

BALDOR® • **RELIANCE**

Product Information Packet

IDDRPM404006R1

400HP, 1175/2000RPM, 460V, 3PH, DPGFV, RL4034

Part Detail							
Revision:	-	Status:	PRD/A	Change #:		Proprietary:	No
Type:	AC	Prod. Type:		Elec. Spec:	L6220A	CD Diagram:	422927-001
Enclosure:	DPFV	Mfg Plant:		Mech. Spec:		Layout:	619654-001
Frame:	RL4034	Mounting:	F1	Poles:	04	Created Date:	04-09-2015
Base:		Rotation:	R	Insulation:	H	Eff. Date:	04-13-2015
Leads:						Replaced By:	
Literature:		Elec. Diagram:					

Parts List		
Part Number	Description	Quantity
WS286590	WS P40R1330	1.000 EA
RA282822	RA P40R1330	1.000 EA
000613006MY	NP-RPMAC INVERTER DUTY	1.000 EA
000692000FP	NP, WARNING LIFT INSTRUCTIONS	1.000 EA
000692000VD	LABEL WARNING	1.000 EA
418057747A	METAL FASTENER	8.000 EA
422927001	C/D LABEL	1.000 EA
004824015A	GREASE POLYREX EM	0.900 LB
034690002AL	1/4 SQ.HD.PIPE PLUG	1.000 EA
034690002AL	1/4 SQ.HD.PIPE PLUG	1.000 EA
035000001A	ALFTG 1/8" 1610-BL	1.000 EA
035000001A	ALFTG 1/8" 1610-BL	1.000 EA
036100090KA	HSHCS SHAFT BLOCK	4.000 EA
036100090KA	HSHCS SHAFT BLOCK	4.000 EA
036140001F	M30-3.5 X 45MM EYEBOLT	2.000 EA
036500013AB	HX NUT,ODE BRKT	4.000 EA
036500013AB	HX NUT,ODE BRKT	4.000 EA
418150003A	GREASE FITTING CAP	2.000 EA
419912001B	W WASHER	1.000 EA
602018077A	DRAIN	1.000 EA
602018077A	DRAIN	1.000 EA
609830005ACM	TBOLT	2.000 EA
609830005ACX	STUD,FRAME,FL4034	2.000 EA
708532016A	AIR BAFFLE	1.000 EA

Parts List (continued)		
Part Number	Description	Quantity
807532003AA	BRKT,RL400	1.000 EA
807532004AA	BRKT,RL400	1.000 EA
000613006NT	NAME PLATE IEC	1.000 EA
032018004DK	HHCS,DRIP COVER	4.000 EA
032018006CK	HHCS 3/8-16X3/4L PLATED	4.000 EA
034017014AB	LCKW 3/8 STD. PLATED	4.000 EA
036000012JB	M8-1.25 X 12MM HXHDC	3.000 EA
036000016HD	HXHCS	8.000 EA
036000020JB	HHCS M8-1.25X20L PLTD-250	6.000 EA
036000020JD	HHCS M8X20MM LONG 304S.S	5.000 EA
036000025JB	HHCS M8X25MM LONG PLATED	4.000 EA
036000055KB	M10-1.5 X 55MM HHCS	4.000 EA
036600008AD	FLTWSHR,T BLK SPT	8.000 EA
036620010AB	M10 EXT. TOOTH LK WASHER	1.000 EA
417733036C	GASKT,C/BOX BACKPLATE,REF 706310063B	1.000 EA
410978010F	FLANGE, INLET BLOWER HSG	1.000 EA
410978015A	GRILL, INLET FLANGE	1.000 EA
415000103E	T/LUG #4AWG-1/0AWG W/HOLE FOR .375 BOLT	1.000 EA
417733004G	GASKT	2.000 EA
417733013B	GASKT (REK P/N 189486)	1.000 EA
417733014C	GASKT (REK P/N 187215)	1.000 EA
418014014T	ADAPT,C/BOX	1.000 EA
418018074A	GROUND LABEL G100 METRIC 160 D.C.	1.000 EA
418057256C	HHCS M10 25MM 440 IEC	1.000 EA

422919133	CVRKT BE	1.000 EA
422919133	CVRKT BE	1.000 EA
422919137	CVRKT BE	1.000 EA
422919137	CVRKT BE	1.000 EA
422919418	HHCVR,RL400	1.000 EA
610490001BW	3//2.5HP,3450//2850RPM,3PH,60//50HZ,145T	1.000 EA
611917002P	GASKT C400	1.000 EA
611965001E	BLOWER WHEEL	1.000 EA
613439048A	C/BOX,ADAPT,BACKPLATE	1.000 EA
706305301A	GUARD, SHAFT	1.000 EA
706310058B	CBCVR(REK P/N 187296)	1.000 EA
706310059C	ADAPT	1.000 EA
706310063B	CBOX (REK)	1.000 EA
706313062B	BLHSG FE MTG C400	1.000 EA
000640000P	TAG WINDING THERMOST	1.000 EA
004824007K	SPECIAL PAINT	0.300 EA
034180046KA	KEY 7/8X7/8X5-3/4L	1.000 EA
418018116	WARNING PLATE	1.000 EA

REL S.O.	-	VOLTS	460	ENCLOSURE	DPFV	WYE	CONN EQ	CKT OHMS	PER PHASE
FRAME	L4034	AMPS	460	MAX SAFE RPM	3750	(AT BASE RATING, 25 °C)			
HP	400	DUTY	CONT	IM (AMPS)	130	R1	.0107	X1	.0686
BASE SPEED	1175	S.F.	1.0	P.F. @NL/FL	.043/.891	R2	.00767	X2	.0660
PHASE/HERTZ	3/40	AMB °C/INSUL	40/H	WK ² (lb-ft ²)	73			XM	2.10


RATED FULL LOAD DATA

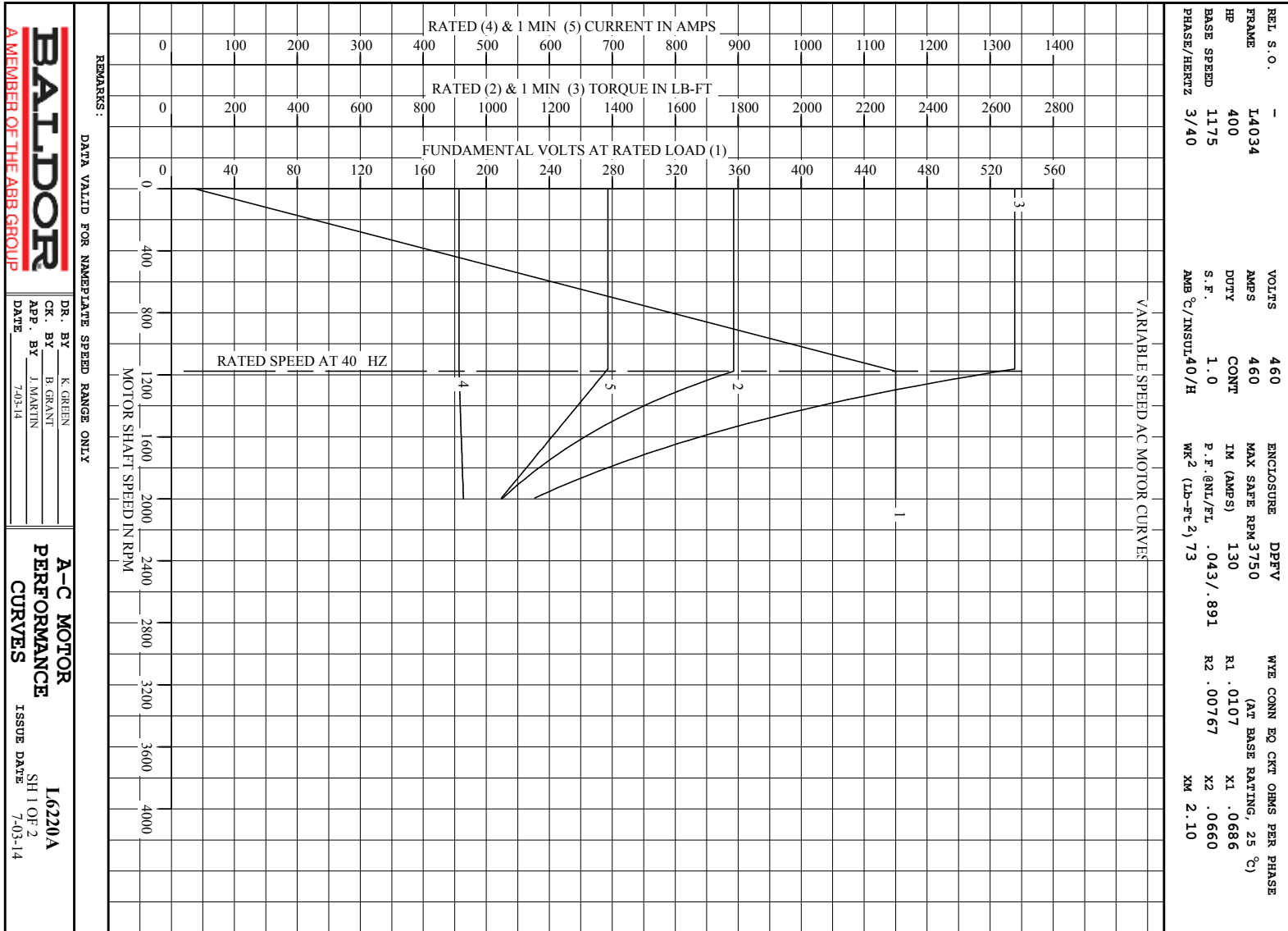
	RPM	HP	TORQUE LB-FT	FUND VOLTS	FREQ-HZ	AMPS
BASE SPEED	1177	400	1785	460	40	457
MAX SPEED	2002	400	1049	460	68.2	464
MIN SPEED	0	0	1785	14.8	.770	457

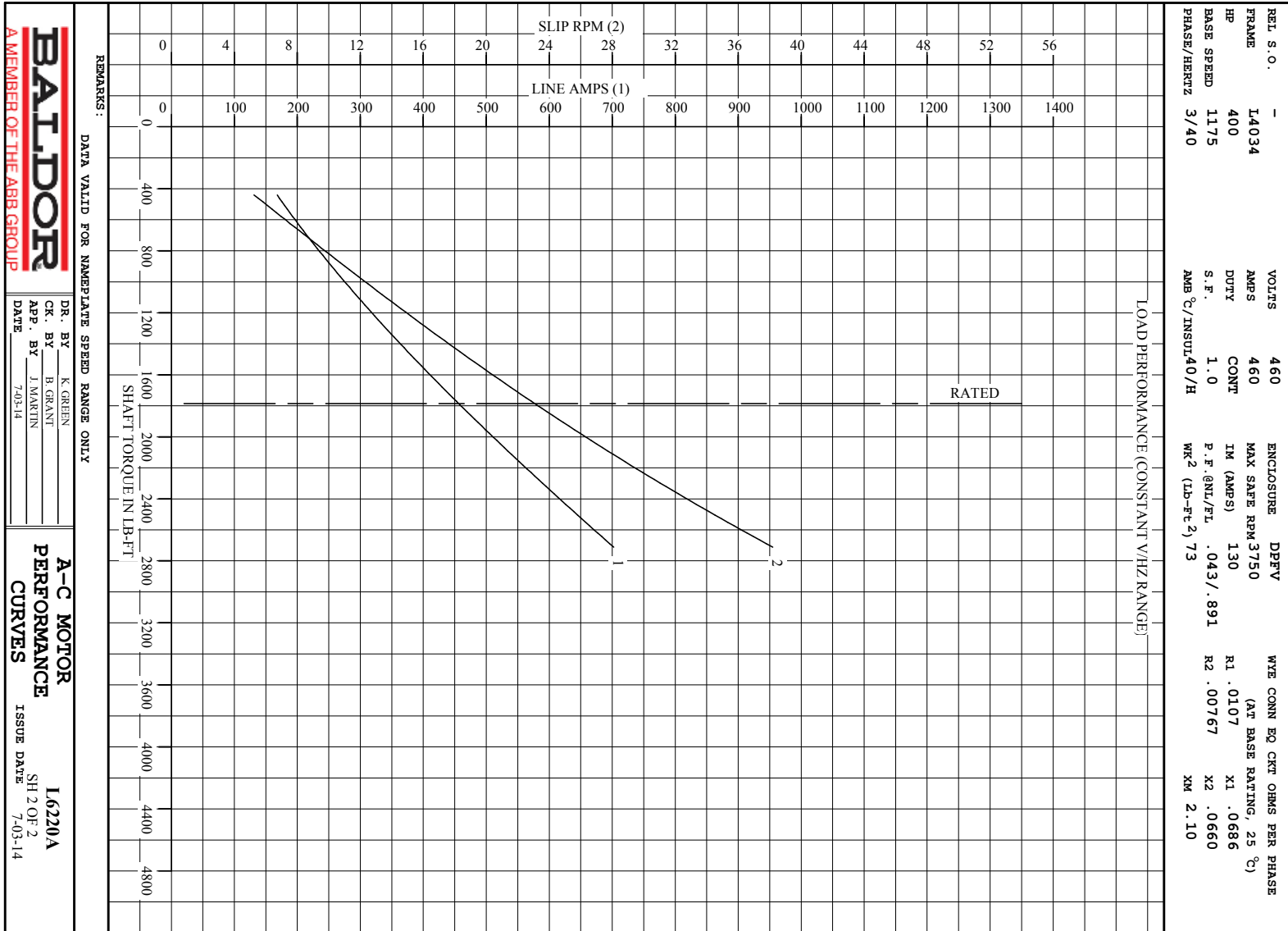
LOAD PERFORMANCE AT BASE SPEED

	RPM	HP	TORQUE LB-FT	FUND VOLTS	FREQ-HZ	AMPS
NO LOAD	1200	0	0	460	40	127
1/4	1195	100	440	460	40	168
1/2	1189	200	883	460	40	250
3/4	1183	300	1331	460	40	348
FULL LOAD	1177	400	1785	460	40	457
O/L	1162	593	2678	460	40	693

REMARKS :

 <p>A MEMBER OF THE ABB GROUP</p>	DR. BY	K. GREEN	<p>A-C MOTOR PERFORMANCE DATA</p> <p>ISSUE DATE 7-03-14</p>
	CR. BY	B. GRANT	
	APP. BY	J. MARTIN	
	DATE	7-03-14	

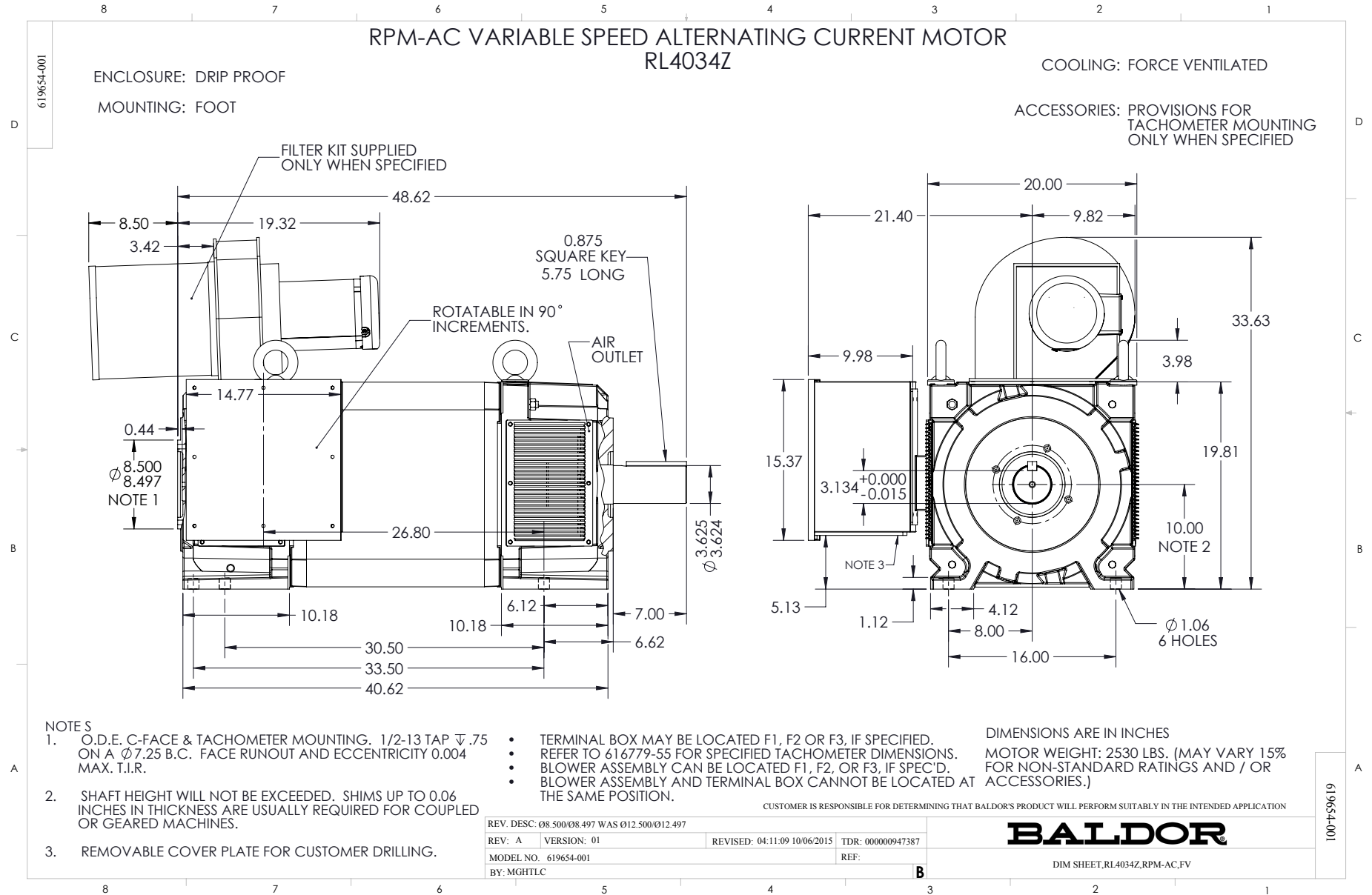




BALDOR
A MEMBER OF THE ABB GROUP

DR. BY K GREEN
 CR. BY B GRANT
 APP. BY J MARTIN
 DATE 7-03-14

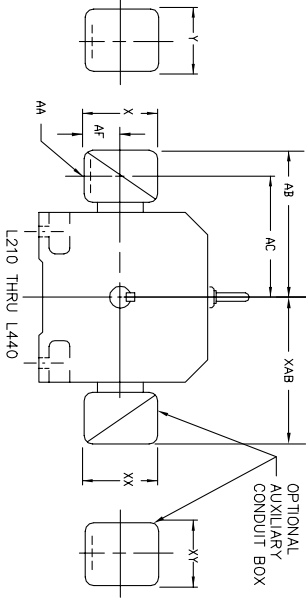
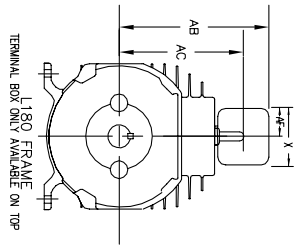
A-C MOTOR
PERFORMANCE
CURVES
 I6220A
 SH 2 OF 2
 ISSUE DATE 7-03-14



616779-001

RPM AC INDUSTRIAL ALTERNATING CURRENT MOTORS

STEEL, CAST IRON, MILL AND TERMINAL BOARD CONDUIT BOX DIMENSIONS
NEMA FRAMES L180 thru L440 and IEC FRAMES DL112 thru DL280



DIMENSIONS ARE IN INCHES (mm)

STEEL TERMINAL BOX DIMENSIONS (MAXIMUM)						CAST IRON TERMINAL BOX DIMENSIONS (MAXIMUM)					
FRAME SIZE	MAX AMPS	AK(1)	AB	AC	AF	STANDARD SIZE	MAX AMPS	AK(2)	AB	AC	AF
L180	40	1.38	8.62	6.94	2.25	4.50	60	1	9.38	7.50	2.50
L210	75	2.12	9.38	7.50	2.81	5.62	140	3	14.25	10.50	3.62
L250	160	4.14	14.62	10.50	5.38	10.56	210	4	15.62	11.38	4.12
L300	305	8.44	21.00	15.88	6.50	12.10	510	5	18.50	13.25	7.00
L360	500	13.75	31.12	22.81	9.00	16.62	800	6	22.12	15.00	9.25
L400	590	15.50	34.31	25.38	10.56	18.50	1050	7	24.12	16.88	10.50
L440	660	17.25	37.50	27.81	12.10	20.00	1400	8	26.12	18.50	12.00
L480	750	19.00	40.69	30.38	13.64	21.50	1800	9	28.12	20.00	13.50
L500	800	20.00	42.12	31.88	14.12	22.50	2100	10	29.12	21.00	14.50
L560	1000	24.12	50.00	37.50	17.00	26.50	2500	11	31.12	23.00	16.00
L600	1100	25.38	52.12	38.62	17.50	27.50	3000	12	33.12	24.00	17.00
L660	1250	27.50	56.25	41.25	18.50	29.00	3600	13	35.12	25.00	18.00
L700	1400	29.00	59.38	42.81	19.00	30.00	4200	14	37.12	26.00	19.00
L760	1600	31.12	63.50	45.38	20.00	31.50	4800	15	39.12	27.00	20.00
L800	1750	32.62	65.62	46.88	20.50	32.50	5400	16	41.12	28.00	21.00
L880	2000	35.38	70.62	50.00	22.00	34.50	6000	17	43.12	29.00	22.00
L960	2250	37.50	74.75	52.50	23.00	36.00	6600	18	45.12	30.00	23.00
L1000	2400	38.62	76.25	53.81	23.50	36.50	7200	19	46.12	31.00	23.50
L1100	2700	41.25	81.25	56.88	25.00	38.50	8000	20	48.12	32.00	24.50
L1200	3000	43.75	86.25	59.88	26.00	39.50	9000	21	50.12	33.00	25.50
L1300	3300	46.25	91.25	62.88	27.00	40.50	10000	22	52.12	34.00	26.50
L1400	3600	48.75	96.25	65.88	28.00	41.50	11000	23	54.12	35.00	27.50
L1500	3900	51.25	101.25	68.88	29.00	42.50	12000	24	56.12	36.00	28.50
L1600	4200	53.75	106.25	71.88	30.00	43.50	13000	25	58.12	37.00	29.50
L1800	4800	58.75	116.25	76.88	32.00	45.50	15000	27	62.12	39.00	31.50
L2000	5400	63.75	126.25	81.88	34.00	47.50	17000	29	66.12	41.00	33.50
L2200	6000	68.75	136.25	86.88	36.00	49.50	19000	31	70.12	43.00	35.50
L2400	6600	73.75	146.25	91.88	38.00	51.50	21000	33	74.12	45.00	37.50
L2600	7200	78.75	156.25	96.88	40.00	53.50	23000	35	78.12	47.00	39.50
L2800	7800	83.75	166.25	101.88	42.00	55.50	25000	37	82.12	49.00	41.50
L3000	8400	88.75	176.25	106.88	44.00	57.50	27000	39	86.12	51.00	43.50
L3200	9000	93.75	186.25	111.88	46.00	59.50	29000	41	90.12	53.00	45.50
L3400	9600	98.75	196.25	116.88	48.00	61.50	31000	43	94.12	55.00	47.50
L3600	10200	103.75	206.25	121.88	50.00	63.50	33000	45	98.12	57.00	49.50
L3800	10800	108.75	216.25	126.88	52.00	65.50	35000	47	102.12	59.00	51.50
L4000	11400	113.75	226.25	131.88	54.00	67.50	37000	49	106.12	61.00	53.50
L4200	12000	118.75	236.25	136.88	56.00	69.50	39000	51	110.12	63.00	55.50
L4400	12600	123.75	246.25	141.88	58.00	71.50	41000	53	114.12	65.00	57.50
L4600	13200	128.75	256.25	146.88	60.00	73.50	43000	55	118.12	67.00	59.50
L4800	13800	133.75	266.25	151.88	62.00	75.50	45000	57	122.12	69.00	61.50
L5000	14400	138.75	276.25	156.88	64.00	77.50	47000	59	126.12	71.00	63.50

FRAME SIZE		MAX AMPS	AK	AB	AC	AF	STANDARD SIZE	MAX AMPS	AK	AB	AC	AF
L210	160	160	(3)	10.78	8.41	3.50	8.00	8.00	8.00	8.00	8.00	8.00
L250	160	160	(3)	11.84	9.47	3.50	8.00	8.00	8.00	8.00	8.00	8.00
L280	160	160	(3)	12.75	10.75	3.50	8.00	8.00	8.00	8.00	8.00	8.00
L320	590	590	(3)	14.75	11.34	4.50	16.00	16.00	16.00	16.00	16.00	16.00
L360	590	590	(3)	15.47	12.06	4.50	16.00	16.00	16.00	16.00	16.00	16.00
L400	590	590	(3)	16.00	12.06	4.50	16.00	16.00	16.00	16.00	16.00	16.00
L440	1260	1260	(3)	27.38	19.88	6.06	18.50	18.50	18.50	18.50	18.50	18.50

FRAME NEMA/IEC		AMP'S	AA	AB	AC	AF	STANDARD SIZE	MAX AMPS	AK	AB	AC	AF
L180/UL112	85	(4)	9.38(239)	7.50(191)	2.81(72)	5.62(143)	60	1	9.38	7.50	2.50	5.00
L210/UL132	100	--	10.77(274)	9.04(230)	3.74(95)	7.48(190)	140	3	14.25	10.50	3.62	8.00
L250/UL160	160	--	11.63(296)	9.62(245)	4.41(112)	8.82(224)	210	4	15.62	11.38	4.12	9.50
L300/UL180	100	--	12.09(307)	10.36(264)	3.74(95)	7.48(190)	510	5	18.50	13.25	7.00	12.75
L360/UL200	160	--	12.95(329)	10.94(278)	4.41(112)	8.82(224)	800	6	22.12	15.00	9.25	15.00
L400/UL250	160	--	13.58(345)	11.57(294)	4.41(112)	8.82(224)	1050	7	24.12	16.88	10.50	17.00
L440/UL280	1260	--	19.09(485)	14.37(365)	6.20(158)	14.39(366)	1800	9	28.12	20.00	13.50	21.00
L480/UL300	800	--	20.06(510)	17.53(446)	6.20(158)	14.39(366)	2100	10	29.12	21.00	14.50	22.00
L500/UL160	100	--	12.09(307)	10.36(264)	3.74(95)	7.48(190)	510	5	18.50	13.25	7.00	12.75
L560/UL180	160	--	13.58(345)	11.57(294)	4.41(112)	8.82(224)	800	6	22.12	15.00	9.25	15.00
L600/UL200	400	--	13.09(333)	11.37(288)	4.41(112)	8.82(224)	1050	7	24.12	16.88	10.50	17.00
L660/UL225	800	--	20.06(510)	17.53(446)	6.20(158)	14.39(366)	1400	8	26.12	18.50	13.50	21.00
L700/UL250	800	--	20.78(528)	18.25(464)	6.20(158)	14.39(366)	1600	9	27.12	19.50	14.50	22.00
L760/UL280	1260	--	25.94(659)	18.44(468)	6.06(154)	18.50(470)	1850	10	28.12	20.00	15.00	22.50
L800/UL280	1260	--	27.38(696)	19.88(505)	6.06(154)	18.50(470)	2100	11	29.12	21.00	16.00	23.00
L880/UL280	1300	--	30.38(772)	21.38(543)	12.44(316)	24.00(610)	2400	12	31.12	22.00	17.00	24.00

FRAME SIZE	YAB	XY	PART NUMBER	FRAME SIZE	XAB	XY	PART NUMBER
L210/UL132	8.44	4.25	602007-56-A	L210/UL132	10.88	8.00	706310-3-B
L250/UL160	9.12	4.25	602007-56-A	L250/UL160	11.88	8.00	706310-3-B
L280/UL180	9.12	4.25	602007-56-A	L280/UL180	12.62	8.00	706310-3-B
L300/UL200	10.00	4.25	602007-56-A	L300/UL200	13.50	8.00	706310-3-B
L360/UL225	11.00	4.25	602007-56-A	L360/UL225	14.50	8.00	706310-3-B
L400/UL250	12.00	4.25	602007-56-A	L400/UL250	15.50	8.00	706310-3-B
L440/UL280	13.12	4.25	602007-56-A	L440/UL280	16.62	8.00	706310-3-B

(1) *AF CONDUIT.
(2) *AF PIPE TAP.
(3) *CUSTOMER TO PROVIDE
(4) 2" DN -5A OR 1" TAP DN -4C
CONDUIT BOX CAN BE ROTATED
360°. CONDUIT BOX MAY BE
LOCATED FL, F2 OR F3 AS
SPECIFIED

100-6671919

CUSTOMER IS RESPONSIBLE FOR DETERMINING THAT BALDOR'S PRODUCT WILL PERFORM SUITABLY IN THE INTENDED APPLICATION.

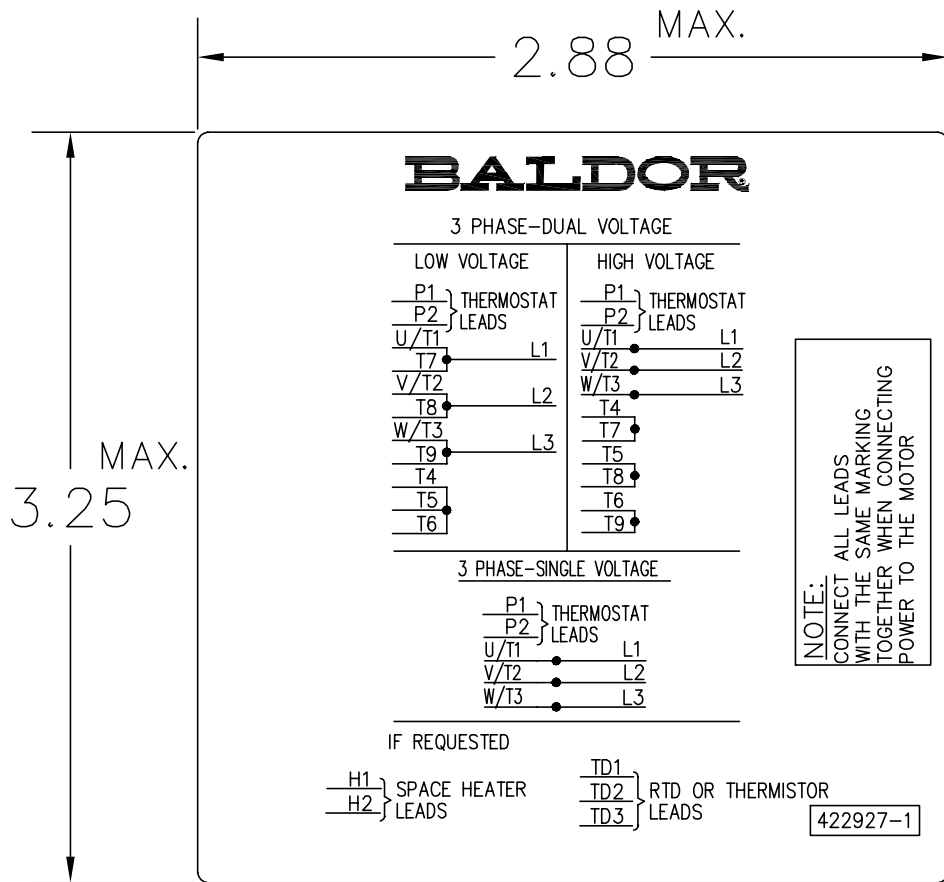
REV. DESC: ADD 1260 AMP L400, ADD 1300 AMP L440	VERSION: 01	TDR: 000000B04459
REV. LTR: A	REVISED: 10: 23: 58 06/18/2013	BY: RGGWT
FILE: \RGG\00003\688		
MTL: -		

BALDOR

DIM SHT NEMA L180 THRU L440 & IEC DL112 THRU DL280

SH 1 of 1

422927-001



NOTE:
DATA TO BE SIZED
SO THAT IT FITS INTO
MATERIAL DECAL
DIMENSIONS. MAKE
LETTERS & NUMBERS
AS LARGE AS POSSIBLE.

MATERIAL: CERAMATIC DGF-P4
PERMA GRIP ADHESIVE

ALL LETTERS, NUMBERS
AND LINES TO BE BLACK
ON WHITE BACKGROUND.

422927-001

REV. DESC: CHANGE BACKGROUND COLOR FROM GOLD TO WHITE		
REV. LTR: B	VERSION: 02	TDR: 000000788708
FILE: \RGG\00000\203	REVISED: 08:09:29 03/04/2013	
MTL: -	BY: RGGWT	

BALDOR

EXTERNAL CONNECTION LABEL

SH 1 of 1

Marketing maintained PDF of MN406:

<http://www.baldor.com/support/Literature/Load.ashx/MN406?ManNumber=MN406>