

BALDOR® • ***RELIANCE***

Product Information Packet

L3510M

1HP, 1725RPM, 1PH, 60HZ, 56/56H, 3524L, TEFC

Part Detail							
Revision:	AE	Status:	PRD/A	Change #:		Proprietary:	No
Type:	AC	Prod. Type:	3524L	Elec. Spec:	35WGY191	CD Diagram:	CD0269
Enclosure:	TEFC	Mfg Plant:		Mech. Spec:	35J527	Layout:	35LYJ527
Frame:	56/56H	Mounting:	F1	Poles:	04	Created Date:	
Base:	RG	Rotation:	R	Insulation:	B	Eff. Date:	07-22-2015
Leads:	4#16 A&J,2#18 B PH,1#14 #4TH					Replaced By:	
Literature:		Elec. Diagram:					

Nameplate NP1257L	
CAT.NO.	L3510M
SPEC.	35J527Y191
HP	1
VOLTS	115/230
AMP	13/6.5
RPM	1725
FRAME	56/56H
	HZ 60
	PH 1
SER.F.	1.15
	CODE K
	DES L
	CL B
NEMA-NOM-EFF	67
	PF 73
RATING	40C AMB-CONT
CC	USABLE AT 208V 6.8
DE	6205
	ODE 6203
ENCL	TEFC
	SN

Parts List		
Part Number	Description	Quantity
SA025996	SA 35J527Y191	1.000 EA
RA022046	RA 35J527Y191	1.000 EA
EC1645A06SP	ELEC CAP, 645-774 MFD, 125V, 2.06D X 4.	1.000 EA
TP5059	GENERIC THERMAL KIT	1.000 EA
NS2500A02	INSULATOR, MAN THER PROT	1.000 EA
NS2512A01	INSULATOR, CONDUIT BOX X	1.000 EA
35CB3007	35 CB CASTING W/.88 DIA. LEAD HOLE	1.000 EA
36GS1000	GASKET-CONDUIT BOX, .06 THICK #SV-330 LE	1.000 EA
51XB1016A07	10-16 X 7/16 HXWSSLD SERTYB	2.000 EA
11XW1032G06	10-32 X .38, TAPTITE II, HEX WSHR SLTD U	1.000 EA
51XW0832A07	8-32 X .44, TAPTITE II, HEX WSHR SLTD SE	2.000 EA
35EP3100M02	FREP TEFC 203 BRG W/O GRSR (RAISED FH MT	1.000 EA
NS2501A01	INSULATOR, CAPACITOR	1.000 EA
35CB4802A02SP	CAPACITOR COVER, STAMPED X	1.000 EA
35GS3001A02	GASKET, CA.COVER, 5.38 LONG .06 CS301	1.000 EA
51XB1016A05	10-16X5/16HX WA SL SR TYB (F/S)	2.000 EA
HW5100A03SP	WAVY WASHER (W1543-017)	1.000 EA
35EP3101A02SP	STD PU ENDPLATE-ENCL-205 BRG LESS GREASE	1.000 EA
XY1032A02	10-32 HEX NUT DIRECTIONAL SERRATION	4.000 EA
35FN3002A05	EXFN, PLASTIC, 6.376 OD, .638 ID	1.000 EA
51XB1214A16	12-14X1.00 HXWSSLD SERTYB	1.000 EA
51XB1214A16	12-14X1.00 HXWSSLD SERTYB	1.000 EA
51XW1032A06	10-32 X .38, TAPTITE II, HEX WSHR SLTD S	3.000 EA
35CB4521GX	CONDUIT BOX LID KIT	1.000 EA

Parts List (continued)		
Part Number	Description	Quantity
51XW0832A07	8-32 X .44, TAPTITE II, HEX WSHR SLTD SE	4.000 EA
HW2501D13	KEY, 3/16 SQ X 1.375	1.000 EA
HA7000A04	KEY RETAINER 0.625 DIA SHAFTS	1.000 EA
85XU0407S04	4X1/4 U DRIVE PIN STAINLESS	2.000 EA
WD1000A15	3-520132-2 AMP FLAG (4M/RL NON-CANC/NON-	2.000 EA
MJ1000A02	GREASE, POLYREX EM EXXON (USe 4824-15A)	0.050 LB
35FH4005A32SP	IEC FH NO GRSR W/3 HOLES - PRIMED	1.000 EA
MG1000G27	MED CHARCOAL METALLIC GREY 400-0096	0.017 GA
HA3100A18	THRUBOLT 10-32 X 9.250	4.000 EA
SP5051A24	MODEL 35 TORQ STATIONARY SWITCH FOR "L"	1.000 EA
LB1119N	WARNING LABEL	1.000 EA
LB1087	LABEL,MANUAL RESET (ROLL LABEL)	1.000 EA
LC0269	1PH,DV,REV,THERMAL,7 LD,L.AMP THRU HTR H	1.000 EA
NP1257L	ALUM UL CSA CC THERMAL REV MTG	1.000 EA
36PA1000	PKG GRP, PRINT PK1016A06	1.000 EA
MN416A01	TAG-INSTAL-MAINT no wire (1200/bx) 11/14	1.000 EA

Accessories		
Part Number	Description	Multiplier
35-8762	C FACE KIT	A8
35EP1506A01SP	D-FLANGE KIT	A8

AC Induction Motor Performance Data

Record # 10162 - Typical performance - not guaranteed values

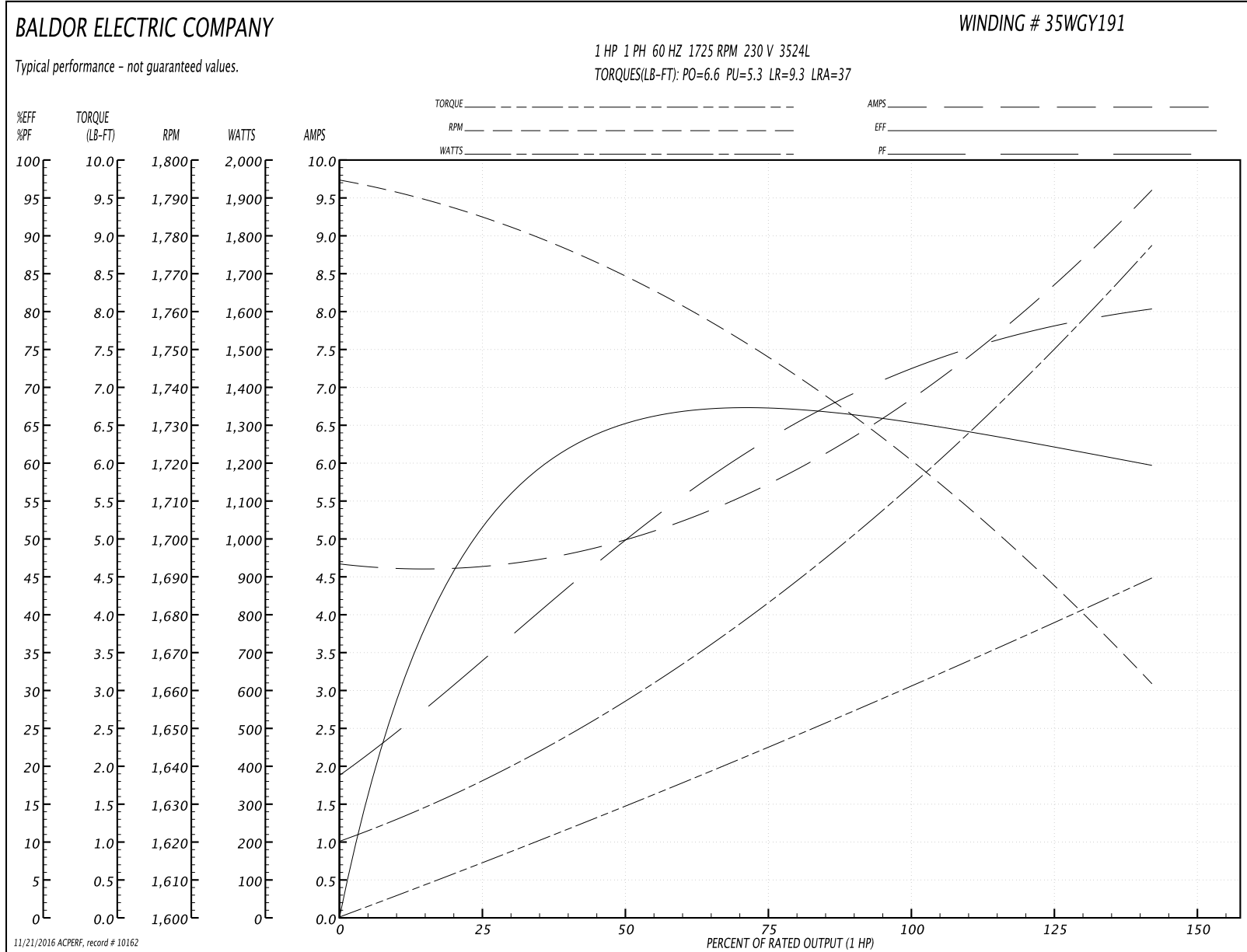
Winding: 35WGY191-R001	Type: 3524L	Enclosure: TEFC
-------------------------------	--------------------	------------------------

Nameplate Data				230 V, 60 Hz: High Voltage Connection	
Rated Output (HP)	1			Full Load Torque	3 LB-FT
Volts	115/230			Start Configuration	direct on line
Full Load Amps	13/6.5			Breakdown Torque	6.6 LB-FT
R.P.M.	1725			Pull-up Torque	5.3 LB-FT
Hz	60	Phase	1	Locked-rotor Torque	9.3 LB-FT
NEMA Design Code	L	KVA Code	K	Starting Current	37 A
Service Factor (S.F.)	1.15			No-load Current	4.6 A
NEMA Nom. Eff.	67	Power Factor	73	Line-line Res. @ 25°C	2.76 Ω A Ph 1.86 Ω B Ph
Rating - Duty	40C AMB-CONT			Temp. Rise @ Rated Load	76°C
S.F. Amps				Temp. Rise @ S.F. Load	92°C

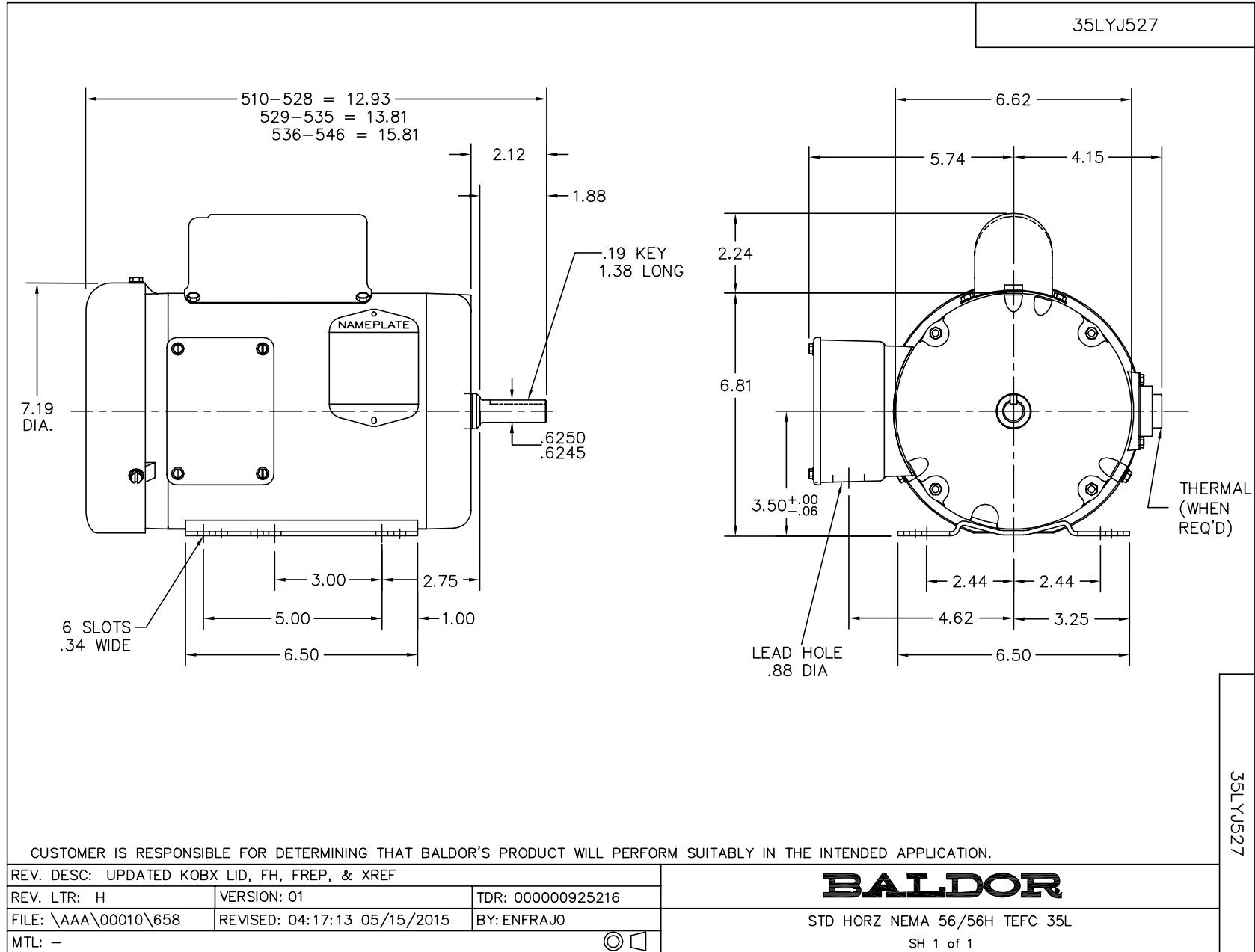
Load Characteristics 230 V, 60 Hz, 1 HP

% of Rated Load	25	50	75	100	125	150	S.F.
Power Factor	37	53	65	73	78	82	76
Efficiency	51.1	63	66.8	66.6	63.9	58.9	65
Speed	1781	1766	1749	1725	1697	1658	1708
Line amperes	4.7	5.1	5.7	6.7	8	9.7	7.5

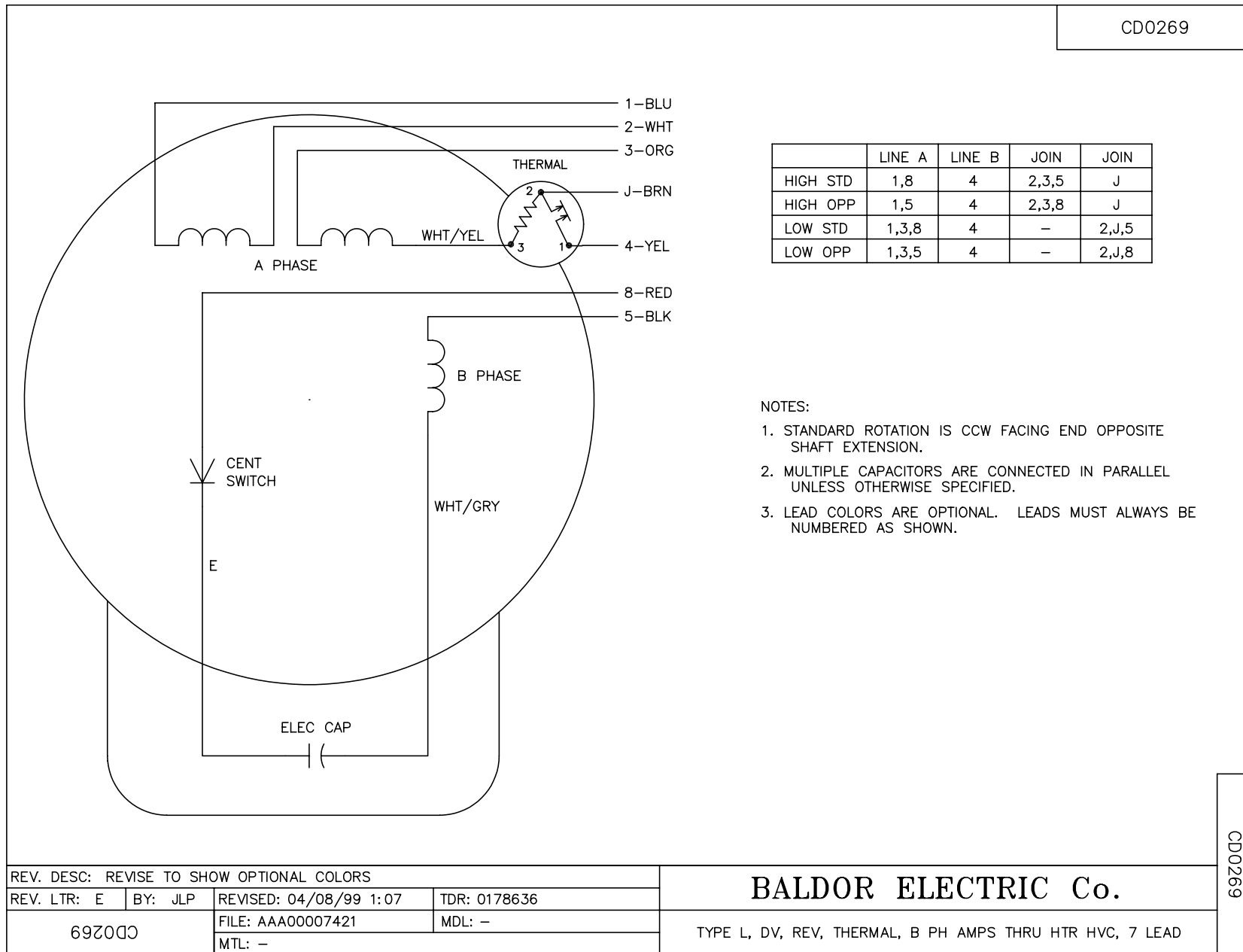
Performance Graph at 230V, 60Hz, 1.0HP Typical performance - Not guaranteed values



11/21/2016 ACPERF, record # 10162



CD0269



NOTES:

1. STANDARD ROTATION IS CCW FACING END OPPOSITE SHAFT EXTENSION.
2. MULTIPLE CAPACITORS ARE CONNECTED IN PARALLEL UNLESS OTHERWISE SPECIFIED.
3. LEAD COLORS ARE OPTIONAL. LEADS MUST ALWAYS BE NUMBERED AS SHOWN.

REV. DESC: REVISE TO SHOW OPTIONAL COLORS			
REV. LTR: E	BY: JLP	REVISED: 04/08/99 1:07	TDR: 0178636
692000		FILE: AAA00007421	MDL: -
		MTL: -	

BALDOR ELECTRIC Co.

TYPE L, DV, REV, THERMAL, B PH AMPS THRU HTR HVC, 7 LEAD

CD0269