

BALDOR® • RELIANCE

Product Information Packet

L3513-50

1.5HP,2850RPM,1PH,50HZ,56,3532L,TEFC,F1

Part Detail							
Revision:	AB	Status:	PRD/A	Change #:		Proprietary:	No
Type:	AC	Prod. Type:	3532L	Elec. Spec:	35WGS159	CD Diagram:	CD0001
Enclosure:	TEFC	Mfg Plant:		Mech. Spec:	35T944	Layout:	35LYT944
Frame:	56	Mounting:	F1	Poles:	02	Created Date:	06-22-2007
Base:	RG	Rotation:	R	Insulation:	F	Eff. Date:	07-07-2016
Leads:	4#16 A PH,2#18 B PH					Replaced By:	
Literature:		Elec. Diagram:					

Nameplate NP1372L										
CAT.NO.	L3513-50									
SPEC.	35T944S159G1									
HP	1.5									
VOLTS	110/220									
AMP	18/9									
RPM	2850									
FRAME	56				HZ	50			PH	1
SER.F.	1.15		CODE	D	DES	L		CL	F	
NEMA-NOM-EFF	68		PF	84						
RATING	40C AMB-CONT									
CC									USABLE AT 208V	
DE	6205				ODE	6203				
ENCL	TEFC		SN							
	IP54									

Parts List		
Part Number	Description	Quantity
SA109225	SA 35T944S159G1	1.000 EA
RA100720	RA 35T944S159G1	1.000 EA
EC1645A06SP	ELEC CAP, 645-774 MFD, 125V, 2.06D X 4.	1.000 EA
NS2512A01	INSULATOR, CONDUIT BOX X	1.000 EA
35CB3007	35 CB CASTING W/.88 DIA. LEAD HOLE	1.000 EA
36GS1000	GASKET-CONDUIT BOX, .06 THICK #SV-330 LE	1.000 EA
51XB1016A07	10-16 X 7/16 HXWSSLD SERTYB	2.000 EA
11XW1032G06	10-32 X .38, TAPTITE II, HEX WSHR SLTD U	1.000 EA
51XW0832A07	8-32 X .44, TAPTITE II, HEX WSHR SLTD SE	2.000 EA
35EP3100M02	FREP TEFC 203 BRG W/O GRSR (RAISED FH MT	1.000 EA
NS2501A01	INSULATOR, CAPACITOR	1.000 EA
51XB1016A05	10-16X5/16HX WA SL SR TYB (F/S)	2.000 EA
HW5100A03SP	WAVY WASHER (W1543-017)	1.000 EA
35EP3101A02SP	STD PU ENDPLATE-ENCL-205 BRG LESS GREASE	1.000 EA
XY1032A02	10-32 HEX NUT DIRECTIONAL SERRATION	4.000 EA
51XB1214A16	12-14X1.00 HXWSSLD SERTYB	1.000 EA
51XW1032A06	10-32 X .38, TAPTITE II, HEX WSHR SLTD S	3.000 EA
35GS1030	35 GS FOR CB LID - LEXIDE	1.000 EA
51XW0832A07	8-32 X .44, TAPTITE II, HEX WSHR SLTD SE	4.000 EA
HW2501D13	KEY, 3/16 SQ X 1.375	1.000 EA
HA7000A04	KEY RETAINER 0.625 DIA SHAFTS	1.000 EA
85XU0407S04	4X1/4 U DRIVE PIN STAINLESS	2.000 EA
WD1000A16	2-520128-2 AMP FLAG TERMINAL(4M/RL)	1.000 EA
MJ1000A02	GREASE, POLYREX EM EXXON (USe 4824-15A)	0.050 LB

Parts List (continued)		
Part Number	Description	Quantity
34FN3002A01SP	EXTERNAL FAN, PLASTIC, .637/.639 HUB W/	1.000 EA
35FH4005A32SP	IEC FH NO GRSR W/3 HOLES - PRIMED	1.000 EA
35CB4521	35 LIPPED CB LID (GALV & PHOSPH)	1.000 EA
MG1000G27	MED CHARCOAL METALLIC GREY 400-0096	0.017 GA
SP5055A67	MODEL 35 TYPE L STATIONARY SWITCH	1.000 EA
35CB4802A02SP	CAPACITOR COVER, STAMPED X	1.000 EA
35GS3001A02	GASKET, CA.COVER, 5.38 LONG .06 CS301	1.000 EA
HA3100A22	THRUBOLT 10-32 X 10.125	4.000 EA
HA4067A01	PUSH IN DRAIN FITTING (BLACK)	1.000 EA
HA4067A01	PUSH IN DRAIN FITTING (BLACK)	1.000 EA
MN416A01	TAG-INSTAL-MAINT no wire (1200/bx) 11/14	1.000 EA
LB1119N	WARNING LABEL	1.000 EA
LC0001	CONN LABEL TYPE L, 6 LEAD, DUAL VOLTS, R	1.000 EA
NP1372L	ALUM UL CSA CE CC	1.000 EA
35PA1066	PKG GRP, PRINT PK1008A06	1.000 EA

Accessories		
Part Number	Description	Multiplier
35-8762	C FACE KIT	A8
35EP1506A01SP	D-FLANGE KIT	A8

AC Induction Motor Performance Data

Record # 36626 - Typical performance - not guaranteed values

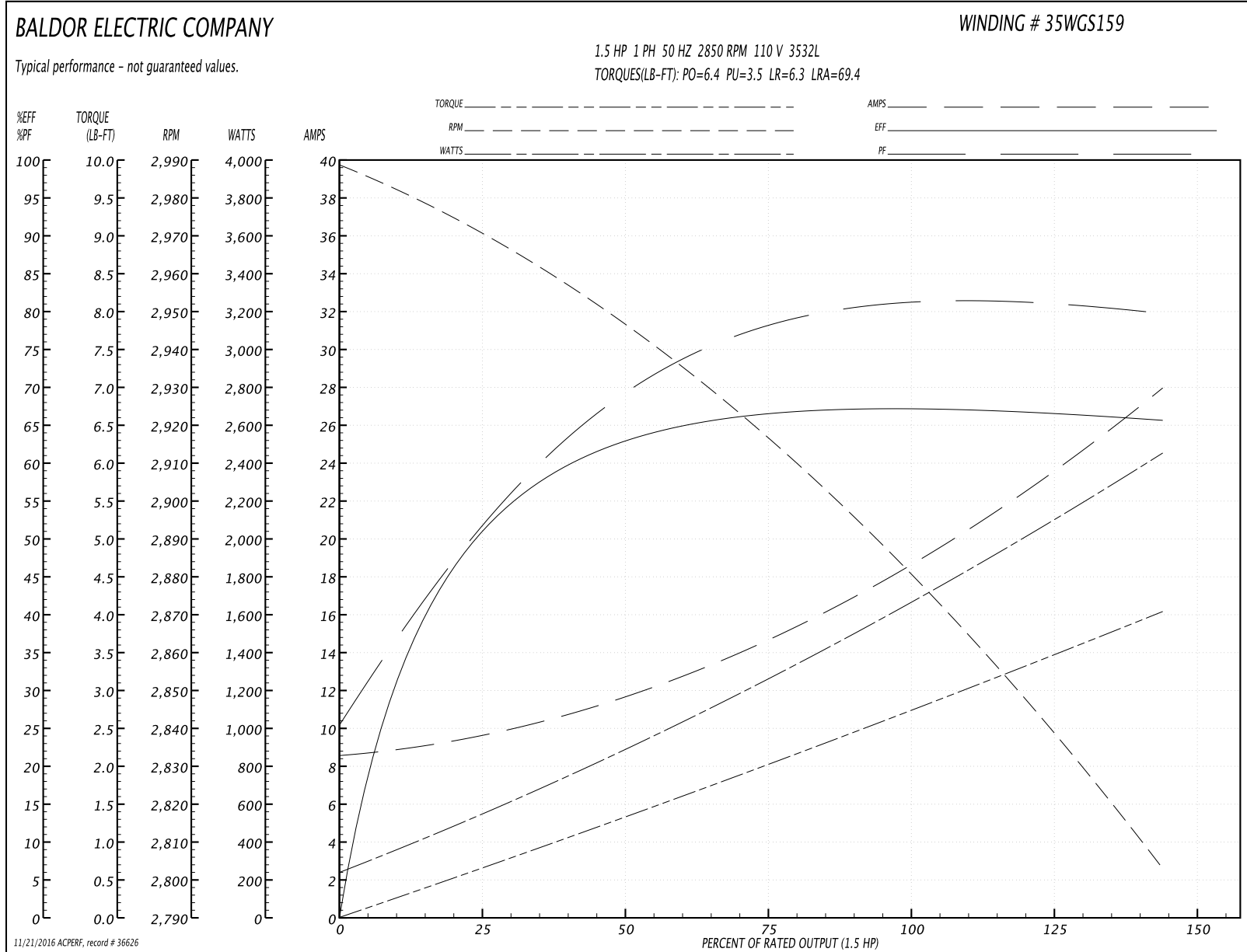
Winding: 35WGS159-R001	Type: 3532L	Enclosure: TEFC
-------------------------------	--------------------	------------------------

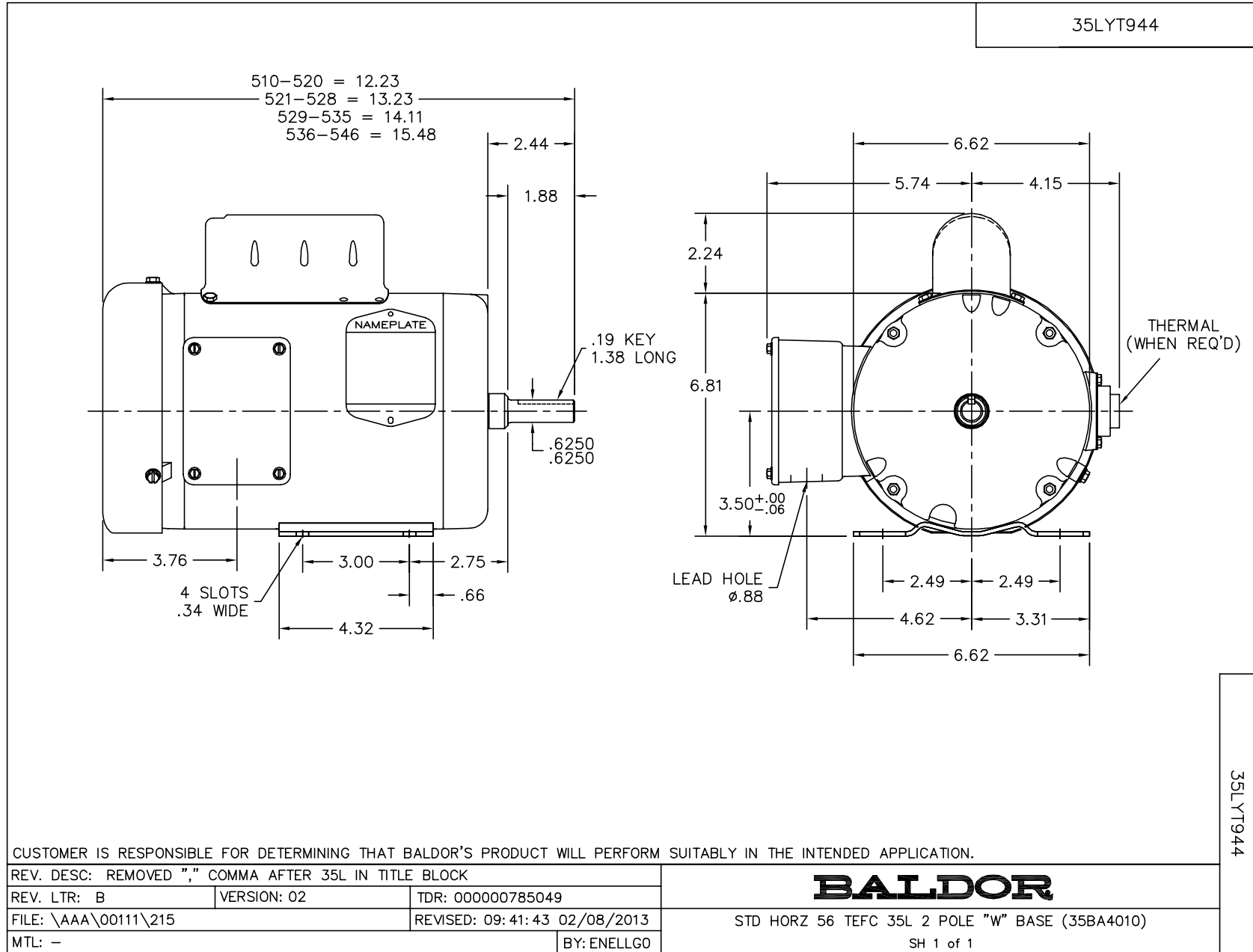
Nameplate Data				110 V, 50 Hz: Low Voltage Connection	
Rated Output (HP)	1.5			Full Load Torque	2.7 LB-FT
Volts	110/220			Start Configuration	direct on line
Full Load Amps	18/9			Breakdown Torque	6.4 LB-FT
R.P.M.	2850			Pull-up Torque	3.5 LB-FT
Hz	50	Phase	1	Locked-rotor Torque	6.3 LB-FT
NEMA Design Code	L	KVA Code	D	Starting Current	69.4 A
Service Factor (S.F.)	1.15			No-load Current	8.4 A
NEMA Nom. Eff.	68	Power Factor	84	Line-line Res. @ 25°C	0.345 Ω A Ph 2.1 Ω B Ph
Rating - Duty	40C AMB-CONT			Temp. Rise @ Rated Load	89°C
S.F. Amps				Temp. Rise @ S.F. Load	104°C

Load Characteristics 110 V, 50 Hz, 1.5 HP

% of Rated Load	25	50	75	100	125	150	S.F.
Power Factor	57	66	77	82	83	79	83
Efficiency	48.3	61.9	66.9	68	67.4	65	67.6
Speed	2968	2944	2916	2885	2847	2800	2862
Line amperes	9.4	12.6	14.8	18	22.2	28.6	20.5

Performance Graph at 110V, 50Hz, 1.5HP Typical performance - Not guaranteed values





CD0001



CD0001

REV. DESC: REVISE TO SHOW OPTIONAL COLORS			
REV. LTR: D	BY: JLP	REVISED: 04/08/99 1:16	TDR: 0178636
100000		FILE: AAA00007405	MDL: -
		MTL: -	

BALDOR ELECTRIC Co.

TYPE L, DV, REV, 6 LEADS