

# **BALDOR**® • ***RELIANCE***

## **Product Information Packet**

# **L5000A**

**.25HP, 1725RPM, 1PH, 60HZ, 56, 3414L, XPFC, F1**

Part Detail							
Revision:	S	Status:	PRD/A	Change #:		Proprietary:	No
Type:	AC	Prod. Type:	3414L	Elec. Spec:	34WGY855	CD Diagram:	CD0565
Enclosure:	XPFC	Mfg Plant:		Mech. Spec:	34-5322	Layout:	34LY5322
Frame:	56	Mounting:	F1	Poles:	04	Created Date:	08-21-2007
Base:	RG	Rotation:	R	Insulation:	B	Eff. Date:	03-04-2016
Leads:	7#18					Replaced By:	
Literature:		Elec. Diagram:					

Nameplate NP0016XPSL	
NO.	<input type="text"/>
SER.	<input type="text"/>
SPEC.	34-5322Y855G1
CAT.NO.	L5000A
HP	.25
VOLTS	115/208-230
AMPS	4.2/2-2.1
RPM	1725
HZ	60
SER.F.	1.00
RATING	40C AMB-CONT
FRAME	56
USABLE AT 208V	<input type="text"/>
BLANK	<input type="text"/>

CC	<input type="text"/>
T. CODE	T3C
PH	1
CL	B
DES	N
CODE	L
NEMA-NOM-EFF	62
PF	64

Parts List		
Part Number	Description	Quantity
SA161761	SA 34-5322Y855G1	1.000 EA
RA150308	RA 34-5322Y855G1	1.000 EA
TPMRG61RX	THERMAL 1PH 0.75 AUT 120C	1.000 EA
EC1130A08SP	ELEC CAP 115V 1.125X2.750 X	1.000 EA
MJ5000A01	SEALANT, CHICO A COMPOUND	0.050 LB
35CB3001A01SP	EXPL CONDUIT BOX, MACH, 1/2" PIPE TAP LE	1.000 EA
11XW1032G06	10-32 X .38, TAPTITE II, HEX WSHR SLTD U	1.000 EA
HW3001B01	BRASS CUP WASHER, FOR #8 SCREW	1.000 EA
51XW0832A07	8-32 X .44, TAPTITE II, HEX WSHR SLTD SE	2.000 EA
34EP3703A01	FR ENDPLATE, MACH XP	1.000 EA
HW4002A02	1-11.5X2LG PIPE NIPPLE (F/S)	1.000 EA
HA1025A13	WSHR,FELT,.38" THICK F-26 CLASS	1.000 EA
HW3021E06	1/8 DIA X 5/8 ROLLPIN (F/S)	1.000 EA
HW5100A03SP	WAVY WASHER (W1543-017)	1.000 EA
34EP3704A01	PU ENDPLATE, MACH XP	1.000 EA
XY3118A12	5/16-18 HEX NUT DIRECTIONAL SERRATION	4.000 EA
34FN3002A01SP	EXTERNAL FAN, PLASTIC, .637/.639 HUB W/	1.000 EA
34FH4002A01SP	IEC FH NO GREASER PRIMED	1.000 EA
51XW1032A06	10-32 X .38, TAPTITE II, HEX WSHR SLTD S	3.000 EA
35CB3500A01SP	CONDUIT BOX LID, MACH	1.000 EA
51XN2520A16	SCREW, HEX WS SLT, ZN, 1/4-20 X 1.00	4.000 EA
HW2501D13	KEY, 3/16 SQ X 1.375	1.000 EA
HA7000A04	KEY RETAINER 0.625 DIA SHAFTS	1.000 EA
NP0018W	ALUM UL XP CONDUIT BOX NAMEPLATE	1.000 EA

<b>Parts List (continued)</b>		
<b>Part Number</b>	<b>Description</b>	<b>Quantity</b>
HA6001A01	THERMAL RETAINER (PLATED)	1.000 EA
12XF0632A06	6-32X3/8 TY F HEX HD SLT	2.000 EA
NS2500A05	INSULATOR, AUTO THER PROT	1.000 EA
MG1025G29	WILKOFASST, 789.229, DARK CHARCOAL GRAY	0.014 GA
85XU0407S04	4X1/4 U DRIVE PIN STAINLESS	6.000 EA
HA6003A52	CLAMP, CAPACITOR, WHITE ZINC PLATED	1.000 EA
51XW0832A07	8-32 X .44, TAPTITE II, HEX WSHR SLTD SE	1.000 EA
WD1000A16	2-520128-2 AMP FLAG TERMINAL(4M/RL)	6.000 EA
SP5036A01	STAT. SWITCH ASSY. MODEL 34 TYPE L OR S	1.000 EA
WD1000A16	2-520128-2 AMP FLAG TERMINAL(4M/RL)	8.000 EA
WD1000A16	2-520128-2 AMP FLAG TERMINAL(4M/RL)	5.000 EA
HA3104A05	THRUBOLT, 5/16-18 X 8.375	4.000 EA
LB1118	LABEL,WARNING (ROLL LABEL)	1.000 EA
LC0008	CONNECTION LABEL	1.000 EA
NP0016XPSL	SS XP UL CSA CC CL-I GP-D CL-II GP-F&G	1.000 EA
35PA1000	PKG GRP, PRINT PK1008A06	1.000 EA

**AC Induction Motor Performance Data**

Record # 36349 - Typical performance - not guaranteed values

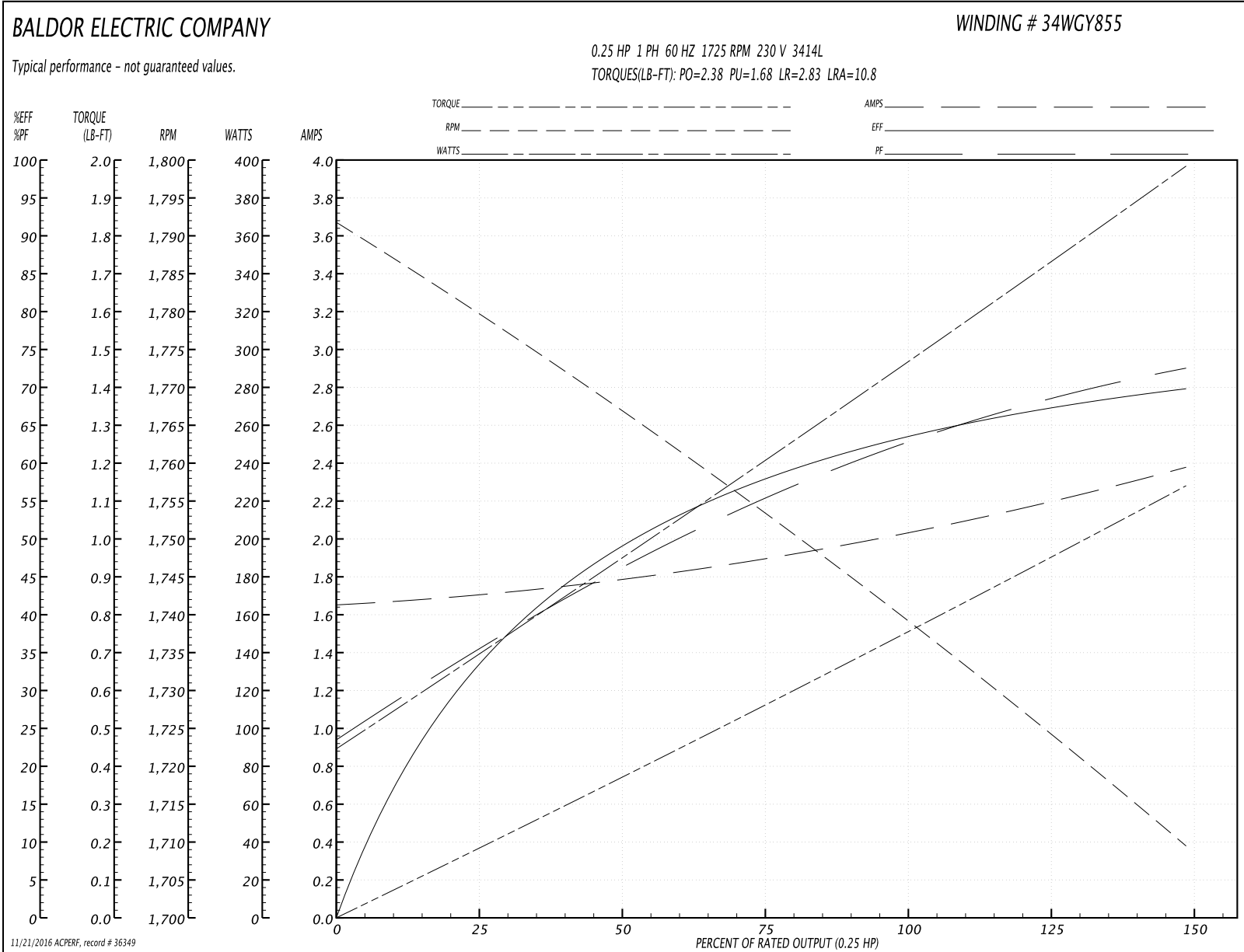
<b>Winding:</b> 34WGY855-R006	<b>Type:</b> 3414L	<b>Enclosure:</b> XPFC
-------------------------------	--------------------	------------------------

Nameplate Data				230 V, 60 Hz: High Voltage Connection	
Rated Output (HP)	.25			Full Load Torque	0.762 LB-FT
Volts	115/208-230			Start Configuration	direct on line
Full Load Amps	4.2/2-2.1			Breakdown Torque	2.38 LB-FT
R.P.M.	1725			Pull-up Torque	1.68 LB-FT
Hz	60	Phase	1	Locked-rotor Torque	2.83 LB-FT
NEMA Design Code	N	KVA Code	L	Starting Current	10.8 A
Service Factor (S.F.)	1			No-load Current	1.67 A
NEMA Nom. Eff.	62	Power Factor	64	Line-line Res. @ 25°C	9.23 Ω A Ph 8.97 Ω B Ph
Rating - Duty	40C AMB-CONT			Temp. Rise @ Rated Load	43°C

Load Characteristics 230 V, 60 Hz, 0.25 HP

% of Rated Load	25	50	75	100	125	150
Power Factor	35	47	54	64	69	72
Efficiency	35.2	50	60.6	61.8	65.7	71.6
Speed	1780	1767	1753	1738	1722	1711
Line amperes	1.69	1.78	1.88	2.07	2.23	2.35

Performance Graph at 230V, 60Hz, 0.25HP Typical performance - Not guaranteed values



**AC Induction Motor Performance Data**

Record # 41431 - Typical performance - not guaranteed values

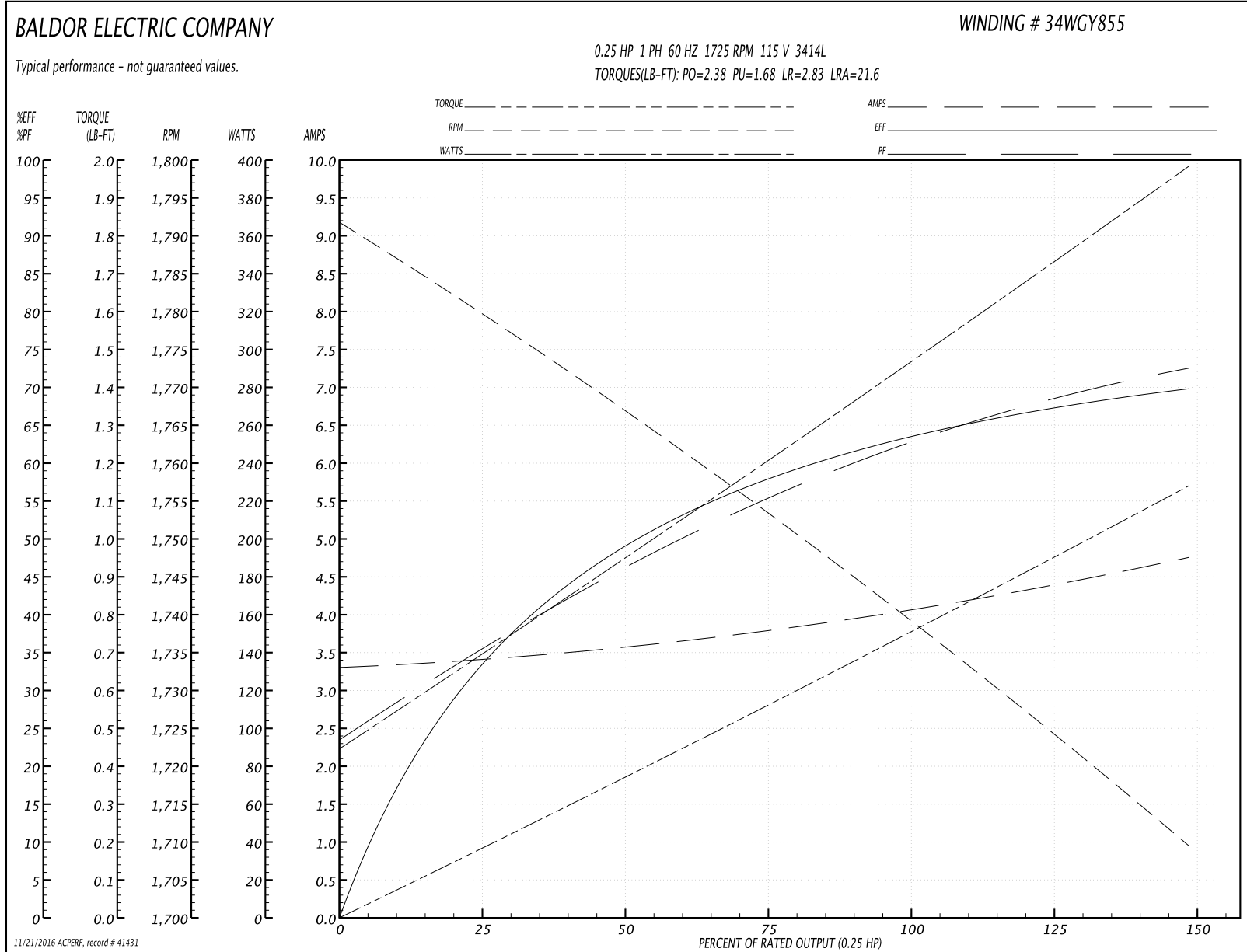
<b>Winding:</b> 34WGY855-R006	<b>Type:</b> 3414L	<b>Enclosure:</b> XPFC
-------------------------------	--------------------	------------------------

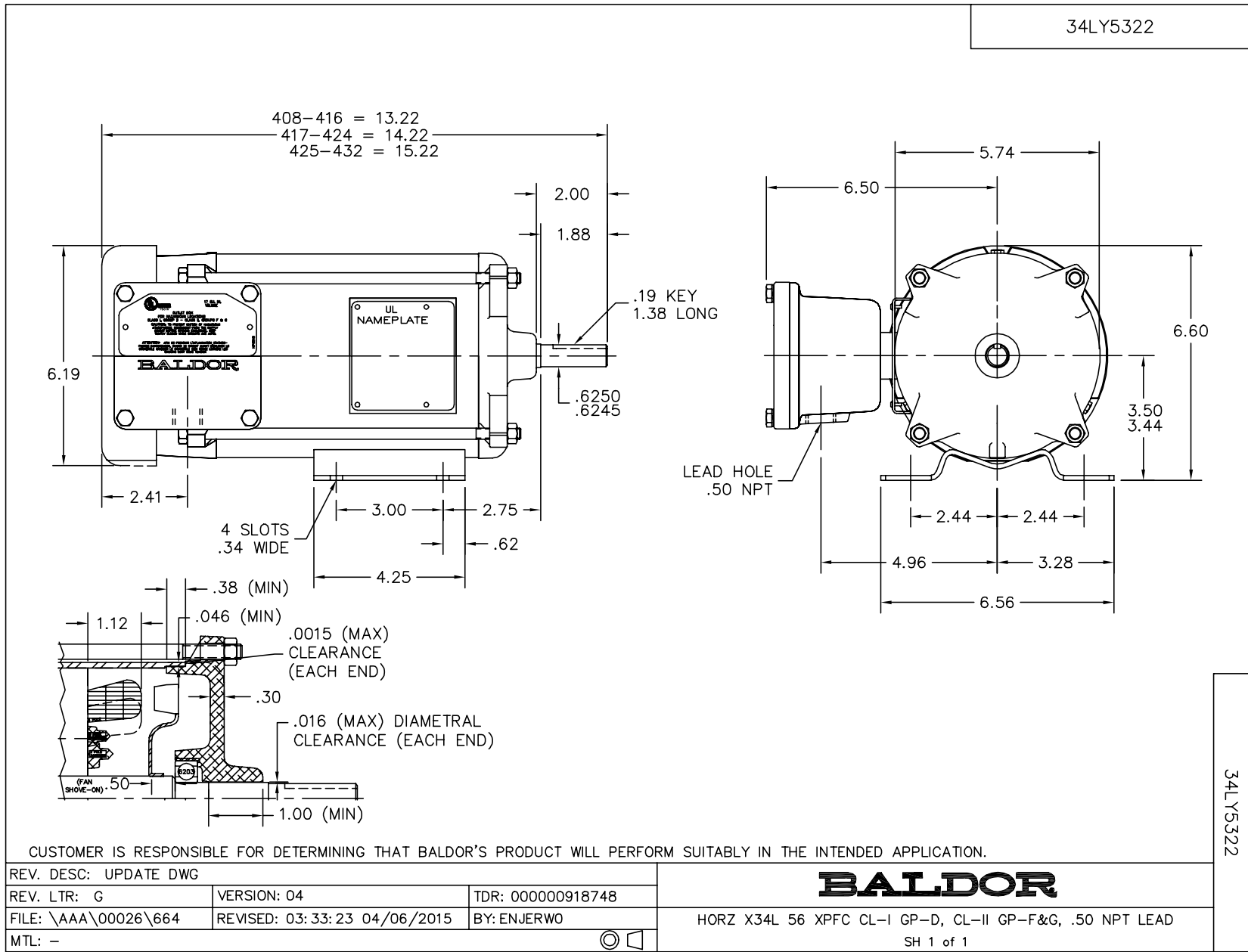
Nameplate Data				115 V, 60 Hz: Low Voltage Connection	
Rated Output (HP)	.25			Full Load Torque	0.762 LB-FT
Volts	115/208-230			Start Configuration	direct on line
Full Load Amps	4.2/2-2.1			Breakdown Torque	2.38 LB-FT
R.P.M.	1725			Pull-up Torque	1.68 LB-FT
Hz	60	Phase	1	Locked-rotor Torque	2.83 LB-FT
NEMA Design Code	N	KVA Code	L	Starting Current	21.6 A
Service Factor (S.F.)	1			No-load Current	3.34 A
NEMA Nom. Eff.	62	Power Factor	64	Line-line Res. @ 25°C	2.22 Ω A Ph 8.87 Ω B Ph
Rating - Duty	40C AMB-CONT			Temp. Rise @ Rated Load	

Load Characteristics 115 V, 60 Hz, 0.25 HP

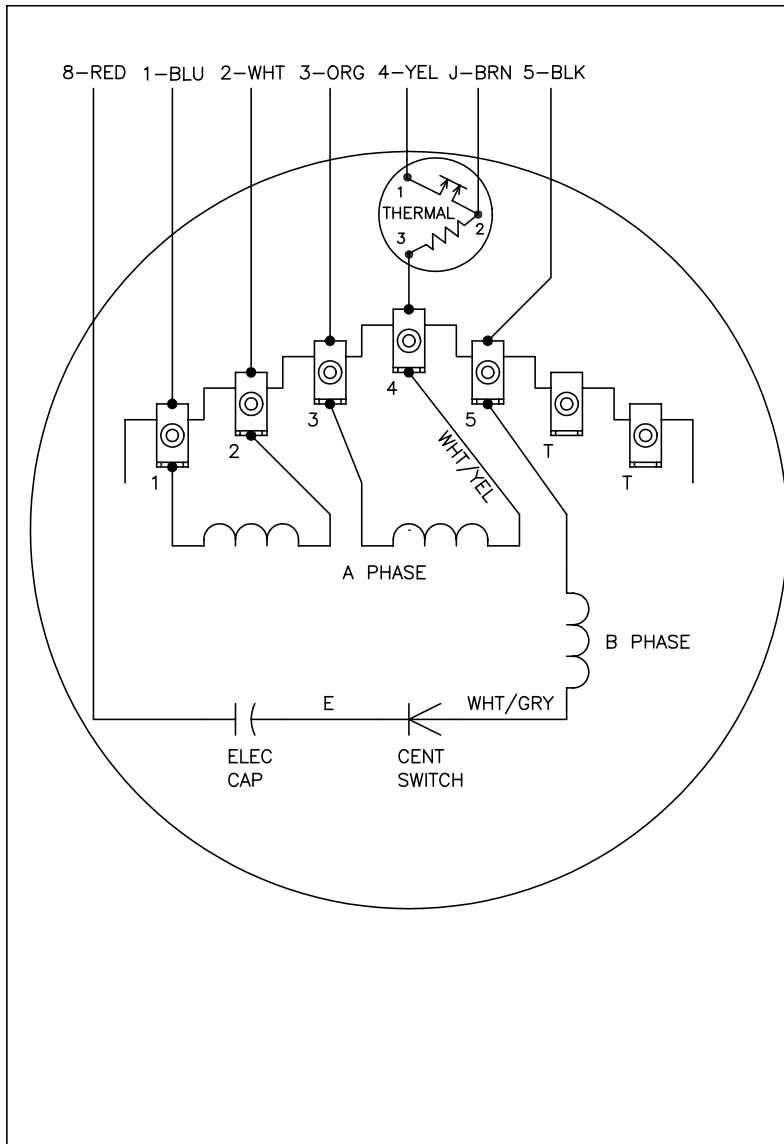
% of Rated Load	25	50	75	100	125	150
Power Factor	35	47	55	64	69	72
Efficiency	35.2	50	60.6	61.9	65.6	71.2
Speed	1780	1767	1753	1738	1722	1711
Line amperes	3.38	3.56	3.76	4.14	4.46	4.7

Performance Graph at 115V, 60Hz, 0.25HP Typical performance - Not guaranteed values





CD0565

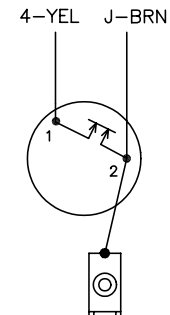


	LINE A	LINE B	JOIN	JOIN
HIGH STD	1	4	2,3,8	J,5
HIGH OPP	1	4	2,3,5	J,8
LOW STD	1,3,8	4	-	2,J,5
LOW OPP	1,3,5	4	-	2,J,8

NOTES:

1. STANDARD ROTATION IS CCW FACING END OPPOSITE SHAFT EXTENSION.
2. MULTIPLE CAPACITORS ARE CONNECTED IN PARALLEL UNLESS OTHERWISE SPECIFIED.
3. LEAD COLORS ARE OPTIONAL. LEADS MUST ALWAYS BE NUMBERED AS SHOWN.

CONNECTIONS FOR TWO-TERMINAL THERMAL



REV. DESC: REVISE TO SHOW OPTIONAL COLORS			
REV. LTR: C	BY: JLP	REVISED: 04/08/99 3:25	TDR: 0178636
999000		FILE: AAA00014311	MDL: -
		MTL: -	

**BALDOR ELECTRIC Co.**

TYPE L, DV, REV, THERMAL, 7 LD, 34XP

CD0565