

BALDOR® • *RELIANCE*

Product Information Packet

M3457

.33HP,3450RPM,3PH,60HZ,48,3410M,TENV,F1

Part Detail							
Revision:	K	Status:	PRD/A	Change #:		Proprietary:	No
Type:	AC	Prod. Type:	3410M	Elec. Spec:	34WGY170	CD Diagram:	CD0005
Enclosure:	TENV	Mfg Plant:		Mech. Spec:	34A075	Layout:	34LYA075
Frame:	48	Mounting:	F1	Poles:	02	Created Date:	
Base:	RG	Rotation:	R	Insulation:	B	Eff. Date:	09-16-2016
Leads:	9#18					Replaced By:	
Literature:		Elec. Diagram:					

Nameplate NP1256L										
CAT.NO.	M3457									
SPEC.	34A075Y170									
HP	.33									
VOLTS	230/460									
AMP	1.4/.7									
RPM	3450									
FRAME	48				HZ	60			PH	3
SER.F.	1.35			CODE	P	DES	B		CLASS	B
NEMA-NOM-EFF	72			PF	64					
RATING	40C AMB-CONT									
CC									USABLE AT 208V	1.6
DE	6203				ODE	6203				
ENCL	TENV			SN						
	SFA 1.5/.75									

Parts List		
Part Number	Description	Quantity
SA084135	SA 34A075Y170	1.000 EA
RA077322	RA 34A075Y170	1.000 EA
NS2512A01	INSULATOR, CONDUIT BOX X	1.000 EA
34CB3002A	CB CAST W/.88 DIA HOLE	1.000 EA
34GS1029A01	GASKET, CONDUIT BOX	1.000 EA
51XB1016A07	10-16 X 7/16 HXWSSLD SERTYB	2.000 EA
11XW1032G06	10-32 X .38, TAPTITE II, HEX WSHR SLTD U	1.000 EA
34EP3100A03SP	FR ENDPLATE, MACH	1.000 EA
HW5100A03SP	WAVY WASHER (W1543-017)	1.000 EA
34EP3102A02SP	FR/PU ENDPLATE, MACH	1.000 EA
XY1032A02	10-32 HEX NUT DIRECTIONAL SERRATION	4.000 EA
34CB4517	CB LID 4 MTG HOLES .22 DIA STAMPED, FOR	1.000 EA
34GS1031A01	GASKET, FLAT CONDUIT BOX LID (LEXIDE)	1.000 EA
51XW0832A07	8-32 X .44, TAPTITE II, HEX WSHR SLTD SE	4.000 EA
MG1000G27	MED CHARCOAL METALLIC GREY 400-0096	0.014 GA
10XF0440S02	04-40 X 1/8 TYPE F HEX HD STAINLESS STIC	2.000 EA
HA3100A12	THRUBOLT 10-32 X 7.375	4.000 EA
LC0005E01	CONN.DIA./WARNING LABEL (LC0005/LB1119N)	1.000 EA
NP1256L	ALUM UL CSA CC	1.000 EA
34PA1002	PKG GRP, PRINT PK1001A01	1.000 EA
MN416A01	TAG-INSTAL-MAINT no wire (1200/bx) 11/14	1.000 EA

Accessories		
Part Number	Description	Multiplier
34-3900T	C-FACE KIT	A8

AC Induction Motor Performance Data
Record # 28270 - Preliminary Data Sheet

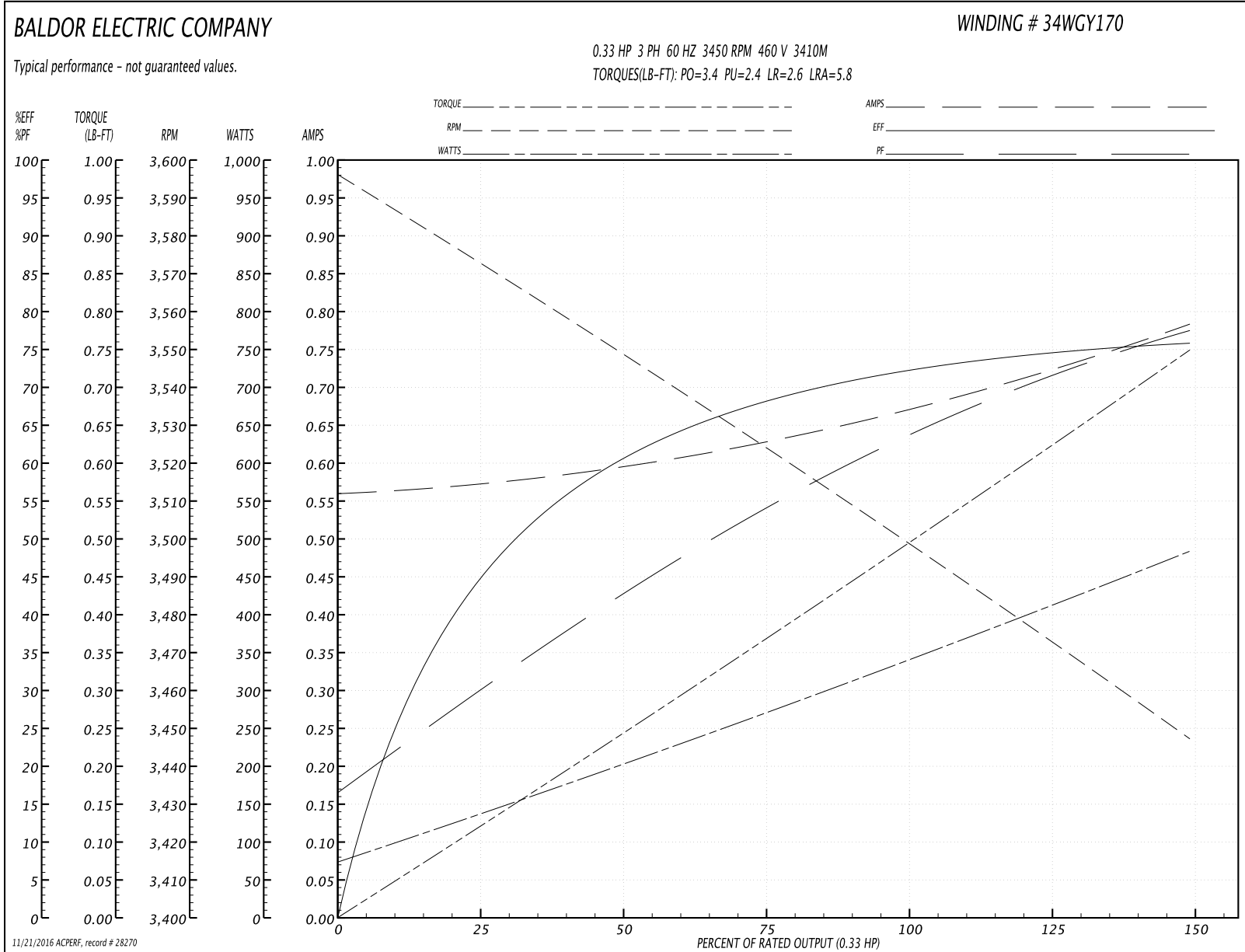
Winding: 34WGY170-R001	Type: 3410M	Enclosure: TENV
-------------------------------	--------------------	------------------------

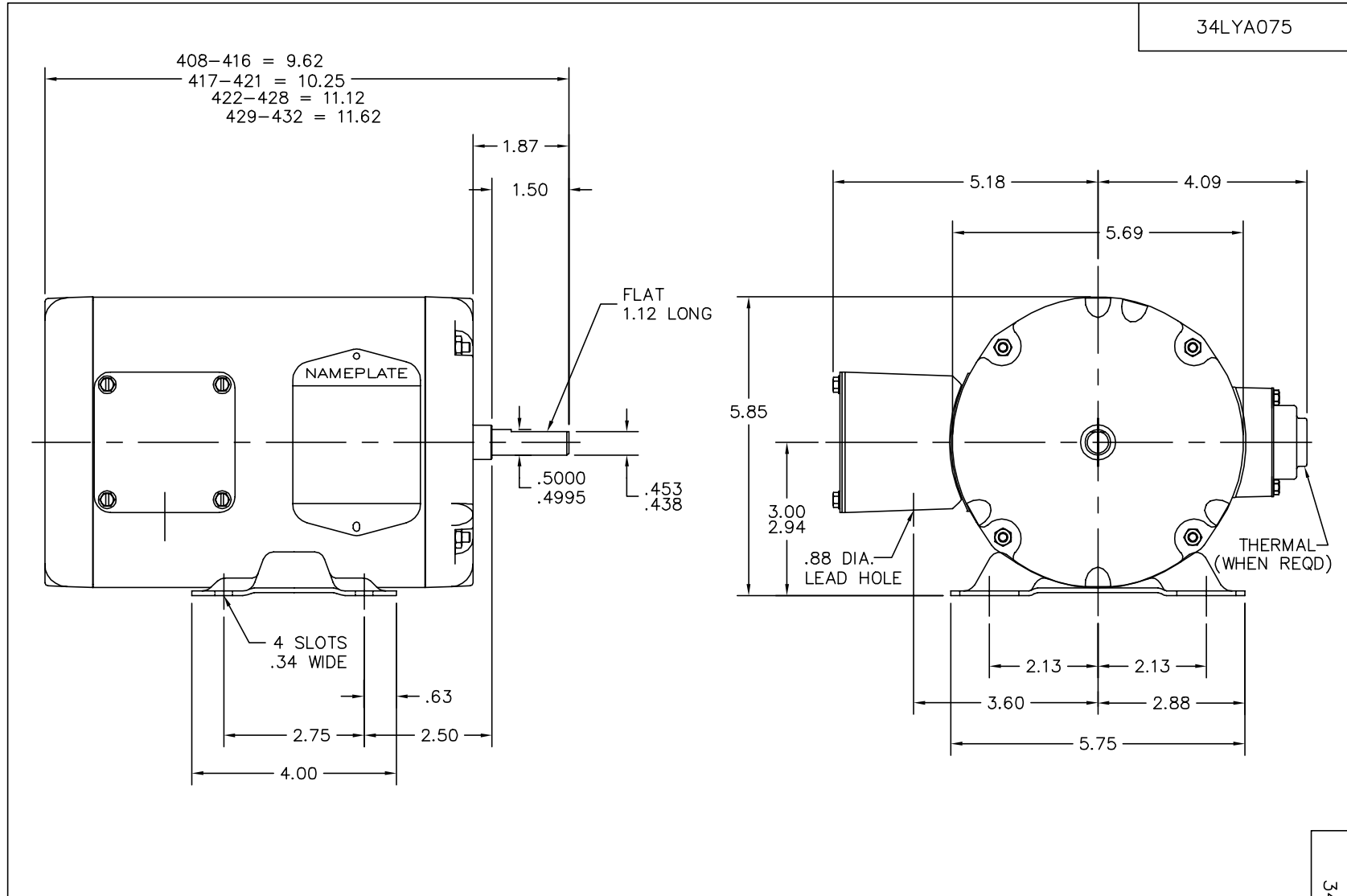
Nameplate Data				460 V, 60 Hz: High Voltage Connection	
Rated Output (HP)	.33			Full Load Torque	0.5 LB-FT
Volts	230/460			Start Configuration	direct on line
Full Load Amps	1.4/.7			Breakdown Torque	3.4 LB-FT
R.P.M.	3450			Pull-up Torque	2.4 LB-FT
Hz	60	Phase	3	Locked-rotor Torque	2.6 LB-FT
NEMA Design Code	B	KVA Code	P	Starting Current	5.8 A
Service Factor (S.F.)	1.35			No-load Current	0.56 A
NEMA Nom. Eff.	72	Power Factor	64	Line-line Res. @ 25°C	31.7 Ω
Rating - Duty	40C AMB-CONT			Temp. Rise @ Rated Load	57°C
S.F. Amps	1.5/.75			Temp. Rise @ S.F. Load	66°C

Load Characteristics 460 V, 60 Hz, 0.33 HP

% of Rated Load	25	50	75	100	125	150	S.F.
Power Factor	32	42	55	63	73	77	75
Efficiency	43.7	62	68.3	72.8	74.4	75.8	75
Speed	3569	3544	3526	3497	3477	3444	3464
Line amperes	0.57	0.6	0.63	0.68	0.71	0.79	0.742

Performance Graph at 460V, 60Hz, 0.33HP Typical performance - Not guaranteed values





CUSTOMER IS RESPONSIBLE FOR DETERMINING THAT MOTOR PERFORMANCE IS SUITABLE IN THE APPLICATION.

REV. DESC: UPDATED GRAPHIC, LOADED TO ACAD			
REV. LTR: C	BY: RT	REVISED: 14:42:14 07/30/2004	TDR: 339360
34LYA075		FILE: AAA00026171	REF: 34LYA075
		MTL: -	

BALDOR ELECTRIC Co.

STD HORZ MODEL 34M NEMA 48 TENV

34LYA075

CD0005

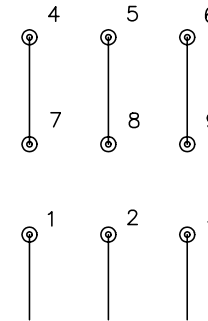


LOW VOLTAGE
(2Y)



LINE

HIGH VOLTAGE
(1Y)



LINE

NOTES:

1. INTERCHANGE ANY TWO LINE LEADS TO REVERSE ROTATION.
2. OPTIONAL THERMOSTATS ARE PROVIDED WHEN SPECIFIED.
3. ACTUAL NUMBER OF INTERNAL PARALLEL CIRCUITS MAY BE A MULTIPLE OF THOSE SHOWN ABOVE.
4. LEAD COLORS ARE OPTIONAL. LEADS MUST ALWAYS BE NUMBERED AS SHOWN.

REV. DESC: REVISE TO SHOW OPTIONAL COLORS			
REV. LTR: E	BY: JLP	REVISED: 01/19/99 10:15	TDR: 0171435
90000		FILE: AAA00005140	MDL: -
		MTL: -	

BALDOR ELECTRIC Co.

3PH, DV, 9 LEADS

CD0005