

BALDOR® • RELIANCE

Product Information Packet

VM3546-57

1HP,1440RPM,3PH,50HZ,56C,3517M,TEFC,F1,N

Part Detail							
Revision:	M	Status:	INA/A	Change #:		Proprietary:	No
Type:	AC	Prod. Type:	3517M	Elec. Spec:	35WGM807	CD Diagram:	CD0022
Enclosure:	TEFC	Mfg Plant:		Mech. Spec:	35A013	Layout:	35LYA013
Frame:	56C	Mounting:	F1	Poles:	04	Created Date:	09-21-2011
Base:	N	Rotation:	R	Insulation:	F	Eff. Date:	10-28-2016
Leads:	6#18					Replaced By:	35A013Z674G1
Literature:		Elec. Diagram:					

Nameplate NP2717L							
CAT NO	VM3546-57						
SPEC.	35A013M807H1						
HP	1	PH	3				
VOLTS	230/400						
AMP	3.1/1.8						
RPM	1440						
FRAME	56C	HZ	50	I.P.	54		
SER.F.	1.15	CODE	K	DES	B	CL	F
NEMA-NOM-EFF	80						% (100%)
PF	76	USABLE AT 208V					
RATING	40C AMB-CONT	CC					
DE BRG	6205	ODE 6203					
ENCL	TEFC	SN					
BLANK	IE2-78.5(75%)75.0(50%)						

Parts List		
Part Number	Description	Quantity
SA231145	SA 35A013M807H1	1.000 EA
RA218162	RA 35A013M807H1	1.000 EA
35FN3002A05	EXFN, PLASTIC, 6.376 OD, .638 ID	1.000 EA
NS2512A01	INSULATOR, CONDUIT BOX X	1.000 EA
35CB3007	35 CB CASTING W/.88 DIA. LEAD HOLE	1.000 EA
36GS1000	GASKET-CONDUIT BOX, .06 THICK #SV-330 LE	1.000 EA
51XB1016A07	10-16 X 7/16 HXWSSLD SERTYB	2.000 EA
11XW1032G06	10-32 X .38, TAPTITE II, HEX WSHR SLTD U	1.000 EA
35EP3100M02	FREP TEFC 203 BRG W/O GR SR (RAISED FH MT	1.000 EA
HW5100A03SP	WAVY WASHER (W1543-017)	1.000 EA
35EP3300A33	SPL FACE MTD EP -ENCL-205 BRG	1.000 EA
51XN1032A20	10-32 X 1 1/4 HX WS SL SR	2.000 EA
51XB1214A16	12-14X1.00 HXWSSLD SERTYB	1.000 EA
35FH4005A32SP	IEC FH NO GR SR W/3 HOLES - PRIMED	1.000 EA
51XW1032A06	10-32 X .38, TAPTITE II, HEX WSHR SLTD S	3.000 EA
35CB4521GX	CONDUIT BOX LID KIT	1.000 EA
51XW0832A07	8-32 X .44, TAPTITE II, HEX WSHR SLTD SE	4.000 EA
HW2501D13	KEY, 3/16 SQ X 1.375	1.000 EA
HA7000A04	KEY RETAINER 0.625 DIA SHAFTS	1.000 EA
85XU0407S04	4X1/4 U DRIVE PIN STAINLESS	2.000 EA
MJ1000A02	GREASE, POLYREX EM EXXON (USe 4824-15A)	0.050 LB
MG1000G27	MED CHARCOAL METALLIC GREY 400-0096	0.017 GA
HA3100A12	THRUBOLT 10-32 X 7.375	4.000 EA
HA4067A01	PUSH IN DRAIN FITTING (BLACK)	1.000 EA

Parts List (continued)		
Part Number	Description	Quantity
HA4067A01	PUSH IN DRAIN FITTING (BLACK)	1.000 EA
LB1119N	WARNING LABEL	1.000 EA
LC0034	CONNECTION LABEL	1.000 EA
MN416A01	TAG-INSTAL-MAINT no wire (1200/bx) 11/14	1.000 EA
NP2717L	ALUM NEMA IE2 UL CSA CE CC	1.000 EA
35PA1066	PKG GRP, PRINT PK1008A06	1.000 EA
PK3082	STYROFOAM CRADLE	1.000 EA

AC Induction Motor Performance Data

Record # 35159 - Typical performance - not guaranteed values

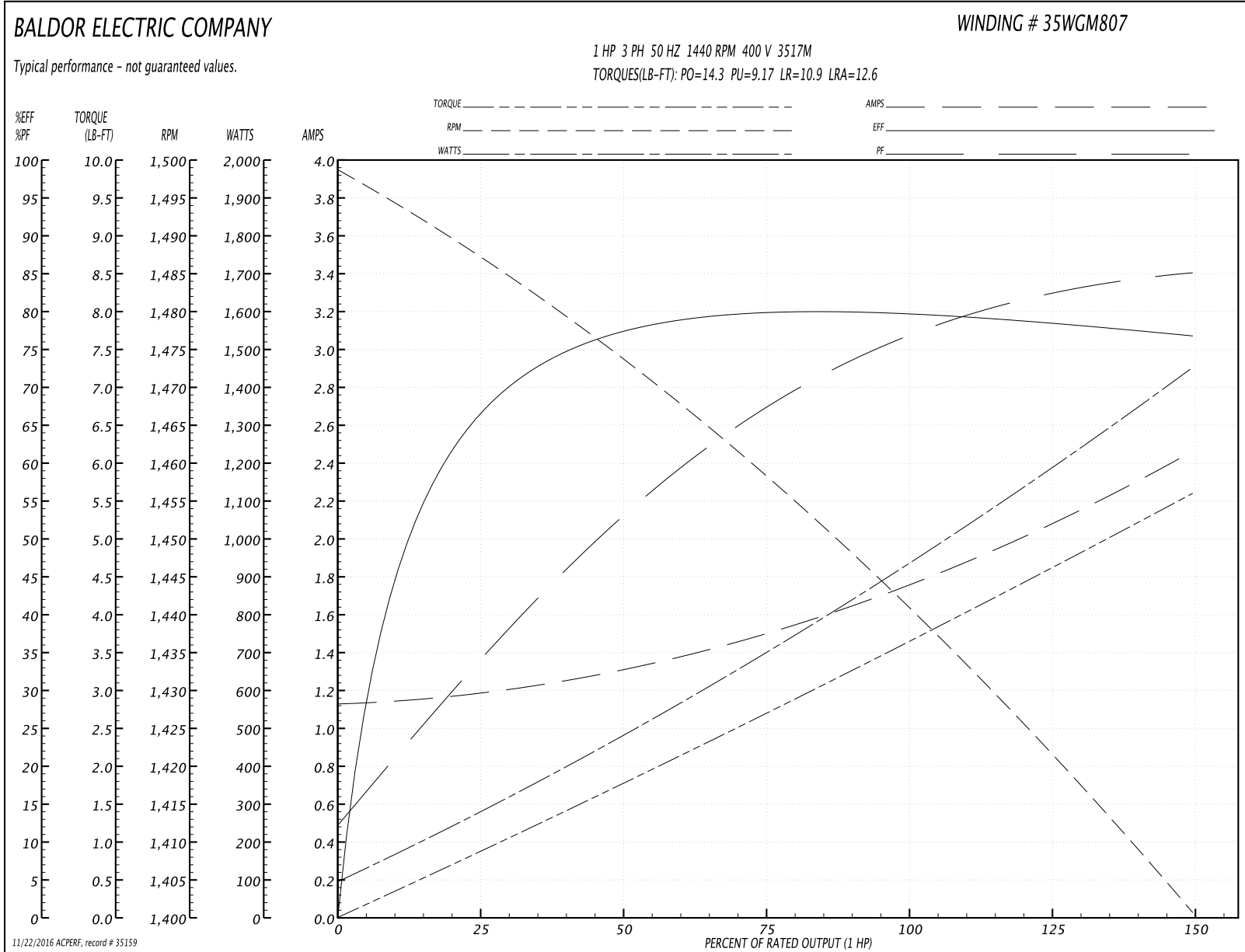
Winding: 35WGM807-R002	Type: 3517M	Enclosure: TEFC
-------------------------------	--------------------	------------------------

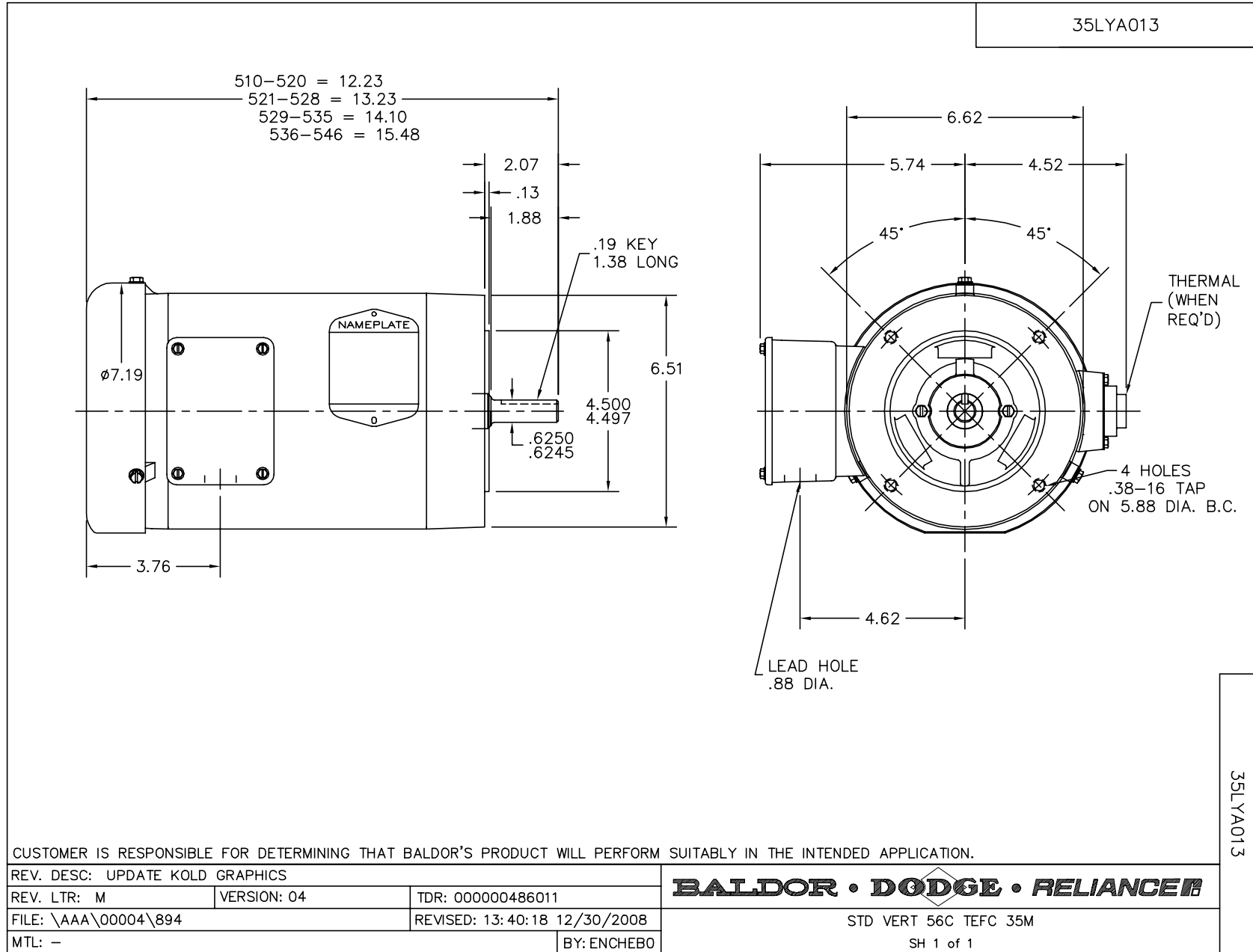
Nameplate Data				400 V, 50 Hz: High Voltage Connection	
Rated Output (HP)	1			Full Load Torque	3.62 LB-FT
Volts	230/400			Start Configuration	direct on line
Full Load Amps	3.1/1.8			Breakdown Torque	14.3 LB-FT
R.P.M.	1440			Pull-up Torque	9.17 LB-FT
Hz	50	Phase	3	Locked-rotor Torque	10.9 LB-FT
NEMA Design Code	B	KVA Code	K	Starting Current	12.6 A
Service Factor (S.F.)	1.15			No-load Current	1.14 A
NEMA Nom. Eff.	80	Power Factor	76	Line-line Res. @ 25°C	16.1 Ω
Rating - Duty	40C AMB-CONT			Temp. Rise @ Rated Load	53°C
S.F. Amps				Temp. Rise @ S.F. Load	62°C
				Locked-rotor Power Factor	70
				Rotor inertia	0.1 LB-FT ²

Load Characteristics 400 V, 50 Hz, 1 HP

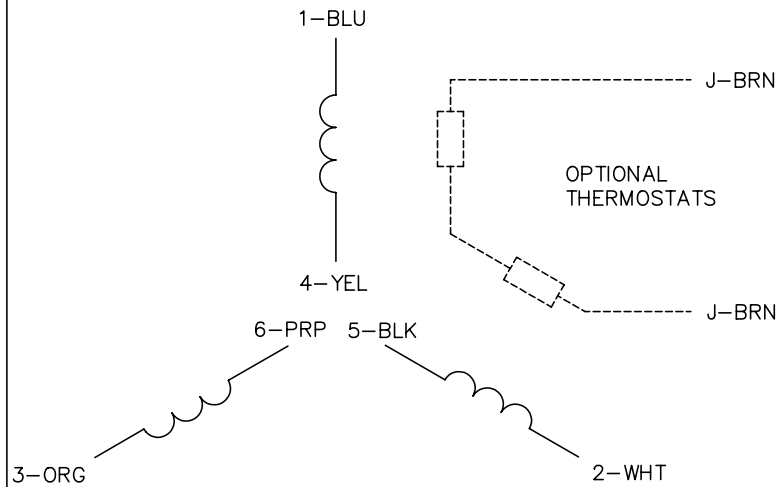
% of Rated Load	25	50	75	100	125	150	S.F.
Power Factor	35	53	67	76	82	86	80
Efficiency	66.3	75.4	78.9	80.4	78.9	76.5	79.5
Speed	1487	1474	1458	1442	1423	1400	1431
Line amperes	1.17	1.3	1.5	1.76	2.07	2.46	1.95

Performance Graph at 400V, 50Hz, 1.0HP Typical performance - Not guaranteed values

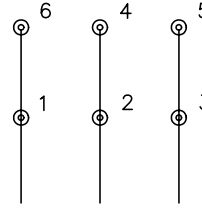




CD0022

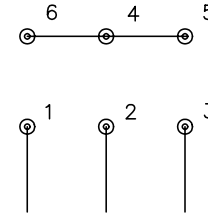


LOW VOLTAGE
(1D)



LINE

HIGH VOLTAGE
(1Y)



LINE

NOTES:

1. INTERCHANGE ANY TWO LINE LEADS TO REVERSE ROTATION.
2. OPTIONAL THERMOSTATS ARE PROVIDED WHEN SPECIFIED.
3. ACTUAL NUMBER OF INTERNAL PARALLEL CIRCUITS MAY BE A MULTIPLE OF THOSE SHOWN ABOVE.
4. LEAD COLORS ARE OPTIONAL. LEADS MUST ALWAYS BE NUMBERED AS SHOWN.

REV. DESC: REVISE TO SHOW OPTIONAL COLORS			
REV. LTR: F	BY: JLP	REVISED: 01/21/99 3:54	TDR: 0171435
CD0022		FILE: AAA00005144	MDL: -
		MTL: -	

BALDOR ELECTRIC Co.

3PH, DV, 6 LEADS, DELTA/WYE CONNECTION

CD0022