

BALDOR® • ***RELIANCE***

Product Information Packet

VRBM3161T

3HP, 1700RPM, 3PH, 60HZ, 182TC, 7542M, TEFC, F3

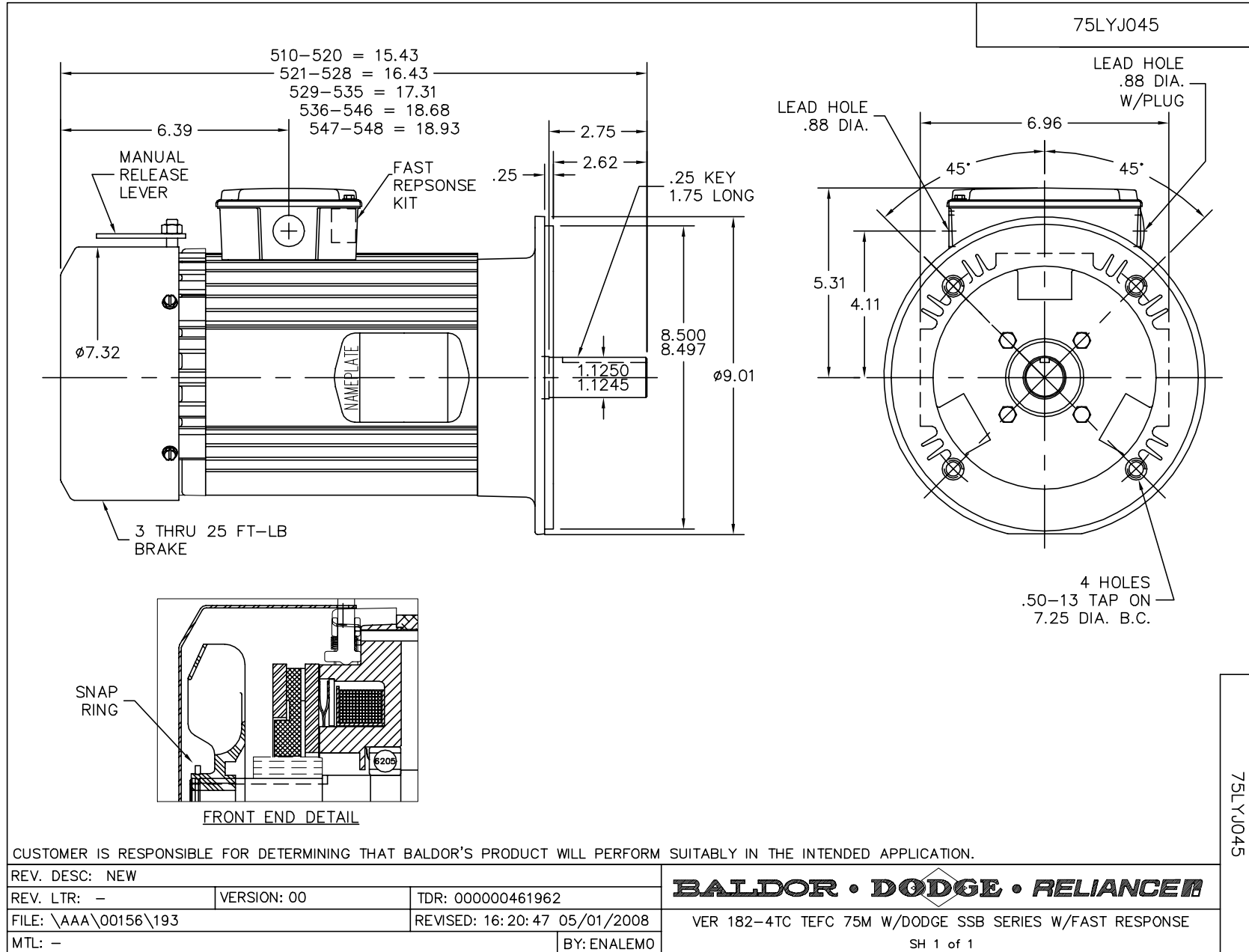
Part Detail							
Revision:	-	Status:	PRD/A	Change #:		Proprietary:	No
Type:	AC	Prod. Type:	7542M	Elec. Spec:	75WGW119	CD Diagram:	CD0005
Enclosure:	TEFC	Mfg Plant:		Mech. Spec:	75J045	Layout:	75LYJ045
Frame:	182TC	Mounting:	F3	Poles:	04	Created Date:	09-26-2016
Base:	N	Rotation:	R	Insulation:	F	Eff. Date:	09-28-2016
Leads:	9#18					Replaced By:	
Literature:		Elec. Diagram:					

Nameplate NP1256L										
CAT.NO.	VRBM3161T									
SPEC.	75J045W119G1									
HP	3									
VOLTS	230/460									
AMP	8.8/4.4									
RPM	1700									
FRAME	182TC				HZ	60			PH	3
SER.F.	1.15		CODE	K	DES	D		CLASS	F	
NEMA-NOM-EFF	85.5		PF	75						
RATING	40C AMB-CONT									
CC									USABLE AT 208V	
DE	6206				ODE	6205				
ENCL	TEFC		SN							

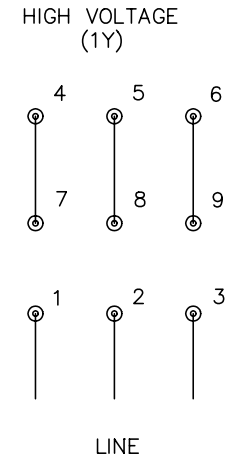
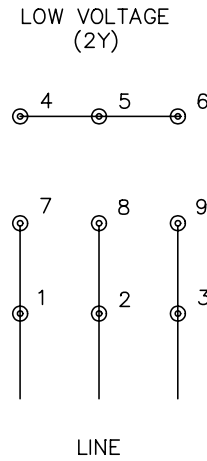
Parts List		
Part Number	Description	Quantity
SA327666	SA 75J045W119G1	1.000 EA
RA315590	RA 75J045W119G1	1.000 EA
NS2512A01	INSULATOR, CONDUIT BOX X	1.000 EA
75CB3000A04	COND BOX FOR 75SF2000 (REL# 7932952C)	1.000 EA
51XT1032A10	10-32X.62 HX SLD WASHER TAPP SERRATED	3.000 EA
WD4100A01	DP-875 HEYCO PLUG OR 62MP0875 MICRO PLAS	1.000 EA
11XW1032G06	10-32 X .38, TAPTITE II, HEX WSHR SLTD U	1.000 EA
51XN0832A16	8-32 X 1.00 HEX SLOT WSHR HD MACH SCREW	1.000 EA
XY0832A02	8-32 HEX NUT	1.000 EA
HW1001A08	WASHER, #8 SPLT LK, ZN	1.000 EA
HW3001B01	BRASS CUP WASHER, FOR #8 SCREW	1.000 EA
HW5100A05	WVY WSHR F/205 & 304 BRGS	1.000 EA
35EP3304A12	STD PULLEY 182-4TC ENCL 206 BRG W/O GREAS	1.000 EA
10XN2520A24	1/4-20X 1 1/2 HEX HD X	4.000 EA
HW1001A25	LOCKWASHER 1/4, ZINC PLT .493 OD, .255 I	4.000 EA
HW1001A10	WASHER, #10 SPLT LK, ZN X	4.000 EA
HW2501D13	KEY, 3/16 SQ X 1.375	1.000 EA
BR2003D01	SPLINED HUB 7/8 W/O KEY	1.000 EA
35FN3003A02	EXFN, PLASTIC, 5.88 OD, .876 ID (REL)	1.000 EA
35FH4007A01	FAN COVER FOR SHORT SERIES BRAKE, PRIMER	1.000 EA
51XW1032A06	10-32 X .38, TAPTITE II, HEX WSHR SLTD S	4.000 EA
35CB4518	CB LIPPED LID, PRIMED, REL# 7932915D	1.000 EA
51XW0832A07	8-32 X .44, TAPTITE II, HEX WSHR SLTD SE	2.000 EA
HW2501E16	3KEY, 1/4 SQ X 1.750	1.000 EA

Parts List (continued)		
Part Number	Description	Quantity
HA7000A02	KEY RETAINER RING, 1 1/8 DIA, 1 3/8 DIA	1.000 EA
85XU0407S04	4X1/4 U DRIVE PIN STAINLESS	2.000 EA
LB1418	INTEGRAL BRK ADJ LABEL (REL# 41171617A)	1.000 EA
MJ1000A02	GREASE, POLYREX EM EXXON (USe 4824-15A)	0.050 LB
MG1000G27	MED CHARCOAL METALLIC GREY 400-0096	0.017 GA
031389	Dodge FAST RESp. KIT 230/460V	1.000 EA
HA3100A25	THRUBOLT 10-32 X 11.000	4.000 EA
43BK0400B02	SSB-15-230/460(205) L-HUB	1.000 EA
LB1185	LABEL,BRAKE CONNECTION (ON ROLLS)	1.000 EA
LB1424A02	BRAKE VOLT LABEL 230/460V SSB	1.000 EA
LC0005E01	CONN.DIA./WARNING LABEL (LC0005/LB1119N)	1.000 EA
NP1256L	ALUM UL CSA CC	1.000 EA
G0PA1000	PKG GRP, PRINT PK1026A06	1.000 EA
PK3082	STYROFOAM CRADLE	1.000 EA

No performance data has been assigned to this product.



CD0005



NOTES:

1. INTERCHANGE ANY TWO LINE LEADS TO REVERSE ROTATION.
2. OPTIONAL THERMOSTATS ARE PROVIDED WHEN SPECIFIED.
3. ACTUAL NUMBER OF INTERNAL PARALLEL CIRCUITS MAY BE A MULTIPLE OF THOSE SHOWN ABOVE.
4. LEAD COLORS ARE OPTIONAL. LEADS MUST ALWAYS BE NUMBERED AS SHOWN.

REV. DESC: REVISE TO SHOW OPTIONAL COLORS			
REV. LTR: E	BY: JLP	REVISED: 01/19/99 10:15	TDR: 0171435
900000		FILE: AAA00005140	MDL: -
		MTL: -	

BALDOR ELECTRIC Co.

3PH, DV, 9 LEADS

CD0005