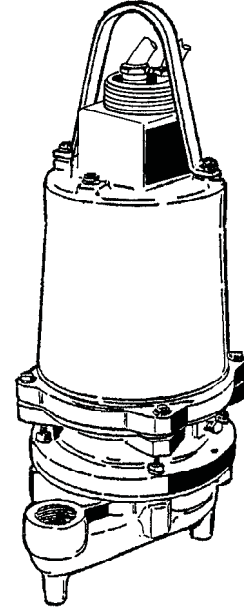


Submersible Grinder XP

Specifications:

DISCHARGE	1¼" NPT, Vertical
LIQUID TEMPERATURE	104°F (40°C) Continuous
VOLUTE	Cast Iron ASTM A-48, Class 30.
MOTOR HOUSING	Cast Iron ASTM A-48, Class 30.
SEAL PLATE	Cast Iron ASTM A-48, Class 30.
IMPELLER: Design	10 Vane, Vortex, With Pump Out Vanes On Back Side. Dynamically Balanced,
	ISO G6.3.
	Material
	85-5-5-5 Bronze
SHREDDING RING	Hardened 440C Stainless Steel Rockwell® C-55.
CUTTER	Hardened 440C Stainless Steel, Rockwell® C-55.
SHAFT	416 Stainless Steel
SQUARE RINGS	Buna-N
HARDWARE	300 Series Stainless Steel
PAINT	Air Dry Enamel.
SEAL:	
Design	Tandem Mechanical, Oil Filled Reservoir.
Material	Rotating Faces - Carbon Stationary Faces - Ceramic Elastomer - Buna-N Hardware -300 Series Stainless
CORD ENTRY	30 ft. (9.1 m) Std. Cord. Epoxy Sealed Housing with Secondary Pressure Grommet for Sealing and Strain Relief
UPPER BEARING:	
Design	Single Row, Ball, Oil Lubricated
Load	Radial
LOWER BEARING:	
Design	Single Row, Oil Lubrication
Load	Radial & Thrust
MOTOR:	
Design	NEMA L-Single Phase, NEMA B-Three Phase Torque Curve. Oil-Filled, Squirrel Cage Induction
Insulation	Class B.
SINGLE PHASE:	Capacitor Start/Capacitor Run. Requires overload protection to be included in control panel. Requires Barnes® Starter or Control Panel which Includes Capacitors, or Capacitor pack.
THREE PHASE:	Dual Voltage 230/460; Requires Overload Protection to be Included in control panel.
MOISTURE SENSORS	Normally Open (N/O), Requires relay in control panel
TEMPERATURE SENSORS	Normally Closed (N/C), Requires relay in control panel
OPTIONAL EQUIPMENT	Seal Material, Impeller Trims, Cord Length



Series: XSGV-L
2HP, 3450RPM, 60Hz



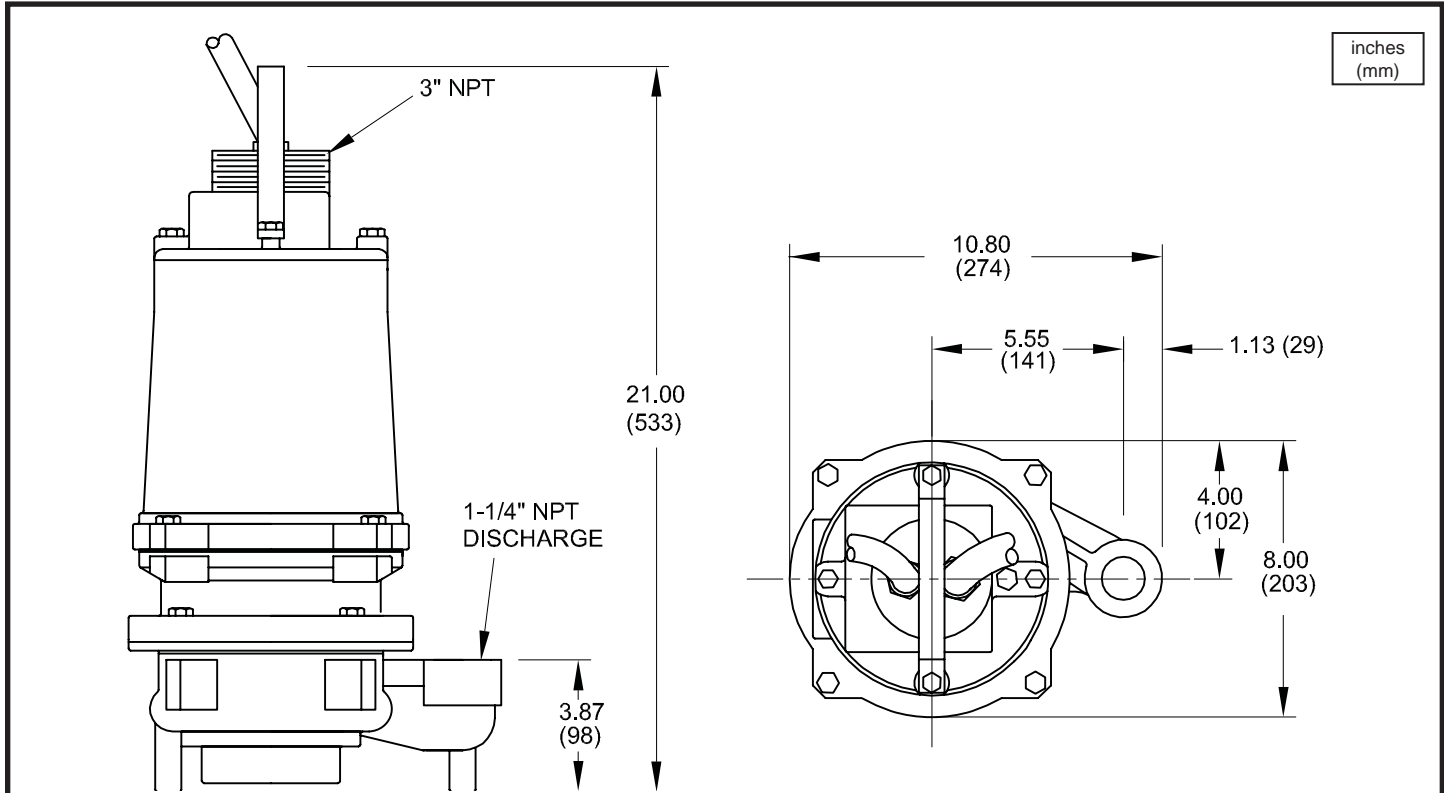
Underwriters Laboratories Inc ©
File No. E73842

Sample Specifications: Section 3 Page 14.

DESCRIPTION:

THE GRINDER PUMP IS FOR USE IN **HAZARDOUS** LOCATIONS AND IS DESIGNED TO REDUCE DOMESTIC, COMERCIAL, INSTITUTIONAL AND LIGHT INDUSTRIAL SEWAGE TO A FINELY GROUND SLURRY.

Submersible Grinder XP



MODEL NO	PART NO	HP	VOLT/PH	Hz	RPM (Nom)	NEMA START CODE	FULL LOAD AMPS	LOCKED ROTOR AMPS	CORD SIZE	CORD TYPE	CORD O.D inch (mm)
XSGV2022L	127325	2	230/1	60	3450	H	15.0	53.8	10/4	SOW	0.67 (17)
XSGV2062L	127326	2	200/3	60	3450	J	11.0	42.0	10/4	SOW	0.67 (17)
XSGV2032L	127327	2	230/3	60	3450	J	9.0	36.0	10/4	SOW	0.67 (17)
XSGV2042L	127328	2	460/3	60	3450	J	4.5	18.0	10/4	SOW	0.67 (17)
XSGV2052L	127329	2	575/3	60	3450	J	3.2	14.4	10/4	SOW	0.67 (17)

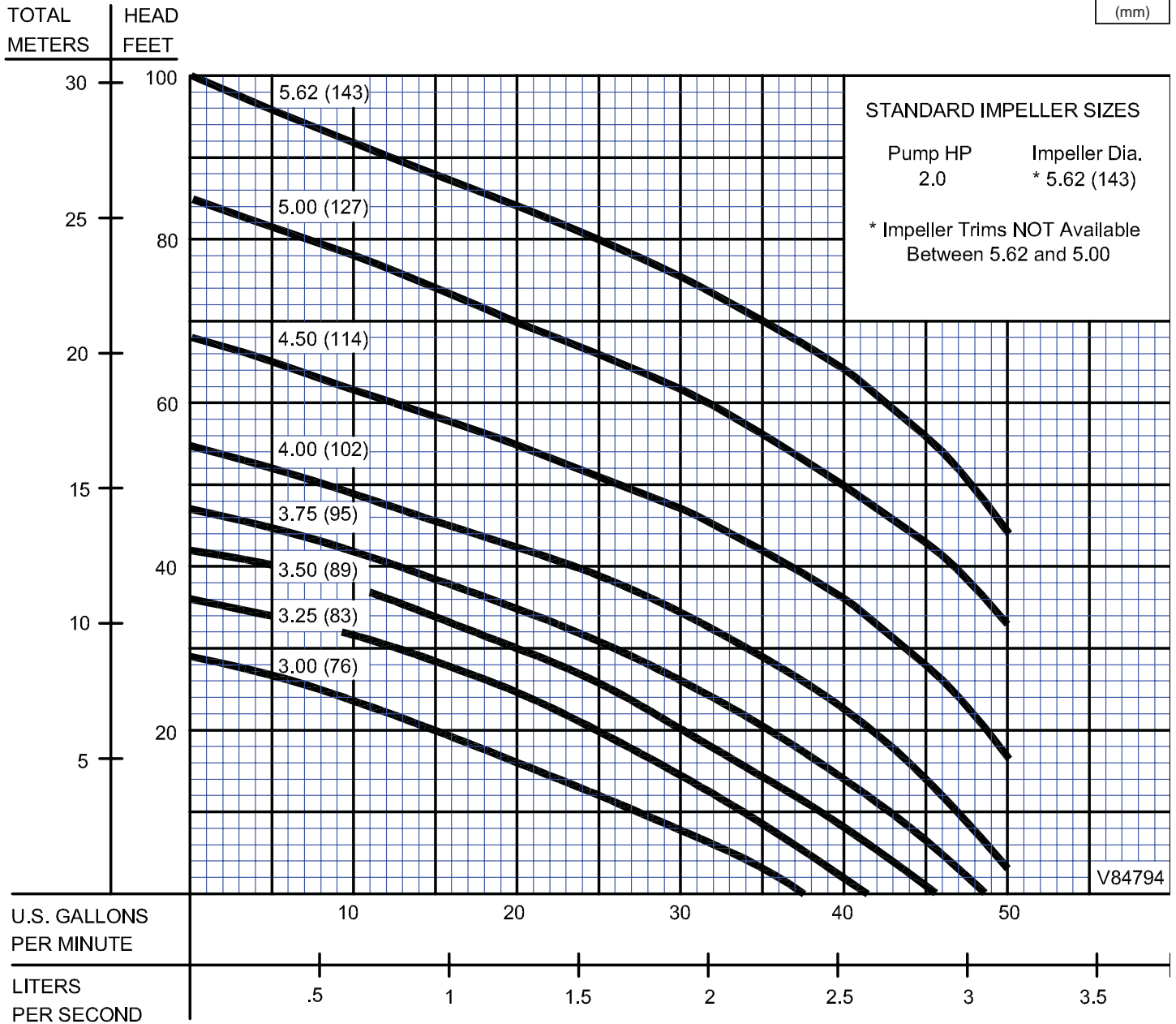
Moisture & Temperature sensor cord for all models is 18/5 SOW, .476 (12mm) O.D.

IMPORTANT !

- 1.) MOISTURE AND TEMPERATURE SENSORS MUST BE CONNECTED TO VALIDATE THE UL LISTING.
- 2.) A **NON-SPARKING** BREAK AWAY FITTING MUST BE USED TO VALIDATE THE UL LISTING.
- 3.) A SPECIAL MOISTURE SENSOR RELAY IS REQUIRED IN THE CONTROL PANEL FOR PROPER OPERATION OF THE MOISTURE SENSORS. CONTACT BARNES PUMPS FOR INFORMATION CONCERNING MOISTURE SENSING RELAYS FOR CUSTOMER SUPPLIED CONTROL PANELS.
- 4.) THESE PUMPS ARE UL LISTED FOR PUMPING WATER AND WASTEWATER. **DO NOT USE TO PUMP FLAMMABLE LIQUIDS.**
- 5.) INSTALLATIONS SUCH AS DECORATIVE FOUNTAINS OR WATER FEATURES PROVIDED FOR VISUAL ENJOYMENT MUST BE INSTALLED IN ACCORDANCE WITH THE NATIONAL ELECTRIC CODE ANSI/NFPA 70 AND/OR THE AUTHORITY HAVING JURISDICTION. THIS PUMP IS NOT INTENDED FOR USE IN SWIMMING POOLS, RECREATIONAL WATER PARKS, OR INSTALLATIONS IN WHICH HUMAN CONTACT WITH PUMPED MEDIA IS A COMMON OCCURRENCE.

Submersible Grinder XP

inches
(mm)



Testing is performed with water, specific gravity 1.0 @ 68° F @ (20°C), other fluids may vary performance