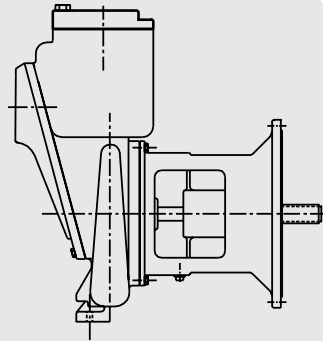
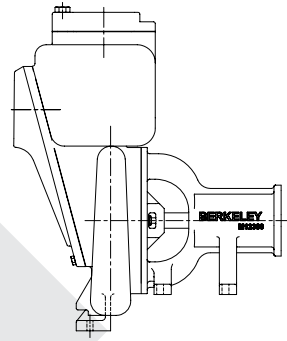


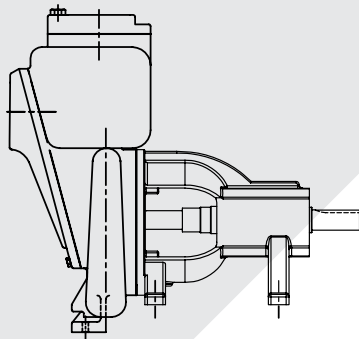
BERKELEY[®] B SERIES SELF-PRIMING CENTRIFUGAL PUMPS PUMP DIMENSIONS



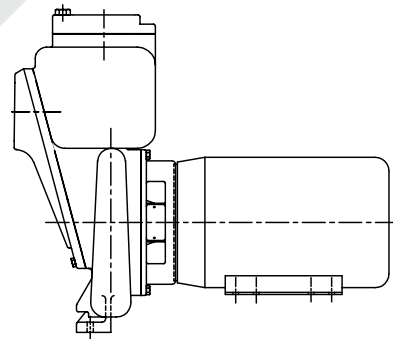
SAE Mount



Hydraulic Mount

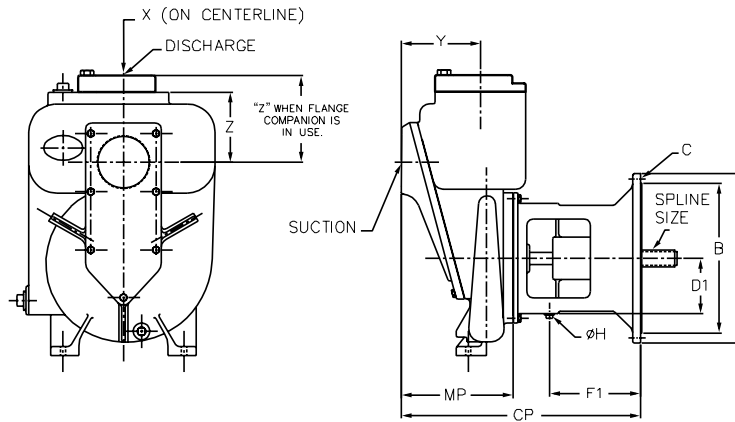


Frame Mount



Electric Motor Drive

SAE Mount Dimensions



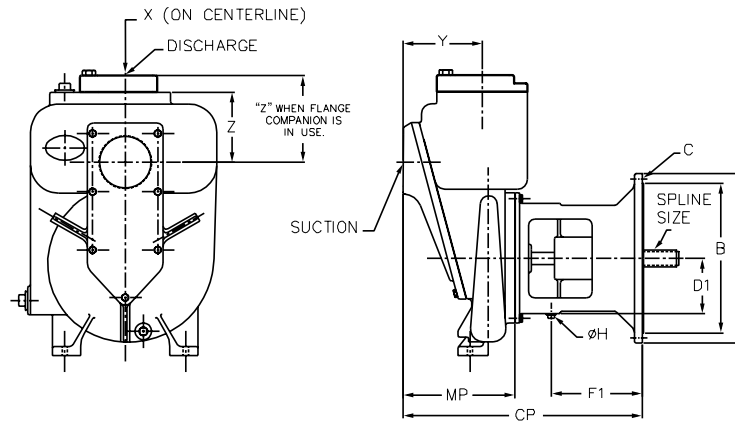
SAE Self-Prime 1-3/8" - 10T Shaft Spline

	PUMP MODEL	SHAFT SEAL	SUCTION	DISCHARGE	SHAFT SPLINE SIZE	SHAFT EXT.	SAE HOUSING SIZE	X	Y	MP	Z
VOLUTE DIMENSIONS	B3TQKHS	Mechanical	3" NPT	3" NPT	1-3/8" - 10T	2-1/2"	5	ON CL.	6.79	8.98	2.67
	B4TQKHS	Mechanical	4" NPT	4" NPT Flange Companion	1-3/8" - 10T	2-1/2"	5	ON CL.	7.66	10.10	4.85*
	B4ZQKLS	Mechanical	4" NPT	4" NPT Flange Companion	1-3/8" - 10T	2-1/2"	5	ON CL.	7.17	9.28	6.98*
		Mechanical	4" NPT	4" NPT Flange Companion	1-3/8" - 10T	3"	4	ON CL.	7.17	9.28	6.98*
	B4ZQKHS	Mechanical	4" NPT	4" NPT Flange Companion	1-3/8" - 10T	2-1/2"	5	ON CL.	7.17	9.28	6.98*
		Mechanical	4" NPT	4" NPT Flange Companion	1-3/8" - 10T	3"	4	ON CL.	7.17	9.28	6.98*

	PUMP MODEL	SHAFT SEAL	SUCTION	DISCHARGE	SHAFT SPLINE SIZE	SHAFT EXT.	SAE HOUSING SIZE	C			DIA. H	F1	D1	CP		
								A	B	BOLT CIRCLE					QTY. HOLES	HOLE SIZE
BRACKET DIMENSIONS	B3TQKHS	Mechanical	3" NPT	3" NPT	1-3/8" - 10T	2-1/2"	5	14.00	12.37	13.12	8	0.44	0.44	9.00	4.53	19.48
	B4TQKHS	Mechanical	4" NPT	4" NPT Flange Companion	1-3/8" - 10T	2-1/2"	5	14.00	12.37	13.12	8	0.44	0.44	9.00	4.53	20.60
	B4ZQKLS	Mechanical	4" NPT	4" NPT Flange Companion	1-3/8" - 10T	2-1/2"	5	14.00	12.37	13.12	7	0.44	0.44	9.00	4.62	19.78
		Mechanical	4" NPT	4" NPT Flange Companion	1-3/8" - 10T	3"	4	15.88	14.24	15.00	12	0.44	0.44	9.06	4.56	19.78
	B4ZQKHS	Mechanical	4" NPT	4" NPT Flange Companion	1-3/8" - 10T	2-1/2"	5	14.00	12.37	13.12	7	0.44	0.44	9.00	4.62	19.78
		Mechanical	4" NPT	4" NPT Flange Companion	1-3/8" - 10T	3"	4	15.88	14.24	15.00	12	0.44	0.44	9.06	4.56	19.78

*Dimension given includes the flange companion which is on the discharge of the volute.

SAE Mount Dimensions



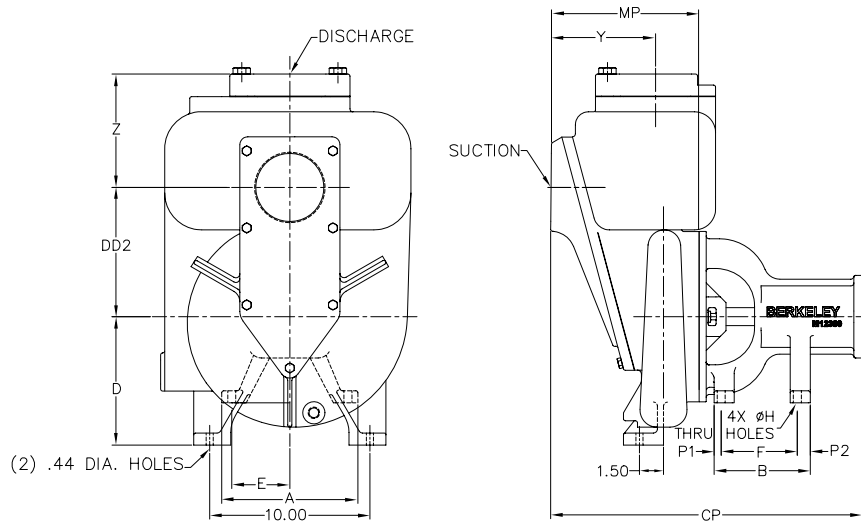
SAE Self-Prime 1-1/2" - 10T Shaft Spline

PUMP MODEL	SHAFT SEAL	SUCTION	DISCHARGE	SHAFT SPLINE SIZE	CLUTCH SIZE	X	Y	MP	Z
VOLUTE DIMENSIONS B4ZQKLS	Mechanical	4" NPT	4" NPT Flange Companion	1-1/2" - 10T	6.5	ON CL.	7.17	9.28	6.98*
	Mechanical	4" NPT	4" NPT Flange Companion	1-1/2" - 10T	7.5	ON CL.	7.17	9.28	6.98*
	Mechanical	4" NPT	4" NPT Flange Companion	1-1/2" - 10T	8	ON CL.	7.17	9.28	6.98*
	Mechanical	4" NPT	4" NPT Flange Companion	1-1/2" - 10T	10	ON CL.	7.17	9.28	6.98*
VOLUTE DIMENSIONS B4ZQKHS	Mechanical	4" NPT	4" NPT Flange Companion	1-1/2" - 10T	6.5	ON CL.	7.17	9.28	6.98*
	Mechanical	4" NPT	4" NPT Flange Companion	1-1/2" - 10T	7.5	ON CL.	7.17	9.28	6.98*
	Mechanical	4" NPT	4" NPT Flange Companion	1-1/2" - 10T	8	ON CL.	7.17	9.28	6.98*
	Mechanical	4" NPT	4" NPT Flange Companion	1-1/2" - 10T	10	ON CL.	7.17	9.28	6.98*

PUMP MODEL	SHAFT SEAL	SUCTION	DISCHARGE	SHAFT SPLINE SIZE	CLUTCH SIZE	SAE () SHAFT EXT.	A	B	C			DIA. H	F1	D1	CP
									BOLT CIRCLE	QTY. HOLES	HOLE SIZE				
BRACKET DIMENSIONS B4ZQKLS	Mechanical	4" NPT	4" NPT Flange Companion	1-1/2" - 10T	6.5	(4) 2-3/4"	16.00	14.25	15.00	12	0.44	NA	NA	NA	24.91
						(5) 2-1/2"	14.25	12.37	13.12	8	0.44	NA	NA	NA	25.16
	Mechanical	4" NPT	4" NPT Flange Companion	1-1/2" - 10T	7.5	(4) 2-3/4"	16.00	14.25	15.00	12	0.44	NA	NA	NA	24.91
						(5) 2-1/2"	14.25	12.37	13.12	8	0.44	NA	NA	NA	25.16
	Mechanical	4" NPT	4" NPT Flange Companion	1-1/2" - 10T	8	(4) 2-3/4"	16.00	14.25	15.00	12	0.44	NA	NA	NA	24.91
						(5) 2-1/2"	14.25	12.37	13.12	8	0.44	NA	NA	NA	25.16
	Mechanical	4" NPT	4" NPT Flange Companion	1-1/2" - 10T	10	(4) 2-3/4"	16.00	14.25	15.00	12	0.44	NA	NA	NA	24.91
						(5) 2-1/2"	14.25	12.37	13.12	8	0.44	NA	NA	NA	25.16
BRACKET DIMENSIONS B4ZQKHS	Mechanical	4" NPT	4" NPT Flange Companion	1-1/2" - 10T	6.5	(4) 2-3/4"	16.00	14.25	15.00	12	0.44	NA	NA	NA	24.91
						(5) 2-1/2"	14.25	12.37	13.12	8	0.44	NA	NA	NA	25.16
	Mechanical	4" NPT	4" NPT Flange Companion	1-1/2" - 10T	7.5	(4) 2-3/4"	16.00	14.25	15.00	12	0.44	NA	NA	NA	24.91
						(5) 2-1/2"	14.25	12.37	13.12	8	0.44	NA	NA	NA	25.16
	Mechanical	4" NPT	4" NPT Flange Companion	1-1/2" - 10T	8	(4) 2-3/4"	16.00	14.25	15.00	12	0.44	NA	NA	NA	24.91
						(5) 2-1/2"	14.25	12.37	13.12	8	0.44	NA	NA	NA	25.16
	Mechanical	4" NPT	4" NPT Flange Companion	1-1/2" - 10T	10	(4) 2-3/4"	16.00	14.25	15.00	12	0.44	NA	NA	NA	24.91
						(5) 2-1/2"	14.25	12.37	13.12	8	0.44	NA	NA	NA	25.16

*Dimension given includes the flange companion which is on the discharge of the volute.

Hydraulic Mount Dimensions



Hydraulic Self-Prime

PUMP MODEL	SHAFT SEAL	ROTATION	SUCTION	DISCHARGE	A	B	D	E	F	H	MP	P1	P2	Y	Z	CP	DD2
B4ZRK	Packing	CW	4 NPT	3.00 125# ANSI	8.50	6.00	6.00	3.63	4.75	0.50	9.22	0.44	0.81	7.17	5.60	19.40	6.75

Frame Mount Dimensions

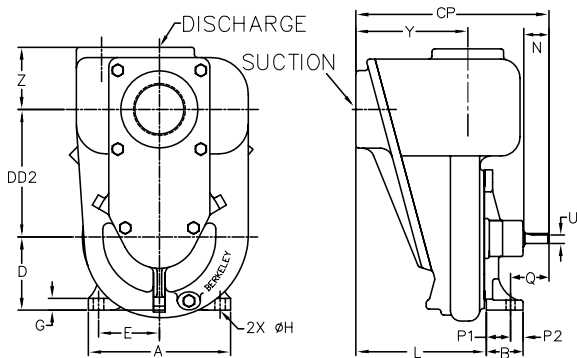


FIGURE 1

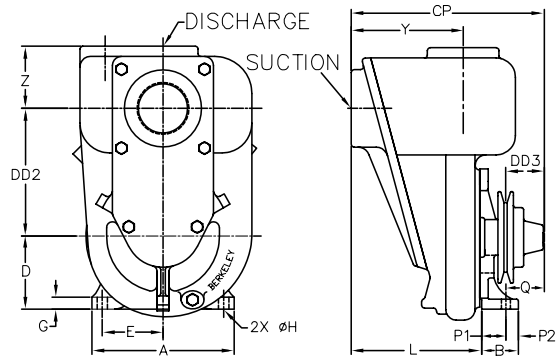


FIGURE 2

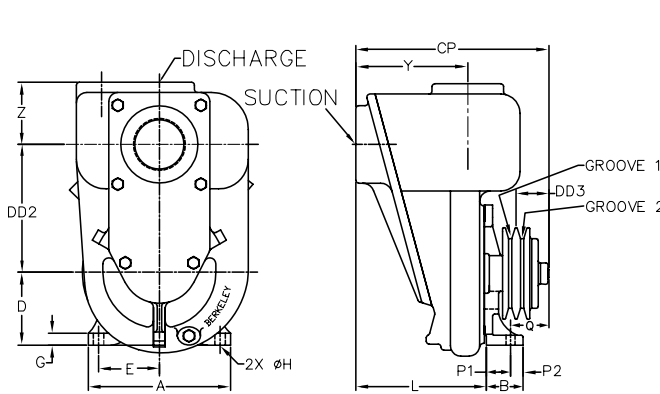


FIGURE 3

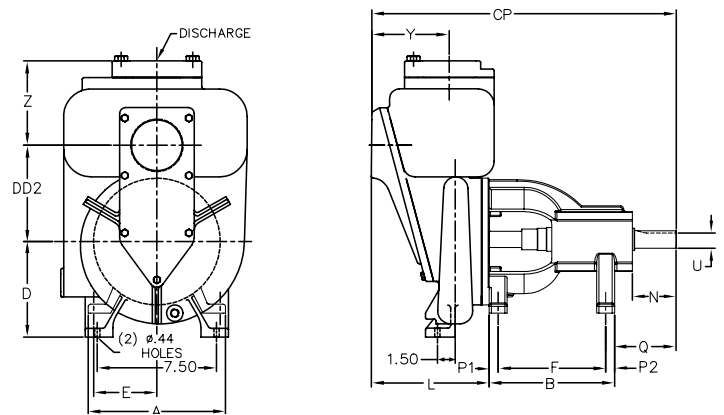


FIGURE 4

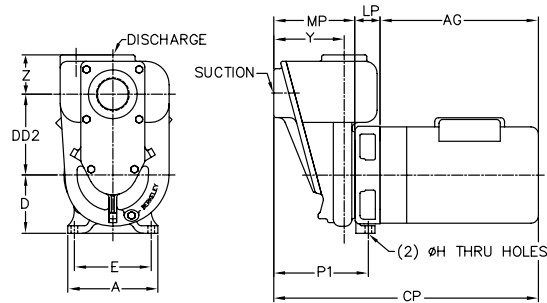
Frame Mount Self-Prime

	PUMP MODEL	SHAFT SEAL	ROT	FIGURE	SUCTION	DISCHARGE	KEY	A	B	D	E	F	G	H	L	N
								P1	P2	Q	U	Y	Z	CP	DD2	DD3
DIMENSIONS A-N	B2XRKS	Mechanical	CW	1	2" NPT	2" NPT	0.1875sq x 1.00	6.50	2.32	4.50	3.25	NA	0.63	0.56	5.47	1.50
				2	2" NPT	2" NPT	NA	6.50	2.32	4.50	3.25	NA	0.63	0.56	5.47	1.50
	B3TRKS	Mechanical	CW	1	3" NPT	3" NPT	0.1875sq x .75	6.17	2.12	3.44	2.62	NA	0.63	0.44	9.48	1.64
				3	3" NPT	3" NPT	NA	6.17	2.12	3.44	2.62	NA	0.63	0.44	9.48	1.64
	B4ZRKS*	Mechanical	CW	4	4" NPT	3.00 125# ANSI	.38sq x 2.500	11.50	10.50	6.00	5.00	9.00	0.75	0.63	9.91	4.63
	PUMP MODEL	SHAFT SEAL	ROT	FIGURE	SUCTION	DISCHARGE	KEY	P1	P2	Q	U	Y	Z	CP	DD2	DD3
								P1	P2	Q	U	Y	Z	CP	DD2	DD3
DIMENSIONS P1-DD3	B2XRKS	Mechanical	CW	1	2" NPT	2" NPT	0.1875sq x 1.00	1.53	0.78	2.28	0.51	4.75	2.63	9.29	5.37	NA
				2	2" NPT	2" NPT	NA	1.53	0.78	2.28	NA	4.75	2.63	9.29	5.37	1.81
	B3TRKS	Mechanical	CW	1	3" NPT	3" NPT	0.1875sq x .75	0.88	1.24	2.88	0.51	6.91	2.59	13.24	7.97	NA
				3	3" NPT	3" NPT	NA	0.88	1.24	2.88	NA	6.91	2.59	13.24	7.97	2.00**
	B4ZRKS*	Mechanical	CW	4	4" NPT	3.00 125# ANSI	.38sq x 2.500	0.75	0.75	6.88	1.487	7.17	5.60	26.54	6.75	NA

*Heavy duty "Z" frame.

**Add .38" for center of groove 1, subtract .38" for center of groove 2.

Electric Motor Drive Dimensions



PUMP MODEL	SHAFT SEAL	NPT SUCTION	DISCHARGE	Y	Z	DD2	D	LP	MP	P1	AG	CP	A	E	H	HP	MOTOR		
																	RPM	PH	FRAME
B2XPKS	Mechanical	2"	2" NPT	4.75	2.63	5.37	3.88	1.66	5.38	6.10	11.33	18.37	5.12	6.00	0.44	1.5	3600	1	56J
	Mechanical	2"	2" NPT	4.75	2.63	5.37	3.88	1.66	5.38	6.10	10.68	17.72	5.12	6.00	0.44	2	3600	1	56J
	Mechanical	2"	2" NPT	4.75	2.63	5.37	3.88	1.66	5.38	6.10	10.48	17.52	5.12	6.00	0.44	3	3600	1	56J
	Mechanical	2"	2" NPT	4.75	2.63	5.37	3.88	1.66	5.38	6.10	12.23	19.27	5.12	6.00	0.44	1.5	3600	3	56J
	Mechanical	2"	2" NPT	4.75	2.63	5.37	3.88	1.66	5.38	6.10	13.11	20.15	5.12	6.00	0.44	2	3600	3	56J
Mechanical	2"	2" NPT	4.75	2.63	5.37	3.88	1.66	5.38	6.10	10.22	17.26	5.12	6.00	0.44	3	3600	3	56J	

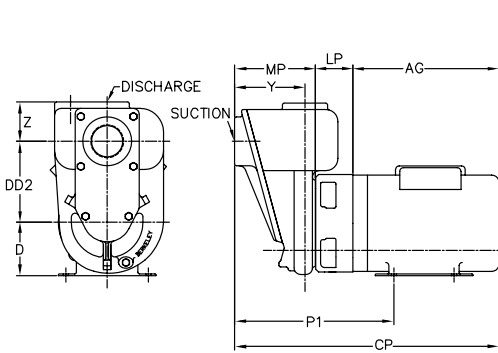


FIGURE 2

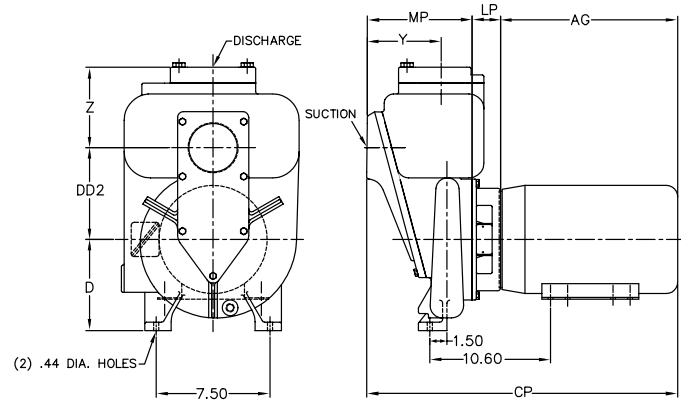
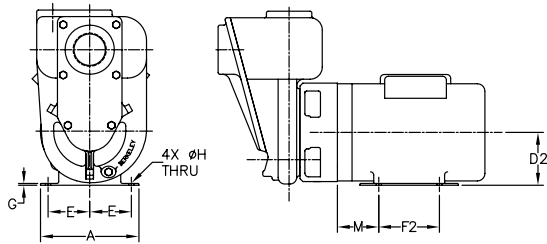


FIGURE 3

PUMP MODEL	SHAFT SEAL	NPT SUCTION	DISCHARGE	FIGURE	FRAME GROUP*	Y	Z	DD2	D	LP	MP	P1	AG	CP
B3TPKS	Mechanical	3"	3" NPT	2	C-1	6.91	2.59	7.97	5.25	2.50	8.98	15.73	14.42	25.90
	Mechanical	3"	3" NPT	2	C-1	6.91	2.59	7.97	5.25	2.50	8.98	15.73	14.06	25.54
	Mechanical	3"	3" NPT	2	C-1	6.91	2.59	7.97	5.25	2.50	8.98	15.73	15.56	27.04
	Mechanical	3"	3" NPT	2	C-1	6.91	2.59	7.97	3.50	2.50	8.98	14.23	10.37	21.85
	Mechanical	3"	3" NPT	2	C-1	6.91	2.59	7.97	4.50	2.50	8.98	6.00	11.84	23.32
	Mechanical	3"	3" NPT	2	C-1	6.91	2.59	7.97	4.50	2.50	8.98	14.98	13.34	24.82
	Mechanical	3"	3" NPT	2	C-1	6.91	2.59	7.97	3.50	2.50	8.98	14.36	9.37	20.85
	Mechanical	3"	3" NPT	2	C-1	6.91	2.59	7.97	3.50	2.50	8.98	14.36	9.87	21.35
B4TPKLS	Mechanical	4"	3.00 125# ANSI	2	C-1	7.66	3.47	6.75	4.50	2.50	10.10	16.10	13.34	25.94
	Mechanical	4"	3.00 125# ANSI	2	C-1	7.66	3.47	6.75	4.50	2.50	10.10	16.22	11.23	23.83
B4TPKHS	Mechanical	4"	3.00 125# ANSI	2	C-1	7.66	3.47	6.75	5.25	2.50	10.10	16.85	13.69	26.29
	Mechanical	4"	3.00 125# ANSI	2	C-1	7.66	3.47	6.75	4.50	2.50	10.10	16.22	12.23	24.83
B4ZPKS	Mechanical	4"	3.00 125# ANSI	3	C-1	7.17	5.60	6.75	8.00	2.38	9.28	15.91	13.69	25.35
	Mechanical	4"	3.00 125# ANSI	3	C-1	7.17	5.60	6.75	8.00	2.38	9.28	15.91	11.17	22.83
	Mechanical	4"	3.00 125# ANSI	3	C-1	7.17	5.60	6.75	8.00	2.38	9.28	15.91	14.76	26.42
	Mechanical	4"	3.00 125# ANSI	3	C-1	7.17	5.60	6.75	8.00	2.38	9.28	15.28	12.23	23.89
	Mechanical	4"	3.00 125# ANSI	3	C-1	7.17	5.60	6.75	8.00	2.38	9.28	15.91	14.06	25.72
Mechanical	4"	3.00 125# ANSI	3	C-1	7.17	5.60	6.75	8.00	2.38	9.28	15.91	15.56	27.22	

*Refer to page 7 for electric motor dimensions.

Electric Motor Dimensions



Single Phase – NEMA “C” Face Type Motors, Drip Proof Close Coupled

HORSEPOWER			TCZ, JM, and JP FRAMES
1200 RPM	1800 RPM	3600 RPM	
NA	1	1.5	143
NA	1.5	2	145
1	2	3	182
1.5	3	5	184
2	5	7.5	213
3	7.5 & 10	10	215

Three Phase

HORSEPOWER			TCZ, JM, and JP FRAMES
1200 RPM	1800 RPM	3600 RPM	
NA	1	1.5	143
NA	1.5	2	145
1	2	3	145
1.5	3	5	182
2	5	7.5	184
3	7.5	10	213
5	10	15	215
7.5	15	20	254
10	20	25	256
20	25	30	284
25	30	40	286
30	40	50	324
40	50	60	326
50	60	75	364 TY
NA	75	100	365 TY
NA	100	125	404 TY
NA	125	150	405 TY
NA	150	NA	444 TY

All dimensions shown in inches

FRAME SIZE	FRAME GROUP	A	D2	E	F2	G	H	M
143 TCZ & JP/JM	C-1	7.00	3.50	2.75	4.00	0.25	0.34	2.75
145 TCZ & JP/JM		7.00	3.50	2.75	5.00	0.25	0.34	2.75
182 JP/JM		9.00	4.50	3.75	4.50	0.44	0.41	3.38
182 TCZ		9.00	4.50	3.75	4.50	0.44	0.41	3.38
184 JP/JM		9.00	4.50	3.75	5.50	0.44	0.41	3.38
184 TCZ		9.00	4.50	3.75	5.50	0.44	0.41	3.38
213 JP/JM		10.50	5.25	4.25	5.50	0.50	0.41	4.25
213 TCZ		10.50	5.25	4.25	5.50	0.50	0.41	4.25
215 JP/JM		10.50	5.25	4.25	7.00	0.50	0.41	4.25
215 TCZ		10.50	5.25	4.25	7.00	0.50	0.41	4.25
254 TCZ & JP/JM	C-2	12.38	6.25	5.00	8.25	0.75	0.53	4.75
256 TCZ		12.38	6.25	5.00	10.00	0.75	0.53	4.75
284 JP/JM		13.88	7.00	5.50	9.50	0.75	0.53	4.75
284 TCZ		13.88	7.00	5.50	9.50	0.75	0.53	4.75
286 JP/JM		13.88	7.00	5.50	11.00	0.75	0.53	4.75
286 TCZ		13.88	7.00	5.50	11.00	0.75	0.53	4.75
324 TCZ & JP/JM	C-3	15.88	8.00	6.25	10.50	0.88	0.66	5.25
326 TCZ & JP/JM		15.88	8.00	6.25	12.00	0.88	0.66	5.25
364 JP	C-3	17.75	9.00	7.00	11.25	1.00	0.66	5.88
364 TY		17.75	9.00	7.00	11.25	1.00	0.66	6.88
365 JP		17.75	9.00	7.00	12.25	1.00	0.66	5.88
365 TY		17.75	9.00	7.00	12.75	1.00	0.66	6.88
404 TY		19.75	10.00	8.00	12.25	1.13	0.81	7.63
405 TY		19.75	10.00	8.00	13.75	1.13	0.81	7.63
444 TY	C-4	21.75	11.00	9.00	14.50	1.38	0.81	7.50
445 TY		21.75	11.00	9.00	16.50	1.38	0.81	7.50

Note: Frame sizes 143 TC and 145 TCZ, 254 TC and 256 TC, 324 TC and 326 TC, are interchangeable with JP frames. All other frame sizes are not interchangeable.



293 WRIGHT STREET, DELAVAN, WI 53115 WWW.BERKELEYPUMPS.COM
PH: 888-237-5353 ORDERS FAX: 800-321-8793

Because we are continuously improving our products and services, Pentair reserves the right to change specifications without prior notice.