

The VKC Series

Using rare-earth Neodymium magnets, VKC Series pumps achieve a truly sealless, vertical pump design free of wetted shaft bearings. A completely sealed, air tight column and the absence of a secondary/back impeller prevent aeration (virtually eliminating micro-bubbles) and the release of fugitive environmental emissions.

The VKC Series answers conventional vertical pump applications within a wide range of operating conditions.

Features

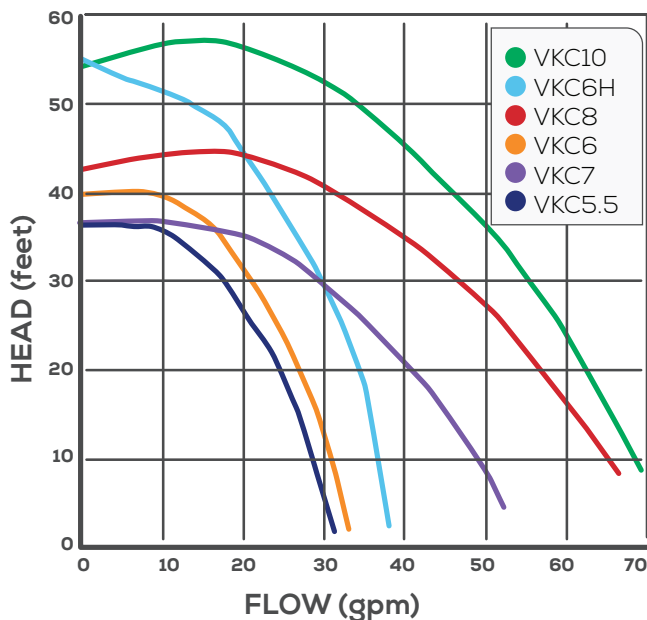
- Magnetic drive
- Non-aerating (no micro-bubbles)
- Reduced environmental emissions
- No wetted shaft bearings
- Mounts inside or outside of tank
- Polypropylene or PVDF construction
- Accepts standard NEMA or IEC motors
- Modular build: in 6" increments from 12" (30 cm) to 60" (152 cm)
- Up to 1.8 specific gravity
- Maximum temperature 140°F (60°C)
- Maximum working pressure: 60 psi



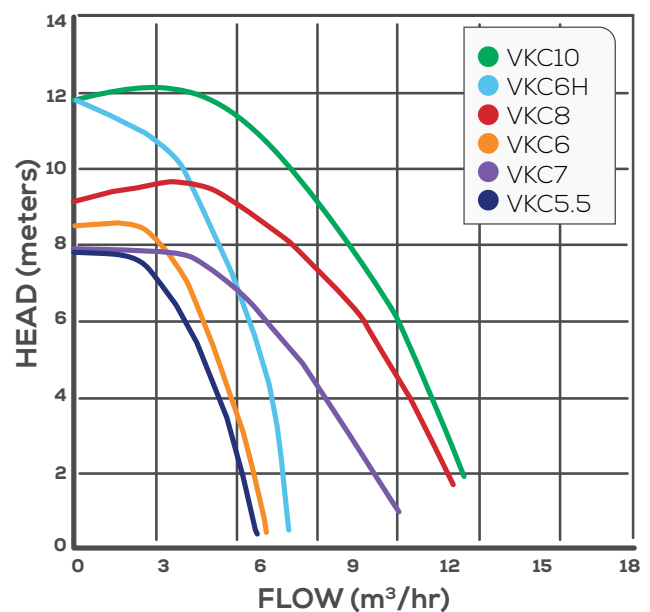
Typical Applications

- Circulation through filters & eductors
- Bio-filtration & odor control
- Fume scrubbers
- Chemical sumps

60 Hz, 3450 rpm



50 Hz 2900 rpm



Specifications

| Model | Suction x Discharge | Impeller Size | | Maximum Flow | | Maximum Head | | Motor Drive | |
|--------|---------------------|---------------|-----|-----------------|-------------------------------|----------------|---------------|----------------|----------------|
| | MNPT/BSP inch | inch | cm | 3450 rpm gpm | 2900 rpm m ³ /h | 3450 rpm ft | 2900 rpm m | 3450 rpm hp | 2900 rpm kW |
| VKC5.5 | 1 x 3/4 | 3.0 | 7.6 | 31 | 5.7 | 37 | 7.8 | 1/3 | 0.25 |
| VKC6 | 1 x 3/4 | 3.1 | 7.9 | 33 | 5.9 | 40 | 8.5 | 1/2 | 0.25 |
| VKC6H | 1 x 3/4 | 3.9 | 9.8 | 38 | 7 | 55 | 11.9 | 3/4 | 0.37 |
| VKC7 | 1-1/2 x 1 | 3.1 | 7.9 | 52 | 9.5 | 37 | 7.9 | 1/2 | 0.25 |
| VKC8 | 1-1/2 x 1 | 3.5 | 8.9 | 67 | 12 | 43 | 9.5 | 3/4 | 0.37 |
| VKC10 | 1-1/2 x 1 | 3.9 | 9.8 | 69 | 12.6 | 54 | 12 | 1 | 0.55 |

Dimensions

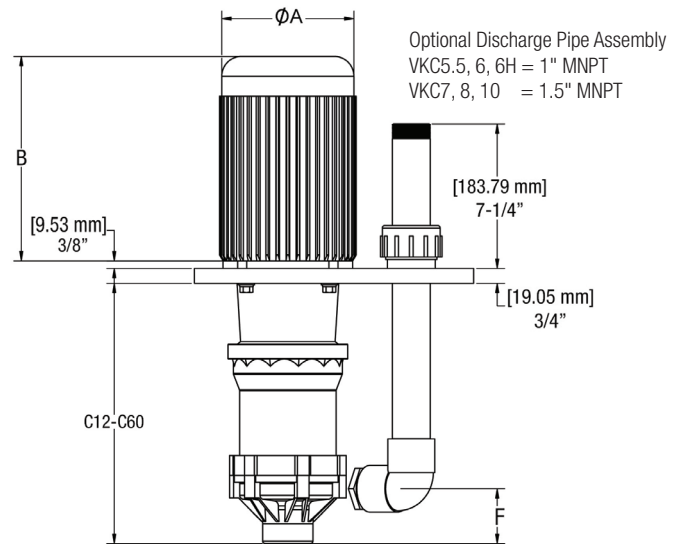
With NEMA Motors (inches)

| Model | NEMA Frame | A* | B* | D | E | F |
|-------------|------------|-------|----|--------|---------|--------|
| VKC5.5/6/6H | 56C | 6-1/2 | 9 | 2-9/16 | 2-15/16 | 2-1/16 |
| VKC7/8/10 | 56C | 6-1/2 | 9 | 3-1/8 | 2-7/8 | 2-3/4 |

With IEC Motors (cm)

| Model | IEC Frame | A* | B* | D | E | F |
|-----------|-----------|------|------|-----|-----|-----|
| VKC5.5/6 | 63 | 9 | 18.4 | 6.5 | 7.5 | 5.2 |
| VKC6/6H | 71 | 10.5 | 20.3 | 6.5 | 7.5 | 5.2 |
| VKC7/8/10 | 71 | 10.5 | 20.3 | 7.9 | 7.3 | 7 |

*Varies with motor manufacturer.

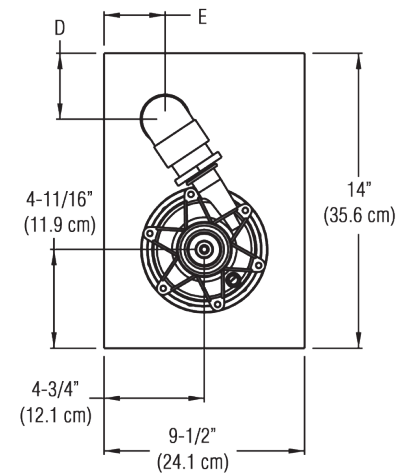


Available Module Lengths (inches)

| Model | C12 | C18 | C24 | C30 | C36 | C42 | C48 | C54 | C60 |
|-------------|---------|--------|---------|---------|--------|---------|--------|----------|--------|
| VKC5.5/6/6H | 12-5/16 | 18-3/8 | 24-7/16 | 30-7/16 | 36-1/2 | 42-9/16 | 48-5/8 | 54-11/16 | 60-3/4 |
| VKC7/8/10 | 13-1/16 | 19-1/8 | 25-3/16 | 31-3/16 | 37-1/4 | 43-5/16 | 49-3/8 | 55-7/16 | 61-1/2 |

Available Module Lengths (cm)

| Model | C12 | C18 | C24 | C30 | C36 | C42 | C48 | C54 | C60 |
|-------------|------|------|------|------|------|-------|-------|-------|-------|
| VKC5.5/6/6H | 31.3 | 46.7 | 62.1 | 77.3 | 92.7 | 108.1 | 123.5 | 138.9 | 154.3 |
| VKC7/8/10 | 33.2 | 48.6 | 64 | 79.2 | 94.6 | 110 | 125.4 | 140.8 | 156.2 |



BOTTOM VIEW



FINISH THOMPSON INC. - UNITED STATES

921 Greengarden Road | Erie, PA 16501
800.934.9384 | ph 814.455.4478 | fx 814.455.8518
email fti@finishthompson.com

FINISH THOMPSON INC. - GERMANY

Otto-Hahn-Strasse 16 | Maintal, D-63477 Germany
49 (0)6181-90878-0 | fx 49 (0)6181-90878-18
email fti@finishthompson.com