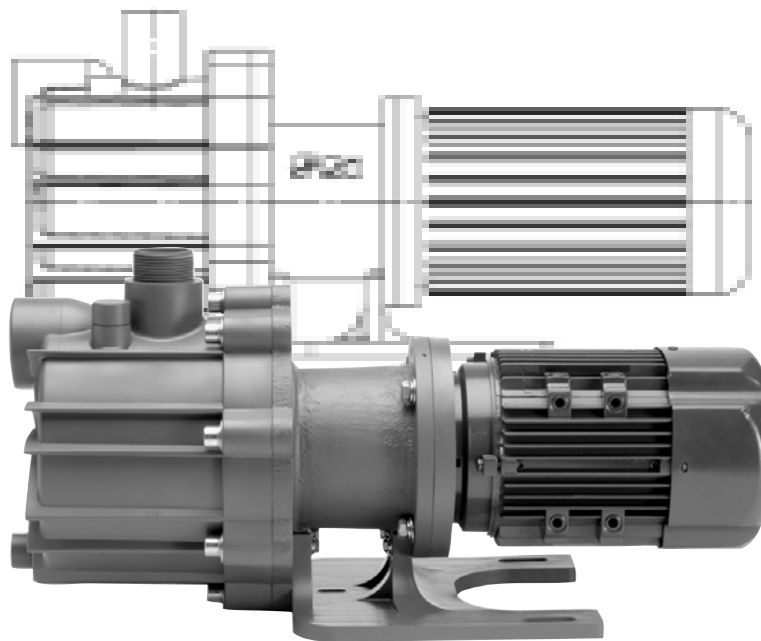


SP SERIES OUTLINE DIMENSIONS

Self-Priming Pumps

Literature ID No. FT06-937, Rev 3



FINISH THOMPSON INC.

Table of Contents

SP10 Outline Dimensions, Threaded Housing, R100537.....	3
SP10 Outline Dimensions, Union Housing, R100564	4
SP10 Outline Dimensionns, Flanged Housing, R100565.....	5
SP11/15 Outline Dimensions, R100437.....	6
SP11/15 Outline Dimensions, Union Housing, R100438	7
SP11/15 Outline Dimensions, Flanged Housing, R100439.....	8
SP11/15 Outline Dimensions, 80/90 B5 frame, R100465	9
SP11/15 Outline Dimensions, 80/90 B5 frame, Union Housing, R100466.....	10
SP11/15 Outline Dimensions, 80/90 B5 frame, Flanged Housing, R100467	11
SP11/15 Outline Dimensions, 100/112 B5 frame, R100469.....	12
SP11/15 Outline Dimensions, 100/112 B5 frame, Union Housing, R100470	13
SP11/15 Outline Dimensions, 100/112 B5 frame, Flanged Housing, R100471	14
SP22 Outline Dimensions, Threaded Housing, R100538.....	15
SP22 Outline Dimensions, Union Housing, R100539.....	16
SP22 Outline Dimensions, Flanged Housing, R100540.....	17

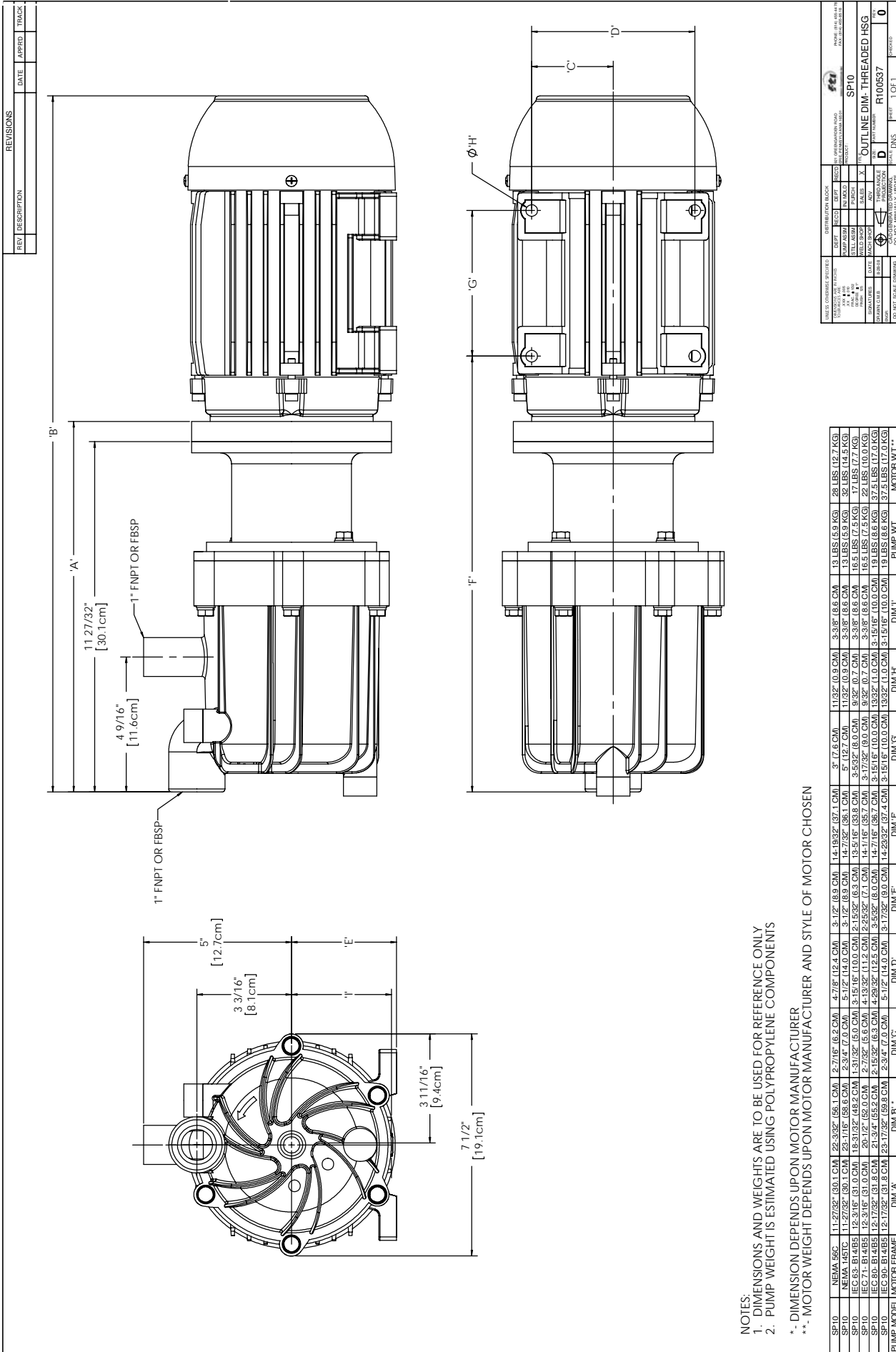
Contact Information:

Finish Thompson Inc.
921 Greengarden Rd.
Erie, PA 16501-1591 USA

Ph 1-814-455-4478
Toll Free 1-800-934-9384 (USA & Canada only)
Fax 1-814-455-8518
Order Fax 1-814-459-3460
Email sales@finishthompson.com

Tech Service 1-800-888-3743

SP10 Outline Dimensions
Threaded Housing R100537



REV	DESCRIPTION	DATE	APPROV	TRACK

LIMITS DIMENSIONS FINISHED		DISTRIBUTION BLOCK		MATERIALS		OTHER INFORMATION	
TYPE	UNIT	TYPE	UNIT	DESCRIPTION	DESCRIPTION	DESCRIPTION	DESCRIPTION

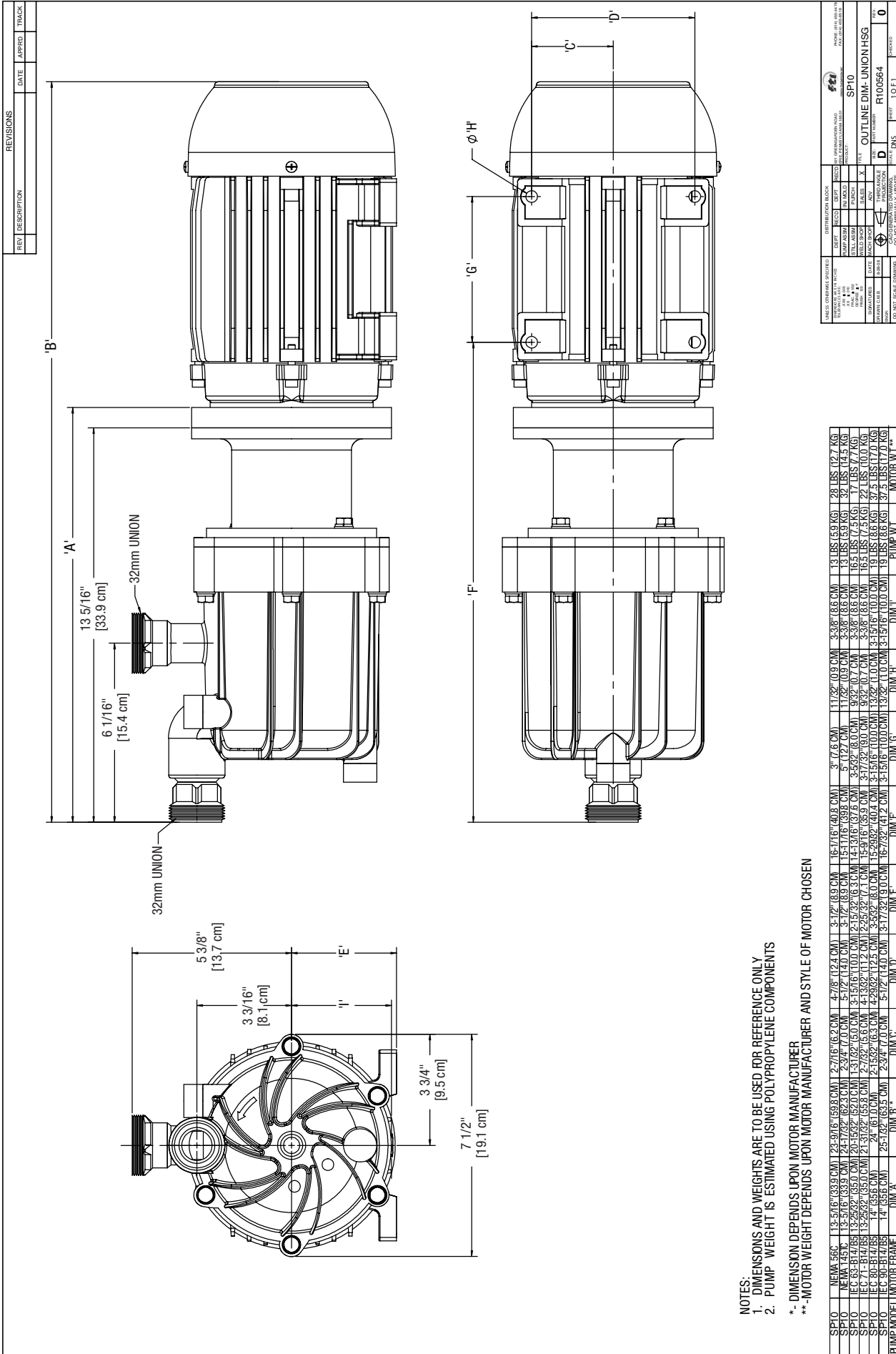
--	--	--	--	--	--	--	--	--	--

--	--	--	--	--	--	--	--	--	--

PUMP MODEL	MOTOR FRAME	DIM 'A'	DIM 'B' *	DIM 'C'	DIM 'D'	DIM 'E'	DIM 'F'	DIM 'G'	DIM 'H'	DIM 'I'	DIM 'J'	PUMP WT	MOTOR WT *
SP10	NEMA 56C	11-2732" (30.1 CM)	22-332" (56.1 CM)	2-716" (5.9 CM)	4-716" (12.4 CM)	3-12" (8.9 CM)	14-1932" (37.1 CM)	3" (7.6 CM)	1132" (0.9 CM)	3-39" (8.6 CM)	19 LBS (8.9 KG)	28 LBS (12.7 KG)	
SP10	NEMA 145TC	11-2732" (30.1 CM)	23-116" (58.1 CM)	2-316" (7.0 CM)	5-12" (14.0 CM)	3-12" (8.9 CM)	14-732" (36.1 CM)	5" (12.7 CM)	1132" (0.9 CM)	3-39" (8.6 CM)	13 LBS (5.9 KG)	32 LBS (14.5 KG)	
SP10	IEC 63-B14B5	12-316" (31.0 CM)	18-316" (46.2 CM)	1-316" (5.0 CM)	3-1916" (10.0 CM)	2-1532" (6.3 CM)	13-516" (33.8 CM)	3-592" (8.0 CM)	932" (0.7 CM)	3-39" (8.6 CM)	16.5 LBS (7.5 KG)	17 LBS (7.7 KG)	
SP10	IEC 71-B14B5	12-316" (31.0 CM)	20-12" (52.0 CM)	2-732" (5.6 CM)	4-1932" (11.2 CM)	2-2532" (7.1 CM)	14-116" (36.7 CM)	3-1732" (9.0 CM)	932" (0.7 CM)	3-39" (8.6 CM)	16.5 LBS (7.5 KG)	22 LBS (10.0 KG)	
SP10	IEC 80-B14B5	12-1732" (31.8 CM)	21-34" (55.2 CM)	2-1932" (6.3 CM)	4-2932" (12.5 CM)	3-592" (8.0 CM)	14-716" (36.7 CM)	3-1516" (10.0 CM)	1332" (1.0 CM)	3-1516" (10.0 CM)	19 LBS (8.6 KG)	37.5 LBS (17.0 KG)	
SP10	IEC 90-B14B5	12-1732" (31.8 CM)	23-1732" (59.8 CM)	2-34" (7.0 CM)	5-12" (14.0 CM)	3-1732" (9.0 CM)	14-2932" (37.4 CM)	3-1516" (10.0 CM)	1332" (1.0 CM)	3-1516" (10.0 CM)	19 LBS (8.6 KG)	37.5 LBS (17.0 KG)	

- NOTES:
 1. DIMENSIONS AND WEIGHTS ARE TO BE USED FOR REFERENCE ONLY
 2. PUMP WEIGHT IS ESTIMATED USING POLYPROPYLENE COMPONENTS
 * - DIMENSION DEPENDS UPON MOTOR MANUFACTURER
 ** - MOTOR WEIGHT DEPENDS UPON MOTOR MANUFACTURER AND STYLE OF MOTOR CHOSEN

SP10 Outline Dimensions
 Union Housing - R100564



REV	DESCRIPTION	DATE	APPROV	TRACK

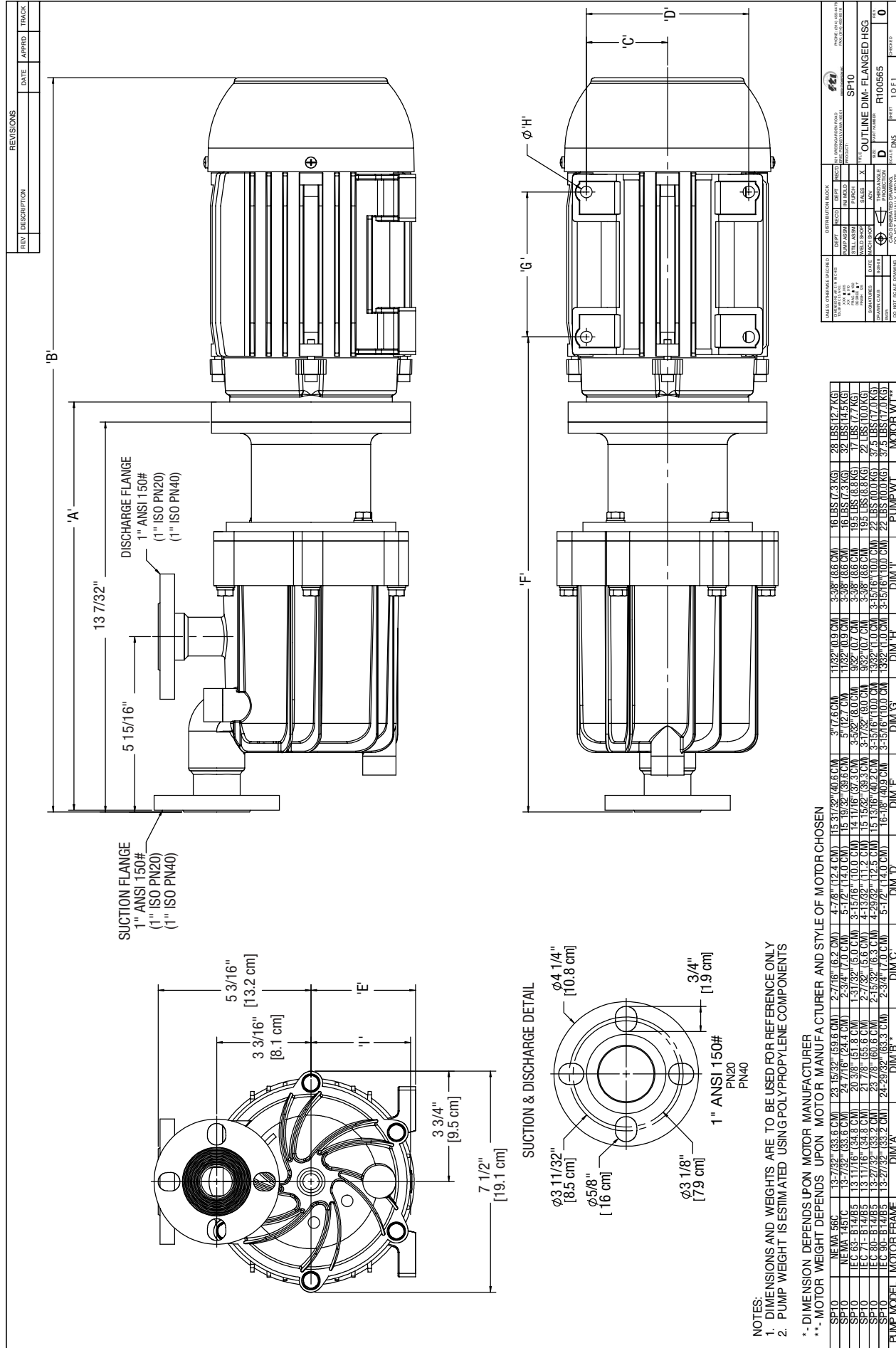
REV	DESCRIPTION	DATE	APPROV	TRACK

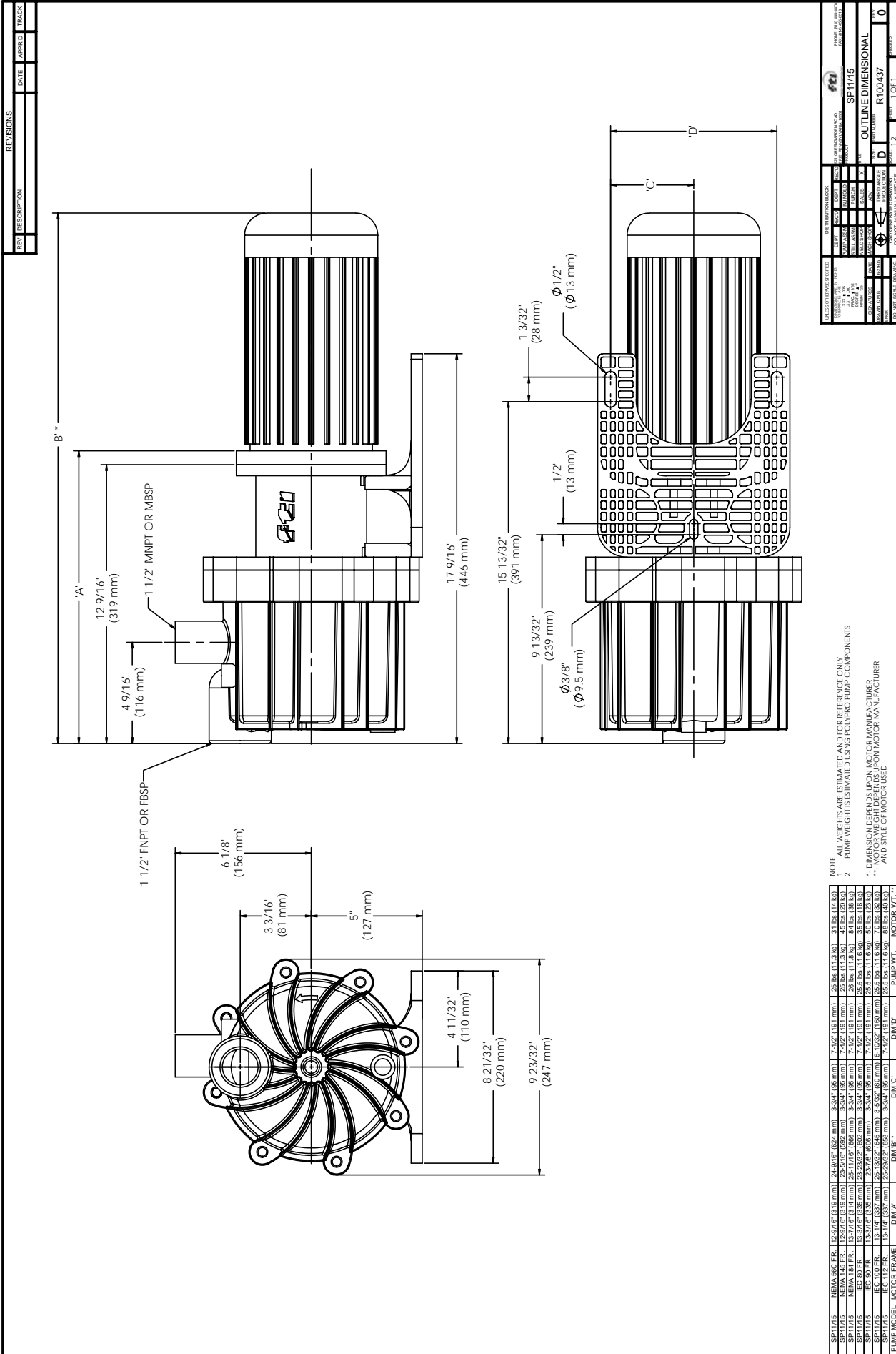
NOTES:
 1. DIMENSIONS AND WEIGHTS ARE TO BE USED FOR REFERENCE ONLY
 2. PUMP WEIGHT IS ESTIMATED USING POLYPROPYLENE COMPONENTS
 *- MOTOR WEIGHT DEPENDS UPON MOTOR MANUFACTURER AND STYLE OF MOTOR CHOSEN
 **- MOTOR WEIGHT DEPENDS UPON MOTOR MANUFACTURER AND STYLE OF MOTOR CHOSEN

PUMP MODEL	MOTOR FRAME	DIM A	DIM B	DIM C	DIM D	DIM E	DIM F	DIM G	DIM H	DIM I	DIM J	PUMP WT	MOTOR WT
SP10	NEVA 56C	13-5/16" (33.9 cm)	23-3/16" (59.8 cm)	2-7/16" (6.2 cm)	4-7/8" (12.4 cm)	3-1/2" (8.9 cm)	16-11/16" (40.8 cm)	3-1/2" (8.9 cm)	11-3/8" (29.3 cm)	3-3/8" (8.6 cm)	13 LBS (5.9 KG)	28 LBS (12.7 KG)	
SP10	NEVA 145C	13-5/16" (33.9 cm)	24-1/8" (61.3 cm)	2-3/4" (7.0 cm)	5-1/2" (14.0 cm)	3-1/2" (8.9 cm)	15-1/16" (39.3 cm)	3-3/8" (8.6 cm)	11-3/8" (29.3 cm)	3-3/8" (8.6 cm)	13 LBS (5.9 KG)	32 LBS (14.5 KG)	
SP10	EC 63-B14/B5	13-5/16" (33.9 cm)	20-15/32" (52.0 cm)	2-5/8" (6.3 cm)	4-13/16" (11.2 cm)	3-5/8" (9.5 cm)	14-1/8" (36.5 cm)	3-3/8" (8.6 cm)	9-3/4" (24.8 cm)	3-3/8" (8.6 cm)	16.5 LBS (7.5 KG)	17 LBS (7.7 KG)	
SP10	EC 71-B14/B5	13-5/16" (33.9 cm)	21-1/8" (54.3 cm)	2-5/8" (6.3 cm)	4-13/16" (11.2 cm)	3-5/8" (9.5 cm)	15-9/16" (39.9 cm)	3-3/8" (8.6 cm)	9-3/4" (24.8 cm)	3-3/8" (8.6 cm)	16.5 LBS (7.5 KG)	22 LBS (10.0 KG)	
SP10	EC 80-B14/B5	13-5/16" (33.9 cm)	21-1/8" (54.3 cm)	2-5/8" (6.3 cm)	4-13/16" (11.2 cm)	3-5/8" (9.5 cm)	15-29/32" (40.4 cm)	3-3/8" (8.6 cm)	13-5/8" (34.6 cm)	3-3/8" (8.6 cm)	19 LBS (8.6 KG)	37.5 LBS (17.0 KG)	
SP10	EC 90-B14/B5	13-5/16" (33.9 cm)	21-1/8" (54.3 cm)	2-5/8" (6.3 cm)	4-13/16" (11.2 cm)	3-5/8" (9.5 cm)	15-29/32" (40.4 cm)	3-3/8" (8.6 cm)	13-5/8" (34.6 cm)	3-3/8" (8.6 cm)	19 LBS (8.6 KG)	37.5 LBS (17.0 KG)	

UNION HOUSING SPECIFICATIONS		DISTRIBUTION BLOCK		MATERIALS		FINISHES		OTHER	
TYPE	SP10	TYPE	SP10	TYPE	SP10	TYPE	SP10	TYPE	SP10
SIZE	R100564	SIZE	R100564	SIZE	R100564	SIZE	R100564	SIZE	R100564
DATE		DATE		DATE		DATE		DATE	
REV		REV		REV		REV		REV	

SP10 Outline Dimensions
Flanged Housing - R100565





NOTE:
1. ALL WEIGHTS ARE ESTIMATED AND FOR REFERENCE ONLY.
2. PUMP WEIGHT IS ESTIMATED USING POLYPRO PUMP COMPONENTS.
3. DIMENSIONS DEPENDS UPON MOTOR MANUFACTURER.
4. MOTOR WEIGHT DEPENDS UPON MOTOR MANUFACTURER AND STYLE OF MOTOR USED.

PUMP MODEL	MOTOR FRAME	DMA	DMA B	DMA C	DMA D	PUMP WT.	MOTOR WT.
SP11/15	NEMA 56C FR.	12-201/6" (319 mm)	26-91/16" (664 mm)	3-3/4" (95 mm)	7-1/2" (191 mm)	26 lbs (11.3 kg)	31 lbs (14.0 kg)
SP11/15	NEMA 145 FR.	12-201/6" (319 mm)	22-51/16" (592 mm)	3-3/4" (95 mm)	7-1/2" (191 mm)	26 lbs (11.3 kg)	45 lbs (20.4 kg)
SP11/15	NEMA 154 FR.	13-71/16" (344 mm)	22-117/16" (606 mm)	3-3/4" (95 mm)	7-1/2" (191 mm)	26 lbs (11.3 kg)	84 lbs (38.1 kg)
SP11/15	IEC 90 FR.	13-1/16" (338 mm)	22-3/8" (568 mm)	3-3/4" (95 mm)	7-1/2" (191 mm)	26 lbs (11.3 kg)	30 lbs (13.6 kg)
SP11/15	IEC 100 FR.	13-1/4" (337 mm)	22-33/32" (645 mm)	3-5/8" (95 mm)	7-1/2" (191 mm)	26 lbs (11.3 kg)	30 lbs (13.6 kg)
SP11/15	IEC 112 FR.	13-1/4" (337 mm)	22-29/32" (600 mm)	3-5/8" (95 mm)	6-13/32" (160 mm)	25.5 lbs (11.6 kg)	70 lbs (32.0 kg)
SP11/15	IEC 132 FR.	13-1/4" (337 mm)	22-29/32" (600 mm)	3-3/4" (95 mm)	7-1/2" (191 mm)	25.5 lbs (11.6 kg)	85 lbs (40.9 kg)

REV	DESCRIPTION	DATE	APPROV	TRACK

DESIGNATION	DESCRIPTION	DATE	BY	CHK

PROJECT NUMBER	PROJECT NAME	PROJECT LOCATION	PROJECT NUMBER

SCALE	DATE	BY	CHK

PROJECT NUMBER	PROJECT NAME	PROJECT LOCATION	PROJECT NUMBER

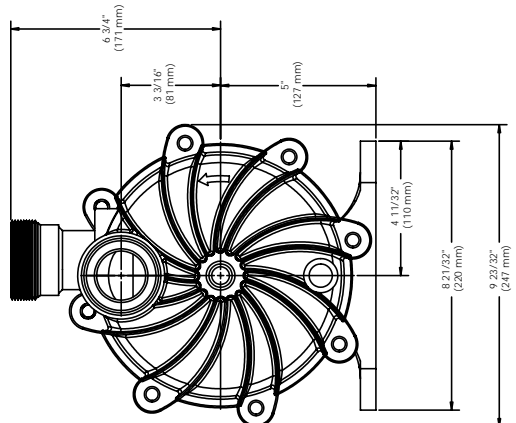
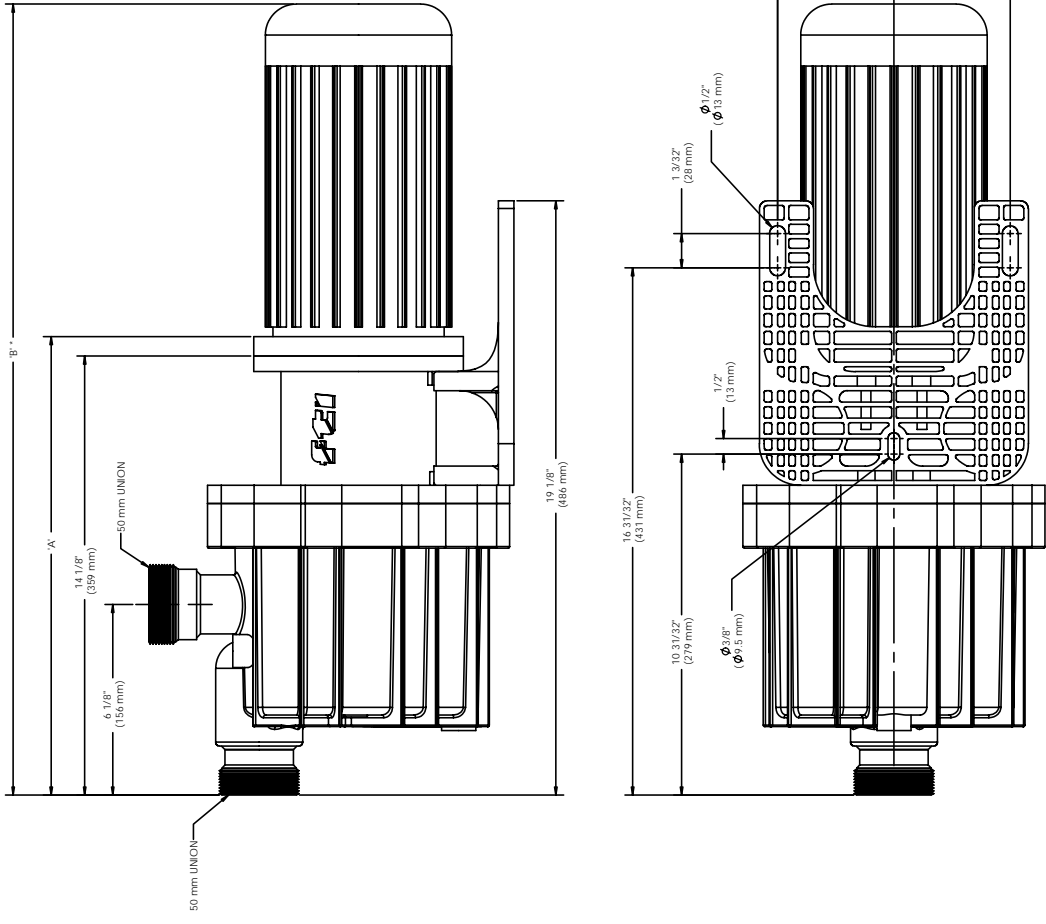
SCALE	DATE	BY	CHK

PROJECT NUMBER	PROJECT NAME	PROJECT LOCATION	PROJECT NUMBER

SCALE	DATE	BY	CHK

SP11/15 Outline Dimensions
 Union Housing - R100438

REV	DESCRIPTION	DATE	APPROVED	TRACK



UNITS		DESCRIPTION		REVISIONS	
INCHES	MM	DATE	BY	NO.	DESCRIPTION

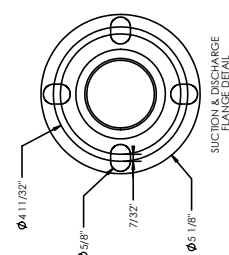
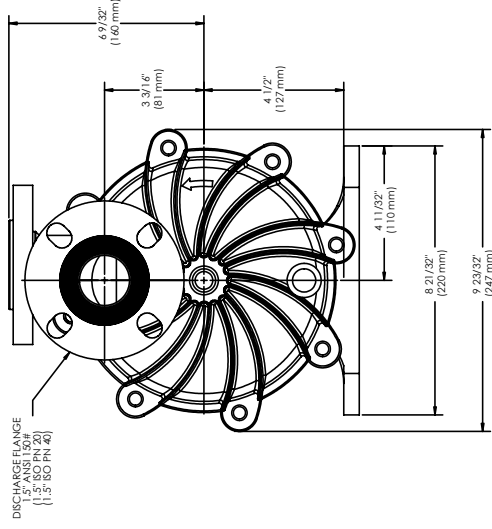
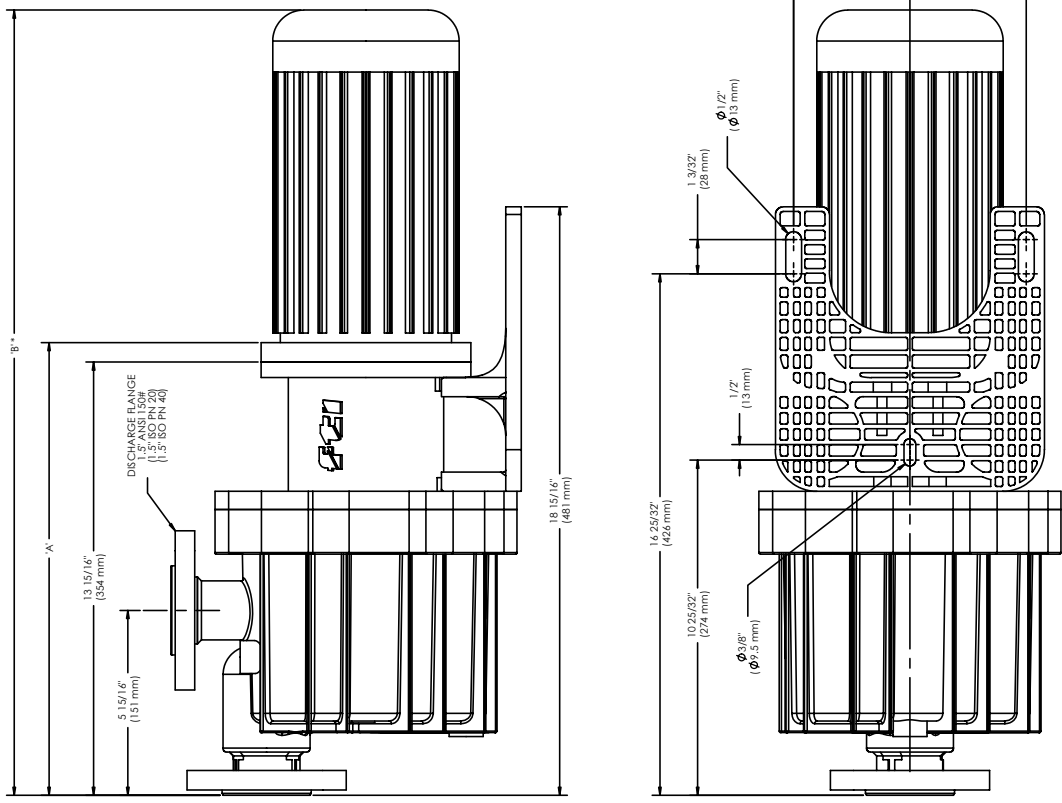
UNITS		DESCRIPTION		REVISIONS	
INCHES	MM	DATE	BY	NO.	DESCRIPTION

NOTE:
 1. ALL WEIGHTS ARE ESTIMATED AND FOR REFERENCE ONLY.
 2. PUMP WEIGHT IS ESTIMATED USING POLYPRO PUMP COMPONENTS.
 * DIMENSIONS DEFEND UPON MOTOR MANUFACTURER.
 ** MOTOR WEIGHT DEFENDS UPON MOTOR MANUFACTURER AND STYLE OF MOTOR USED.

PUMP MODEL	MOTOR FRAME	DM A	DM B*	DM C	DM D	PUMP WT.	MOTOR WT.**
SP11/15	NEVA 56C FR	14.1/8" (359 mm)	26.7/8" (682 mm)	3.3/4" (95 mm)	7.1/2" (191 mm)	25 lbs (11.3 kg)	31 lbs (14.1 kg)
SP11/15	NEVA 56E FR	14.1/8" (359 mm)	26.7/8" (682 mm)	3.3/4" (95 mm)	7.1/2" (191 mm)	25 lbs (11.3 kg)	48 lbs (22 kg)
SP11/15	NEVA 56A FR	14.1/8" (359 mm)	27.1/4" (692 mm)	3.3/4" (95 mm)	7.1/2" (191 mm)	26 lbs (11.8 kg)	84 lbs (38 kg)
SP11/15	EC 80T FR	14.3/4" (375 mm)	26.9/32" (684 mm)	3.3/4" (95 mm)	7.1/2" (191 mm)	25.5 lbs (11.6 kg)	86 lbs (39 kg)
SP11/15	EC 100 FR	14.3/4" (375 mm)	26.9/32" (684 mm)	3.3/4" (95 mm)	8.1/2" (216 mm)	25.5 lbs (11.6 kg)	70 lbs (32 kg)
SP11/15	EC 112 FR	14.3/4" (375 mm)	27.1/2" (698 mm)	3.3/4" (95 mm)	7.1/2" (191 mm)	25.5 lbs (11.6 kg)	88 lbs (40 kg)

SP11/15 Outline Dimensions
Flanged Housing - R100439

REV	DESCRIPTION	DATE	APPROVED	TRACK



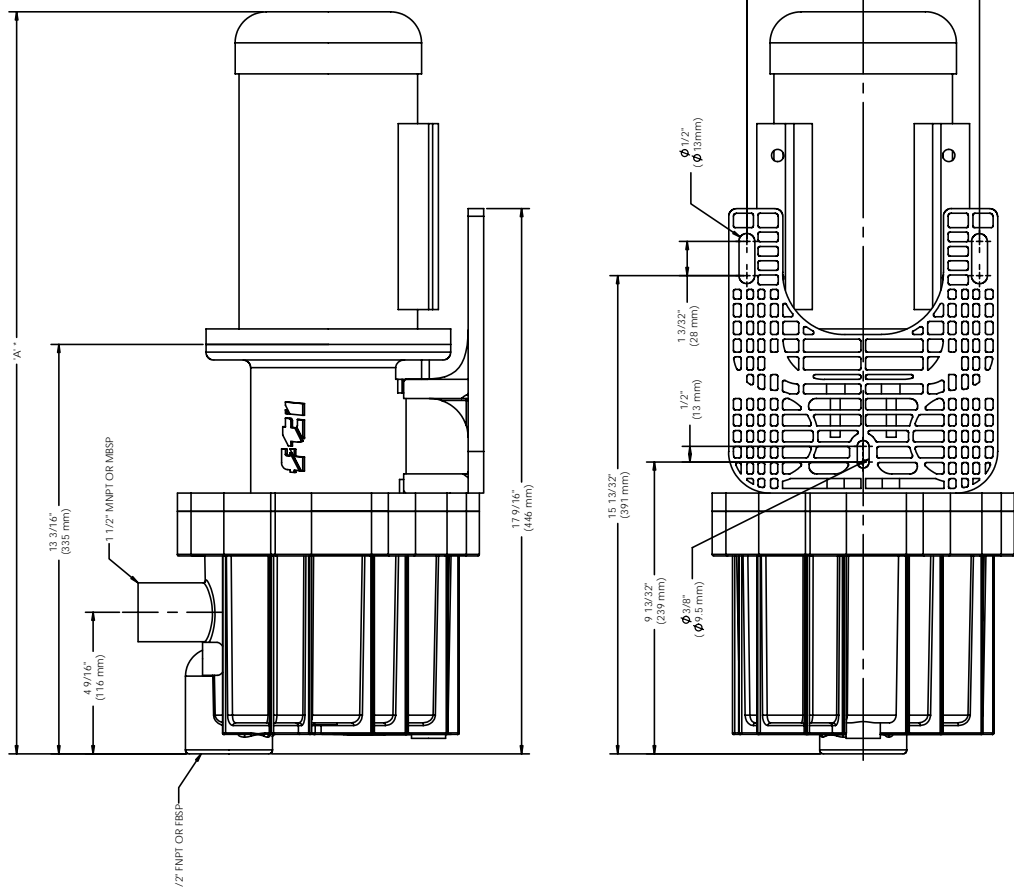
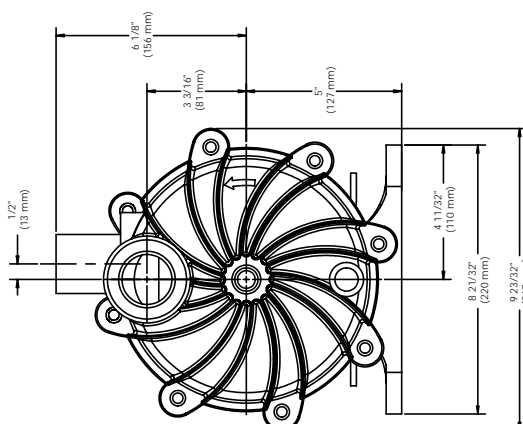
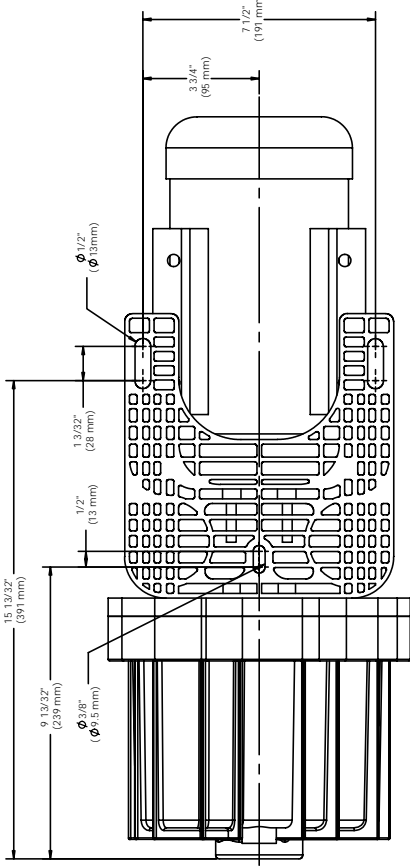
MATERIALS		FINISHES		COLORS		MARKINGS		REVISIONS		APPROVALS		REVISIONS	

NOTE:
 1. ALL WEIGHTS ARE ESTIMATED AND FOR REFERENCE ONLY
 2. PUMP WEIGHT IS ESTIMATED USING POLYPRO PUMP COMPONENTS
 * DIMENSION DEPENDS UPON MOTOR MANUFACTURER
 ** MOTOR WEIGHT DEPENDS UPON MOTOR MANUFACTURER
 AND STYLE OF MOTOR USED

PUMP MODEL	MOTOR FRAME	DM1A	DM1B*	DM1C*	DM1D*	DM1E*	DM1F*	DM1G*	DM1H*	DM1I*	DM1J*	DM1K*	DM1L*	MOTOR WT**
SP11/15	NEMA 56C FR	13-15/16" (34.4 mm)	25-51/16" (650 mm)	3-3/4" (95 mm)	7-1/2" (191 mm)	25 lbs (11.3 kg)	31 lbs (14.1 kg)	38 lbs (17.2 kg)	45 lbs (20.4 kg)	52 lbs (23.6 kg)	60 lbs (27.2 kg)	68 lbs (30.8 kg)	77 lbs (34.9 kg)	88 lbs (40.0 kg)
SP11/15	NEMA 145 FR	13-15/16" (34.4 mm)	24-11/16" (627 mm)	3-3/4" (95 mm)	7-1/2" (191 mm)	25 lbs (11.3 kg)	31 lbs (14.1 kg)	38 lbs (17.2 kg)	45 lbs (20.4 kg)	52 lbs (23.6 kg)	60 lbs (27.2 kg)	68 lbs (30.8 kg)	77 lbs (34.9 kg)	88 lbs (40.0 kg)
SP11/15	NEMA 184 FR	14-1/16" (37.6 mm)	27-1/16" (688 mm)	3-3/4" (95 mm)	7-1/2" (191 mm)	25 lbs (11.3 kg)	31 lbs (14.1 kg)	38 lbs (17.2 kg)	45 lbs (20.4 kg)	52 lbs (23.6 kg)	60 lbs (27.2 kg)	68 lbs (30.8 kg)	77 lbs (34.9 kg)	88 lbs (40.0 kg)
SP11/15	E.C. 80 FR	14-5/16" (37.0 mm)	25-1/8" (635 mm)	3-3/4" (95 mm)	7-1/2" (191 mm)	25 lbs (11.3 kg)	31 lbs (14.1 kg)	38 lbs (17.2 kg)	45 lbs (20.4 kg)	52 lbs (23.6 kg)	60 lbs (27.2 kg)	68 lbs (30.8 kg)	77 lbs (34.9 kg)	88 lbs (40.0 kg)
SP11/15	E.C. 100 FR	14-5/16" (37.0 mm)	26-23/32" (669 mm)	3-23/32" (95 mm)	6-10/32" (160 mm)	25.5 lbs (11.6 kg)	31.5 lbs (14.3 kg)	38.5 lbs (17.5 kg)	45.5 lbs (20.7 kg)	52.5 lbs (23.8 kg)	60.5 lbs (27.5 kg)	68.5 lbs (31.1 kg)	77.5 lbs (35.2 kg)	88.5 lbs (40.2 kg)
SP11/15	E.C. 112 FR	14-5/16" (37.0 mm)	27-9/32" (693 mm)	3-3/4" (95 mm)	7-1/2" (191 mm)	25.5 lbs (11.6 kg)	31.5 lbs (14.3 kg)	38.5 lbs (17.5 kg)	45.5 lbs (20.7 kg)	52.5 lbs (23.8 kg)	60.5 lbs (27.5 kg)	68.5 lbs (31.1 kg)	77.5 lbs (35.2 kg)	88.5 lbs (40.2 kg)

SP11/15 Outline Dimensions
80/90 B5, R100465


REV	DESCRIPTION	DATE	APPROV	TRACK

NOTE: 1. WEIGHTS ARE ESTIMATED AND FOR REFERENCE ONLY.
 2. PUMP WEIGHT IS ESTIMATED USING POLYPRO PUMP COMPONENTS
 * DIMENSION DEPENDS UPON MOTOR MANUFACTURER.
 **. MOTOR WEIGHT DEPENDS UPON MOTOR MANUFACTURER AND STYLE OF MOTOR USED

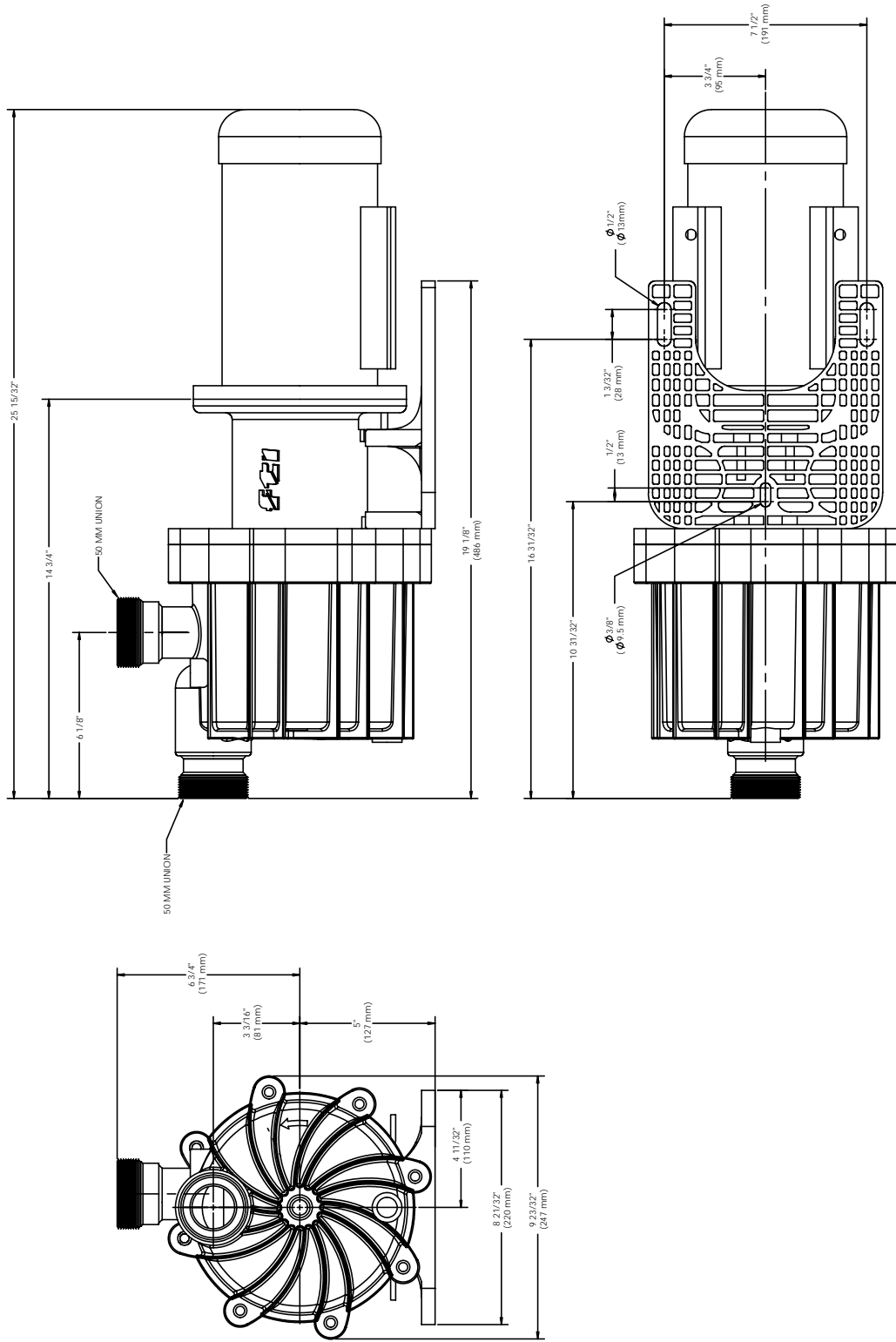
PUMP MODEL	MOTOR FRAME	DIM "A"*	PUMP WT	MOTOR WT **
SP11/15	IEC 80 FR B5 FLANGE	22-25/32" (578 mm)	28.5 lbs (12.9 kg)	35 lbs (16 kg)
SP11/15	IEC 90 FR B5 FLANGE	23-7/8" (606 mm)	28.5 lbs (12.9 kg)	50 lbs (23 kg)

SELECT CUSTOMER SYSTEM	DESIGNATION BLOCK	ISSUE

DRAWN BY: J. H. ...		SCALE: 1:1
CHECKED BY: J. H. ...		DATE: 12/08/05
DESIGNED BY: J. H. ...	ISSUE: 0	PAGE: 1 OF 1
 F20 POLYPRO MACHINERY CO. INC.		PROJECT NO.: SP11/15-80/90 B5 DRAWING NO.: R100465

SP11/15 Outline Dimensions
80/90 B5, Union Housing, R100466

REV	DESCRIPTION	DATE	APPROV	TRACK



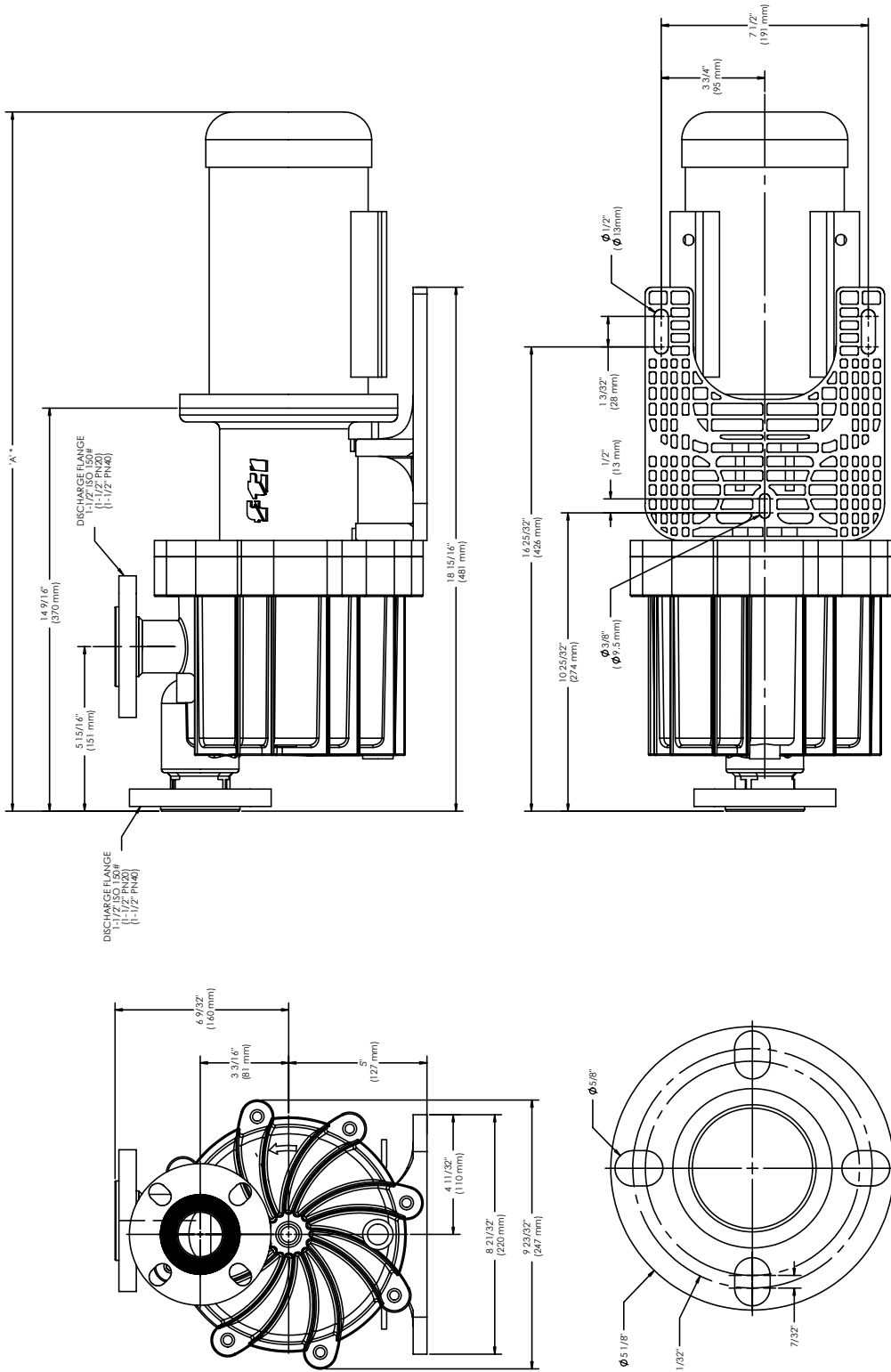
- NOTE:
1. ALL WEIGHTS ARE ESTIMATED AND FOR REFERENCE ONLY.
2. PUMP WEIGHT IS ESTIMATED USING POLYPRO PUMP COMPONENTS.
*. DIMENSION DEPENDS UPON MOTOR MANUFACTURER.
**. MOTOR WEIGHT DEPENDS UPON MOTOR MANUFACTURER AND STYLE OF MOTOR USED.

PUMP MODEL	MOTOR FRAME	DIM A	PUMP WT	MOTOR WT
SP11/15	IEC 80 FR B5 FLANGE	24-3/8" (619 mm)	28.5 lbs. (12.9 kg)	35 lbs. (16 kg)
SP11/15	IEC 90 FR B5 FLANGE	25-13/32" (647 mm)	28.5 lbs. (12.9 kg)	50 lbs. (23 kg)

DESIGNATION BLOCK		REVISIONS	
PROJECT NO.		NO.	
DATE		DATE	
DESIGNED BY		DESIGNED BY	
CHECKED BY		CHECKED BY	
APPROVED BY		APPROVED BY	
TITLE: OUTLINE DIM.- UNION HSG PART NO.: R100466		SHEET NO.: 1 TOTAL SHEETS: 1	

SP11/15 Outline Dimensions
80/90 B5, Flanged Housing, R100467

REV	DESCRIPTION	DATE	APPROV	TRACK



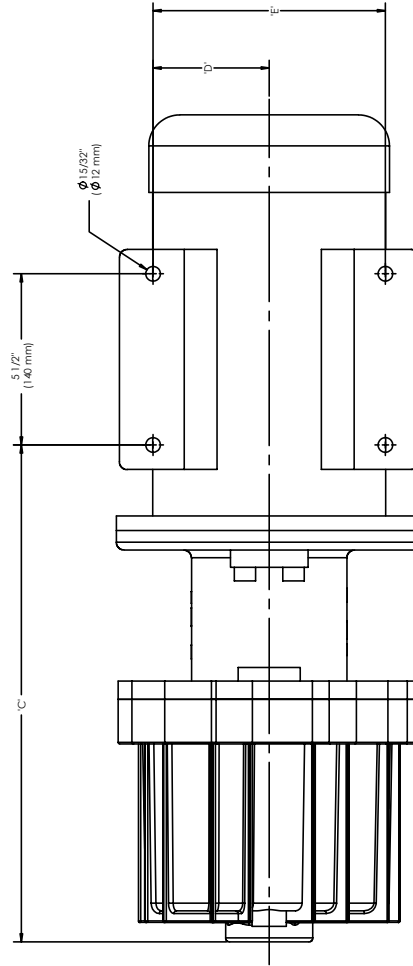
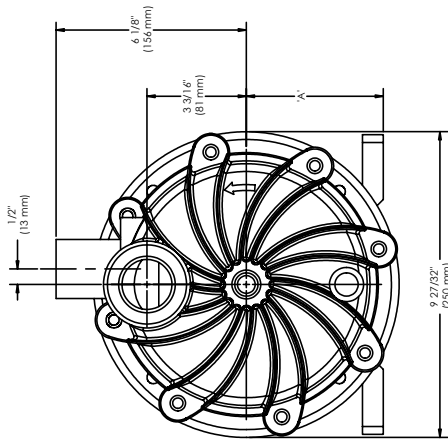
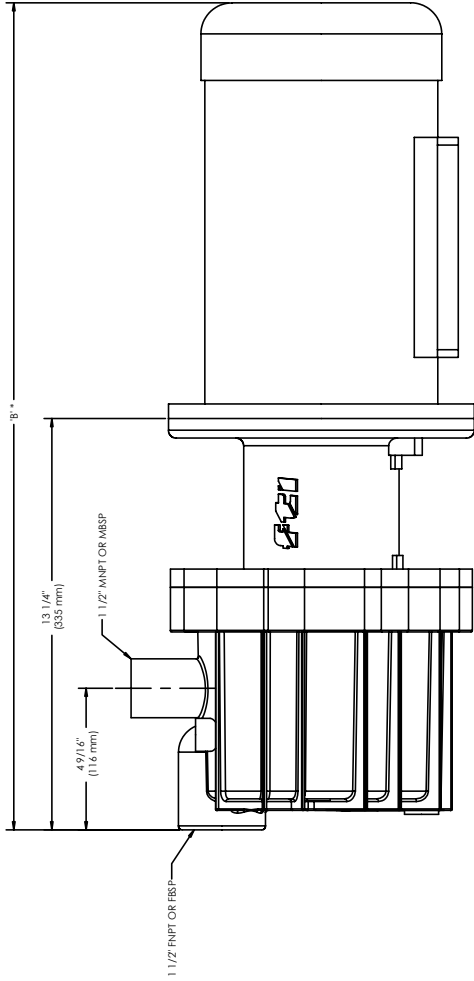
NOTE:
1. ALL WEIGHTS ARE ESTIMATED AND FOR REFERENCE ONLY.
2. PUMP WEIGHT IS ESTIMATED USING POLYPRO PUMP COMPONENTS.
* DIMENSION DEPENDS UPON MOTOR MANUFACTURER
** MOTOR WEIGHT DEPENDS UPON MOTOR MANUFACTURER AND STYLE OF MOTOR USED

PUMP MODEL	MOTOR FRAME	DIM A	PUMP WT	MOTOR WT	TOTAL WT
SP11/15	IEC 80 FR B5 FLANGE	24-3/16" (614 mm)	28.5 lbs (12.9 kg)	35 lbs (16 kg)	63.5 lbs (28.9 kg)
SP11/15	IEC 90 FR B5 FLANGE	25-9/32" (642 mm)	28.5 lbs (12.9 kg)	50 lbs (23 kg)	78.5 lbs (35.6 kg)

DESIGNATION BLOCK	REVISION	DATE	APPROV	TRACK

SP11/15-80/90 B5
OUTLINE DIM.- FLANGED HSG
R100467
1 OF 1

REV	DESCRIPTION	DATE	APPROV	TRACK



NOTE: 1. WEIGHTS ARE ESTIMATED AND FOR REFERENCE ONLY.
2. PUMP WEIGHT IS ESTIMATED USING POLYPRO PUMP COMPONENTS.
* DIMENSION DEPENDS UPON MOTOR MANUFACTURER.
** MOTOR WEIGHT DEPENDS UPON MOTOR MANUFACTURER AND STYLE OF MOTOR USED.

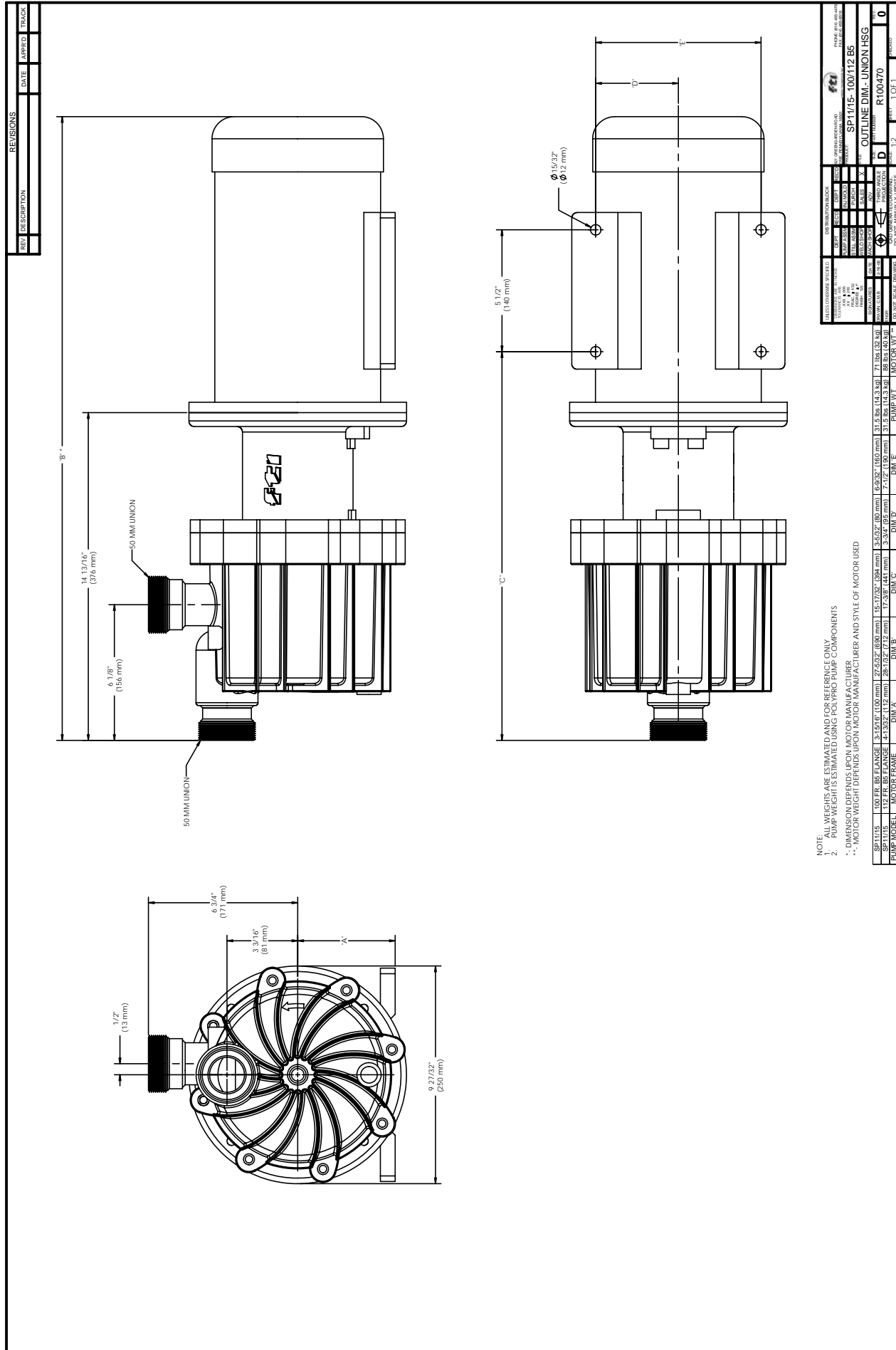
UNITS	CONVERSION FACTOR	CONVERSION FACTOR	CONVERSION FACTOR	CONVERSION FACTOR	CONVERSION FACTOR	CONVERSION FACTOR	CONVERSION FACTOR	CONVERSION FACTOR	CONVERSION FACTOR
INCHES	25.4	MILLIMETERS	0.03937	INCHES	25.4	MILLIMETERS	0.03937	INCHES	25.4
FEET	304.8	MILLIMETERS	0.3048	FEET	304.8	MILLIMETERS	0.3048	FEET	304.8
POUNDS	4.53592	KILOGRAMS	0.453592	POUNDS	4.53592	KILOGRAMS	0.453592	POUNDS	4.53592
TONS	907.18474	KILOGRAMS	0.90718474	TONS	907.18474	KILOGRAMS	0.90718474	TONS	907.18474

PUMP MODEL	MOTOR FRAME	DIM 'A'	DIM 'A'	DIM 'B'	DIM 'B'	DIM 'C'	DIM 'C'	DIM 'D'	DIM 'D'	DIM 'E'	DIM 'E'	PUMP WT	PUMP WT	MOTOR WT**	MOTOR WT**
SP11/15	100 FR. B5 FLANGE	3-15/16"	(100 mm)	27-5/32"	(690 mm)	15-17/32"	(394 mm)	3-5/32"	(80 mm)	6-9/32"	(160 mm)	31.5 lbs (14.3 kg)	31.5 lbs (14.3 kg)	7.1 lbs (32 kg)	7.1 lbs (32 kg)
SP11/15	112 FR. B5 FLANGE	4-13/32"	(112 mm)	28-1/32"	(712 mm)	17-3/8"	(441 mm)	3-3/4"	(95 mm)	7-1/2"	(190 mm)	88 lbs (40 kg)	88 lbs (40 kg)		

UNITS	CONVERSION FACTOR	CONVERSION FACTOR	CONVERSION FACTOR	CONVERSION FACTOR	CONVERSION FACTOR	CONVERSION FACTOR	CONVERSION FACTOR	CONVERSION FACTOR	CONVERSION FACTOR
INCHES	25.4	MILLIMETERS	0.03937	INCHES	25.4	MILLIMETERS	0.03937	INCHES	25.4
FEET	304.8	MILLIMETERS	0.3048	FEET	304.8	MILLIMETERS	0.3048	FEET	304.8
POUNDS	4.53592	KILOGRAMS	0.453592	POUNDS	4.53592	KILOGRAMS	0.453592	POUNDS	4.53592
TONS	907.18474	KILOGRAMS	0.90718474	TONS	907.18474	KILOGRAMS	0.90718474	TONS	907.18474

UNITS	CONVERSION FACTOR	CONVERSION FACTOR	CONVERSION FACTOR	CONVERSION FACTOR	CONVERSION FACTOR	CONVERSION FACTOR	CONVERSION FACTOR	CONVERSION FACTOR	CONVERSION FACTOR
INCHES	25.4	MILLIMETERS	0.03937	INCHES	25.4	MILLIMETERS	0.03937	INCHES	25.4
FEET	304.8	MILLIMETERS	0.3048	FEET	304.8	MILLIMETERS	0.3048	FEET	304.8
POUNDS	4.53592	KILOGRAMS	0.453592	POUNDS	4.53592	KILOGRAMS	0.453592	POUNDS	4.53592
TONS	907.18474	KILOGRAMS	0.90718474	TONS	907.18474	KILOGRAMS	0.90718474	TONS	907.18474

SP11/15 Outline Dimensions
 100/112 B5, Union Housing, R100470

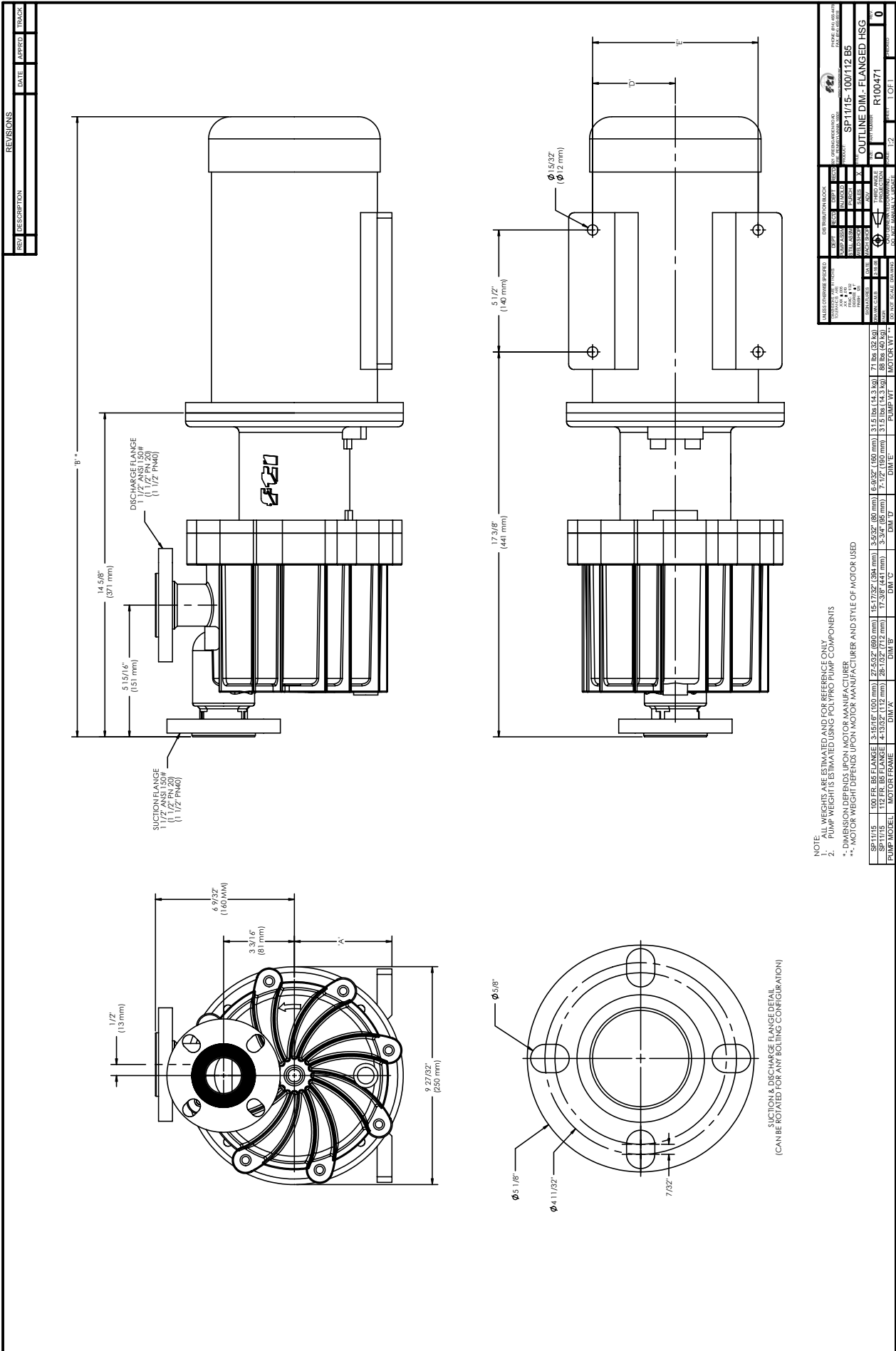


REV	DESCRIPTION	DATE	APPROV	TRACK

NOTE:
 1. WEIGHTS ARE ESTIMATED AND FOR REFERENCE ONLY.
 2. PUMP WEIGHTS ESTIMATED FOR PROPOSED COMPONENTS.
 * DIMENSIONS DEPEND UPON MOTOR MANUFACTURER.
 ** MOTOR WEIGHT DEPENDS UPON MOTOR MANUFACTURER AND STYLE OF MOTOR USED.

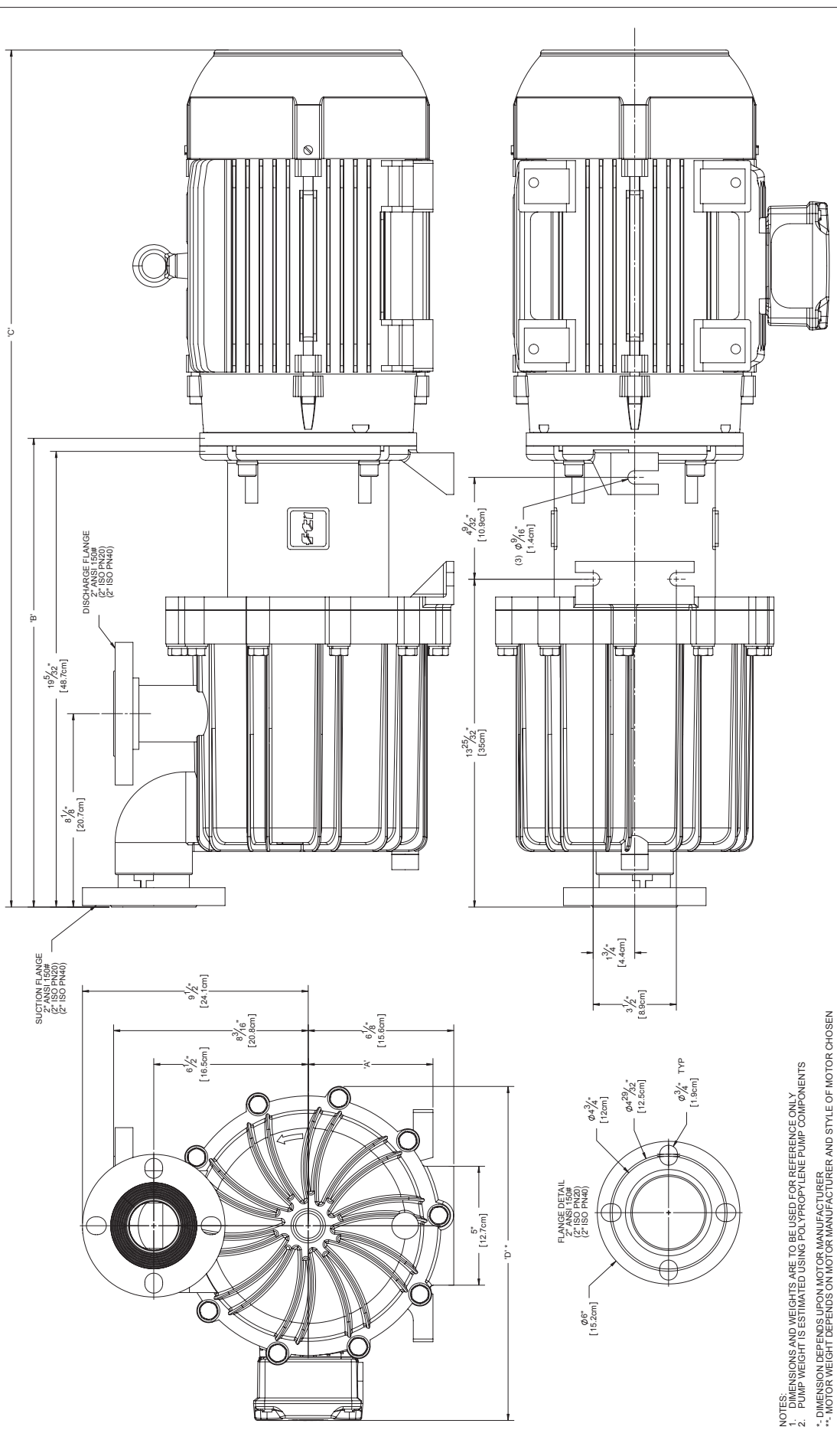
SELECT DIMENSIONS LISTED:		DIMENSION BLOCK		PUMP MODEL		MOTOR FRAME		MOTOR WEIGHT		PUMP WEIGHT		MOTOR WEIGHT		MOTOR WEIGHT			
UNIT	INCH	MM	UNIT	INCH	MM	UNIT	INCH	MM	UNIT	INCH	MM	UNIT	INCH	MM	UNIT	INCH	MM
SP11/15	100 FR. B5 FLANGE	3.1516 (80.0)	27.452 (698)	15.1782 (394)	3.632 (93)	6.932 (176)	3.1586 (80.3)	71.186 (1808)	85.834 (2180)	85.834 (2180)	85.834 (2180)	85.834 (2180)	85.834 (2180)	85.834 (2180)	85.834 (2180)	85.834 (2180)	85.834 (2180)
SP11/15	112 FR. B5 FLANGE	4.1552 (105.4)	28.152 (715)	17.937 (454)	3.394 (86)	7.712 (196)	3.1586 (80.3)	85.834 (2180)	85.834 (2180)	85.834 (2180)	85.834 (2180)	85.834 (2180)	85.834 (2180)	85.834 (2180)	85.834 (2180)	85.834 (2180)	85.834 (2180)

SP11/15 Outline Dimension
 100/112 B5, Flanged Housing, R100471



REVISIONS			
REV	DESCRIPTION	DATE	APPRD
1	DIM A FOR 132 FRAME WAS 3.0 CM	8/21/12	MD

TRACK	MD	3850
-------	----	------



MATERIALS		FINISHES		COATINGS		PAINTS	
CAST IRON	STAINLESS STEEL	BLACK	WHITE	RED OXIDE	ALUMINUM	EPDM	EPDM
BRASS	ALUMINUM	BLACK	WHITE	RED OXIDE	ALUMINUM	EPDM	EPDM
STAINLESS STEEL	ALUMINUM	BLACK	WHITE	RED OXIDE	ALUMINUM	EPDM	EPDM
BRASS	ALUMINUM	BLACK	WHITE	RED OXIDE	ALUMINUM	EPDM	EPDM

DISTRIBUTION		SALES		MARKETING	
USA	USA	USA	USA	USA	USA
EUROPE	EUROPE	EUROPE	EUROPE	EUROPE	EUROPE
ASIA	ASIA	ASIA	ASIA	ASIA	ASIA
Africa	Africa	Africa	Africa	Africa	Africa

MODEL	MOTOR FRAME	A DIM	B DIM	C DIM	D DIM	PUMP WT	MOTOR WT
SP22	IEC 132	6.14(85)	5.31(16)	13.2(2)	20.1(6)	57 lbs (25.9 kg)	160 lbs (72.5 kg)
SP22	IEC 112	6.14(85)	4.13(2)	11.2(2)	17.1(5)	54 lbs (24.5 kg)	105 lbs (47.6 kg)
SP22	IEC 90	6.14(85)	3.1(1)	9.0(2)	14.1(4)	54 lbs (24.5 kg)	40 lbs (18.1 kg)
SP22	IEC 75	6.14(85)	2.1(1)	7.0(2)	11.1(3)	54 lbs (24.5 kg)	40 lbs (18.1 kg)
SP22	NEMA 2132	15	5.14(13.3)	19.2(3)	29.1(7.3)	51 lbs (23.1 kg)	160 lbs (72.5 kg)
SP22	NEMA 184TC	15	4.1(10.4)	19.2(3)	29.1(7.3)	46 lbs (20.9 kg)	100 lbs (45.3 kg)

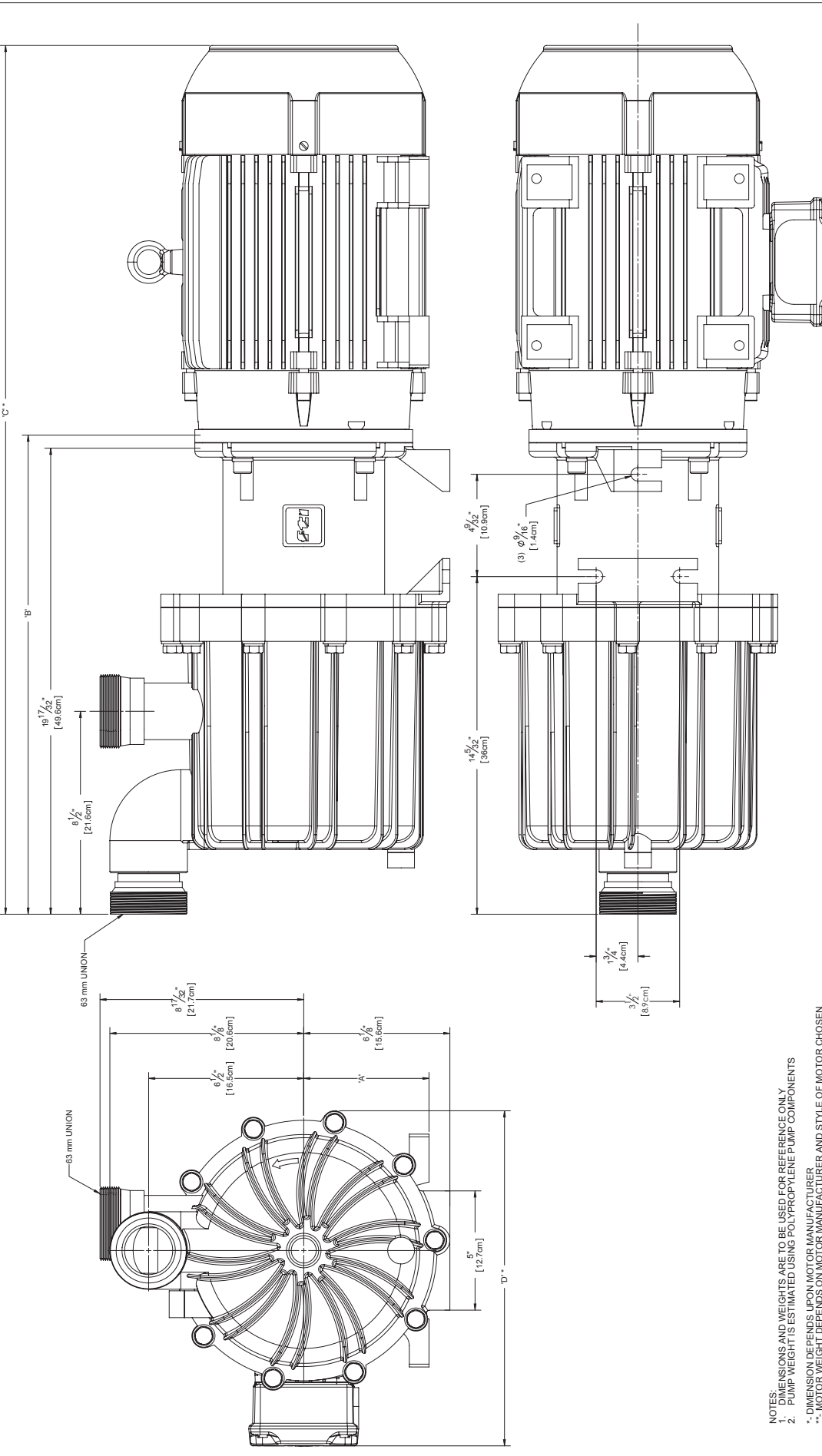
MODEL	MOTOR FRAME	A DIM	B DIM	C DIM	D DIM	PUMP WT	MOTOR WT
SP22	IEC 132	6.14(85)	5.31(16)	13.2(2)	20.1(6)	57 lbs (25.9 kg)	160 lbs (72.5 kg)
SP22	IEC 112	6.14(85)	4.13(2)	11.2(2)	17.1(5)	54 lbs (24.5 kg)	105 lbs (47.6 kg)
SP22	IEC 90	6.14(85)	3.1(1)	9.0(2)	14.1(4)	54 lbs (24.5 kg)	40 lbs (18.1 kg)
SP22	IEC 75	6.14(85)	2.1(1)	7.0(2)	11.1(3)	54 lbs (24.5 kg)	40 lbs (18.1 kg)
SP22	NEMA 2132	15	5.14(13.3)	19.2(3)	29.1(7.3)	51 lbs (23.1 kg)	160 lbs (72.5 kg)
SP22	NEMA 184TC	15	4.1(10.4)	19.2(3)	29.1(7.3)	46 lbs (20.9 kg)	100 lbs (45.3 kg)

NOTES:
 1. DIMENSIONS AND WEIGHTS ARE TO BE USED FOR REFERENCE ONLY.
 2. PUMP WEIGHT IS ESTIMATED USING POLYPROPYLENE PUMP COMPONENTS.
 ** DIMENSION DEPENDS UPON MOTOR MANUFACTURER.
 *** MOTOR WEIGHT DEPENDS ON MOTOR MANUFACTURER AND STYLE OF MOTOR CHOSEN.

DATE	APPROVED	TRACK
8/21/12	MD	3850

REVISIONS		
REV	DESCRIPTION	DATE
1	DIM A, NOW ON DRAWING AND CHART	8/21/12

APPROD	TRACK
MD	3830



DESIGNATION BLOCK		STANDARD SYMBOLS	
DESIGN	DEVELOP	DESIGN	DEVELOP
PROJ	REVISION	PROJ	REVISION
UNIT	SCALE	UNIT	SCALE
DATE	BY	DATE	BY
CHECKED	APPROVED	CHECKED	APPROVED

DESIGNATION BLOCK		STANDARD SYMBOLS	
DESIGN	DEVELOP	DESIGN	DEVELOP
PROJ	REVISION	PROJ	REVISION
UNIT	SCALE	UNIT	SCALE
DATE	BY	DATE	BY
CHECKED	APPROVED	CHECKED	APPROVED

DESIGNATION BLOCK		STANDARD SYMBOLS	
DESIGN	DEVELOP	DESIGN	DEVELOP
PROJ	REVISION	PROJ	REVISION
UNIT	SCALE	UNIT	SCALE
DATE	BY	DATE	BY
CHECKED	APPROVED	CHECKED	APPROVED

DESIGNATION BLOCK		STANDARD SYMBOLS	
DESIGN	DEVELOP	DESIGN	DEVELOP
PROJ	REVISION	PROJ	REVISION
UNIT	SCALE	UNIT	SCALE
DATE	BY	DATE	BY
CHECKED	APPROVED	CHECKED	APPROVED

MODEL	MOTOR FRAME	A, DIM	B, DIM	C, DIM*	D, DIM*	E, DIM	MOTOR W/T	PUMP W/T	MOTOR W/T**				
SP22	IEC 132	8.14(85)	5-2(16)	11.3(2)	20-15(62)	52.0(2)	36-9(91)	82.9(3)	14-3(116)	38.0(9)	160 lbs (72.5 kg)	57 lbs (25.9 kg)	160 lbs (72.5 kg)
SP22	IEC 175	11.2(4)	5.4(8)	11.3(2)	20-13(52)	51.8(2)	33-19(82)	65.3(3)	12-1(6)	30.5(8)	105 lbs (47.6 kg)	54 lbs (24.5 kg)	105 lbs (47.6 kg)
SP22	IEC 225	14.6(5)	6.1(8)	13.3(3)	20-12(50)	50.8(2)	31-13(78)	63.8(3)	11-7(10)	29.5(7)	105 lbs (47.6 kg)	54 lbs (24.5 kg)	105 lbs (47.6 kg)
SP22	IEC 300	14.6(5)	6.1(8)	13.3(3)	20-13(52)	51.8(2)	31-13(78)	65.3(3)	11-7(10)	29.5(7)	105 lbs (47.6 kg)	54 lbs (24.5 kg)	105 lbs (47.6 kg)
SP22	NEMA 184T	4-1(2)	11.3(3)	5-1(4)	20-11(5)	51.0(2)	36-13(92)	82.9(3)	14-1(32)	35.7(9)	160 lbs (72.5 kg)	51 lbs (23.1 kg)	160 lbs (72.5 kg)
SP22	NEMA 184TC	4-1(2)	11.3(3)	5-1(4)	20-11(5)	51.0(2)	36-13(92)	82.9(3)	14-1(32)	35.7(9)	160 lbs (72.5 kg)	51 lbs (23.1 kg)	160 lbs (72.5 kg)
SP22	NEMA 184TC	4-1(2)	11.3(3)	5-1(4)	19-1(5)	51.0(2)	32-25(82)	83.3(3)	12-1(31)	31.7(8)	100 lbs (45.3 kg)	46 lbs (20.9 kg)	100 lbs (45.3 kg)

- NOTES:
- DIMENSIONS AND WEIGHTS ARE TO BE USED FOR REFERENCE ONLY
 - PUMP WEIGHT IS ESTIMATED USING POLYPROPYLENE PUMP COMPONENTS
- *- DIMENSION DEPENDS UPON MOTOR MANUFACTURER
 **- MOTOR WEIGHT DEPENDS ON MOTOR MANUFACTURER AND STYLE OF MOTOR CHOSEN

