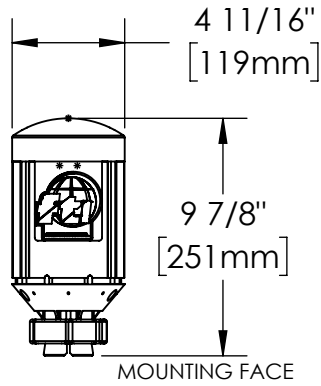
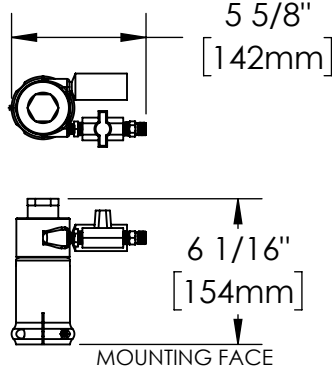


REVISIONS				
REV	DESCRIPTION	DATE	APPR'D	TRACK
0	RELEASE	3/26/2021	DAC	5764

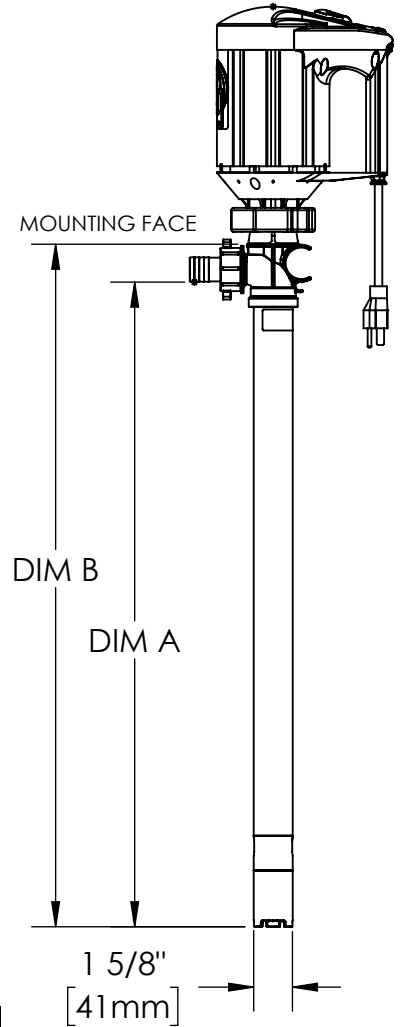
MV MOTORS



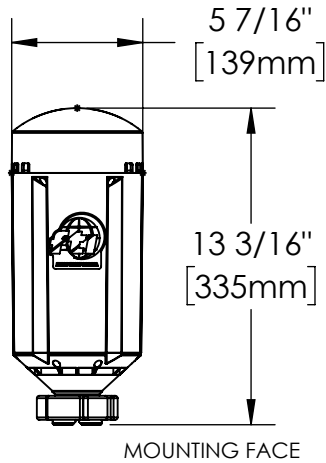
M6 & M6A AIR MOTORS




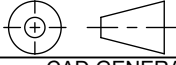
MV MOTOR SHOWN ON PUMP



TEFC & EXP MOTORS



MODEL	DIM A	DIM B
SFS27	26 7/8" (683mm)	28 7/16" (722mm)
SFS40	39 7/8" (1013mm)	41 7/16" (1053mm)
SFS48	47 7/8" (1216mm)	49 7/16" (1256mm)
SFS54	53 7/8" (1368mm)	55 7/16" (1408mm)
SFS60	59 7/16" (1510mm)	61 1/16" (1551mm)
SFS72	72 9/16" (1843mm)	74 1/8" (1883mm)

UNLESS OTHERWISE SPECIFIED		DISTRIBUTION BLOCK				 921 GREENGARDEN ROAD ERIE, PENNSYLVANIA 16501 PHONE: (814) 455-4478 FAX: (814) 455-8518		
DIMENSIONS ARE IN INCHES TOLERANCES ARE: .XXX ± .005 .XX ± .010 FRAC. ± 1/32 DEGREE ± 1° FINISH 125		DEPT	REC'D	DEPT	REC'D	PRODUCT:		
		PUMP ASSM		INJ MOLD		SFS		
		STILL ASSM		PURCH		TITLE		
		WELD SHOP		SALES	X	OUTLINE DIMENSIONAL		
SIGNATURES	DATE	MACH SHOP		ADV		SIZE:	PART NUMBER	REV.
DRAWN: DAC	3/26/21	 THIRD ANGLE PROJECTION				A	R102360	0
ENGR:	XX-XX-XX	CAD GENERATED DRAWING, DO NOT MANUALLY UPDATE				SCALE:	SHEET	CHECKED
DO NOT SCALE DRAWING						X	1 OF 1	