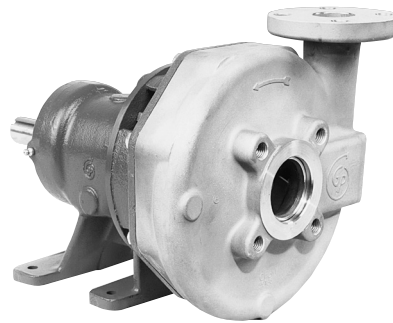


3657



3757

Models 3657/3757

INSTALLATION, OPERATION AND MAINTENANCE INSTRUCTIONS

Owner's Information	
Model Number:	_____
Serial Number:	_____
Dealer:	_____
Date of Purchase:	_____ Date of Delivery: _____

Table of Contents	
SUBJECT	PAGE
Safety Instructions	2
Description and Specifications	2
1. Important Information	2
2. Installation	2
3. Suction Piping	3
4. Discharge Piping.....	3
5. Motor to Pump Shaft Alignment	3
6. Rotation	4
7. Operation.....	4
8. Maintenance.....	4
9. Disassembly.....	4
10. Reassembly	5
11. Trouble Shooting Guide.....	5
Materials of Construction.....	6
Goolds Water Technology Limited Warranty	8

SAFETY INSTRUCTIONS

TO AVOID SERIOUS OR FATAL PERSONAL INJURY OR MAJOR PROPERTY DAMAGE, READ AND FOLLOW ALL SAFETY INSTRUCTIONS IN THE MANUAL AND ON THE PUMP.



This is a **SAFETY ALERT SYMBOL**. When you see this symbol on the pump or in the manual, look for one of the following signal words and be alert to the potential for personal injury or property damage.



DANGER Warns of hazards that **WILL** cause serious personal injury, death or major property damage.



WARNING Warns of hazards that **CAN** cause serious personal injury, death or major property damage.



CAUTION Warns of hazards that **CAN** cause personal injury or property damage.

NOTICE: INDICATES SPECIAL INSTRUCTIONS WHICH ARE VERY IMPORTANT AND MUST BE FOLLOWED.

THIS MANUAL IS INTENDED TO ASSIST IN THE INSTALLATION AND OPERATION OF THIS UNIT. THOROUGHLY REVIEW ALL INSTRUCTIONS AND WARNINGS PRIOR TO PERFORMING ANY WORK ON THIS PUMP. MAINTAIN ALL SAFETY DECALS.



Install, ground and wire according to local and National Electrical Code Requirements.

Install an all leg disconnect switch near the pump.

Disconnect and lockout electrical power before installing or servicing the pump.

Electrical supply must match motor's nameplate specifications. Incorrect voltage can cause fire, damage motor and void the warranty.

Single phase pump motors are equipped with an automatic thermal protector, which opens the motor's electrical circuit when an overload condition exists. This can cause the pump to start unexpectedly.

DESCRIPTION and SPECIFICATIONS

The Models 3657 (close-coupled) and 3757 (frame-mounted) are single-stage end-suction pumps designed for ultra-pure water systems, O.E.M. applications, food and beverage processing and chemical services not demanding ANSI standard equipment.

The pumps have fully enclosed, investment cast, AISI TYPE 316 stainless steel impellers, key driven and held in position by an o-ring sealed locknut. The full volute casings are also investment castings of AISI TYPE 316 stainless steel, back pull-out configuration, with connections for mating with standard 150 lb. ANSI flanges. Shafts are protected with o-ring sealed stainless steel sleeves. Shaft sealing is with mechanical seal.

Close-coupled units have NEMA frame motors, C-face mounting, JM shaft extension. Frame mounted units can be coupled to motors through a spacer coupling, or belt driven.

1. Important:

- 1.1. Inspect unit for damage. Report any damage to carrier/dealer immediately.
- 1.2. Electrical supply must be a separate branch circuit with fuses or circuit breakers, wire sizes, etc. per National and Local electrical codes. Install an all-leg disconnect switch near pump,



Hazardous voltage

ALWAYS DISCONNECT ELECTRICAL POWER WHEN HANDLING PUMP OR CONTROLS.

- 1.3. Motors must be wired for proper voltage. Motor wiring diagram is on motor nameplate. Wire size must limit maximum voltage drop to 10% of nameplate voltage at motor terminals, or motor life and pump performance will be lowered.
- 1.4. Always use horsepower-rated switches, contactors and starters.
- 1.5. Motor Protection:
 - 1.5.1. Single-phase: Thermal protection for single-phase units is sometimes built in (check nameplate). If no built-in protection is provided, use a contactor with a proper overload. Fusing is permissible.
 - 1.5.2. Three-phase: Provide three-leg protection with properly sized magnetic starter and thermal overloads.
- 1.6. Maximum Operating Limit(s):

Liquid Temperature:	212°F (100°C) with standard seal.
	250°F (120°C) with optional high temp. seal.
Pressure:	175 PSI.
Starts per Hour:	20, evenly distributed.
- 1.7. Regular inspection and maintenance will increase service life. Base schedule on operating time. Refer to Section 8.

2. Installation:

- 2.1. General
 - 2.1.1. Locate pump as near liquid source as possible (below level of liquid for automatic operation).
 - 2.1.2. Protect from freezing or flooding.
 - 2.1.3. Allow adequate space for servicing and ventilation.
 - 2.1.4. All piping must be supported independently of the pump, and must "line-up" naturally.

CAUTION: NEVER DRAW PIPING INTO PLACE BY FORCING THE PUMP SUCTION AND DISCHARGE CONNECTIONS.

- 2.1.5. Avoid unnecessary fittings. Select sizes to keep friction losses to a minimum.
- 2.1.6. After the piping is complete, rotate the unit by hand to check for any binding.
- 2.2. Close-Coupled Units:
 - 2.2.1. Units may be installed horizontally, inclined or vertically.

CAUTION: DO NOT INSTALL WITH MOTOR BELOW PUMP. ANY LEAKAGE OR CONDENSATION WILL AFFECT THE MOTOR.

2.2.2. Foundation must be flat and substantial to eliminate strain when tightening bolts. Use rubber mounts to minimize noise and vibration.

2.2.3. Tighten motor hold-down bolts before connecting piping to pump.

2.3. Frame-Mounted Units:

2.3.1. Bedplate must be grouted to a foundation with solid footing. Refer to Fig. 1.

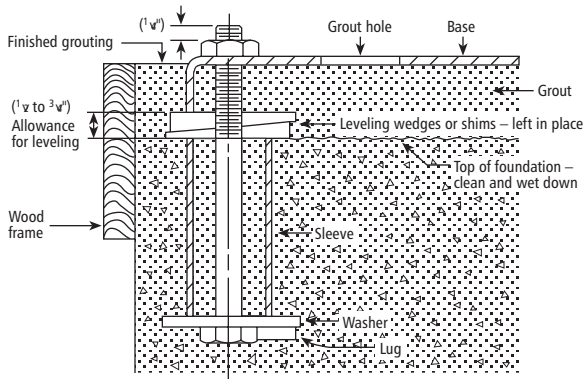


Figure 1

2.3.2. Place unit in position on wedges located at four points (two below approximate center of driver and two below approximate center of pump). Adjust wedges to level unit. Level or plumb suction and discharge flanges.

2.3.3. Make sure bedplate is not distorted and final coupling alignment can be made within the limits of movement of motor and by shimming, if necessary.

2.3.4. Tighten foundation bolts finger tight and build dam around foundation. Pour grout under bedplate making sure the areas under pump and motor feet are filled solid. Allow grout to harden 48 hours before fully tightening foundation bolts.

2.3.5. Tighten pump and motor hold-down bolts before connecting the piping to pump.

3. Suction Piping:

3.1. Low static suction lift and short, direct, suction piping is desired. For suction lift over 10 feet and liquid temperatures over 120°F, consult pump performance curve for Net Positive Suction Head Required.

3.2. Suction pipe must be at least as large as the suction connection of the pump. Smaller size will degrade performance.

3.3. If larger pipe is required, an eccentric pipe reducer (with straight side up) must be installed at the pump.

3.4. Installation with pump below source of supply:

3.4.1. Install full flow isolation valve in piping for inspection and maintenance.

CAUTION: DO NOT USE SUCTION ISOLATION VALVE TO THROTTLE PUMP.

3.5. Installation with pump above source of supply:

3.5.1. Avoid air pockets. No part of piping should be higher than pump suction connection. Slope piping upward from liquid source.

3.5.2. All joints must be airtight.

3.5.3. Foot valve to be used only if necessary for priming, or to hold prime on intermittent service.

3.5.4. Suction strainer open area must be at least triple the pipe area.

3.6. Size of inlet from liquid source, and minimum submergence over inlet, must be sufficient to prevent air entering pump through vortexing. See Figs. 2-5.

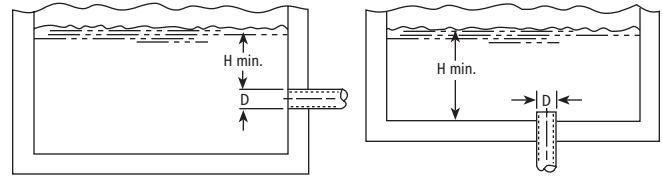


Figure 2

Figure 3

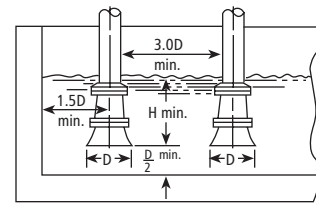


Figure 4

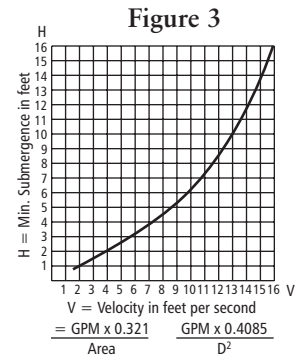


Figure 5

4. Discharge Piping:

4.1. Arrangement must include a check valve located between a gate valve and the pump. The gate valve is for regulation of capacity, or for inspection of the pump or check valve.

4.2. If an increaser is required, place between check valve and pump.

5. Motor-to-Pump Shaft Alignment:

5.1. Close-Coupled Units:

5.1.1. No field alignment necessary.

5.2. Frame-Mounted Units:

5.2.1. Even though the pump-motor unit may have a factory alignment, this could be disturbed in transit and must be checked prior to running. See Fig. 6.

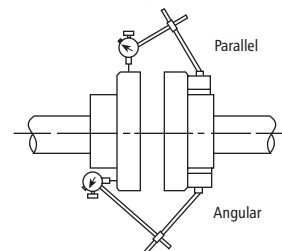


Figure 6

5.2.2. Tighten all hold-down bolts before checking the alignment.

5.2.3. If re-alignment is necessary, always move the motor. Shim as required.

5.2.4. Parallel misalignment - shafts with axis parallel but not concentric. Place dial indicator on one hub and rotate this hub 360° while taking readings on the outside diameter of the other hub. Parallel alignment occurs when Total Indicator Reading is .005", or less.

5.2.5. Angular misalignment – shafts with axis concentric but not parallel. Place dial indicator on one hub and rotate this hub 360° while taking readings on the face of the other hub. Angular alignment is achieved when Total Indicator Reading is .005", or less.

5.2.6. Final alignment is achieved when parallel and angular requirements are satisfied with motor hold-down bolts tight.

CAUTION: ALWAYS RECHECK BOTH ALIGNMENTS AFTER MAKING ANY ADJUSTMENT.

6. Rotation:

6.1. Correct rotation is right-hand (clockwise when viewed from the motor end). Switch power on and off quickly. Observe shaft rotation. To change rotation:

6.1.1. Single-phase: Refer to wiring diagram on motor.

6.1.2. Three-phase: Interchange any two power supply leads.

7. Operation:

7.1. Before starting, pump must be primed (free of air and suction pipe full of liquid) and discharge valve partially open.

CAUTION: PUMPED LIQUID PROVIDES LUBRICATION. IF PUMP IS RUN DRY, ROTATING PARTS WILL SEIZE AND MECHANICAL SEAL WILL BE DAMAGED. DO NOT OPERATE AT OR NEAR ZERO FLOW. ENERGY IMPARTED TO THE LIQUID IS CONVERTED INTO HEAT. LIQUID MAY FLASH TO VAPOR. ROTATING PARTS REQUIRE LIQUID TO PREVENT SCORING OR SEIZING.

7.2. Make complete check after unit is run under operating conditions and temperatures has stabilized. Check for expansion of piping. On frame-mounted units coupling alignment may have changed due to the temperature differential between pump and motor. Recheck alignment.

8. Maintenance:

8.1. Close-Coupled Units: Bearings are located in and are part of the motor. For lubrication procedure, refer to motor manufacturer's instructions.

8.2. Frame-Mounted Units:

8.2.1. Bearing frame should be regreased every 2,000 hours or 3 month interval, whichever occurs first.

Use a #2 sodium or lithium based grease. Fill until grease comes out of relief fittings, or lip seals, then wipe off excess.

8.2.2. Follow motor and coupling manufacturer's lubrication instructions.

8.2.3. Alignment must be rechecked after any maintenance work involving any disturbance of the unit.

9. Disassembly:

Complete disassembly of the unit will be described. Proceed only as far as required to perform the maintenance work needed.

9.1. Turn off power.

9.2. Drain system. Flush if necessary.

9.3. Close-Coupled Units: Remove motor hold-down bolts.

Frame-Mounted Units: Remove coupling, spacer, coupling guard and frame hold-down bolts.

9.4. Disassembly of Liquid End:

9.4.1. Remove casing bolts (370).

9.4.2. Remove back pull-out assembly from casing (100).

9.4.3. Unscrew impeller nut (304) with a socket wrench.

CAUTION: DO NOT INSERT SCREWDRIVER BETWEEN IMPELLER VANES TO PREVENT ROTATION.

It may be necessary to use a strap wrench around the impeller if impacting the socket wrench will not loosen the impeller bolt. Hold the shaft on frame mounted units.

9.4.4. Use two pry bars, 180° apart, to remove impeller (101) from shaft.

9.4.5. Remove impeller key (178) and seal spring.

9.4.6. With two pry bars 180° apart inserted through the windows of the motor adapter (108), pry on the end of the shaft sleeve (126). The mechanical seal rotary unit (383) will come off with the sleeve.

9.4.7. Remove the seal housing to adapter bolts (370H). Remove seal housing (184) together with stationary seal parts.

9.4.8. Place seal housing on flat surface and press out stationary seal parts.

9.5. Disassembly of bearing frame:

9.5.1. Remove bolts (370C) and bearing cover (134). Slide V-ring deflector (123) off shaft.

9.5.2. Remove shaft assembly from frame (228).

9.5.3. Remove lip seals (333A) from bearing frame and bearing cover if worn and are being replaced.

9.5.4. Straighten tang in lockwasher (382). Remove locknut (136) and lockwasher.

9.5.5. Use bearing puller or arbor press to remove ball bearings (112 & 168).

10. Reassembly:

- 10.1. All parts should be cleaned before assembly.
- 10.2. Refer to parts list to identify required replacement items. Specify pump index or catalog number when ordering parts.
- 10.3. Reassembly is the reverse of disassembly.
- 10.4. Observe the following when reassembling the bearing frame:
 - 10.4.1. Replace lip seals if worn or damaged.
 - 10.4.2. Replace ball bearings if loose, rough or noisy when rotated.
 - 10.4.3. Check shaft for runout at the sleeve area. Maximum permissible is .002" T.I.R.
- 10.5. Observe the following when reassembling the liquid-end:
 - 10.5.1. All mechanical seal components must be in good condition or leakage may result. Replacement of complete seal assembly, whenever seal has been removed, is good standard practice.
It is permissible to use a light lubricant, such as glycerin, to facilitate assembly. Do not contaminate the mechanical seal faces with lubricant.
 - 10.5.2. Inspect seal housing o-ring (513) and replace if damaged. This o-ring may be lubricated with petroleum jelly to ease assembly.
 - 10.5.3. Inspect impeller o-rings (412A) at the sleeve and locknut. Replace if damaged.
- 10.6. Check reassembled unit for binding. Correct as required.

11. Trouble Shooting Guide:

MOTOR NOT RUNNING

(See causes 1 through 6)

LITTLE OR NO LIQUID DELIVERED

(See causes 7 through 17)

POWER CONSUMPTION TOO HIGH

(See causes 4, 17, 18, 19, 22)

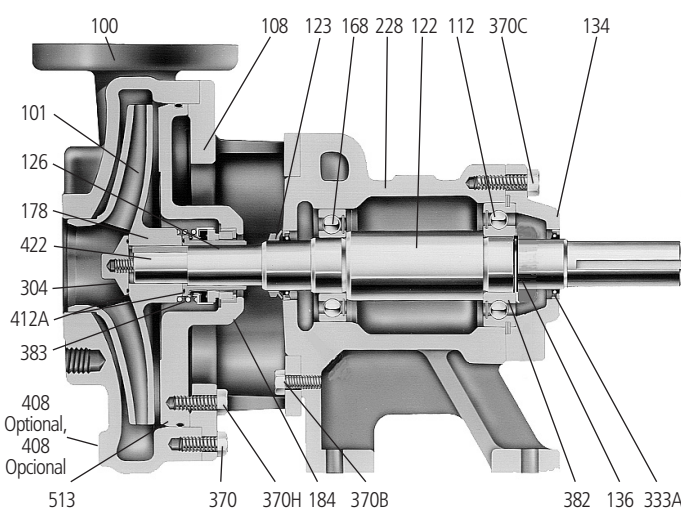
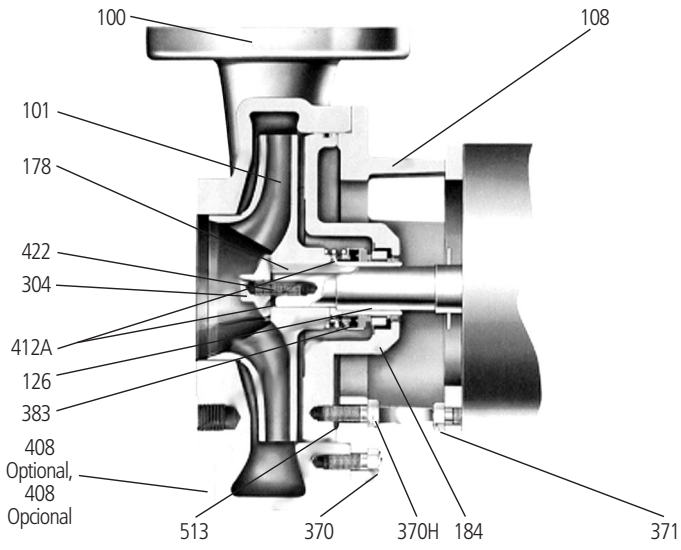
EXCESSIVE NOISE AND VIBRATION

(See causes 4, 6, 9, 13, 15, 16, 18, 20, 21, 22)

PROBABLE CAUSE:

1. Tripped thermal protector
2. Open circuit breaker
3. Blown fuse
4. Rotating parts binding
5. Motor wired improperly
6. Defective motor
7. Not primed
8. Discharge plugged or valve closed
9. Incorrect rotation
10. Foot valve too small, suction not submerged, inlet screen plugged
11. Low voltage
12. Phase loss (3-phase only)
13. Air or gasses in liquid
14. System head too high
15. NPSHA too low: Suction lift too high or suction losses excessive. Check with vacuum gauge.
16. Impeller worn or plugged
17. Incorrect impeller diameter
18. Head too low causing excessive flow rate
19. Viscosity or specific gravity too high
20. Worn bearings
21. Pump or piping loose
22. Pump and motor misaligned

Materials of Construction



Pump End Components		
Item No.	Description	Material
100*	Casing	316 SS investment cast
101*	Impeller	
184*	Seal housing	
304*	Impeller nut	316 SS
422	Impeller stud	Steel
178	Impeller key	
126*	Shaft sleeve	316 SS
412A	O-ring impeller	BUNA
408*	Pipe plug - 1/4" NPT (casing drain)	316 SS
513	O-ring casing	BUNA
370	Hex head cap screw (adapter to casing)	304SS
370H	Hex head cap screw (adapter to seal housing)	
383	Mechanical seal	Carbon/sil car/viton(std.) Carbon/sil car/EPR (opt.) Sil car/sil car/viton (opt.)
Power End Components		
108	Adapter	Cast iron
228	Bearing frame	
122	Pump shaft	Steel
168	Ball bearing (inboard)	Steel
112	Ball bearing (outboard)	
123	V-ring deflector	BUNA-N
136	Lock nut bearing	Steel
382	Lock washer bearing	
134	Bearing cover	Cast iron
333A	Lip seal bearing	BUNA/steel
193	Grease fitting	Steel
370B	Hex head cap screw (adapter to bearing frame)	
370C	Hex head cap screw (bearing frame to cover)	
Materials Specifications	Material	Engineering Standard
	Cast iron	ASTM A48 CL20
	Steel	ASTM A108/SAE 1200 series
	316 SS investment cast	ASTM A743 grade CF-8M
	316 SS	ASTM A276 type 316
304 SS	ASTM A276 type304	

* Indicates components exposed to pumpage.

GOULDS WATER TECHNOLOGY LIMITED WARRANTY

This warranty applies to all water systems pumps manufactured by Goulds Water Technology.

Any part or parts found to be defective within the warranty period shall be replaced at no charge to the dealer during the warranty period. The warranty period shall exist for a period of twelve (12) months from date of installation or eighteen (18) months from date of manufacture, whichever period is shorter.

A dealer who believes that a warranty claim exists must contact the authorized Goulds Water Technology distributor from whom the pump was purchased and furnish complete details regarding the claim. The distributor is authorized to adjust any warranty claims utilizing the Goulds Water Technology Customer Service Department.

The warranty excludes:

- (a) Labor, transportation and related costs incurred by the dealer;
- (b) Reinstallation costs of repaired equipment;
- (c) Reinstallation costs of replacement equipment;
- (d) Consequential damages of any kind; and,
- (e) Reimbursement for loss caused by interruption of service.

For purposes of this warranty, the following terms have these definitions:

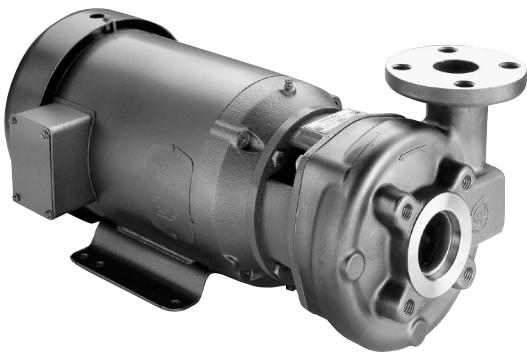
- (1) "Distributor" means any individual, partnership, corporation, association, or other legal relationship that stands between Goulds Water Technology and the dealer in purchases, consignments or contracts for sale of the subject pumps.
- (2) "Dealer" means any individual, partnership, corporation, association, or other legal relationship which engages in the business of selling or leasing pumps to customers.
- (3) "Customer" means any entity who buys or leases the subject pumps from a dealer. The "customer" may mean an individual, partnership, corporation, limited liability company, association or other legal entity which may engage in any type of business.

THIS WARRANTY EXTENDS TO THE DEALER ONLY.

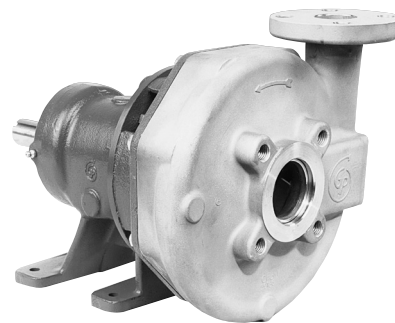


Xylem, Inc.
2881 East Bayard Street Ext., Suite A
Seneca Falls, NY 13148
Phone: (800) 453-6777
Fax: (888) 322-5877
www.xylem.com/brands/gouldswatertechnology

Goulds is a registered trademark of Goulds Pumps, Inc. and is used under license.
© 2012 Xylem Inc. IM009 Revision Number 2 July 2012



3657



3757

Modelos 3657/3757

INSTRUCCIONES DE INSTALACIÓN, FUNCIONAMIENTO Y MANTENIMIENTO

Información del propietario	
Número de Modelo:	_____
Número de Serie:	_____
Agente:	_____
Fecha de compra:	_____ Fecha de entrega: _____

Índice	
TEMA	PÁGINA
Instrucciones de seguridad.....	10
Descripción y especificaciones	10
1. Información importante	10
2. Instalación	10
3. Tuberías de succión.....	11
4. Tuberías de descarga	11
5. Alineamiento del eje del motor a la bomba.....	12
6. Rotación.....	12
7. Operación	12
8. Mantenimiento.....	12
9. Desmontaje	12
10. Reensamblaje.....	13
11. Identificación y resolución de problemas	13
Materiales de construcción	14
Garantía limitada de Goulds Water Technology	16

INSTRUCCIONES DE SEGURIDAD

PARA EVITAR LESIONES PERSONALES GRAVES O AÚN FATALES Y SERIOS DAÑOS MATERIALES, LEA Y SIGA TODAS LAS INSTRUCCIONES DE SEGURIDAD EN EL MANUAL Y EN LA BOMBA.



Éste es un SÍMBOLO DE ALERTA DE SEGURIDAD. Cuando vea este símbolo en la bomba o en el manual, busque una de las siguientes palabras de señal y esté alerta a la probabilidad de lesiones personales o daños materiales.

PELIGRO

Advierte los peligros que CAUSARÁN graves lesiones personales, la muerte o daños materiales mayores.

ADVERTENCIA

Advierte los peligros que PUEDEN causar graves lesiones personales, la muerte o daños materiales mayores.

PRECAUCIÓN

Advierte los peligros que PUEDEN causar lesiones personales o daños materiales.

AVISO: INDICA INSTRUCCIONES ESPECIALES QUE SON MUY IMPORTANTES Y QUE SE DEBEN SEGUIR.

ESTE MANUAL HA SIDO CREADO COMO UNA GUÍA PARA LA INSTALACIÓN Y OPERACIÓN DE ESTA UNIDAD. EXAMINE BIEN TODAS LAS INSTRUCCIONES Y ADVERTENCIAS ANTES DE REALIZAR CUALQUIER TRABAJO EN ESTA BOMBA.

MANTENGA TODAS LAS CALCOMANÍAS DE SEGURIDAD.

ADVERTENCIA



Un voltaje peligroso puede producir golpes eléctricos, quemaduras o la muerte.

- ⚠ Instale, conecte a tierra y alambre de acuerdo con los requerimientos del Código Eléctrico Nacional o local.
- ⚠ Instale un desconectador de todos los circuitos, cerca de la bomba.
- ⚠ Desconecte y bloquee la corriente eléctrica antes de instalar o dar servicio a la bomba.

⚠ ¡El suministro eléctrico debe coincidir con las especificaciones de la placa del fabricante del motor! La tensión incorrecta puede causar incendios, daños al motor y anular la garantía.

⚠ ¡Los motores monofásicos de las bombas están equipados con un protector térmico automático que abre el circuito eléctrico del motor cuando existe una condición de sobrecarga! Esto puede producir el arranque repentino de la bomba.

DESCRIPCIÓN y ESPECIFICACIONES

Los modelos 3657 (de acoplamiento cerrado) y 3757 (montado sobre bastidor) son bombas de succión de extremo de una etapa diseñadas para sistemas de agua ultrapura, aplicaciones de fabricantes de equipo original (OEM), procesamiento de alimentos y bebidas y servicios químicos que no exigen equipo estándar de ANSI.

Las bombas tienen impulsores de acero inoxidable AISI TIPO 316, moldeados y totalmente encerrados, accionados por chaveta y mantenidos en posición con una contratuerca sellada con anillo en O. Las carcasas de espiral completa también son piezas moldeadas de

acero inoxidable AISI TIPO 316, de configuración de salida trasera, con conexiones para coincidir con bridas estándar ANSI de 150 lbs. Los ejes están protegidos con camisas de acero inoxidable selladas con anillos en O. El sellado del eje es con un sello mecánico.

Las unidades de acoplamiento cerrado tienen motores de bastidor NEMA, montaje de cara C y extensión de eje JM. Las unidades montadas sobre bastidor pueden acoplarse a los motores mediante un acoplamiento espaciador o accionamiento de banda.

1. Importante:

- 1.1. Inspeccione la unidad para determinar si está dañada. Notifique cualquier daño al transportista/ agente de inmediato.
- 1.2. El suministro eléctrico debe ser un circuito derivado separado con fusibles o cortacircuitos y todos ellos, además de los tamaños de alambre, etc. deben cumplir con los códigos eléctricos nacionales y locales. Instale un desconectador de todos los circuitos cerca de la bomba.

ADVERTENCIA

Tensión peligrosa

SIEMPRE DESCONECTE LA CORRIENTE ELÉCTRICA CUANDO MANEJE LA BOMBA O LOS CONTROLES.

- 1.3. Los motores deben cablearse para la tensión apropiada. El diagrama de cableado del motor está en la placa del fabricante del motor. El tamaño del alambre debe limitar la caída máxima de tensión al 10% de la tensión de la placa del fabricante en los terminales del motor; de lo contrario se reducirá la vida útil del motor y disminuirá el rendimiento de la bomba.
- 1.4. Siempre utilice interruptores, contactadores y arrancadores de potencia nominal.
- 1.5. Protección del motor:
 - 1.5.1. Monofásico: A veces la protección térmica para unidades monofásicas está incorporada (consulte la placa del fabricante). Si no se proporciona protección incorporada, utilice un contactador con una sobrecarga apropiada. Se permite instalar fusibles.
 - 1.5.2. Trifásico: Proporcione protección de tres circuitos derivados con arrancador magnético y sobrecargas térmicas del tamaño adecuado.
- 1.6. Límite(s) máximo(s) de operación:
Temperatura del líquido:
212°F (100°C) con sello estándar.
250°F (120°C) con sello de alta temperatura opcional.
Presión: 175 lbs./pulg. cuadrada
Arranques por hora: 20, distribuidos uniformemente.
- 1.7. La inspección y el mantenimiento regulares prolongarán la vida de servicio. Base la programación en el tiempo de operación. Consulte la Sección 8.

2. Instalación:

2.1. Generalidades

- 2.1.1. Sitúe la bomba lo más cerca posible de la fuente de líquido (por debajo del nivel de líquido para la operación automática).
- 2.1.2. Proteja la bomba contra la congelación o inundación.
- 2.1.3. Deje un espacio adecuado para el mantenimiento y la ventilación.

2.1.4. Todas las tuberías deben apoyarse independientemente de la bomba y deben “alinearse” naturalmente.

PRECAUCIÓN: NUNCA INSTALE LA TUBERÍA EN POSICIÓN FORZANDO LAS CONEXIONES DE SUCCIÓN Y DE DESCARGA DE LA BOMBA.

2.1.5. Evite el uso de accesorios innecesarios. Seleccione los tamaños para mantener las pérdidas por fricción a un mínimo.

2.1.6. Una vez que se haya completado la instalación de la tubería, gire la unidad a mano para verificar que no haya roce.

2.2. Unidades de acoplamiento cerrado:

2.2.1. Las unidades pueden instalarse horizontales, inclinadas o verticales.

PRECAUCIÓN: NO INSTALAR CON EL MOTOR DEBAJO DE LA BOMBA. CUALQUIER FUGA O CONDENSACIÓN AFECTARÁ EL MOTOR.

2.2.2. El cemento debe ser plano y substancial para eliminar el esfuerzo cuando se aprieten los pernos. Utilice monturas de caucho para reducir al mínimo el ruido y la vibración.

2.2.3. Apriete los pernos de sujeción del motor antes de conectar las tuberías a la bomba.

2.3. Unidades montadas sobre bastidor:

2.3.1. La plancha de asiento debe enlecharse a un cemento con base sólida. Consulte la Figura 1.

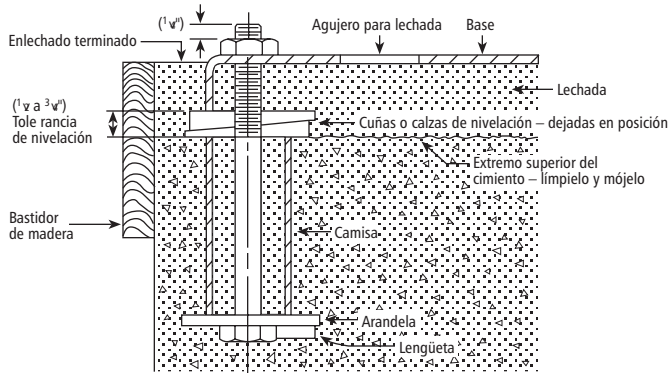


Figura 1

2.3.2. Coloque la unidad en posición sobre cuñas situadas en cuatro puntos (dos aproximadamente debajo del centro de la unidad de impulsión y dos aproximadamente debajo del centro de la bomba). Ajuste las cuñas para nivelar la unidad. Nivele o aplome las bridas de succión y descarga.

2.3.3. Asegúrese de que la plancha de asiento no esté deformada y que pueda realizarse el alineamiento final del acoplamiento dentro de los límites de movimiento del motor y mediante la instalación de calzas, si es necesario.

2.3.4. Apriete los pernos de cimentación con los dedos y construya un dique alrededor del cemento. Vierta lechada debajo de la plancha de asiento, asegurándose de que las áreas debajo de las patas del motor estén llenas en forma sólida. Deje que la lechada se endurezca durante 48 horas antes de apretar bien los pernos de cimentación.

2.3.5. Apriete los pernos de sujeción de la bomba y el motor antes de conectar las tuberías a la bomba.

3. Tuberías de succión:

3.1. Se desea una elevación de succión estática baja y una tubería de succión corta y directa. Para una elevación de succión de más de 10 pies y temperaturas de líquido de más de 120°F, consulte la curva de rendimiento de la bomba con respecto a la carga de succión positiva requerida.

3.2. La tubería de succión debe ser al menos del mismo tamaño que la conexión de succión de la bomba. Un tamaño más pequeño degradará el rendimiento.

3.3. Si se requiere un tubo más grande, debe instalarse un reductor de tubo excéntrico (con el lado recto hacia arriba) en la bomba.

3.4. Instalación con la bomba debajo de la fuente de suministro:

3.4.1. Instale una válvula de aislamiento de flujo completo en la tubería para las operaciones de inspección y mantenimiento.

PRECAUCIÓN: NO UTILICE LA VÁLVULA DE AISLAMIENTO DE SUCCIÓN

3.5. Instalación con la bomba sobre la fuente de suministro:

3.5.1. Evite las bolsas de aire. Ninguna parte de la tubería debe estar más alta que la conexión de succión de la bomba. Incline la tubería hacia arriba de la fuente de líquido.

3.5.2. Todas las juntas deben ser herméticas.

3.5.3. Sólo debe usarse una válvula de aspiración si es necesario para el cebado o para retener el cebado en servicio intermitente.

3.5.4. El área abierta del colador de succión debe ser al menos el triple del área del tubo.

3.6. El tamaño de la entrada de la fuente de líquido y la sumersión mínima sobre la entrada deben ser suficientes para evitar la entrada de aire a través de un vórtice. Consulte las Figuras 2 a 5.

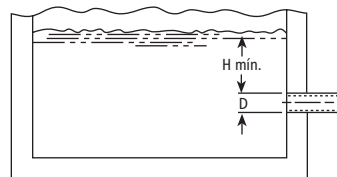


Figura 2

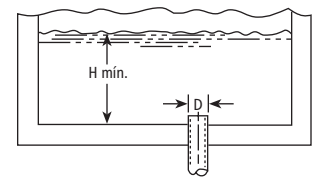


Figura 3

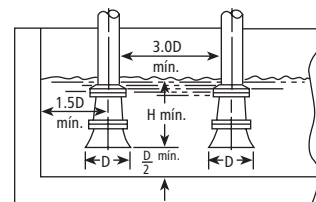


Figura 4

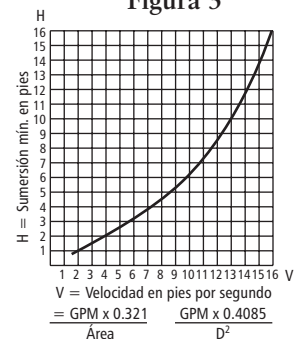


Figura 5

4. Tuberías de descarga:

4.1. El d positivo debe incluir una válvula de retención situada entre una válvula de compuerta y la bomba. La válvula de compuerta es para regular la capacidad o para inspeccionar la bomba o la válvula de retención.

- 4.2. Si se requiere un aumentador, colóquelo entre la válvula de retención y la bomba.

5. Alineamiento del eje – del motor a la bomba:

5.1. Unidades de acoplamiento cerrado:

- 5.1.1. No se requiere alineamiento en el sitio.

5.2. Unidades montadas sobre bastidor:

5.2.1. Aún cuando el conjunto de la bomba-motor podría haberse alineado en la fábrica, es necesario verificarlo antes del funcionamiento ya podría haberse desalineado en tránsito. Consulte la Fig. 6.

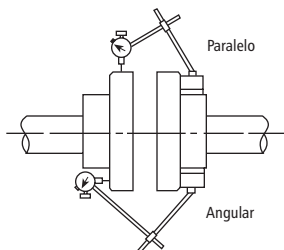


Figura 6

5.2.2. Apriete todos los pernos de sujeción antes de verificar el alineamiento.

5.2.3. Si es necesario realinear, siempre mueva el motor. Instale calzas en la forma requerida.

5.2.4. Desalineamiento paralelo – flechas con eje paralelo pero no concéntrico. Coloque el indicador de cuadrante sobre un cubo y gire este cubo 36° mientras obtiene lecturas sobre el diámetro exterior del otro cubo. Existe alineamiento paralelo cuando la lectura total del indicador es de 0.005 pulg. o menos.

5.2.5. Desalineamiento angular – flechas con eje concéntrico pero no paralelo. Coloque el indicador de cuadrante sobre un cubo y gire este cubo 36° mientras obtiene lecturas sobre la cara del otro cubo. Existe alineamiento angular cuando la lectura total del indicador es de 0.005 pulg. o menos.

5.2.6. Se habrá logrado un alineamiento final cuando se cumpla con los requerimientos paralelos y angulares y cuando los pernos de sujeción del motor estén apretados.

PRECAUCIÓN: SIEMPRE VERIFIQUE NUEVAMENTE AMBOS ALINEAMIENTOS DESPUÉS DE HACER CUALQUIER AJUSTE.

6. Rotación:

6.1. La rotación correcta es hacia la derecha (en el sentido de las agujas del reloj cuando se mira desde el extremo del motor). Encienda y apague el suministro eléctrico rápidamente. Observe la rotación del eje. Para cambiar la rotación:

6.1.1. Monofásico: Consulte el diagrama de cableado del motor.

6.1.2. Trifásico: Intercambie dos conductores de suministro eléctrico cualesquiera.

7. Operación:

7.1. Antes de arrancar, la bomba debe cebarse (sin aire y la tubería de succión debe estar llena de líquido) y la válvula de descarga debe estar parcialmente abierta.

PRECAUCIÓN: EL LÍQUIDO BOMBEADO PROPORCIONA LUBRICACIÓN. SI LA BOMBA SE HACE FUNCIONAR SECA, LAS PARTES GIRATORIAS SE AFERRARÁN Y SE DAÑARÁ EL SELLO MECÁNICO. NO HAGA FUNCIONAR LA UNIDAD CON UN FLUJO DE CERO O CERCA DE CERO. LA ENERGÍA APLICADA AL LÍQUIDO SE CONVIERTE EN CALOR. EL LÍQUIDO PODRÍA VAPORIZARSE INSTANTÁNEAMENTE. LAS PARTES GIRATORIAS REQUIEREN LÍQUIDO PARA EVITAR LAS RAYADURAS O AFERRAMIENTO.

7.2. Efectúe una revisión completa después de haber hecho funcionar la unidad en las condiciones de operación y después que se haya estabilizado la temperatura. Revise para determinar si se ha expandido la tubería. En las unidades montadas sobre bastidor, el alineamiento del acoplamiento podría haber cambiado debido al diferencial de temperatura entre la bomba y el motor. Verifique nuevamente el alineamiento.

8. Mantenimiento:

8.1. Unidades de acoplamiento cerrado: Los rodamientos están situados en el motor y forman parte del mismo. Consulte las instrucciones del fabricante del motor con respecto al procedimiento de lubricación.

8.2. Unidades montadas sobre bastidor:

8.2.1. El bastidor del cojinete debe reengrasarse cada 2,000 horas o cada 3 meses, lo que ocurra primero. Utilice una grasa con base de sodio o litio #2. Llene hasta que salga grasa de las graseras de salida o sellos de reborde; luego limpie el exceso con un paño.

8.2.2. Siga las instrucciones de lubricación del fabricante del motor y del acoplamiento.

8.2.3. Es necesario verificar nuevamente el alineamiento después de haber realizado cualquier trabajo de mantenimiento que involucre perturbar la unidad.

9. Desarmado:

Se describirá el desmontaje completo de la unidad. Desmonte sólo lo necesario para realizar el trabajo de mantenimiento requerido.

9.1. Apague el suministro eléctrico.

9.2. Drene el sistema. Enjuáguelo si es necesario.

9.3. Unidades de acoplamiento cerrado: Quite los pernos de sujeción del motor. Unidades montadas sobre bastidor: Quite el acoplamiento, el espaciador, el protector del acoplamiento y los pernos de sujeción del bastidor.

9.4. Desmontaje del extremo de líquido:

9.4.1. Quite los pernos de la carcasa (370).

9.4.2. Retire el conjunto de desmontaje trasero de la carcasa (100).

9.4.3. Destornille la tuerca del impulsor (304) con una llave de cubo.

PRECAUCIÓN: NO INSERTE UN DESTORNILLADOR ENTRE LOS ÁLABES DEL IMPULSOR PARA EVITAR LA ROTACIÓN.

Podría ser necesario utilizar una llave de banda alrededor del impulsor si al golpear la llave de cubo no puede aflojarse el perno del impulsor. Sujete el eje en las unidades montadas sobre bastidor.

9.4.4. Utilice dos alzaprimas con una separación de 18° para retirar el impulsor (101) del eje.

9.4.5. Quite la chaveta del impulsor (178) y el resorte del sello.

9.4.6. Con dos alzaprimas con una separación de 18° insertadas por las ventanas del adaptador para el motor (108), haga palanca en el extremo de la camisa del eje (126). La unidad rotatoria del sello mecánico (383) se desprenderá con la camisa.

9.4.7. Retire los pernos de la caja del sello al adaptador (370H). Retire la caja del sello (184) junto con las partes del sello estacionario.

9.4.8. Coloque la caja del sello sobre una superficie plana y retire las partes del sello estacionario.

9.5. Desmontaje del bastidor de cojinetes:

9.5.1. Quite los pernos (370C) y la tapa del cojinete (134). Deslice el deflector de anillo en V (123) fuera del eje.

9.5.2. Retire el conjunto del eje del bastidor (228).

9.5.3. Retire los sellos de reborde (333A) del bastidor de cojinetes y de la tapa de cojinetes si están gastados y hay que reemplazarlos.

9.5.4. Enderece la espiga en la arandela de seguridad (382). Quite la contratuerca (136) y la arandela de seguridad.

9.5.5. Utilice un extractor de cojinetes o una prensa de husillo para retirar los rodamientos (112 y 168).

10. Rearmado:

10.1. Deben limpiarse todas las partes antes del armado.

10.2. Consulte la lista de partes para identificar los artículos de reemplazo requeridos. Especifique el número de índice o de catálogo cuando ordene partes.

10.3. Reensamble en el orden inverso del desmontaje.

10.4. Observe lo siguiente cuando reensamble el bastidor de cojinetes:

10.4.1. Reemplace los sellos de reborde si están gastados o dañados.

10.4.2. Reemplace los rodamientos si están sueltos, ásperos o si hacen ruido al girar.

10.4.3. Inspeccione el eje para asegurarse que no esté descentrado en el área de la camisa. El máximo permitido es 0.002 pulg. TIR (lectura total del indicador).

10.5. Observe lo siguiente cuando reensamble el extremo de líquido:

10.5.1. Todos los componentes del sello mecánico deben estar en buenas condiciones o podría producirse fuga. Es una buena práctica reemplazar el conjunto del sello completo cada vez que se haya retirado el sello.

Se puede utilizar lubricante poco denso como la glicerina para facilitar el armado. No contamine las

10.5.2. Inspeccione el anillo en O (513) de la caja del sello y reemplácelo si está dañado. Este anillo en O puede lubricarse con gelatina de petróleo para facilitar su instalación.

10.5.3. Inspeccione los anillos en O (412A) del impulsor en la camisa y contratuerca. Reemplácelos si están dañados.

10.6. Revise la unidad rearmada para verificar que no haya roce. Corríjalo si así se requiere.

11. Guía de identificación y resolución de prob-

EL MOTOR NO ESTÁ FUNCIONANDO

(Ver las causas 1 a 6)

SE ENTREGA POCO O NADA DE LÍQUIDO

(Ver las causas 7 a 17)

EL CONSUMO DE ELECTRICIDAD ES DEMASIADO ALTO

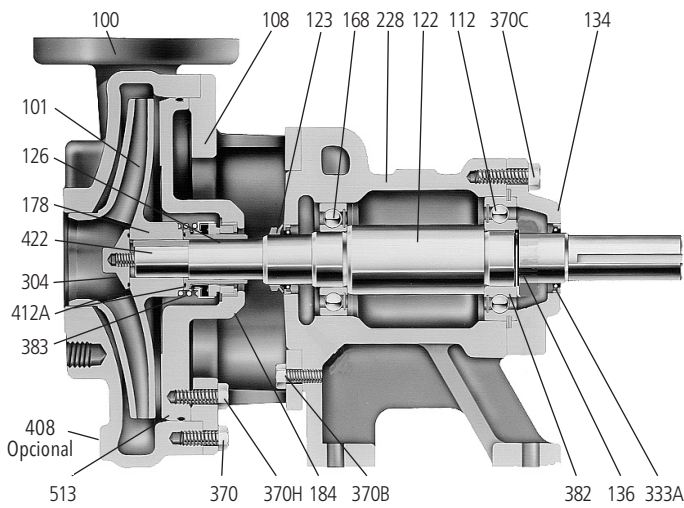
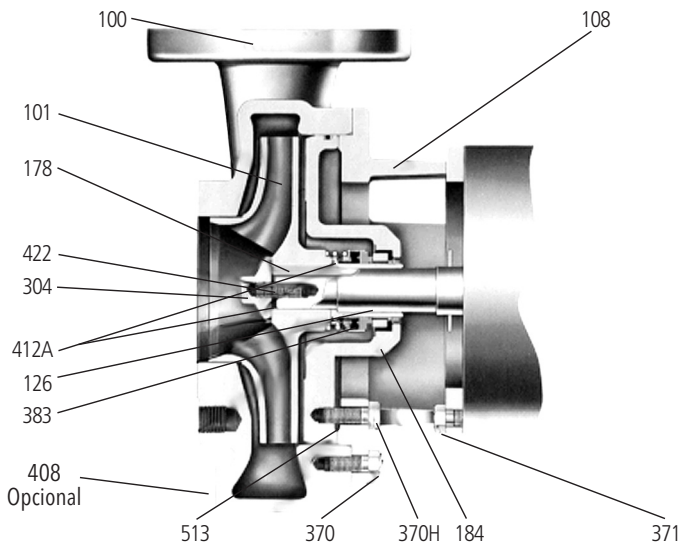
(Ver las causas 4, 17, 18, 19, 22)

RUIDO Y VIBRACIÓN EXCESIVOS

(Ver las causas 4, 6, 9, 13, 15, 16, 18, 20, 21, 22)

CAUSA PROBABLE:

1. Protector térmico disparado
2. Cortacircuitos abierto
3. Fusible quemado
4. Roce de las partes giratorias
5. Cableado incorrecto del motor
6. Motor defectuoso
7. Falta de cebado
8. Descarga bloqueada o válvula cerrada
9. Rotación incorrecta
10. Válvula de aspiración demasiado pequeña, la succión no está sumergida, el filtro de entrada está tapado
11. Baja tensión
12. Pérdida de fase (unidades trifásicas únicamente)
13. Aire o gases en el líquido
14. Carga del sistema demasiado alta
15. NPSHA demasiado bajo: Elevación de succión demasiado alta o pérdidas de succión excesivas. Revise con un indicador de vacío.
16. Impulsor gastado o taponado
17. Diámetro incorrecto del impulsor
18. Carga demasiado baja, produciendo una velocidad de flujo excesiva
19. Viscosidad o peso específico del fluido demasiado alto
20. Cojinetes gastados
21. Bomba o tubería suelta
22. Bomba y motor desalineados



Componentes del extremo de la bomba

Artículo N°.	Descripción	Material
100*	Carcasa	Pieza moldeada de acero inoxidable 316
101*	Impulsor	
184*	Caja del sello	
304*	Tuerca del impulsor	Acero inox. 316
422	Perno prisionero del impulsor	Acero
178	Chaveta del impulsor	
126*	Camisa del eje	Acero inox. 316
412A	Anillo en O del impulsor	BUNA
408*	Tapón de tubería - 1/4 pulg. NPT (drenaje de la carcasa)	Acero inox. 316
513	Anillo en O de la carcasa	BUNA
370	Tornillo sin tuerca de cabeza hexagonal (del adaptador a la carcasa)	Acero inox. 304
370H	Tornillo sin tuerca de cabeza hexagonal (del adaptador a la caja del sello)	
383	Sello mecánico	Carbón/car. sil./Niton (estándar) Carbón/car. sil./EPR (opcional) Car. sil./car. sil./Niton (opcional)

Componentes del extremo de energía

108	Adaptador	Hierro fundido
228	Bastidor de los cojinetes	
122	Eje de la bomba	Acero
168	Rodamiento (interior)	Acero
112	Rodamiento (exterior)	
123	Deflector de anillo en V	BUNA N
136	Contratuerca - cojinete	Acero
382	Arandela de seguridad - cojinete	
134	Cubierta de los cojinetes	Hierro fundido
333A	Sello de reborde - cojinete	BUNA/acero
193	Grasera	Acero
370B	Tornillo sin tuerca de cabeza hexagonal (del adaptador al bastidor de los cojinetes)	
370C	Tornillo sin tuerca de cabeza hexagonal (bastidor de los cojinetes a la cubierta)	
Especificaciones de materiales	Material	Norma de Ingeniería
	Hierro fundido	ASTM A48 CL20
	Acero	ASTM A108/SAE Serie 1200
	Pieza moldeada de acero inoxidable 316	ASTM A743 grado CF-8M
	Acero inox. 316	ASTM A276 tipo 316
Acero inox. 304	ASTM A276 tipo 304	

* Indica componentes expuestos al líquido bombeado.

GARANTÍA LIMITADA DE GOULDS WATER TECHNOLOGY

Esta garantía es aplicable a todas las bombas para sistemas de agua fabricadas por Goulds Water Technology.

Toda parte o partes que resulten defectuosas dentro del período de garantía serán reemplazadas sin cargo para el comerciante durante dicho período de garantía. Tal período de garantía se extiende por doce (12) meses a partir de la fecha de instalación, o dieciocho (18) meses a partir de la fecha de fabricación, cualquiera se cumpla primero.

Todo comerciante que considere que existe lugar a un reclamo de garantía deberá ponerse en contacto con el distribuidor autorizado de Goulds Water Technology del cual adquiriera la bomba, y ofrecer información detallada con respecto al reclamo. El distribuidor está autorizado a liquidar todos los reclamos por garantía a través del Departamento de Servicios a Clientes de Goulds Water Technology.

La presente garantía excluye:

- (a) La mano de obra, el transporte y los costos relacionados en los que incurra el comerciante;
- (b) los costos de reinstalación del equipo reparado;
- (c) los costos de reinstalación del equipo reemplazado;
- (d) daños emergentes de cualquier naturaleza; y
- (e) el reembolso de cualquier pérdida causada por la interrupción del servicio.

A los fines de esta garantía, los términos “Distribuidor”, “Comerciante” y “Cliente” se definen como sigue:

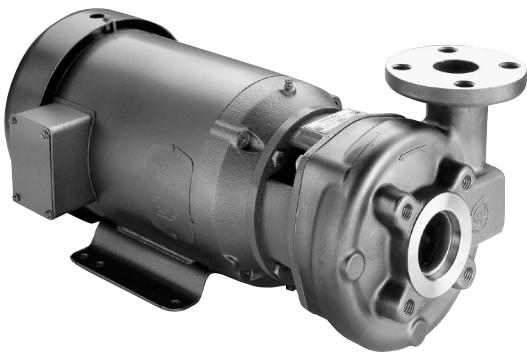
- (1) “Distribuidor” es aquel individuo, sociedad, corporación, asociación u otra entidad jurídica que opera entre Goulds Water Technology y el comerciante para la compra, consignación o contratos de venta de las bombas en cuestión.
- (2) “Comerciante” es todo individuo, sociedad, corporación, asociación u otra entidad jurídica que realiza negocios de venta o alquiler-venta (leasing) de bombas a clientes.
- (3) “Cliente” es toda entidad que compra o que adquiere bajo la modalidad de leasing las bombas en cuestión de un comerciante. El término “cliente” puede significar un individuo, una sociedad, una corporación, una sociedad de responsabilidad limitada, una asociación o cualquier otra entidad jurídica con actividades en cualquier tipo de negocios.

LA PRESENTE GARANTÍA SE EXTIENDE AL COMERCIANTE ÚNICAMENTE

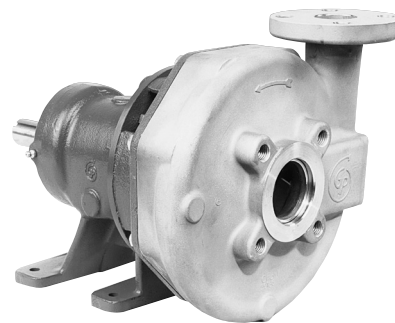


Xylem, Inc.
2881 East Bayard Street Ext., Suite A
Seneca Falls, NY 13148
Teléfono: (800) 453-6777
Fax: (888) 322-5877
www.xylem.com/brands/gouldswatertechnology

Goulds es una marca registrada de Goulds Pumps, Inc. y se utiliza bajo licencia.
© 2012 Xylem Inc. IM009 Revisión Número 2 Julio 2012



3657



3757

Modèles 3657 et 3757

DIRECTIVES D'INSTALLATION, D'UTILISATION ET D'ENTRETIEN

Informations pour le propriétaire

Numéro de modèle : _____

Numéro de série : _____

Détaillant : _____

Date d'achat : _____ Date de livraison : _____

Table des matières

SUJET	PAGE
Consignes de sécurité	18
Description et caractéristiques	18
1. Informations importantes	18
2. Installation	18
3. Tuyauterie d'aspiration	19
4. Tuyauterie de refoulement	19
5. Alignement des arbres – moteur et pompe	19
6. Sens de rotation.....	20
7. Utilisation.....	20
8. Entretien	20
9. Démontage.....	20
10. Remontage	21
11. Diagnostic des anomalies.....	21
Liste de pièces et matériaux	22
Garantie limitée de Goulds Water Technology	24

CONSIGNES DE SÉCURITÉ

AFIN DE PRÉVENIR LES BLESSURES GRAVES OU MORTELLES ET LES DOMMAGES MATÉRIELS IMPORTANTS, LIRE ET SUIVRE TOUTES LES CONSIGNES DE SÉCURITÉ FIGURANT DANS LE MANUEL ET SUR LA POMPE.



Le symbole ci-contre est un SYMBOLE DE SÉCURITÉ employé pour signaler sur la pompe et dans le manuel les mots-indicateurs dont on trouvera la description ci-dessous. Sa présence sert à attirer l'attention afin d'éviter les blessures et les dommages matériels.



Préviens des risques qui **VONT** causer des blessures graves, la mort ou des dommages matériels importants.



Préviens des risques qui **PEUVENT** causer des blessures graves, la mort ou des dommages matériels importants.




Préviens des risques qui **PEUVENT** causer des blessures ou des dommages matériels.


AVIS : SERT À ÉNONCER LES DIRECTIVES SPÉCIALES DE GRANDE IMPORTANCE QUE L'ON DOIT SUIVRE.


LE PRÉSENT MANUEL A POUR BUT DE FACILITER L'INSTALLATION ET L'UTILISATION DE LA POMPE. LIRE SOIGNEUSEMENT CHAQUE DIRECTIVE ET AVERTISSEMENT AVANT D'EFFECTUER TOUT TRAVAIL SUR LA POMPE.


N'ENLEVER AUCUNE DÉCALCOMANIE DE SÉCURITÉ.




 Installer la pompe, la mettre à la terre et la brancher suivant les prescriptions du code provincial ou national de l'électricité.

 Poser un sectionneur tout conducteur près de la pompe.

 Verrouiller le disjoncteur du circuit électrique de la pompe en position ouverte avant de procéder à l'installation ou à l'entretien de la pompe.

 L'alimentation électrique doit être conforme aux spécifications de la plaque signalétique. Une tension inappropriée peut causer un incendie ou des dommages au moteur et annule la garantie.

 Le protecteur thermique des moteurs monophasés coupe le courant lorsqu'il y a surcharge et le rétablit automatiquement, redémarrant ainsi la pompe de façon imprévue.

DESCRIPTION et CARACTÉRISTIQUES

Les pompes 3657 (groupes monobloc, c.-à-d. pompes montées sur moteur) et 3757 (pompes montées sur palier) sont des pompes à un étage, à orifice d'aspiration en bout, conçues pour les systèmes d'alimentation en eau ultrapure, la transformation des aliments et des boissons, le matériel OEM et les produits chimiques ne requérant pas de matériel conforme aux normes ANSI.

Les pompes sont munies d'une roue fermée en inox AISI 316 coulé de précision, clavetée sur l'arbre et retenue par un écrou de blocage étanché avec un joint torique. Elles sont du type à volute en inox AISI 316 coulé de précision, à ensemble d'entraînement de roue amovible et à raccords d'aspiration et de refoulement à bride ANSI standard

pour une pression de 150 lbf-pi. L'arbre de pompe, qui est étanché avec une garniture mécanique, est protégé par une chemise d'arbre en inox dont l'étanchéité est assurée par un joint torique.

Les groupes monobloc sont dotés de moteurs à carcasse conforme aux normes NEMA, d'un adaptateur en C et d'une rallonge d'arbre JM. Les pompes sur palier peuvent être reliées au moteur par un accouplement ou une courroie.

1. Informations importantes

- 1.1. Inspecter l'appareil et signaler immédiatement tout dommage au transporteur ou au détaillant.
- 1.2. L'alimentation électrique doit être assurée par un circuit de dérivation distinct dont les fusibles ou les disjoncteurs, le calibre des fils, etc. sont conformes aux prescriptions du code provincial ou national de l'électricité. Poser un sectionneur tout conducteur près de la pompe.



Tension dangereuse

ON DOIT TOUJOURS COUPER LE COURANT LORSQUE L'ON EFFECTUE QUELQUE TRAVAIL QUE CE SOIT SUR LA POMPE OU LES COMMANDES.

- 1.3. Le câblage d'alimentation du moteur doit convenir à la tension de fonctionnement. Le schéma de câblage se trouve sur la plaque signalétique du moteur. Les fils doivent avoir un calibre limitant la chute de tension maximale, aux bornes du moteur, à 10 % de la valeur de tension indiquée sur la plaque signalétique, sinon la durée de vie du moteur et les performances de la pompe diminueront.
- 1.4. Il faut toujours employer des contacteurs et des démarreurs de puissance nominale en horse-power (hp).
- 1.5. Protection du moteur

1.5.1. Moteurs monophasés – ces moteurs sont parfois munis d'une protection thermique intégrée (voir la plaque signalétique). Dans le cas contraire, utiliser un contacteur à protection appropriée contre les surcharges. Les dispositifs fusibles sont admissibles.

1.5.2. Moteurs triphasés – employer une protection trois conducteurs appropriée contre les surcharges thermiques ainsi qu'un démarreur magnétique convenant à la charge électrique.

- 1.6. Limites d'utilisation maximales

Température du liquide : 100 °C (212 °F), avec garniture mécanique standard ;
120 °C (250 °F), avec garniture méc. hautes tempér. optionn.

Pression : 175 lb/po²

Démarrages par heure : 20, répartis uniformément

- 1.7. Une inspection et un entretien réguliers augmenteront la durée de vie de l'appareil. Établir un programme d'entretien et d'inspection basé sur le temps de fonctionnement. Voir la section 8.

2. Installation

- 2.1. Généralités

2.1.1. Placer la pompe aussi près de la source de liquide que possible (au-dessous du niveau du liquide pour qu'elle fonctionne automatiquement).

2.1.2. Protéger l'appareil contre les inondations et le gel.

2.1.3. Prévoir assez d'espace autour de la pompe pour l'entretien et l'aération.

2.1.4. La tuyauterie doit posséder ses propres supports et « être alignée » sans contraintes sur la pompe.

ATTENTION ! : LA TUYAUTERIE DOIT ÊTRE POSÉE E FAÇON À NE JAMAIS APPLIQUER DE CONTRAINTES SUR LES RACCORDS D'ASPIRATION ET DE REFOULEMENT DE LA POMPE.

2.1.5. Ne poser aucun accessoire ni raccord de tuyauterie superflus. Choisir le calibre approprié pour réduire les pertes de charge au minimum.

2.1.6. Une fois la tuyauterie raccordée, faire tourner la pompe à la main pour vérifier s'il y a grippage.

2.2. Groupes monobloc (pompes montées sur moteur)

2.2.1. Les groupes monobloc peuvent être installés sur une surface horizontale, inclinée ou verticale.

ATTENTION ! : NE PAS PLACER LE MOTEUR PLUS BAS QUE LA POMPE AFIN DE LE PROTÉGER CONTRE LES FUITES ET L'EAU DE CONDENSATION.

2.2.2. On doit fixer l'appareil à une dalle (ou massif) de béton plane et solide pour empêcher que le serrage des boulons ne cause de contraintes. Monter l'appareil sur caoutchouc pour réduire le bruit et les vibrations au minimum.

2.2.3. Serrer les boulons de fixation du moteur avant de raccorder la tuyauterie à la pompe.

2.3. Pompes montées sur palier

2.3.1. On doit remplir de coulis le vide entre la plaque de base et la dalle, qui doit reposer sur une semelle de fondations solide (v. fig. 1).

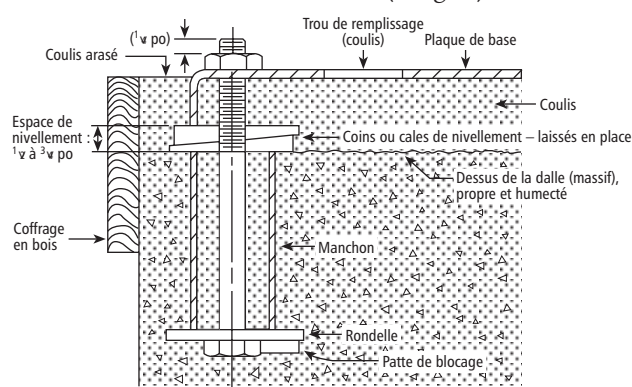


Figure 1

2.3.2. Placer l'appareil sur des coins de nivellement situés en quatre points distincts : deux sous le centre approximatif du moteur et deux sous celui de la pompe. À l'aide des coins et d'un fil à plomb (ou d'un niveau), mettre l'appareil et les brides d'aspiration et de refoulement de niveau.

2.3.3. S'assurer que la plaque de base n'est pas déformée et que l'alignement final de l'accouplement est possible dans les limites de calage ou de déplacement du moteur.

2.3.4. Serrer les boulons d'ancrage à la main et construire un coffrage autour de la plaque de base. Verser du coulis sous la plaque de base. Voir à ce qu'il n'y ait aucun vide dans le coulis, sous les pattes du moteur et le socle du palier. Laisser le coulis durcir pendant 48 heures avant de serrer les boulons d'ancrage à fond.

2.3.5. Serrer les boulons de fixation du palier et du moteur avant de raccorder la tuyauterie à la pompe.

3. Tuyauterie d'aspiration

3.1. Une hauteur géométrique d'aspiration réduite et une tuyauterie d'aspiration directe et courte sont souhaitables. Si la hauteur d'aspiration dépasse 10 pi, et la température du liquide, 120 °F, voir la courbe de performances de la pompe pour obtenir la hauteur nette d'aspiration requise (NPSHR).

3.2. Le calibre du tuyau d'aspiration doit être au moins égal à celui du raccord d'aspiration de la pompe pour éviter les pertes de performances.

3.3. S'il faut un tuyau plus gros, on doit installer un raccord réducteur excentré (le côté non oblique en haut) à la pompe.

3.4. Pompe placée plus bas que la source de liquide

3.4.1. Poser un robinet d'isolement à passage intégral sur le tuyau d'aspiration pour l'inspection et l'entretien.

ATTENTION ! : NE PAS EMPLOYER LE ROBINET D'ISOLEMENT POUR RÉDUIRE LA SECTION DE PASSAGE VERS LA POMPE.

3.5. Pompe placée plus haut que la source de liquide

3.5.1. Afin de prévenir les poches d'air, aucun élément de la tuyauterie d'aspiration ne devrait être plus haut que le raccord d'aspiration de la pompe. Donner à la tuyauterie une inclinaison vers le haut à partir de la source de liquide.

3.5.2. Chaque joint doit être étanche.

3.5.3. On n'emploiera un clapet de pied que s'il est requis pour amorcer la pompe ou la maintenir amorcée pendant les arrêts.

3.5.4. La section de passage de la crépine du tuyau d'aspiration doit être au moins le triple de celle du tuyau.

3.6. Le diamètre (d) et la hauteur d'immersion minimale (h min.) de l'entrée du tuyau d'aspiration doivent être suffisants pour empêcher l'aspiration d'air par vortex (v. fig. 2 à 5).

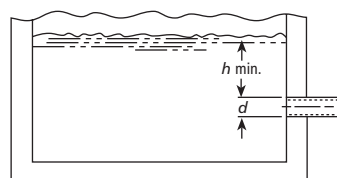


Figure 2

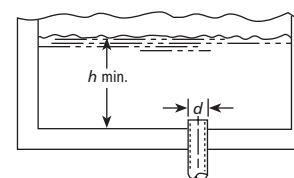


Figure 3

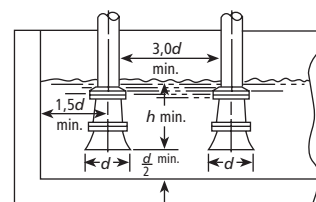


Figure 4

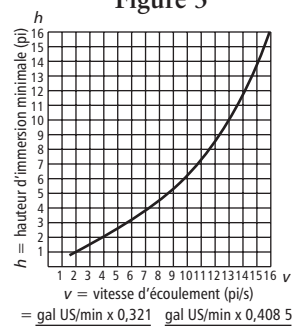


Figure 5

4. Tuyauterie de refoulement

- 4.1. L'installation doit comporter un robinet-vanne, ainsi qu'un clapet de non-retour placé entre le robinet-vanne et la pompe. Le robinet-vanne sert au réglage du débit et à l'inspection de la pompe et du clapet de non-retour.
- 4.2. Si un raccord agrandisseur est nécessaire, le poser entre le clapet de non-retour et la pompe.

5. Alignement des arbres – moteur et pompe

5.1. Groupes monobloc

5.1.1. Aucun alignement sur place n'est requis.

5.2. Pompes montées sur palier

5.2.1. Bien que l'alignement pompe-moteur ait été exécuté en usine, il peut avoir été dérégulé pendant le transport. On doit donc le vérifier avant la mise en service de la pompe (v. fig. 6).

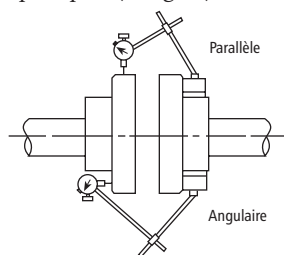


Figure 6

5.2.2. S'assurer que tous les boulons de fixation sont bien serrés avant de vérifier l'alignement.

5.2.3. Si l'alignement est nécessaire, on ne doit déplacer que le moteur. Employer des cales au besoin.

5.2.4. Pour rectifier un désalignement parallèle (axes d'arbre parallèles mais non concentriques), fixer au moyeu d'un demi-accouplement un comparateur à cadran. Déplacer le curseur de 360° le long de la périphérie de l'autre demi-accouplement tout en notant l'écart indiqué par l'aiguille du comparateur. L'alignement convient si le faux-rond total est de 0,005 po ou moins.

5.2.5. Pour rectifier un désalignement angulaire (axes d'arbre concentriques au point d'accouplement mais non parallèles ailleurs), fixer au moyeu d'un demi-accouplement un comparateur à cadran. Déplacer le curseur de 360° le long du plateau de l'autre demi-accouplement tout en notant l'écart indiqué par l'aiguille du comparateur. L'alignement convient si le faux-rond total est de 0,005 po ou moins.

5.2.6. L'alignement final convient quand il satisfait aux exigences sur l'alignement parallèle et angulaire après que les boulons de fixation du moteur aient été serrés à fond.

ATTENTION ! : ON DOIT VÉRIFIER LES DEUX TYPES D'ALIGNEMENT APRÈS CHAQUE RÉGLAGE.

6. Sens de rotation

6.1. La rotation appropriée est en sens horaire (vers la droite, vue de l'extrémité du moteur). Démarrer et arrêter la pompe immédiatement tout en observant le sens de rotation de l'arbre. Changer le sens de rotation comme suit.

6.1.1. Moteur monophasé : voir le schéma de câblage sur le moteur.

6.1.2. Moteur triphasé : intervertir deux conducteurs d'alimentation du moteur.

7. Utilisation

7.1. Avant de mettre la pompe en service, on doit l'amorcer (pour en chasser l'air), remplir de liquide le tuyau d'aspiration et entrouvrir le robinet de refoulement.

ATTENTION ! : LES LIQUIDES POMPÉS SERVENT DE LUBRIFIANT. SI LA POMPE TOURNAIT À SEC, LES PIÈCES MOBILES GRIPPERAIENT, ET LA GARNITURE MÉCANIQUE S'ENDOMMAGERAIT. IL NE FAUT DONC PAS FAIRE MARCHER LA POMPE LORSQUE SON DÉBIT EST NUL OU PRESQUE, CAR LE PEU DE LIQUIDE S'Y TROUVANT ABSORBERAIT LA CHALEUR PRODUITE PAR FROTTEMENT ET POURRAIT SE CHANGER RAPIDEMENT EN VAPEUR. LES PIÈCES MOBILES DOIVENT ÊTRE LUBRIFIÉES PAR LE LIQUIDE POUR NE PAS S'ABÎMER NI GRIPPER.

7.2. Faire fonctionner l'appareil dans des conditions normales jusqu'à ce que sa température se stabilise, puis vérifier tout le système. Vérifier également la dilatation de la tuyauterie. Dans les cas des pompes sur palier, la différence de température entre le moteur et l'ensemble pompe-palier peut causer le désalignement des arbres. Par conséquent, vérifier l'alignement de nouveau.

8. Entretien

8.1. Groupes monobloc

8.1.1. Les roulements sont situés à l'intérieur du moteur. Suivre les directives du fabricant du moteur pour leur graissage.

8.2. Pompes sur palier

8.2.1. On devrait graisser les roulements de palier à la fin de la période suivante expirant la première : 2 000 heures de fonctionnement ou trois (3) mois de temps écoulé. Injecter dans les roulements de la graisse au lithium ou au sodium n° 2 jusqu'à ce qu'elle sorte par les garnitures ou les joints à lèvres, puis en essuyer le surplus.

8.2.2. Suivre les directives du fabricant du moteur et de l'accouplement pour le graissage.

8.2.3. Vérifier l'alignement de nouveau après tout travail d'entretien nécessitant le déplacement de l'appareil.

9. Démontage

Le démontage complet de la pompe est décrit ci-dessous. Ne démonter que ce qui permet de faire l'entretien requis.

9.1. Couper le courant.

9.2. Vidanger le système. Le rincer au besoin.

9.3. Dans le cas des groupes monobloc, enlever les boulons de fixation du moteur. Quant aux pompes sur palier, ôter le carter d'accouplement, la pièce d'écartement, l'accouplement et les boulons de fixation du palier.

9.4. Tête de pompage

9.4.1. Enlever les vis de fixation (370) de l'adaptateur (108) au corps de pompe (100).

9.4.2. Écarter l'ensemble d'entraînement de la roue d'avec le corps de pompe.

9.4.3. Enlever l'écrou de blocage (304) de la roue (101) avec une clé à douilles.

ATTENTION ! : NE PAS INSÉRER DE TOURNEVIS ENTRE LES AUBES DE LA ROUE POUR EMPÊCHER CELLE-CI DE TOURNER.

Il faudra peut-être bloquer la roue avec un serre-tubes à sangle si l'on ne parvient pas à desserrer l'écrou de blocage en donnant des coups secs sur la clé. S'il s'agit d'une pompe sur palier, en immobiliser l'arbre.

9.4.4. Ôter la roue au moyen de deux leviers placés l'un en face de l'autre (angle de 180°).

9.4.5. Retirer la clavette (178) de la roue et le ressort de la garniture mécanique (383).

9.4.6. Avec deux leviers insérés l'un en face de l'autre dans les ouvertures de l'adaptateur, ôter le manchon d'arbre (126), ainsi que l'élément mobile de la garniture mécanique.

9.4.7. Déposer les vis de fixation (370H) de l'adaptateur au logement de garniture (184). Enlever le logement de garniture (avec les éléments fixes de la garniture).

9.4.8. Placer le logement de garniture sur une surface plane, puis en extraire les éléments fixes de la garniture.

9.5. Palier

9.5.1. Enlever les vis de fixation (370C) et le couvercle de palier (134). Retirer le déflecteur annulaire en V (123) de l'arbre.

9.5.2. Sortir l'ensemble arbre du corps de palier (228).

9.5.3. Retirer les joint à lèvres (333A) – celui du corps de palier et celui du couvercle de palier – s'ils sont usés ou censés être remplacés.

9.5.4. Redresser la languette de la rondelle de blocage (382), puis ôter l'écrou de blocage (136) et la rondelle de blocage.

9.5.5. Enlever les roulements (112 et 168) avec un arrache-roulement ou une presse à mandriner.

10. Remontage

10.1. Chaque pièce devrait être nettoyée avant le remontage.

10.2. Voir la liste de pièces pour déterminer les pièces de rechange requises. Préciser le numéro de pièce ou de catalogue de la pompe lorsque l'on commande des pièces.

10.3. Le remontage se fait dans l'ordre inverse du démontage.

10.4. Suivre les directives ci-dessous en remontant le palier :

10.4.1. Remplacer les joints à lèvres s'ils sont usés ou endommagés.

10.4.2. Remplacer les roulements à billes s'ils ont du jeu, s'ils ne tournent pas rond ou s'ils sont bruyants.

10.4.3. Vérifier si la partie de l'arbre devant recevoir

le manchon d'arbre comporte un faux-rond : le faux-rond maximal admissible est de 0,002 po.

10.5. Suivre les directives ci-dessous en remontant la tête de pompage :

10.5.1. Tous les éléments de la garniture mécanique doivent être en bon état pour empêcher les fuites. Le remplacement de la garniture en entier est une pratique courante appropriée chaque fois que la garniture est enlevée.

On peut utiliser un lubrifiant léger tel que la glycérine pour faciliter la pose de la garniture mécanique. Ne pas contaminer les surfaces de la garniture avec le lubrifiant.

10.5.2. Inspecter le joint torique (513) du logement de garniture et le remplacer s'il est endommagé. Pour en faciliter la pose, on peut employer du pétrolatum (*vaseline*).

10.5.3. Inspecter les deux joints toriques (412A) de la roue, situés entre la roue et son écrou de blocage et entre la roue et le manchon d'arbre.

10.6. Une fois la pompe remontée, vérifier s'il y a grippage et apporter les corrections nécessaires.

11. Diagnostic des anomalies

NON-FONCTIONNEMENT DU MOTEUR

(V. causes probables 1 à 6)

DÉBIT DE LIQUIDE FAIBLE OU NUL

(V. causes probables 7 à 17)

CONSOMMATION D'ÉNERGIE EXCESSIVE

(V. causes probables 4, 17, 18, 19 et 22)

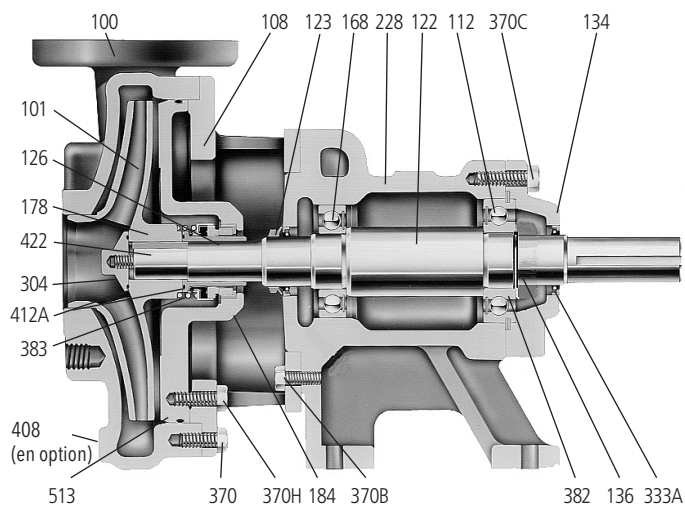
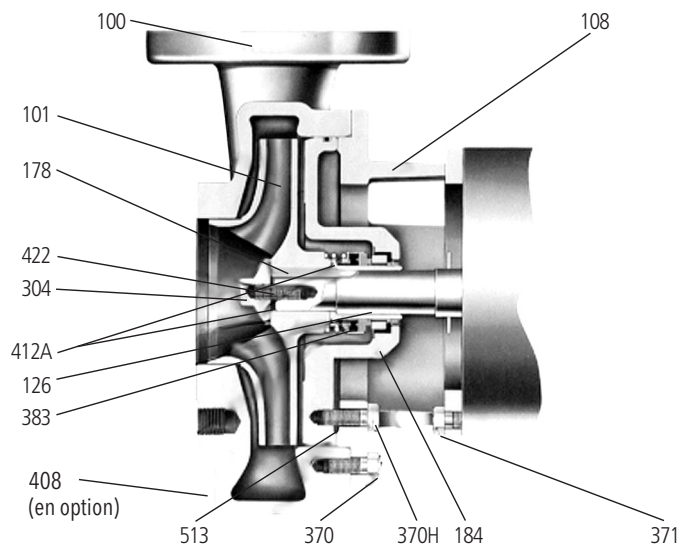
VIBRATION ET BRUIT EXCESSIFS

(V. causes probables 4, 6, 9, 13, 15, 16, 18, 20, 21 et 22)

CAUSE PROBABLE

1. Protecteur thermique déclenché
2. Disjoncteur ouvert
3. Fusible sauté
4. Pièces mobiles grippées
5. Moteur mal connecté
6. Moteur défectueux
7. Pompe non amorcée
8. Tuyau de refoulement obstrué ou robinet fermé
9. Mauvais sens de rotation
10. Clapet de pied trop petit, entrée de tuyau d'aspiration non immergée, crépine obstruée
11. Basse tension électrique
12. Perte de phase (moteurs triphasés seulement)
13. Présence d'air ou de gaz dans le liquide
14. Hauteur de charge du système trop élevée
15. Hauteur nette d'aspiration disponible (NPSHA) trop faible : hauteur ou perte d'aspiration excessives – à vérifier avec un vacuomètre
16. Roue usée ou engorgée
17. Diamètre de roue inapproprié
18. Hauteur de charge trop faible : débit excessif
19. Viscosité ou densité trop élevées
20. Roulement(s) usé(s)
21. Pompe ou tuyauterie mal assujetties
22. Pompe et moteur désalignés

Liste de pièces et matériaux



Composants de la tête de pompage		
N° d'art.	Description	Matériau
100*	Corps de pompe	Inox 316 coulé de précision
101*	Roue	
184*	Logement de garniture mécanique	
304*	Écrou de blocage (roue)	Inox 316
422	Goujon (roue)	Acier
178	Clavette (roue)	
126*	Manchon d'arbre	Inox 316
412A	Joints toriques (roue)	Buna
408*	Bouchon de vidange (corps de pompe), 1/4 po NPT	Inox 316
513	Joint torique (corps de pompe)	Buna
370	Vis de fixation à tête hexagonale (adaptateur-corps de pompe)	Inox 304
370H	Vis de fixation à tête hexagonale (adaptateur-log. de garn. méc.)	
383	Garniture mécanique	C, CS, viton (standard)
		C, CS, E-P (en option)
		CS, CS, viton (en option)
Composants du palier		
108	Adaptateur	Fonte
228	Corps de palier	
122	Arbre de pompe	Acier
168	Roulement à billes interne	Acier
112	Roulement à billes externe	
123	Défecteur annulaire en V	Buna-N
136	Écrou de blocage (roulement)	Acier
382	Rondelle de blocage (roulement)	
134	Couvercle de palier	Fonte
333A	Joints à lèvres (roulements)	Buna, acier
193	Graisseurs	Acier
370B	Vis de fixation à tête hexagonale (adaptateur-corps de palier)	
370C	Vis de fixation à tête hexagonale (corps de palier-couv. de palier)	
Caractéristiques des matériaux	Matériau	Norme technique
	Fonte	ASTM A48 CL20
	Acier	ASTM A108 ; SAE, série 1200
	Inox 316 coulé de précision	ASTM A743, nuance CF-8M
	Inox 316	ASTM A276, type 316
Inox 304	ASTM A276, type 304	

* Composant en contact avec le liquide pompé
 C = carbone ; CS = carbure de silicium ; E-P = éthylène-propylène.

GARANTIE LIMITÉE DE GOULDS WATER TECHNOLOGY

La présente garantie s'applique à chaque pompe de système d'alimentation en eau fabriquée par Goulds Water Technology.

Toute pièce se révélant défectueuse durant la période de garantie sera remplacée sans frais pour le détaillant durant ladite période, qui dure douze (12) mois à compter de la date d'installation ou dix-huit (18) mois à partir de la date de fabrication, soit la période qui expirera la première.

Le détaillant qui, aux termes de cette garantie, désire effectuer une demande de règlement doit s'adresser au distributeur Goulds Water Technology agréé chez lequel la pompe a été achetée et fournir tous les détails à l'appui de sa demande. Le distributeur est autorisé à régler toute demande par le biais du service à la clientèle de Goulds Water Technology.

La garantie ne couvre pas :

- a) les frais de main-d'oeuvre ou de transport ni les frais connexes encourus par le détaillant ;
- b) les frais de réinstallation de l'équipement réparé ;
- c) les frais de réinstallation de l'équipement de remplacement ;
- d) les dommages indirects de quelque nature que ce soit ;
- e) ni les pertes découlant de la panne.

Aux fins de la présente garantie, les termes ci-dessous sont définis comme suit :

- 1) "Distributeur" signifie une personne, une société de personnes, une société de capitaux, une association ou autre entité juridique servant d'intermédiaire entre Goulds Water Technology et le détaillant pour les achats, les consignations ou les contrats de vente des pompes en question.
- 2) "Détaillant" veut dire une personne, une société de personnes, une société de capitaux, une association ou autre entité juridique dont les activités commerciales sont la vente ou la location de pompes à des clients.
- 3) "Client" signifie une entité qui achète ou loue les pompes en question chez un détaillant. Un "client" peut être une personne, une société de personnes, une société de capitaux, une société à responsabilité limitée, une association ou autre entité juridique se livrant à quelque activité que ce soit.

CETTE GARANTIE SE RAPPORTE AU DÉTAILLANT SEULEMENT.



Xylem, Inc.
2881 East Bayard Street Ext., Suite A
Seneca Falls, NY 13148
Téléphone: (800) 453-6777
Télécopie: (888) 322-5877
www.xylem.com/brands/gouldswatertechnology

Goulds est une marque déposée de Goulds Pumps, Inc. et est utilisé sous le permis.
© 2012, Xylem Inc. IM009 Révision numéro 2 Juillet 2012