



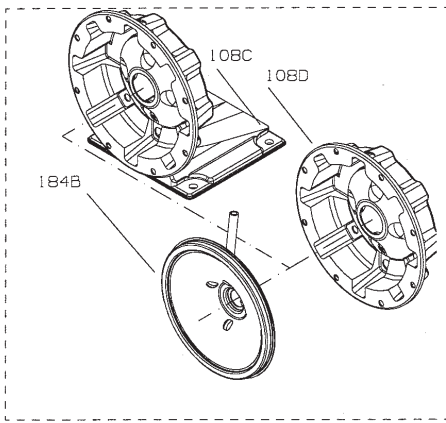
NPO REPAIR PARTS

Item No.	Description	Materials of Construction	1SN 1 x 1¼	2SN 1¼ x 1½	3SN 1½ x 2	Quantity
100	Casing	AISI 316L SS	1L499	1L440	1L441	1
101	Impeller		See Impeller Chart			
108A	Motor adapter with foot	AISI 316L SS	1L80			1
108B	without foot		1L87			
108C	with foot and flush		1L334			
108D	without foot and flush		1L335			
123	Deflector	BUNA-N	5K7			1
184A	Seal housing - standard	AISI 316L SS	1L79			1
184B	Seal housing with seal flush		1L333			
240	Motor support	300 SS	4L320			1
	Rubber channel	Rubber	9K188			1
304	Impeller locknut	AISI 316 SS	13K286			1
349	O-ring, internal	Viton standard	5L109	NR		1
		EPR	5K252	NR		
370	Socket head screw, casing	AISI 430 SS	13L65			8
371	Bolts, motor	Steel/plated	13K252			4
383	Mechanical seal	See Mechanical Seal Chart				1
408	Drain and vent plug, casing	AISI 316 SS	6L3			2
412B	O-ring, drain plugs	Viton standard	5L99			2
		EPR	5L80			
513	O-ring, casing	Viton standard	5K206			1
		EPR	5K193			

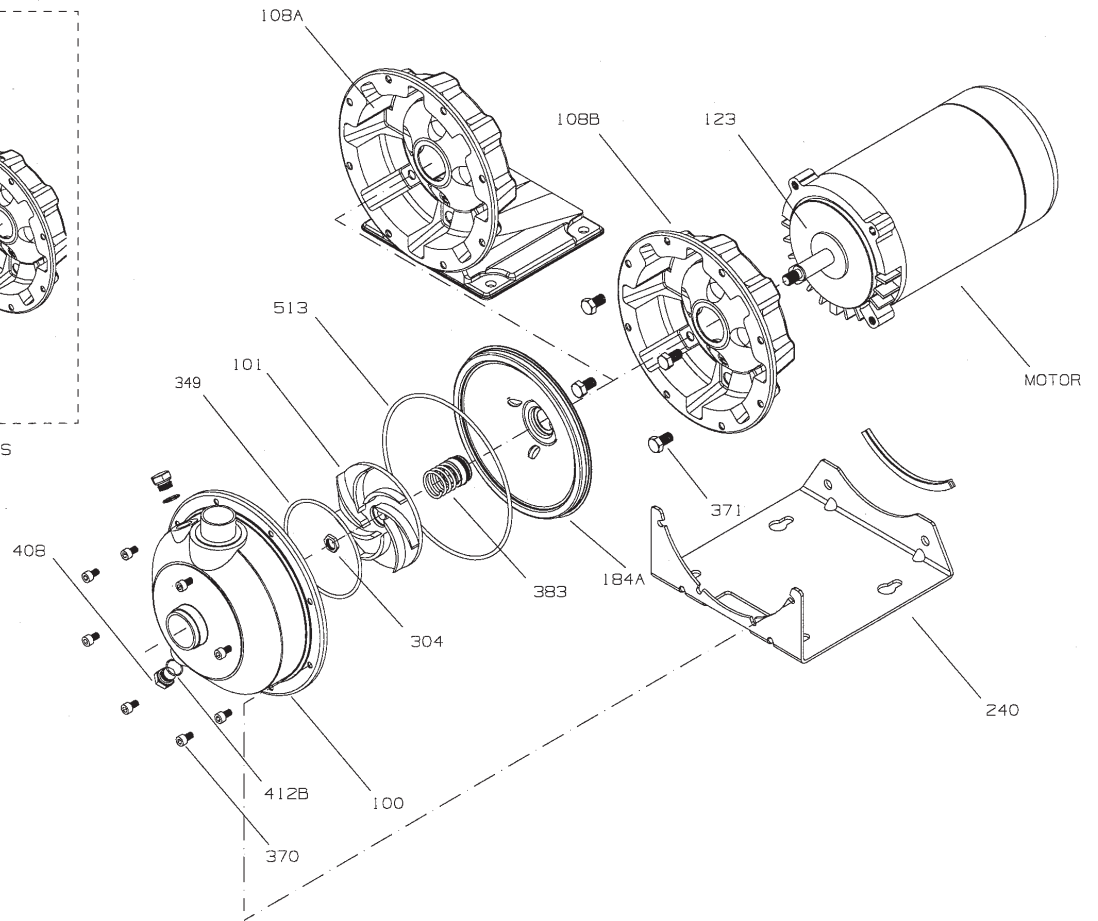
Impeller Code	Pump Size					
	1SN 1 x 1¼ - 6		2SN 1¼ x 1½ - 6		3SN 1½ x 2 - 6	
	Diameter	Part No.	Diameter	Part No.	Diameter	Part No.
A	4 ⁵ / ₁₆	2K557	5 ¹ / ₁₆	2L704	5 ¹ / ₁₆	2L711
B	4	2K558	5 ¹ / ₁₆	2L705	5 ¹ / ₄	2L712
C	3 ³ / ₄	2K559	4 ⁵ / ₁₆	2L706	4 ¹⁵ / ₁₆	2L713
D	3 ¹ / ₂	2K560	4 ³ / ₁₆	2L707	4 ⁷ / ₈	2L714
E	3 ¹ / ₄	2K561	4 ¹ / ₁₆	2L708	4 ¹ / ₁₆	2L715
F	3	2K562	3 ³ / ₄	2L709	4 ³ / ₁₆	2L716
G	5 ³ / ₈	2K711	3 ⁷ / ₁₆	2L710	3 ³ / ₄	2L717
H	5	2K710	-	-	-	-

John Crane Type 21 Mechanical Seal (5/8" Seal)					
Seal Code	Rotary	Stationary	Elastomers	Metal	Part No.
2	Carbon	Silicon-Carbide	EPR	316SS	10K18*
4			Viton		10K55***
5	Sil-Carb.		EPR		10K81
6			Viton		10K62**

Note: * Replaces obsolete 10K56. ** Replaces obsolete 10K29. *** Replaces obsolete 10K46 and 10K24.



OPTIONAL SEAL FLUSH COMPONENTS



Order Online: www.PumpCatalog.com

Xylem Inc.

2881 East Bayard Street Ext., Suite A, Seneca Falls, NY 13148

Phone: (800) 453-6777 Fax: (888) 322-5877

www.gouldswatertechnology.com

