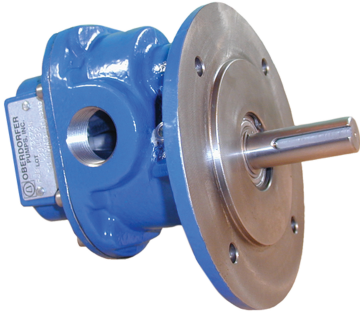


DUCTILE IRON CLOSED COUPLED ROTARY GEAR PUMPS

GEAR PUMPS SERIES C994



FEATURES

- Ductile Iron construction with steel shafts
- Stainless steel helical gears for quiet operation
- Mechanical seal
- Self lubricating carbon bearings
- O-ring seal for maximum leak protection
- Durable temperature-resistant paint finish
- Easy field assembly to C-face motors
- Compact dimensions

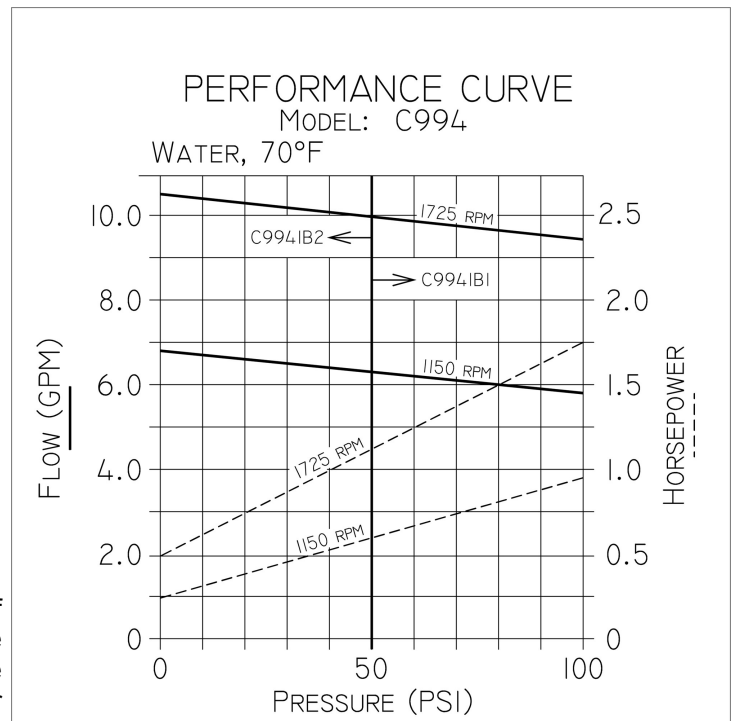
DRIVE

These close-coupled pumps mount directly to a full range of NEMA and IEC C-face motors by means of a suitable adapter bracket. The pump drive shaft is connected to the motor shaft by flexible coupling. Complete pump and motor units are available.

LIQUIDS AND TEMPERATURE

Designed to handle a wide range of water-based and synthetic machine tool coolants at moderate temperatures to 180° F.

PERFORMANCE

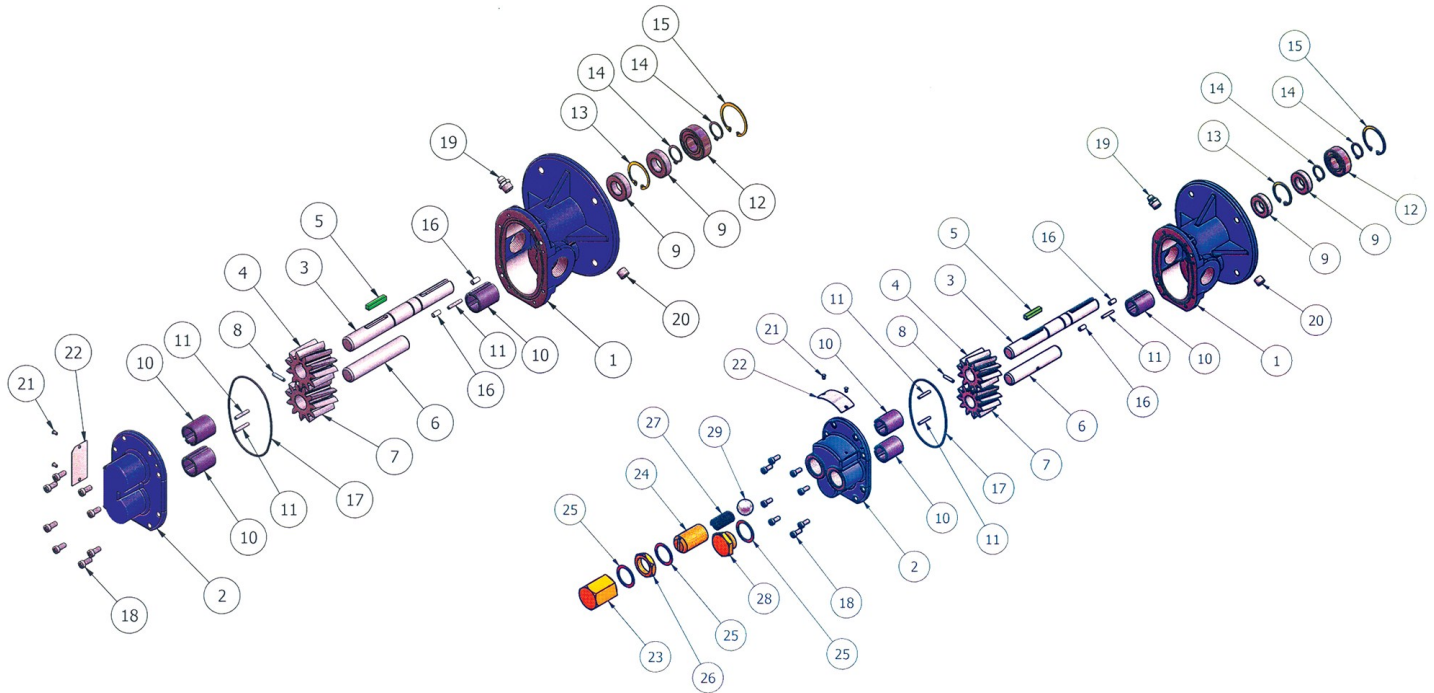


SUCTION LIFT

If possible, place the pump at an elevation below the liquid source. However, since these positive displacement external gear pumps will generate 23" HG lift, this is not a requirement. As a general rule, place the pump as close to the liquid source as possible. For a first start-up, the pump should be primed to avoid dry running. Minimum size of the suction pipe is the size of the pump inlet port. For longer suction lines (over 3 feet), the pipe size should be at least one or two sizes larger than the pump inlet port.

These positive displacement external gear pumps will generate 23" HG lift, a feature found to be essential for years of successful cycling. As a general rule, place the pump as close to the liquid source as possible. For a first start-up, the pump should be primed to avoid dry running. Minimum size of the suction pipe is the size of the pump inlet port. For longer suction lines (over 3 feet), the pipe size should be at least one size or two sizes larger than the pump inlet port.

EXPLODED VIEW AND PARTS LIST



	1	2	3	4	5	6	7	8	9	10	11	12	13	14	15
	Bypass Nut	Adjust. Screw	Fiber Washer	Locknut	Spring	Plugnut	Ball	Body	Cover	Drive Shaft	Idle Shaft	Drive Gear	Idle Gear	Lip Seal	Bearing Carbon
Pump No.	Qty. 1	Qty. 1	Qty. 3	Qty. 1	Qty. 1	Qty. 1	Qty. 1	Qty. 1	Qty. 1	Qty. 1	Qty. 1	Qty. 1	Qty. 1	Qty. 2	Qty. 3
C9941B2	N/A	N/A	N/A	N/A	N/A	N/A	N/A	9320UEZN	9322UN5N	2785	2786	2888	2889	9354-03	2688
C994R1B2	5204	5200	2692	5209	5207	5205	5206	9320UEZN	9323UN5B	2785	2786	2888	2889	9354-03	2688
	16	17	18	19	20	21	22	23	24	25	26	27	28	29	
	Bearing Pin	Bearing Ball	Ret. Ring	Ret. Ring	Ret. Ring	Key	Screw	Dowel Pin	Tag	Stick Screw	Pipe Plug	Grease Cup	O-Ring	Adapter Kits	
Pump No.	Qty. 3	Qty. 10	Qty. 4	Qty. 1	Qty. 10	Qty. 2	Qty. 8	Qty. 2	Qty. 1	Qty. 2	Qty. 1	Qty. 1	Qty. 1		
C9941B2	2687	5461	5382	5464	7557	6567	5385	8885	9344	9345	2052	5910	9797-041	See Chart	
C994R1B2	2687	5461	5382	5464	7557	6567	5385	8885	9344	9345	2052	5910	9797-041	See Chart	

Repair Kit, Part Number 12211, contains items 10-21 & 28.

	23	24	25	26	27	28	29	8	9	10	11	12	13	14	15
	Bypass Nut	Adjust. Screw	Fiber Washer	Locknut	Spring	Plugnut	Ball	Body	Cover	Drive Shaft	Idle Gear Assy.	Drive Gear	Mech Seal	Bearing Carbon	Bearing Pin
Pump No.	Qty. 1	Qty. 1	Qty. 3	Qty. 1	Qty. 1	Qty. 1	Qty. 1	Qty. 1	Qty. 1	Qty. 1	Qty. 1	Qty. 1	Qty. 1	Qty. 3	Qty. 3
C9941B1	N/A	N/A	N/A	N/A	N/A	N/A	N/A	9320UE4N	9322UN5N	2785	33127	2888	33109	2688	2687
C94R1B1	5204	5200	6964	5209	5207	5205	5206	9320UE4N	9323UN5B	2785	33127	2888	33109	2688	2687
	16	17	18	19	20	21	22	23	24	25	26				
	Bearing Ball	Ret. Ring	Ret. Ring	Ret. Ring	Key	Screw	Dowel Pin	Tag	Stick Screw	O-Ring	Adapter Kits				
Pump No.	Qty. 1	Qty. 3	Qty. 1	Qty. 1	Qty. 1	Qty. 8	Qty. 2	Qty. 1	Qty. 2	Qty. 1					
C9941B1	2461	5382	5464	5374	6567	5385	8885	9344	9345	9797-041	See Chart				
C994R1B1	2461	5382	5464	5374	6567	5385	8885	9344	9345	9797-041	See Chart				

Repair Kit, Part Number 12216, contains items 10-20 & 25.

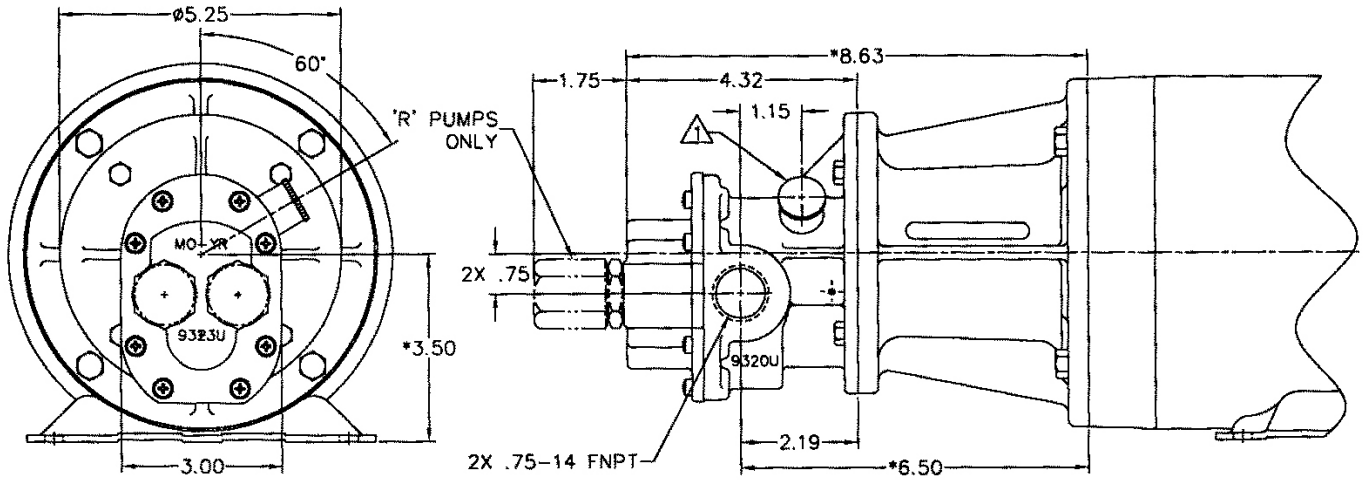
Adapter Kit	Part Number	Description
H	11299C	56C Frame
J	11300C	143TC/145TC
G	11380	IEC 71
T	11386	IEC 80

Adapter kits contain adapter, couplings & hardware to mount pump to specified frame size motor.

Adapter Kit	Part Number	Description
H	11299	56C Frame
J	11300	143TC/145TC
K	11301	182TC/184TC
L	11302	213TC/215TC
G	11380	IEC 71
T	11386	IEC 80
U	11875	IEC 90S/90L
V	11876	IEC 100L/112M

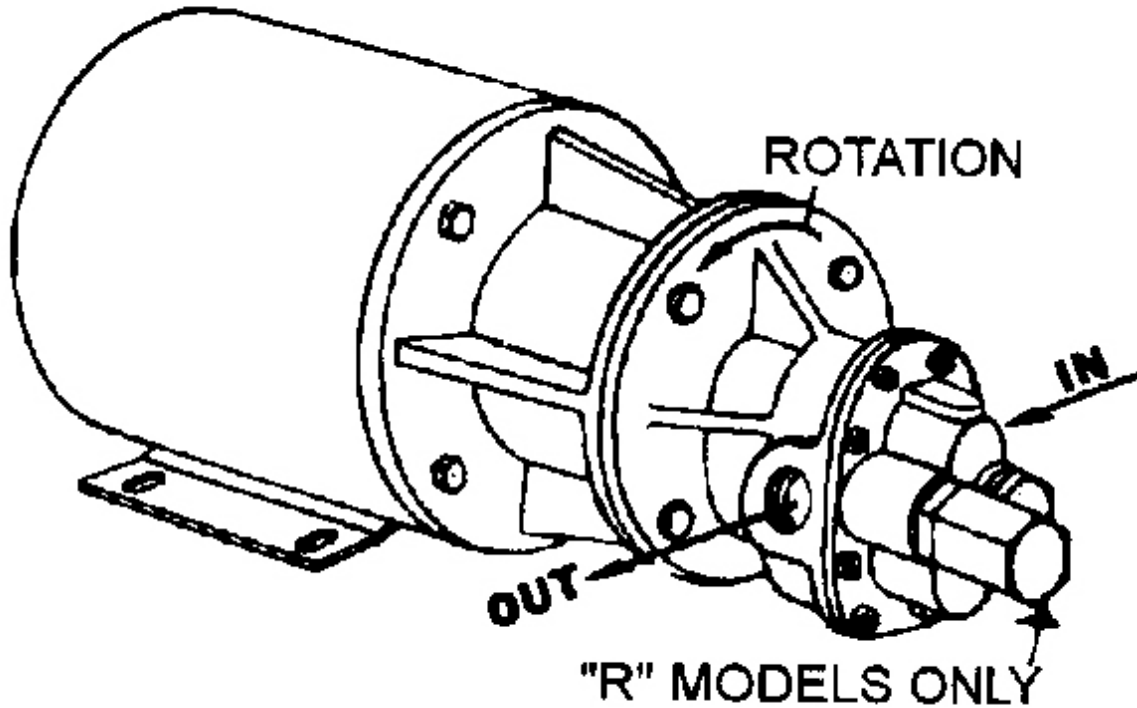
c990m2B1

DIMENSIONS



*THESE DIMENSIONS ARE SPECIFIC TO A 56C OR 143TC/145TC FRAME MOTOR.
⚠ GREASE CUP (ITEM 27) WITH A .125-27 NPT CONNECTION.

ROTATION



ADDITIONAL

Water 70° F

1725 RPM					Pump, Adapter & ODP Motor* No.	
PSI	GPM	HP Req'd	HP Motor	Motor Frame	Single Phase	Three Phase
0	10.5	0.5	1/2	56C	C9941B2H-J45	C9941B2H-J95
10	10.4	0.63	3/4	56C	C9941B2H-M37R	C9941B2H-M95
20	10.3	0.75	3/4	56C	C9941B2H-M37R	C9941B2H-M95
30	10.2	0.83	1	56C	C9941B2H-N26	C9941B2H-N95
40	10.1	0.90	1	56C	C9941B2H-N26	C9941B2H-N95
50	10.0	1.00	1 1/2	145TC	C9941B2J-T45	C9941B2J-T95

1150 RPM					Pump, Adapter & TEFC Motor* No.	
PSI	GPM	HP Req'd	HP Motor	Motor Frame	Single Phase	Three Phase
0	6.8	0.24	1/2	56C	C9941B2H-J46	C9941B2H-J96
10	6.7	0.27	1/2	56C	C9941B2H-J46	C9941B2H-J96
20	6.6	0.29	1/2	56C	C9941B2H-J46	C9941B2H-J96
30	6.5	0.36	1/2	56C	C9941B2H-J46	C9941B2H-J96
40	6.4	0.43	1/2	56C	C9941B2H-J46	C9941B2H-J96
50	6.3	0.50	3/4	56C	C9941B2H-M46	C9941B2H-M96

* TEFC motors available

1725 RPM

PSI	GPM	HP Req'd	HP Motor
0	8.4	0.10	1/3
20	8.2	0.24	1/3
40	8	0.38	1/3
60	7.7	0.54	1/2
80	7.5	0.71	3/4
100	7.3	0.88	1
125	7.1	1.08	1
150	6.9	1.30	1 ½

1140 RPM

PSI	GPM	HP Req'd	HP Motor
0	5.5	0.07	1/3
20	5.3	0.13	1/3
40	5	0.23	1/3
60	4.8	0.34	1/3
80	4.5	0.45	1/2
100	4.3	0.63	3/4
125	4.1	0.71	3/4
150	3.9	0.85	1

Adapter Kit	Kit Number	Description
M	10562	48 Frame
N	10816	56 Frame
P	11722	S56 Frame
Q	11331	56C Frame
F	11332	IEC71
----	-----	Adapterless-Modified 48