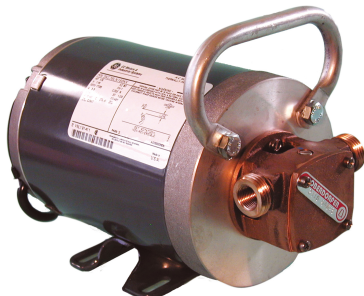


# BRONZE CLOSE COUPLED RUBBER IMPELLER PUMP

## RUBBER IMPELLER PUMPS SERIES N211D PERFORMANCE



### FEATURES

- Bronze construction - Corrosion Resistant
- Garden hose threads (external) & pipe threads (internal) port connections
- Impeller & cam easily replaced
- Large vent openings separate pump & motor
- Motor shafts are stainless steel
- Shaft slinger protects motor bearings
- Convenient carrying handle
- Sealed and grounded 3-conductor plug-in cord
- Meets U.S. Coast Guard Ignition Protection Requirements, 33CFR 183.410(a)
- PIPE SIZE: 3/8" ID AND 3/4" OD GARDEN HOSE

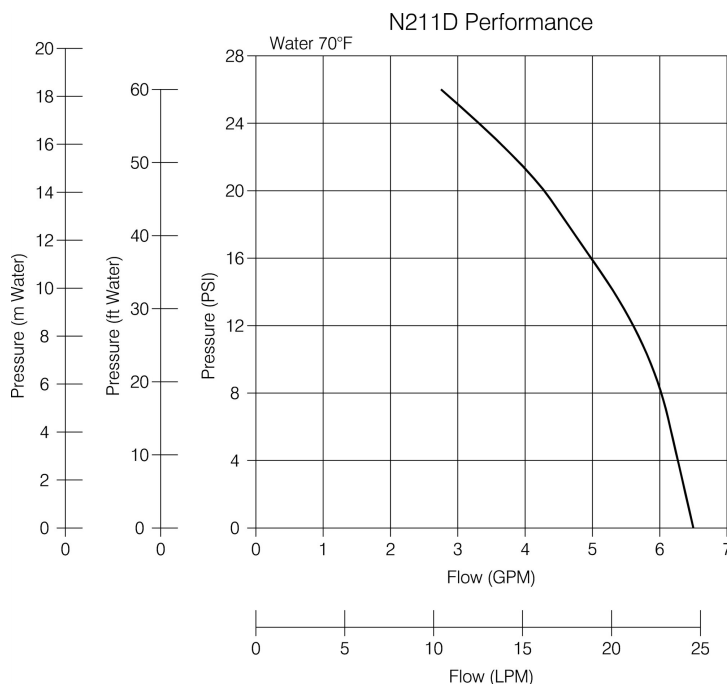
### DRIVE

Motor drive is clockwise facing pump end. Liquid flow direction is right to left facing pump end - see dimension drawing. Motor is 1/6 HP, 1725 RPM, 115VAC, TENV.

**DO NOT RUN DRY** - Rubber impellers generate high rubbing friction unless lubricated by liquid being pumped. Lack of liquid will cause impeller to burn up. Standard impeller in Neoprene (04), optional Nitrile impeller (05) available.

### LIQUIDS AND TEMPERATURE

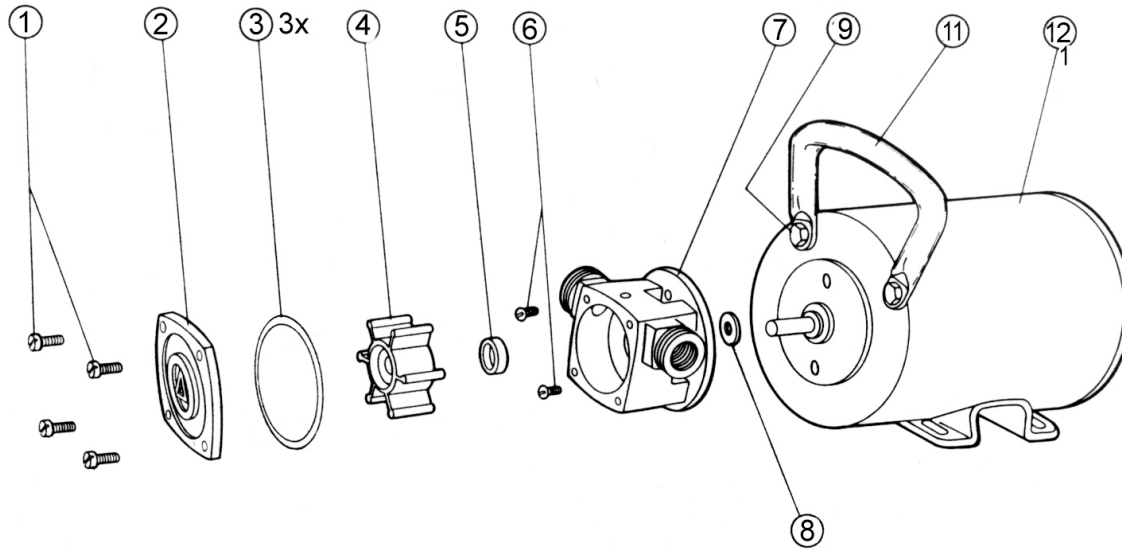
Liquids compatible with neoprene can be pumped including fresh and salt water solutions. Do not pump severe solvents or acids. When possible, flush pump with fresh water after each usage. Extremes of cold and heat will affect impeller life. Limits of 40o to 180oF should be observed. Do not allow liquid in pump to freeze. Drain pump by loosening cover screws. Use methyl alcohol based anti-freeze compounds such as Zerex, Shell Zone, Pyro Permanent, Permaguard, and Dowgard.



## SUCTION LIFT

Suction lift to 15 ft. for model 211D is possible when impeller is wet. Suction lines must be air tight in order for pump to self prime. Always use foot valve at beginning of suction line to keep suction line full and impeller wet.

## EXPLODED VIEW AND PARTS LIST

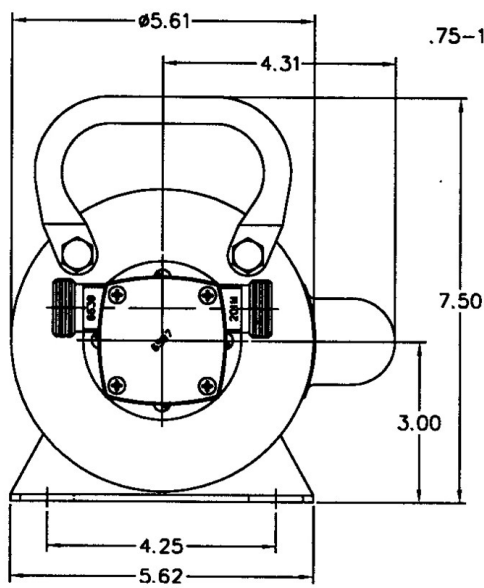


Pump No.	1	2	3 <sup>x</sup>	4 <sup>x</sup>	4a*#	5 <sup>x</sup>	6	7	8	9	10	11	12 <sup>#</sup>	13	14	Repair Kit <sup>1</sup>
	Screw	Cover	Gasket	Impeller	Impeller Bushing	Lip Seal	Screw	Body	Cam Screw	Cam	Slinger	Screw	Lock Washer	Handle	Motor	
	4 Reqd	1 Reqd	3 Reqd	1 Reqd	1 Reqd	1 Reqd	4 Reqd	1 Reqd	1 Reqd	1 Reqd	1 Reqd	2 Reqd	4 Reqd	1 Reqd	1 Reqd	
211D-04	5385	6597	7547	7482	N/A	6647	7424	6639	7300-41	6592	6757	---	---	---	---	10933
211D-04D28	5385	6597	7547	7482	N/A	6647	7424	6639	7300-41	6592	6757	5411	5656	7766	8278-01	10933
211D-05D28	5385	6597	7547	8514	7487	6647	7424	6639	7300-41	6592	6757	5411	5656	7766	8278-01	12221

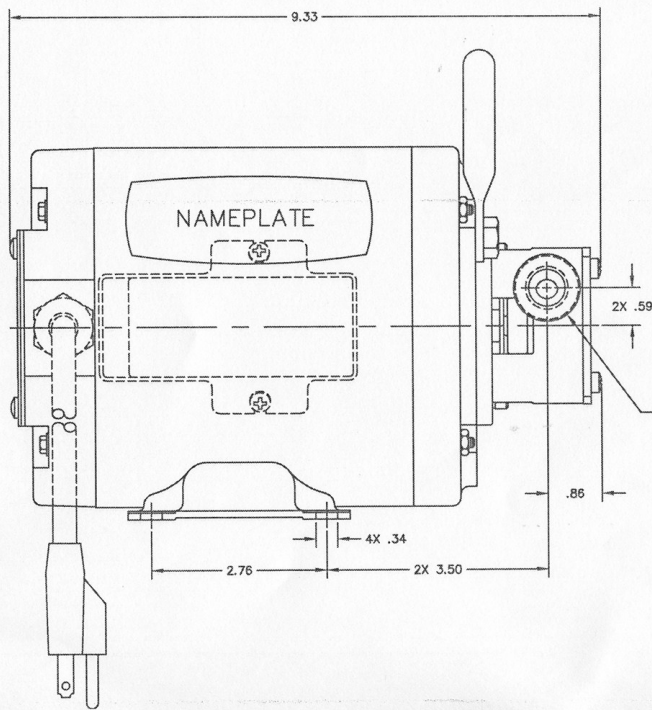
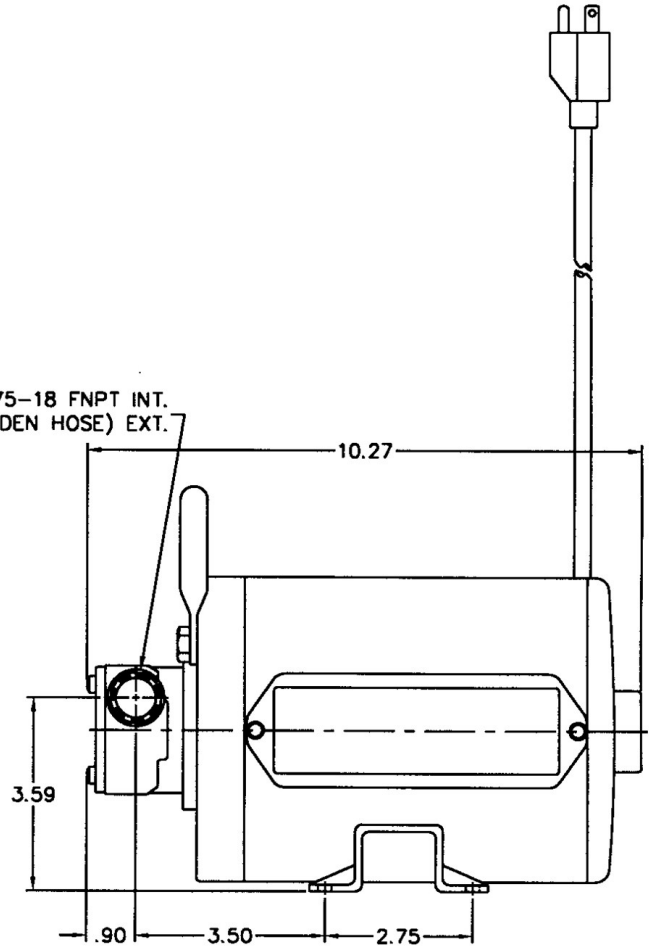
\* Repair Kit contains items 3, 4, 4a and 5.

<sup>#</sup> Items 4a and 12 not shown in illustration.

# DIMENSIONS



2X .375-18 FNPT INT.  
.75-11.5 NPT (GARDEN HOSE) EXT.



2X .375-18 FNPT INT. &  
2X .750-11.5 STD. EXT.  
GARDEN HOSE THREAD

