

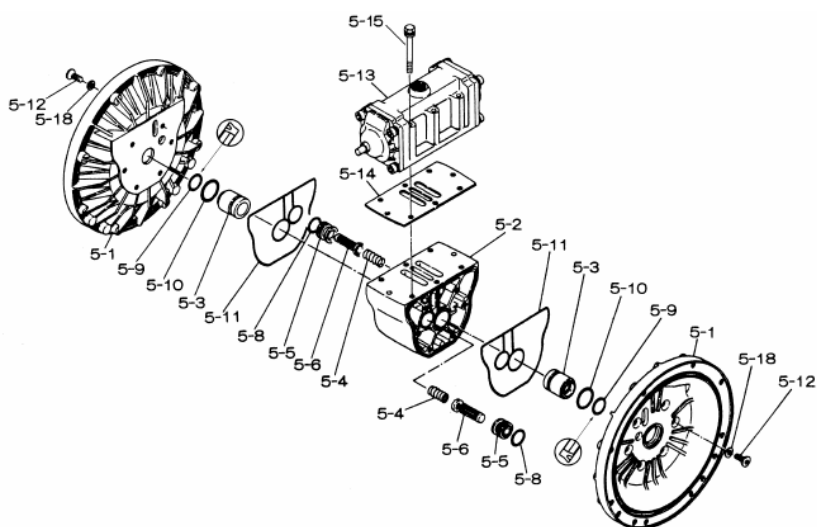
Yamada America, Inc.  
955 East Algonquin Rd  
Arlington Heights, IL 60005  
Phone: 847.631.9200  
Fax: 847.631.9273  
www.yamadapump.com

Model: NDP-80BAN  
Part # 852238



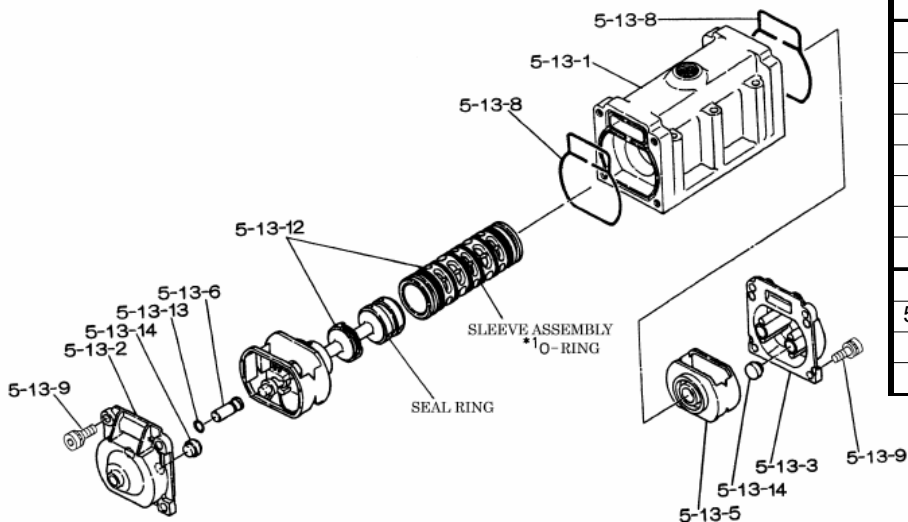
| Reference |                    |      |          |
|-----------|--------------------|------|----------|
| No.       | Description        | Q'ty | Part No. |
| 1         | Out Chamber        | 2    | 580962   |
| 2         | In Manifold        | 1    | 714371   |
| 3         | Out Manifold       | 1    | 714365   |
| 5         | Body Assembly      | 1    | 803113   |
| 7         | Center Rod         | 1    | 711901   |
| 8         | Center Disk        | 2    | 711906   |
| 10        | Diaphragm          | 2    | 771704   |
| 11        | Valve Seat         | 4    | 771996   |
| 12        | Ball               | 4    | 770587   |
| 14        | Ball Valve         | 1    | 684322   |
| 15        | Elbow              | 1    | 682523   |
| 19        | Pump Base          | 2    | 711912   |
| 20        | Cushion            | 4    | 771402   |
| 21        | Nut                | 2    | 683408   |
| 22        | Coned Disk Spring  | 2    | 682740   |
| 23        | Bolt               | 20   | 686163   |
| 23a       | Washer             | 20   | 631917   |
| 24        | Plain Washer       | 4    | 631014   |
| 25        | Washer             | 4    | 631917   |
| 26        | Bolt               | 16   | 611204   |
| 27        | Plain Washer       | 16   | 631015   |
| 28        | Spring Lock Washer | 16   | 631918   |
| 29        | Nut                | 16   | 627014   |
| 33        | Bolt               | 4    | 611177   |
| 34        | Nut                | 4    | 627013   |
| 35        | Bolt               | 4    | 611149   |
| 36        | Nut with Flange    | 4    | 682276   |
| 40        | O-ring             | 4    | 640078   |
| 42        | Bolt               | 4    | 686164   |
| 42a       | Washer             | 4    | 631917   |

| Repair Kits   |                      |    |        |
|---|----------------------|----|--------|
| <b>K80-MN Liquid Side Kit includes the following:</b> |                      |    |        |
| 10  | Diaphragm            | 2  | 771704 |
| 11  | Valve Seat           | 4  | 771996 |
| 40  | O-ring               | 4  | 640078 |
| 12  | Ball                 | 4  | 770587 |
| <b>K80-AM Air Side Kit includes the following:</b>    |                      |    |        |
| 5-3   | Throat Bearing       | 2  | 772689 |
| 5-4   | Spring               | 2  | 711937 |
| 5-5   | Valve Seat           | 2  | 771740 |
| 5-6   | Pilot Valve Assembly | 2  | 832163 |
| 5-8   | O-ring               | 7  | 640020 |
| 5-9   | Packing              | 2  | 685444 |
| 5-10  | O-ring               | 2  | 640029 |
| 5-11  | Gasket               | 2  | 771742 |
| 5-14  | Gasket               | 1  | 771712 |
| 5-13-8  | Gasket               | 2  | 771738 |
| 5-13-12 Seal  | Seal Ring            | 15 | 771732 |
| 5-13-12 Sleeve  | Sleeve Assembly      | 1  | 803675 |

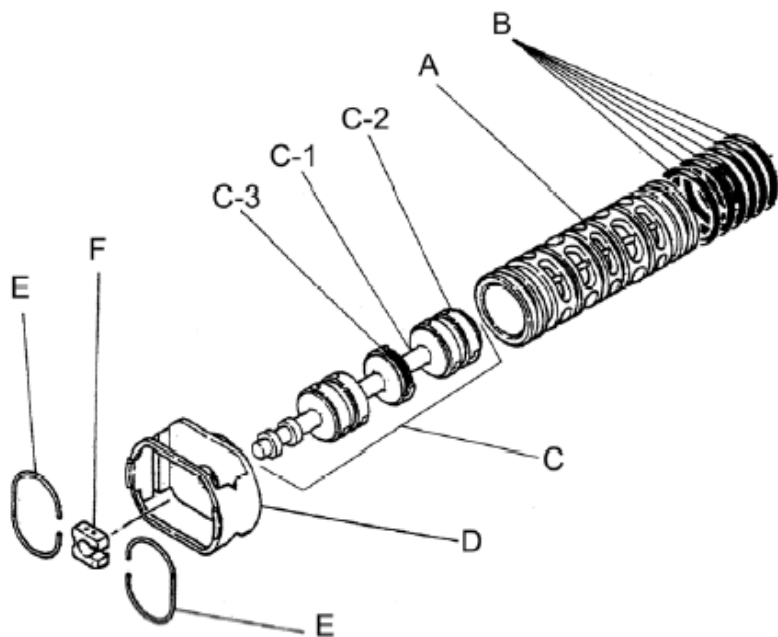


| Body Assembly 803113 |                      |             |        |          |
|----------------------|----------------------|-------------|--------|----------|
| Reference            | No.                  | Description | Q'ty   | Part No. |
| 5-1                  | Air Chamber          | 2           | 711935 |          |
| 5-2                  | Body                 | 1           | 711936 |          |
| 5-3                  | Throat Bearing       | 2           | 772689 |          |
| 5-4                  | Spring               | 2           | 711937 |          |
| 5-5                  | Valve Seat           | 2           | 771740 |          |
| 5-6                  | Pilot Valve Assembly | 2           | 832163 |          |
| 5-8                  | O-ring               | 2           | 640020 |          |
| 5-9                  | Packing              | 2           | 685444 |          |
| 5-10                 | O-ring               | 2           | 640029 |          |
| 5-11                 | Gasket               | 2           | 771742 |          |
| 5-12                 | Flat Head Bolt       | 12          | 683812 |          |
| 5-13                 | Valve Body Assembly  | 1           | 802971 |          |
| 5-14                 | Gasket               | 1           | 771712 |          |
| 5-15                 | Bolt                 | 6           | 684240 |          |
| 5-18                 | Plain Washer         | 12          | 684987 |          |

Yamada America, Inc.  
955 East Algonquin Rd  
Arlington Heights, IL 60005  
Phone: 847.631.9200  
Fax: 847.631.9273  
www.yamadapump.com



| 802971 Valve Body Assembly |                     |      |          |
|----------------------------|---------------------|------|----------|
| Reference                  |                     |      |          |
| No.                        | Description         | Q'ty | Part No. |
| 5-13-1                     | Valve Body          | 1    | 711931   |
| 5-13-2                     | Cap A               | 1    | 580999   |
| 5-13-3                     | Cap B               | 1    | 581000   |
| 5-13-5                     | Spring Stopper      | 1    | 771735   |
| 5-13-6                     | Reset Button        | 1    | 712976   |
| 5-13-8                     | Gasket              | 2    | 771738   |
| 5-13-9                     | Bolt                | 8    | 685036   |
| 5-13-12                    | C Spool Valve Assy. | 1    | 803115   |
| 5-13-12 Seal               | Seal Ring           | 15   | 771732   |
| 5-13-12 Sleeve             | Sleeve Assembly     | 1    | 803675   |
| 5-13-13                    | O-ring              | 1    | 640005   |
| 5-13-14                    | Cushion             | 4    | 684128   |



| 803115 Air Valve Assembly (5-13-12) |                 |      |          |
|-------------------------------------|-----------------|------|----------|
| Reference                           |                 |      |          |
| No.                                 | Description     | Q'ty | Part No. |
| A                                   | Sleeve          | 1    | 803675   |
| B                                   | O-ring          | 6    | 640036   |
| C                                   | Spool Assembly  | 1    | 803114   |
| C-1                                 | Spool           | 1    | 771733   |
| C-2                                 | Seal Ring       | 15   | 771732   |
| C-3                                 | O-ring          | 5    | 640020   |
| D                                   | Spring Retainer | 1    | 771735   |
| E                                   | C-Spring        | 2    | 711932   |
| F                                   | Block           | 1    | 771734   |

Yamada America, Inc.  
955 East Algonquin Rd  
Arlington Heights, IL 60005  
Phone: 847.631.9200  
Fax: 847.631.9273  
www.yamadapump.com