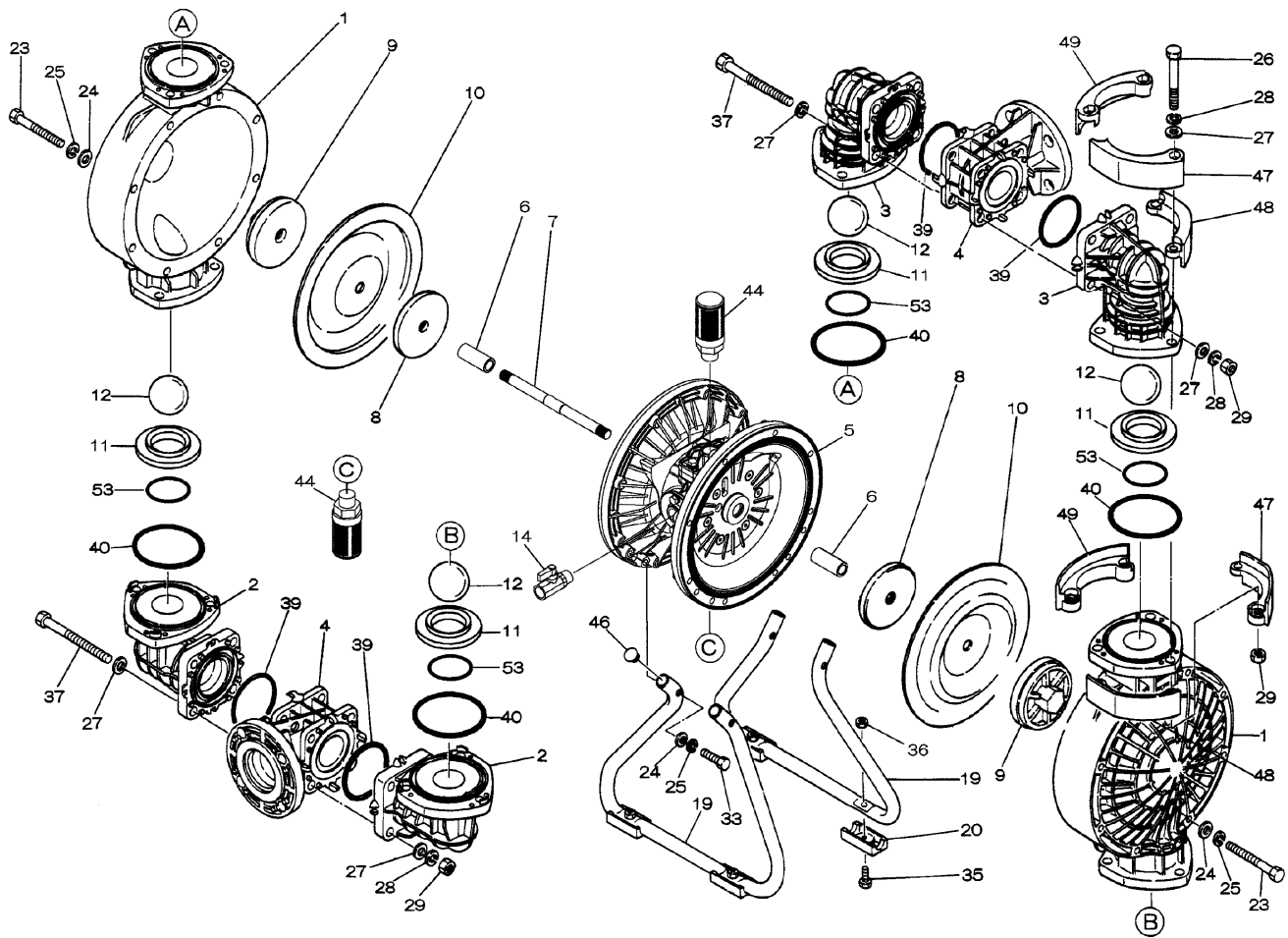
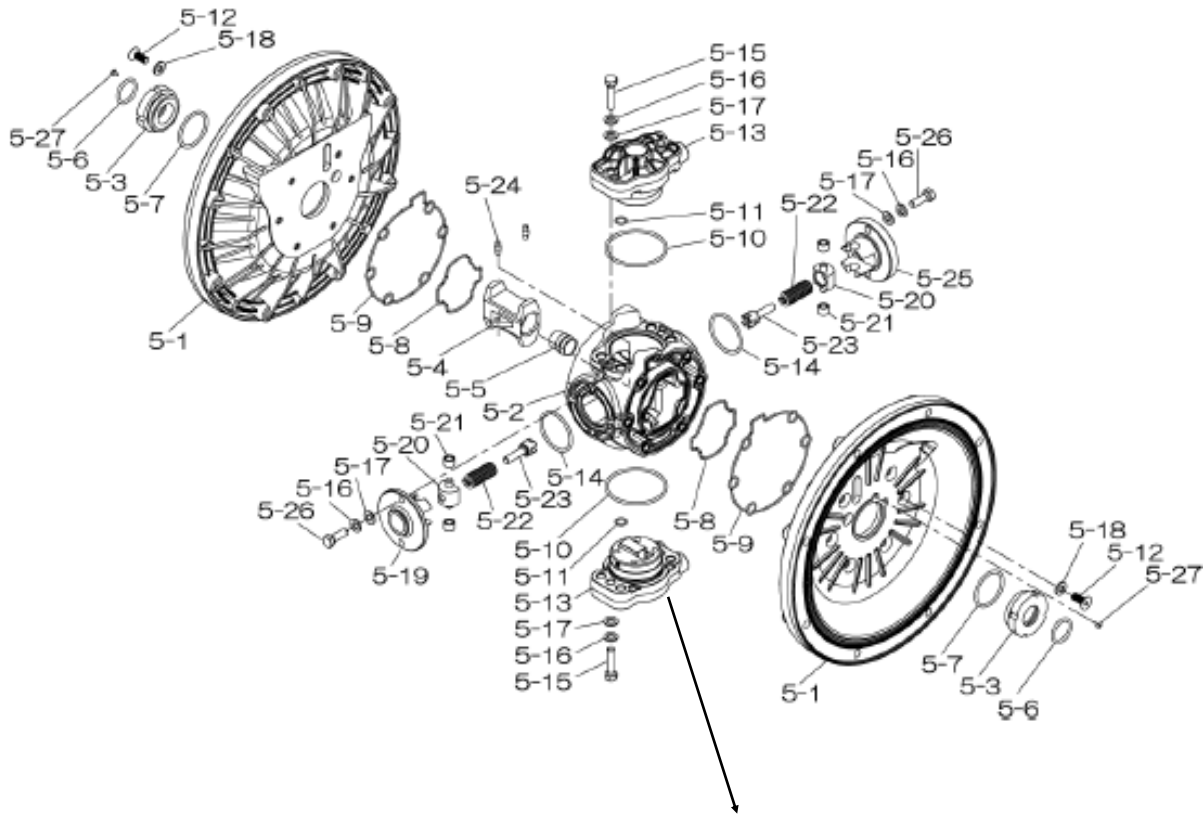


Air Operated Double Diaphragm Pump

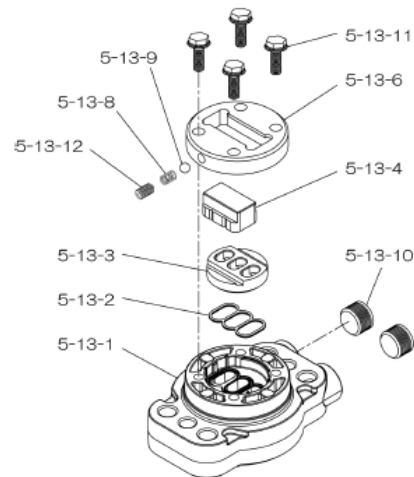


Air Operated Double Diaphragm Pump

804778 Center Body Assembly



804784 Valve Body Assembly



Air Operated Double Diaphragm Pump

	DP-50BPC-HD	DP-50BPN-HD	DP-50BPE-HD	DP-50BPV-HD	DP-50BPH-HD	DP-50BPS-HD			
XDP	854466	854467	854468	854469	854471	854472			
REF. NO.	PART NO.	PART NO.	PART NO.	PART NO.	PART NO.	PART NO.	DESCRIPTION	QTY.	REORDER
1	780148	780148	780148	780148	780148	780148	OUT CHAMBER	2	
2	780245	780245	780245	780245	780245	780245	IN MANIFOLD	2	
3	780151	780151	780151	780151	780151	780151	OUT MANIFOLD	2	
4	804778	804778	804778	804778	804778	804778	CENTER MANIFOLD	2	
5	716247	716247	716247	716247	716247	716247	CENTER BODY ASSY	1	
5-1	716247	716247	716247	716247	716247	716247	AIR CHAMBER	2	
5-2	716256	716256	716256	716256	716256	716256	BODY	1	
5-3	773048	773048	773048	773048	773048	773048	THROAT BEARING	2	
5-4	716214	716214	716214	716214	716214	716214	SHUTTLE	1	
5-5	773047	773047	773047	773047	773047	773047	CENTER ROD GUIDE	1	
5-6	640023	640023	640023	640023	640023	640023	O RING	2	
5-7	640133	640133	640133	640133	640133	640133	O RING	2	
5-8	773040	773040	773040	773040	773040	773040	GASKET	2	
5-9	773041	773041	773041	773041	773041	773041	GASKET	2	
5-10	640138	640138	640138	640138	640138	640138	O RING	2	
5-11	640007	640007	640007	640007	640007	640007	O RING	8	
5-12	683812	683812	683812	683812	683812	683812	FLAT SOCKET	12	
5-13	804784	804784	804784	804784	804784	804784	VALVE BODY ASSY	2	
5-13-1	716244	716244	716244	716244	716244	716244	VALVE BODY	1	
5-13-2	773042	773042	773042	773042	773042	773042	GASKET	1	
5-13-3	716246	716246	716246	716246	716246	716246	SEAT	1	
5-13-4	773425	773425	773425	773425	773425	773425	BLOCK	1	
5-13-6	773426	773426	773426	773426	773426	773426	GUIDE PLATE	1	
5-13-8	706612	706612	706612	706612	706612	706612	SPRING	1	
5-13-9	686271	686271	686271	686271	686271	686271	BALL	1	
5-13-10	772934	772934	772934	772934	772934	772934	PLUG	2	
5-13-11	602300	602300	602300	602300	602300	602300	TAPPING BOLT	4	
5-13-12	610025	610025	610025	610025	610025	610025	HEX. SOCKET HEAD SCREW	1	
5-14	640134	640134	640134	640134	640134	640134	O RING	2	
5-15	611153	611153	611153	611153	611153	611153	BOLT	4	
5-16	631420	631420	631420	631420	631420	631420	SPRING WASHER	8	
5-17	631013	631013	631013	631013	631013	631013	WASHER FLAT	8	
5-18	684987	684987	684987	684987	684987	684987	WASHER	12	
5-19	716249	716249	716249	716249	716249	716249	RETAINER	1	
5-20	713620	713620	713620	713620	713620	713620	SPRING GUIDE	2	
5-21	773067	773067	773067	773067	773067	773067	BUSH	4	
5-22	684537	684537	684537	684537	684537	684537	SPRING	2	
5-23	714446	714446	714446	714446	714446	714446	TRIP ARM	2	
5-24	700231	700231	700231	700231	700231	700231	PIN	2	
5-25	716216	716216	716216	716216	716216	716216	RETAINER	1	
5-26	611149	611149	611149	611149	611149	611149	BOLT	4	
5-27	686337	686337	686337	686337	686337	686337	TAPPING SCREW	2	
6	716219	716219	716219	716219	716219	716219	CENTER BUSH	2	
7	716218	716218	716218	716218	716218	716218	CENTER ROD	1	
8	711904	711904	711904	711904	711904	711904	CENTER DISK	2	
9	771727	771727	771727	771727	771727	771727	CENTER DISK	2	
10	771855	771702	771856	771800	771703	771976	DIAPHRAGM	2	
11	772097	772097	772097	772097	772097	772097	VALVE SEAT	4	
12	770627	770630	770633	770636	773143	773173	BALL	4	
14	686974	686974	686974	686974	686974	686974	BALL VALVE	1	
19	711926	711926	711926	711926	711926	711926	STAND	2	
20	771865	771865	771865	771865	771865	771865	FOOT RUBBER	4	
23	686156	686156	686156	686156	686156	686156	BOLT	16	
24	631330	631330	631330	631330	631330	631330	WASHER FLAT	24	
25	680257	680257	680257	680257	680257	680257	SPRING WASHER	24	

Air Operated Double Diaphragm Pump

	DP-50BPC-HD	DP-50BPN-HD	DP-50BPE-HD	DP-50BPV-HD	DP-50BPH-HD	DP-50BPS-HD			
XDP	854466	854467	854468	854469	854471	854472			
REF. NO.	PART NO.	PART NO.	PART NO.	PART NO.	PART NO.	PART NO.	DESCRIPTION	QTY.	REORDER
26	621213	621213	621213	621213	621213	621213	BOLT		
27	631331	631331	631331	631331	631331	631331	WASHER		
28	680607	680607	680607	680607	680607	680607	SPRING WASHER		
29	628014	628014	628014	628014	628014	628014	NUT		
33	621179	621179	621179	621179	621179	621179	BOLT		
35	621149	621149	621149	621149	621149	621149	BOLT		
36	683837	683837	683837	683837	683837	683837	NUT W/ FLANGE		
37	684592	684592	684592	684592	684592	684592	BOLT		
39	640064	640064	640064	640064	640064	640064	O RING		
40	640069	640069	684122	642069	640069	684122	O RING		
44	804697	804697	804697	804697	804697	804697	MUFFLER		
46	683641	683641	683641	683641	683641	683641	CAP		
47	771786	771786	771786	771786	771786	771786	PROTECTOR A		
48	771787	771787	771787	771787	771787	771787	PROTECTOR B		
49	771788	771788	771788	771788	771788	771788	PROTECTOR C		
53	640139	640139	685448	642139	640139	685448	O RING		
KIT	K50-PC	K50-PN	K50-PE	K50-PV	K50-PH	K50-PS	LIQUID SIDE KIT		
KIT	K45-AM-DP-HD						AIR MOTOR KIT		

General Tools:

- Socket wrench - 13mm, 17mm, 24mm
- Hexagonal box wrench - 5mm, 6mm
- Small crowbars - 2 (B_C, B_N, B_E, B_V)
- Phillips head screw driver

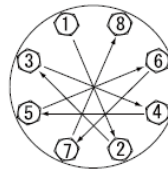
Special Tools:

- PP Wrench (771868) for removing the center disk
- Socket (804129) for a guide to remove the throat bearing (sold separately)

Miscellaneous:

- Assembly Oil - Turbine oil none additional class 1 (equivalent to ISO VG32 grade)
- Nuts - M16 x 1.5
- Thread locker
- Urea grease grade (NLGI) No. 2, Shell Alvania Grease S1

Torque Requirements:



Tightening torque for center rod and out chambers.

- Center Rod 36 ft-lbf {50 N-m}
- Out Chambers 26 ft-lbf {35 N-m}

Tightening torque for manifold retainer bolts.

- BPC/E/N/H/V/S 18 ft-lbf {25 N-m}

Customer Notes

Model #: _____
 Description: _____
 Serial #: _____
 Date Installed: _____
 Department Location: _____
 Tag/Project: _____