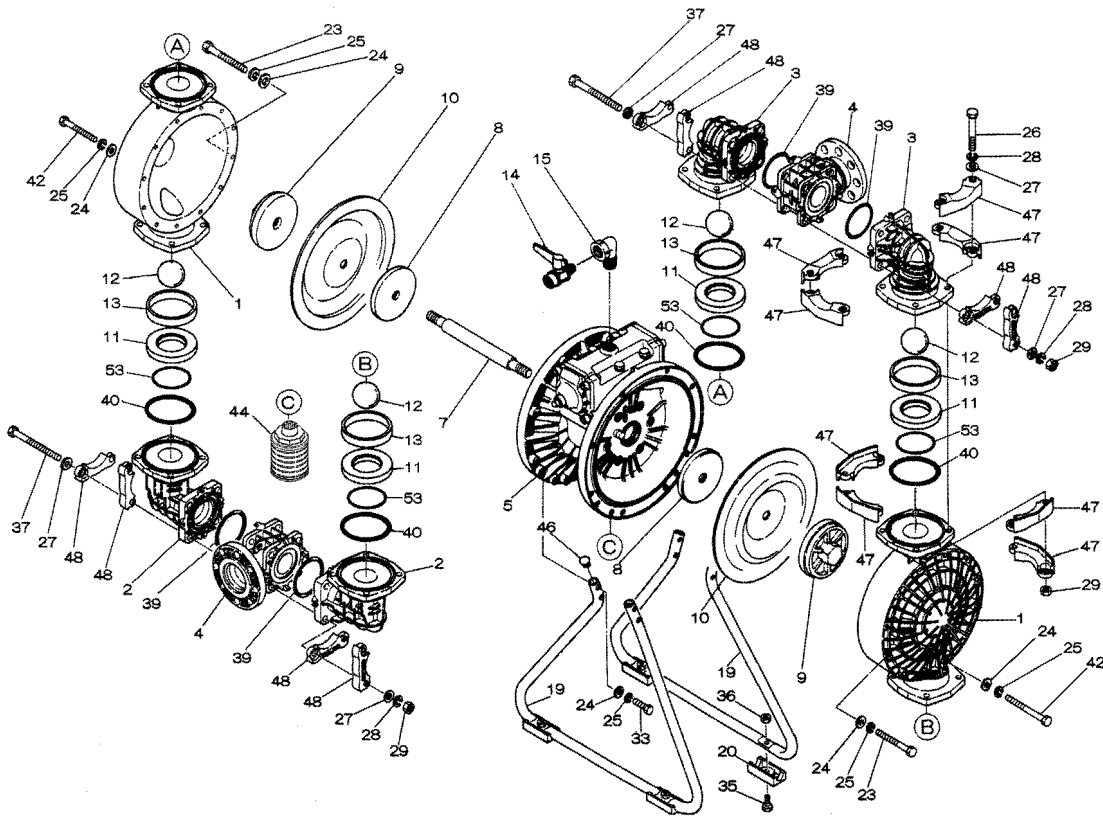


Air Operated Double Diaphragm Pump

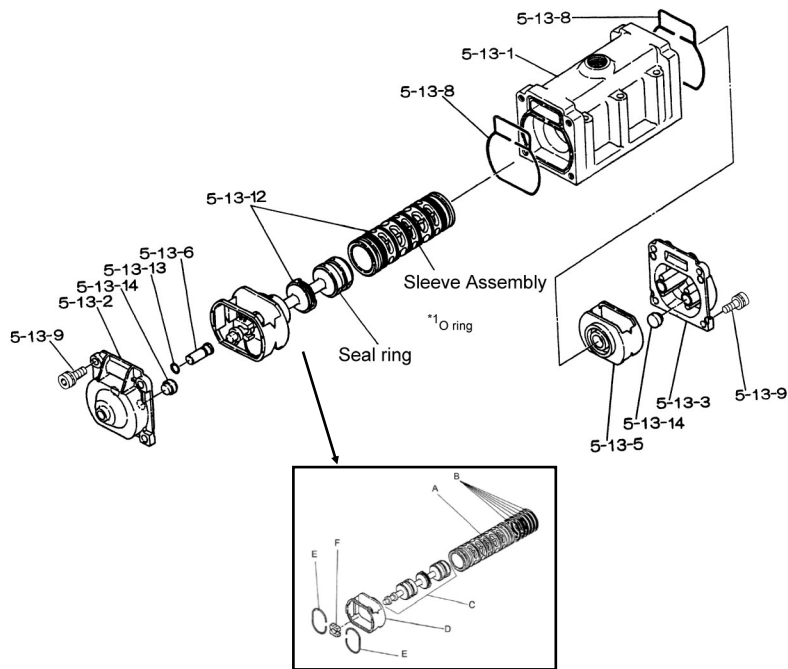


Air Operated Double Diaphragm Pump

■Body Assembly



■Valve Body Assembly

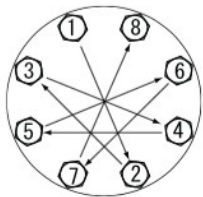


## Air Operated Double Diaphragm Pump

	NDP-80BPC	NDP-80BPN	NDP-80BPE	NDP-80BPH	NDP-80BPS	NDP-80BPV			
	852433	852244	852434	852245	852727	852308			
REF. No.	PARTS No.	PARTS No.	PARTS No.	PARTS No.	PARTS No.	PARTS No.	DESCRIPTION	QTY.	REORDER
1	780149	780149	780149	780149	780149	780149	OUT CHAMBER	2	
2	780246	780246	780246	780246	780246	780246	IN MANIFOLD	2	
3	780152	780152	780152	780152	780152	780152	OUT MANIFOLD	2	
4	780250	780250	780250	780250	780250	780250	CENTER MANIFOLD	2	
5	803113	803113	803113	803113	803113	803113	CENTER BODY ASSY.	1	
5- 1	711935	711935	711935	711935	711935	711935	AIR CHAMBER	2	
5- 2	711936	711936	711936	711936	711936	711936	BODY	1	
5- 3	780325	780325	780325	780325	780325	780325	THROAT BEARING	2	
5- 4	711937	711937	711937	711937	711937	711937	PILOT VALVE SPRING	2	
5- 5	771740	771740	771740	771740	771740	771740	PILOT VALVE SEAT	2	
5- 6	832163	832163	832163	832163	832163	832163	PILOT VALVE ASSY.	2	
5- 8	640020	640020	640020	640020	640020	640020	O-RING	2	
5- 9	685444	685444	685444	685444	685444	685444	V-PACKING	2	
5-10	640029	640029	640029	640029	640029	640029	O-RING	2	
5-11	771742	771742	771742	771742	771742	771742	GASKET	2	
5-12	683812	683812	683812	683812	683812	683812	FLAT SOCKET	12	
5-13	802971	802971	802971	802971	802971	802971	VALVE BODY ASSY.	1	
5-13-1	711931	711931	711931	711931	711931	711931	VALVE BODY	1	
5-13-2	580999	580999	580999	580999	580999	580999	CAP A	1	
5-13-3	581000	581000	581000	581000	581000	581000	CAP B	1	
5-13-5	771735	771735	771735	771735	771735	771735	SPRING RETAINER	1	
5-13-6	712976	712976	712976	712976	712976	712976	RESET BUTTON	1	
5-13-8	771738	771738	771738	771738	771738	771738	GASKET	2	
5-13-9	685036	685036	685036	685036	685036	685036	SOCKET BOLT	8	
5-13-12	805084	805084	805084	805084	805084	805084	C-SPOOL ASSY	1	
A	803675	803675	803675	803675	803675	803675	SLEEVE ASSY	1	
B	640036	640036	640036	640036	640036	640036	O-RING	6	
C	805085	805085	805085	805085	805085	805085	SPOOL ASSY	1	
D	771735	771735	771735	771735	771735	771735	SPRING RETAINER	1	
E	711932	711932	711932	711932	711932	711932	C-SPRING	2	
F	771734	771734	771734	771734	771734	771734	BLOCK	1	
5-13-13	640005	640005	640005	640005	640005	640005	O-RING	1	
5-13-14	684128	684128	684128	684128	684128	684128	CUSHION	4	
5-14	771712	771712	771712	771712	771712	771712	GASKET	1	
5-15	684240	684240	684240	684240	684240	684240	BOLT W/WASHERS	6	
5-18	684987	684987	684987	684987	684987	684987	WASHER	12	
7	711901	711901	711901	711901	711901	711901	CENTER ROD	1	
8	711906	711906	711906	711906	711906	711906	CENTER DISK (INNER)	2	
9	780064	780064	780064	780064	780064	780064	CENTER DISK (OUTER)	2	
10	771857	771704	771858	771705	771977	771801	DIAPHRAGM	2	
11	772098	772098	772098	772098	772098	772098	VALVE SEAT	4	
12	770559	770587	770596	773144	773174	770605	BALL	4	
13	772099	772099	772099	772099	772099	772099	VALVE SPACER	4	
14	686974	686974	686974	686974	686974	686974	BALL VALVE	1	
15	682523	682523	682523	682523	682523	682523	ELBOW	1	
19	711927	711927	711927	711927	711927	711927	STAND	2	
20	771865	771865	771865	771865	771865	771865	FOOT RUBBER	4	
23	683543	683543	683543	683543	683543	683543	BOLT	20	

Air Operated Double Diaphragm Pump

	NDP-80BPC	NDP-80BPN	NDP-80BPE	NDP-80BPH	NDP-80BPS	NDP-80BPV			
	852433	852244	852434	852245	852727	852308			
REF. No.	PARTS No.	PARTS No.	PARTS No.	PARTS No.	PARTS No.	PARTS No.	DESCRIPTION	QTY.	REORDER
24	631330	631330	631330	631330	631330	631330	FLAT WASHER	32	
25	680257	680257	680257	680257	680257	680257	SPRING WASHER	32	
26	621214	621214	621214	621214	621214	621214	BOLT	16	
27	631331	631331	631331	631331	631331	631331	WASHER	32	
28	680607	680607	680607	680607	680607	680607	SPRING WASHER	24	
29	628014	628014	628014	628014	628014	628014	NUT	24	
33	621179	621179	621179	621179	621179	621179	BOLT	8	
35	621149	621149	621149	621149	621149	621149	BOLT	4	
36	683837	683837	683837	683837	683837	683837	NUT W/FLANGE	4	
37	683544	683544	683544	683544	683544	683544	BOLT	8	
39	640070	640070	684123	640070	684123	642070	O-RING	4	
40	640080	640080	684125	640080	684125	642080	O-RING	4	
42	683552	683552	683552	683552	683552	683552	BOLT	4	
44	804764	804764	804764	804764	804764	804764	SILENCER ASSY.	1	
46	683641	683641	683641	683641	683641	683641	CAP	4	
47	771789	771789	771789	771789	771789	771789	PROTECTOR A	32	
48	771790	771790	771790	771790	771790	771790	PROTECTOR B	24	
53	640143	640143	685443	640143	685443	642143	O-RING	4	
KIT	K80-PC	K80-PN	K80-PE	K80-PH	K80-PS	K80-PV	LIQUID SIDE		
KIT	K80-AM						AIR MOTOR		



**Tightening torque for center rod and out chambers.**

Center Rod 36 ft-lbf {50 N-m}  
Out Chambers 26 ft-lbf {35 N-m}

**Tightening torque for manifold retainer bolts.**

BPC/E/H/N/S/V 18 ft-lbf {25 N-m}

**General Tools:**

- Socket wrenches - 13mm, 17mm, 19mm
- Hexagonal box wrench - 5mm, 6mm
- Small crowbars - 2 (C/N/E/V)
- Plastic hammer

**Special Tools:**

- Disk remover (771868). (sold separately)
- Sleeve remover (713180). (sold separately)

**Miscellaneous:**

- Assembly Oil - turbine oil none additional class 1 (equivalent to ISO VG32 grade)
- Nuts - M16 x 1.5
- Thread locker
- Urea grease grade (NLGI) No. 2

Customer Notes	
Model #:	_____
Description:	_____
Serial #:	_____
Date Installed:	_____
Department Location:	_____
Tag/Project:	_____