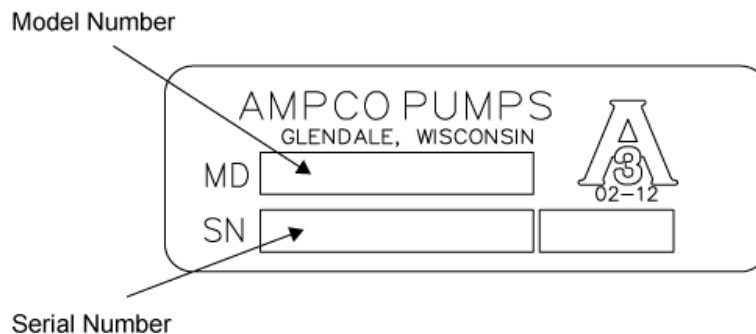


ELECTRONIC PRICING CATALOG NAVIGATION INSTRUCTIONS**Select by Pump Model:**

If you know what pump you are looking for, you can use the 'Bookmarks' tab on the left and select the pump model which you are trying to access. Clicking in the Bookmark will take you to the page you are looking for.

If there are no tabs on the left (bookmarks, signatures, layers, pages), you can use the top menu to make them appear. Goto VIEW > SHOW/HIDE > NAVIGATION PANES > BOOKMARKS and they will appear.

Sample Pump ID Tag: See the illustration below for help identifying the location of the Model number and Serial number on the pump ID tag.



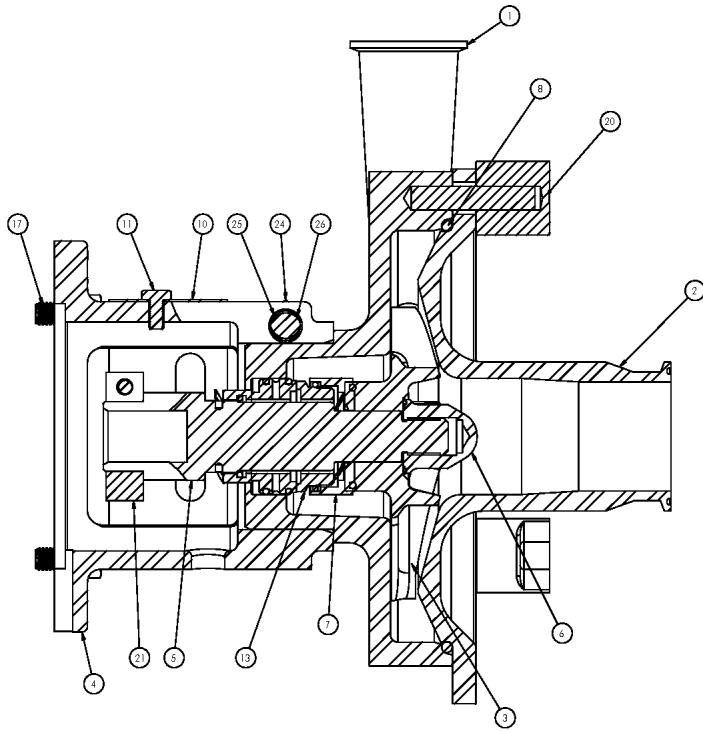
Please reference your serial number when ordering replacement parts.

Select by Part Number:

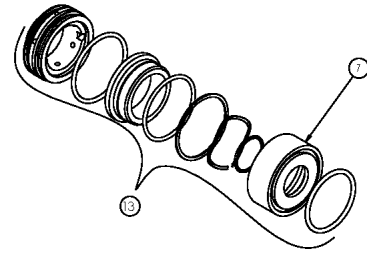
If you know an exact part number you are looking for, simply hit CONTROL+F and that will bring up the find feature. You may also use the menu, goto EDIT > FIND to bring up the same feature.

Type in your part number and it will show you all instances of that item in the catalog. If you only know some of the part number (i.e. SP328), that will also help and show all occurrences of those numbers together.

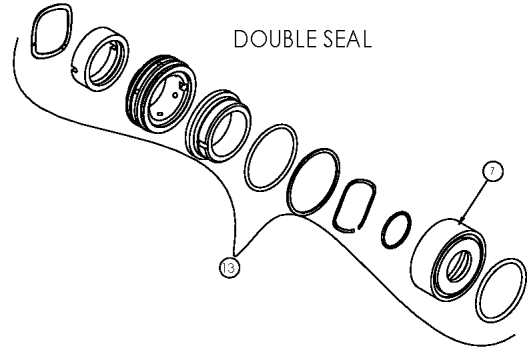
Be advised that partials of part number can return a large amount of results.



SINGLE SEAL



DOUBLE SEAL

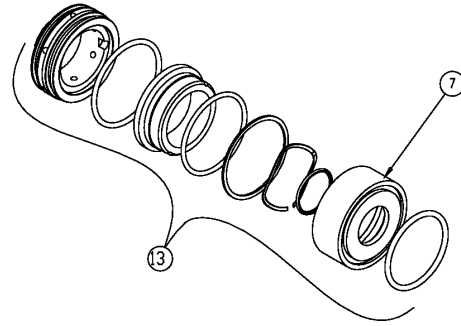


Exploded View

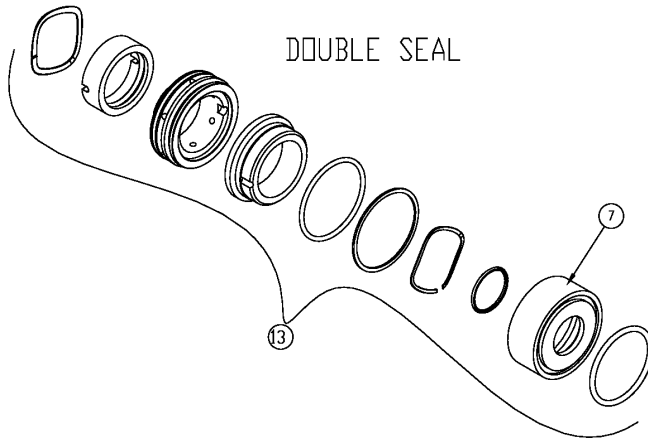
Optional Items Shown in ITALICS

Ref #	Component Item No.	Description	Qty Per
1	SV04610022	CASING,R00,1-1/2CLMP,56C-210TC LF SB	1
2	SC04620109	COVER,R00,1-1/2 CLAMP L SERIES	1
	<i>SC04620279</i>	<i>COVER,R00,2 CLAMP L SERIES</i>	1
3	SI04630000	IMPELLER,R00,99/22, 99 MAX LF	1
4	SX10600134	ADAPTER,56C-140TC FRAME LF 757 SEAL	1
5	SX20000000	STUBSHAFT,56C LF 757 SEAL	1
6	SI54000000	NUT,633,IMP,56C-210TC LC	1
7	SX11000037-ND	DRIVER,757,FRNT SEAL,NEW DESGN LF	1
8	GX80000331	GASKET,R00,CVR, BUNA LC	1
	<i>GX80000060</i>	<i>GASKET,R00,CVR,EPDM LC</i>	1
	<i>GX80000353</i>	<i>GASKET,R00,CVR,VIT LC</i>	1
10	SX10614087	GUARD,SHAFT,56C-140TC,ADPT +BOLT LC	1
11	GX48104020	CAPSCRW,HX,1/4-28X3/8,18-8SS HX HD	1
12	SX15000002	KEY,56-280TSC LC	1
13	GS02600651-ND	KIT,757,SGL SEAL,N/C/V,NEW DESIGN	1
	<i>GS02600639-ND</i>	<i>KIT,757,SGL SEAL,C/C/V,NEW DESIGN</i>	1
	<i>GS02600775-ND</i>	<i>KIT,757,DBL SEAL,N/C/NV,NEW DESIGN</i>	1
	<i>GS02600640-ND</i>	<i>KIT,757,DBL SEAL,C/C/NV,NEW DESIGN</i>	1
17	GX5077100	CAPSCRW,HX,3/8-16X1,18-8SS HX HD	4
20	SX03000020	NUT,WING LC SERIES	2
21	SX18000013	COLLAR,56C/140TC,SHAFT L SEE ITEM NOTES	1
24	GX10610105	NUT,HEX,1/2-13,18-8SS L SERIES	1
25	GX10610100	CAPSCRW,HX,1/2-13X3-1/2,18-8SS HX HD	1
26	GX10610405	WASHER,LCK,1/2,18-8SS L SERIES	1

SINGLE SEAL



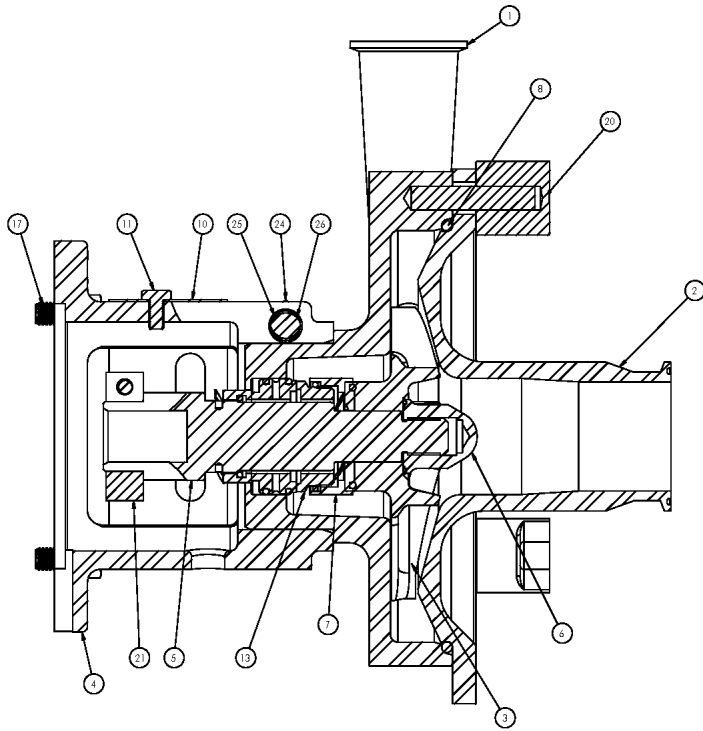
DOUBLE SEAL



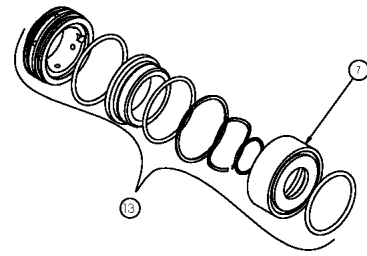
Exploded View - Seal Only

Optional Items Shown in ITALICS

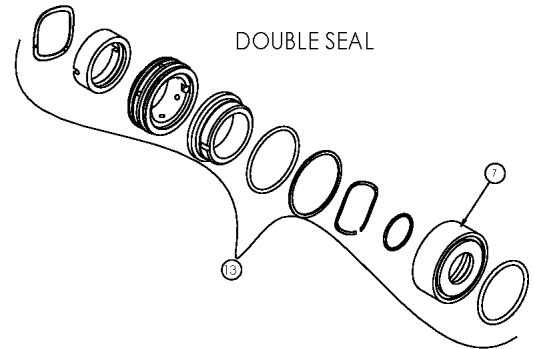
Ref #	Component Item No.	Description	Qty Per
7	SX11000037-ND	DRIVER,757,FRNT SEAL,NEW DESGN LF	1
13	GS02600651-ND	KIT,757,SGL SEAL,N/C/V,NEW DESIGN	1
	<i>GS02600639-ND</i>	<i>KIT,757,SGL SEAL,C/C/V,NEW DESIGN</i>	<i>1</i>
	<i>GS02600775-ND</i>	<i>KIT,757,DBL SEAL,N/C/N/V,NEW DESIGN</i>	<i>1</i>
	<i>GS02600640-ND</i>	<i>KIT,757,DBL SEAL,C/C/N/V,NEW DESIGN</i>	<i>1</i>



SINGLE SEAL



DOUBLE SEAL

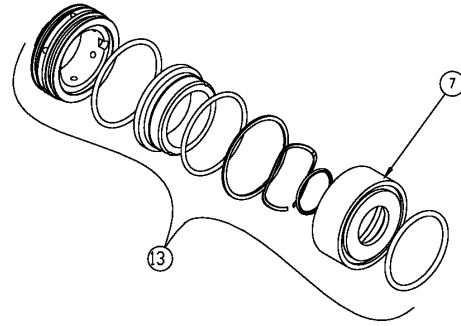


Exploded View

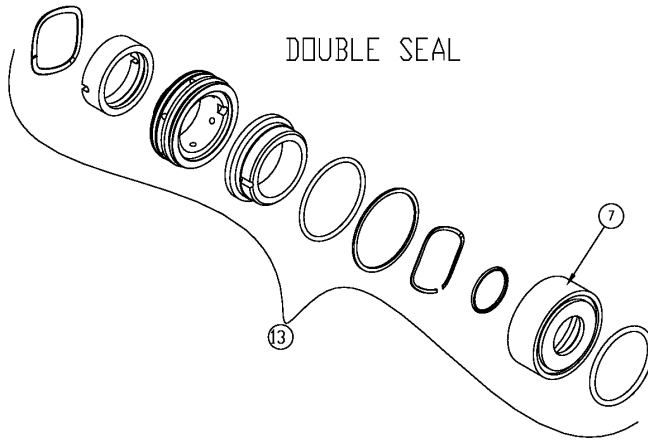
Optional Items Shown in ITALICS

Ref #	Component Item No.	Description	Qty Per
1	SV04610022	CASING,R00,1-1/2CLMP,56C-210TC LF SB	1
2	SC04620109	COVER,R00,1-1/2 CLAMP L SERIES	1
	<i>SC04620279</i>	<i>COVER,R00,2 CLAMP L SERIES</i>	1
3	SI04630000	IMPELLER,R00,99/22, 99 MAX LF	1
4	SX10600134	ADAPTER,56C-140TC FRAME LF 757 SEAL	1
5	SX20000001	STUBSHAFT,140TC LF 757 SEAL	1
6	SI54000000	NUT,633,IMP,56C-210TC LC	1
7	SX11000037-ND	DRIVER,757,FRNT SEAL,NEW DESGN LF	1
8	GX80000331	GASKET,R00,CVR, BUNA LC	1
	<i>GX80000060</i>	<i>GASKET,R00,CVR,EPDM LC</i>	1
	<i>GX80000353</i>	<i>GASKET,R00,CVR,VIT LC</i>	1
10	SX10614087	GUARD,SHAFT,56C-140TC,ADPT +BOLT LC	1
11	GX48104020	CAPSCRW,HX,1/4-28X3/8,18-8SS HX HD	1
12	SX15000002	KEY,56-280TSC LC	1
13	GS02600651-ND	KIT,757,SGL SEAL,N/C/V,NEW DESIGN	1
	<i>GS02600639-ND</i>	<i>KIT,757,SGL SEAL,C/C/V,NEW DESIGN</i>	1
	<i>GS02600775-ND</i>	<i>KIT,757,DBL SEAL,N/C/NV,NEW DESIGN</i>	1
	<i>GS02600640-ND</i>	<i>KIT,757,DBL SEAL,C/C/NV,NEW DESIGN</i>	1
17	GX5077100	CAPSCRW,HX,3/8-16X1,18-8SS HX HD	4
20	SX03000020	NUT,WING LC SERIES	2
21	SX18000013	COLLAR,56C/140TC,SHAFT L SEE ITEM NOTES	1
24	GX10610105	NUT,HEX,1/2-13,18-8SS L SERIES	1
25	GX10610100	CAPSCRW,HX,1/2-13X3-1/2,18-8SS HX HD	1
26	GX10610405	WASHER,LCK,1/2,18-8SS L SERIES	1

SINGLE SEAL



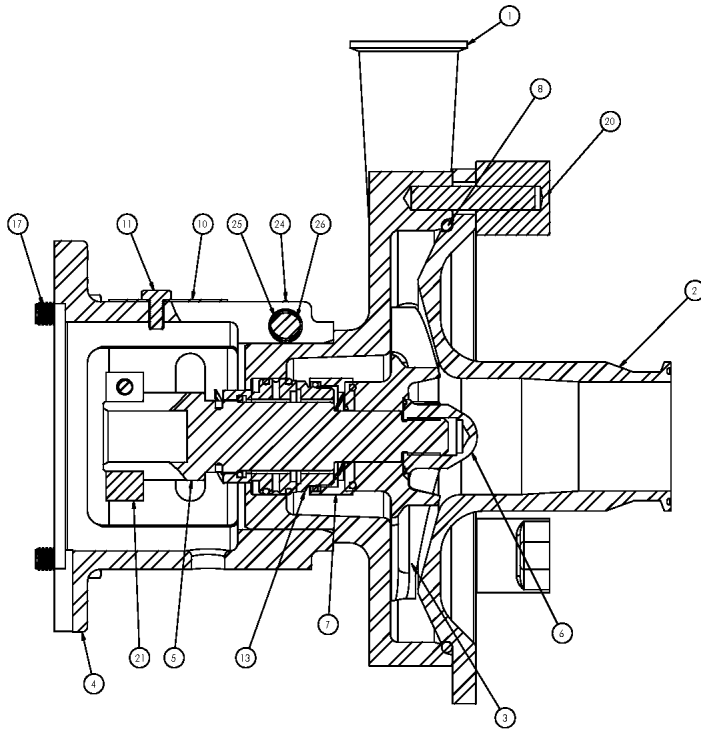
DOUBLE SEAL



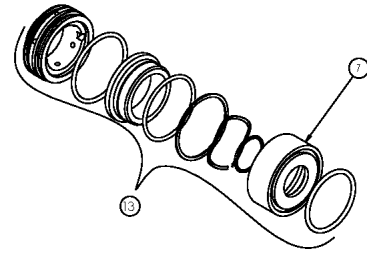
Exploded View - Seal Only

Optional Items Shown in ITALICS

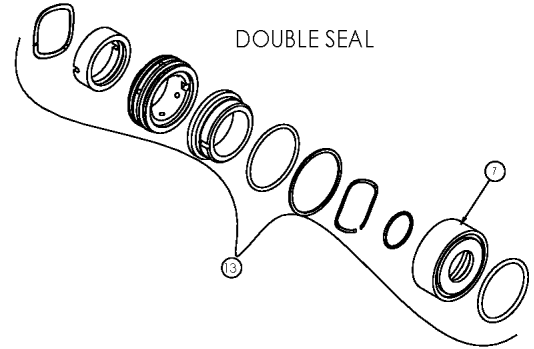
Ref #	Component Item No.	Description	Qty Per
7	SX11000037-ND	DRIVER,757,FRNT SEAL,NEW DESGN LF	1
13	GS02600651-ND	KIT,757,SGL SEAL,N/C/V,NEW DESIGN	1
	<i>GS02600639-ND</i>	<i>KIT,757,SGL SEAL,C/C/V,NEW DESIGN</i>	1
	<i>GS02600775-ND</i>	<i>KIT,757,DBL SEAL,N/C/N/V,NEW DESIGN</i>	1
	<i>GS02600640-ND</i>	<i>KIT,757,DBL SEAL,C/C/N/V,NEW DESIGN</i>	1



SINGLE SEAL



DOUBLE SEAL

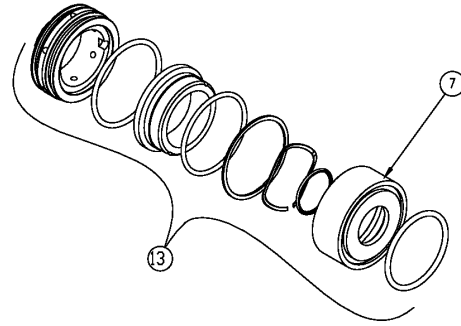


Exploded View

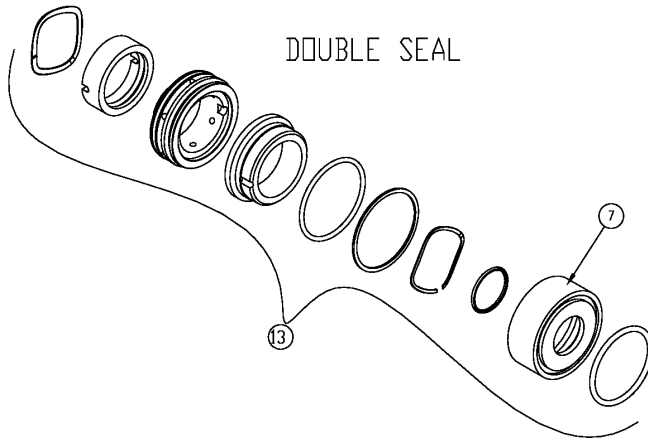
Optional Items Shown in ITALICS

Ref #	Component Item No.	Description	Qty Per
1	SV04610022	CASING,R00,1-1/2CLMP,56C-210TC LF SB	1
2	SC04620109	COVER,R00,1-1/2 CLAMP L SERIES	1
	<i>SC04620279</i>	<i>COVER,R00,2 CLAMP L SERIES</i>	1
3	SI04630000	IMPELLER,R00,99/22, 99 MAX LF	1
4	SX10600133	ADAPTER,180-250TC FRAME LF 757 SEAL	1
5	SX20000002	STUBSHAFT,180TC LF 757 SEAL	1
6	SI54000000	NUT,633,IMP,56C-210TC LC	1
7	SX11000037-ND	DRIVER,757,FRNT SEAL,NEW DESGN LF	1
8	GX80000331	GASKET,R00,CVR, BUNA LC	1
	<i>GX80000060</i>	<i>GASKET,R00,CVR,EPDM LC</i>	1
	<i>GX80000353</i>	<i>GASKET,R00,CVR,VIT LC</i>	1
10	SX10625088	GUARD,SHAFT,250TC ADPTR LC	1
11	GX48104020	CAPSCRW,HX,1/4-28X3/8,18-8SS HX HD	1
12	SX15000002	KEY,56-280TSC LC	1
13	GS02600651-ND	KIT,757,SGL SEAL,N/C/V,NEW DESIGN	1
	<i>GS02600639-ND</i>	<i>KIT,757,SGL SEAL,C/C/V,NEW DESIGN</i>	1
	<i>GS02600775-ND</i>	<i>KIT,757,DBL SEAL,N/C/NV,NEW DESIGN</i>	1
	<i>GS02600640-ND</i>	<i>KIT,757,DBL SEAL,C/C/NV,NEW DESIGN</i>	1
17	SC1710H-SS	CAPSCRW,HX,1/2-13X1,18-8SS HX HD	4
20	SX03000020	NUT,WING LC SERIES	2
21	SX18000014	COLLAR,180TC,SHAFT LC	1
24	GX10610105	NUT,HEX,1/2-13,18-8SS L SERIES	1
25	GX10610100	CAPSCRW,HX,1/2-13X3-1/2,18-8SS HX HD	1
26	GX10610405	WASHER,LCK,1/2,18-8SS L SERIES	1

SINGLE SEAL



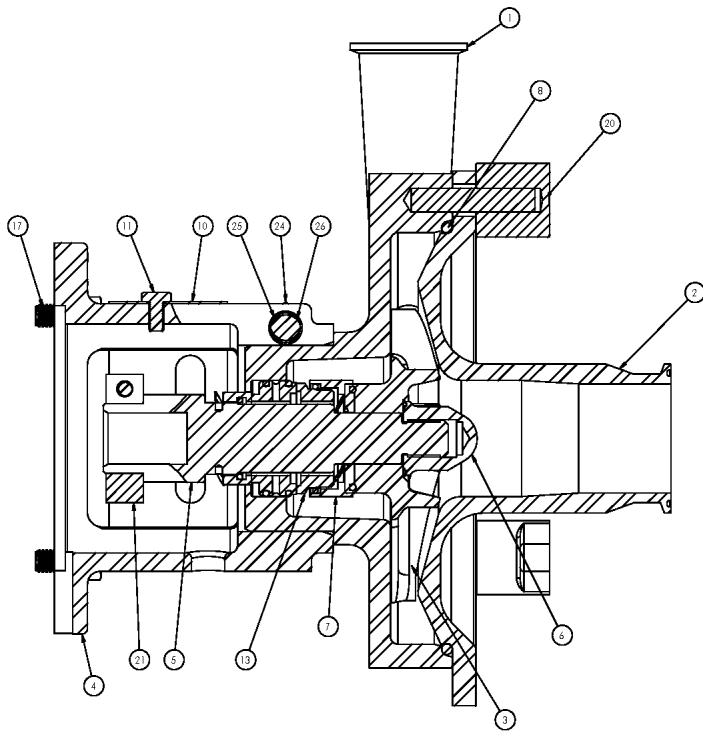
DOUBLE SEAL



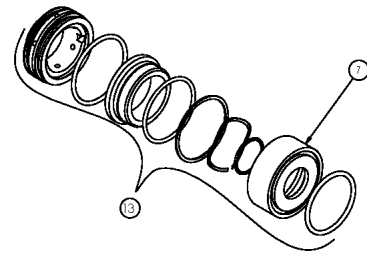
Exploded View - Seal Only

Optional Items Shown in ITALICS

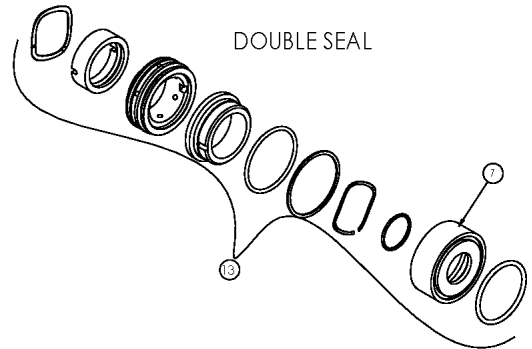
Ref #	Component Item No.	Description	Qty Per
7	SX11000037-ND	DRIVER,757,FRNT SEAL,NEW DESGN LF	1
13	GS02600651-ND	KIT,757,SGL SEAL,N/C/V,NEW DESIGN	1
	<i>GS02600639-ND</i>	<i>KIT,757,SGL SEAL,C/C/V,NEW DESIGN</i>	<i>1</i>
	<i>GS02600775-ND</i>	<i>KIT,757,DBL SEAL,N/C/N/V,NEW DESIGN</i>	<i>1</i>
	<i>GS02600640-ND</i>	<i>KIT,757,DBL SEAL,C/C/N/V,NEW DESIGN</i>	<i>1</i>



SINGLE SEAL



DOUBLE SEAL

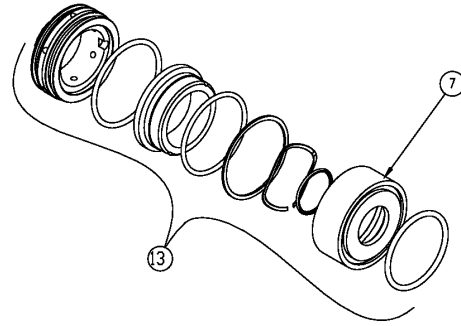


Exploded View

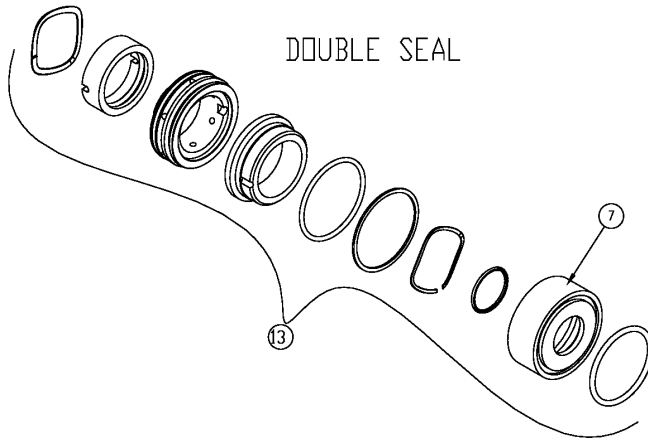
Optional Items Shown in ITALICS

Ref #	Component Item No.	Description	Qty Per
1	SV14610060	CASING,56C-210TC,1-1/2 CLMP LF R10	1
2	SC14620258	COVER,R10,2 CLAMP L SERIES	1
	<i>SC14620421</i>	<i>COVER,R10,2-1/2 CLAMP L SERIES</i>	1
3	SI14630001	IMPELLER,R10,130/22,130 MAX LF LM	1
4	SX10600134	ADAPTER,56C-140TC FRAME LF 757 SEAL	1
5	SX20000000	STUBSHAFT,56C LF 757 SEAL	1
6	SI54000000	NUT,633,IMP,56C-210TC LC	1
7	SX11000037-ND	DRIVER,757,FRNT SEAL,NEW DESGN LF	1
8	GX80000332	GASKET,R10,CVR,BUNA LC	1
	<i>GX80000357</i>	<i>GASKET,R10,CVR,EPDM LC</i>	1
	<i>GX80000017</i>	<i>GASKET,R10,CVR,VIT LC</i>	1
10	SX10614087	GUARD,SHAFT,56C-140TC,ADPT +BOLT LC	1
11	GX48104020	CAPSCRW,HX,1/4-28X3/8,18-8SS HX HD	1
12	SX15000002	KEY,56-280TSC LC	1
13	GS02600651-ND	KIT,757,SGL SEAL,N/C/V,NEW DESIGN	1
	<i>GS02600639-ND</i>	<i>KIT,757,SGL SEAL,C/C/V,NEW DESIGN</i>	1
	<i>GS02600775-ND</i>	<i>KIT,757,DBL SEAL,N/C/NV,NEW DESIGN</i>	1
	<i>GS02600640-ND</i>	<i>KIT,757,DBL SEAL,C/C/NV,NEW DESIGN</i>	1
17	GX5077200	CAPSCRW,HX,3/8-16X1-1/4,18-8SS HX HD	4
20	SX03000020	NUT,WING LC SERIES	2
21	SX18000013	COLLAR,56C/140TC,SHAFT L SEE ITEM NOTES	1
24	GX10610105	NUT,HEX,1/2-13,18-8SS L SERIES	1
25	GX10610100	CAPSCRW,HX,1/2-13X3-1/2,18-8SS HX HD	1
26	GX10610405	WASHER,LCK,1/2,18-8SS L SERIES	1

SINGLE SEAL



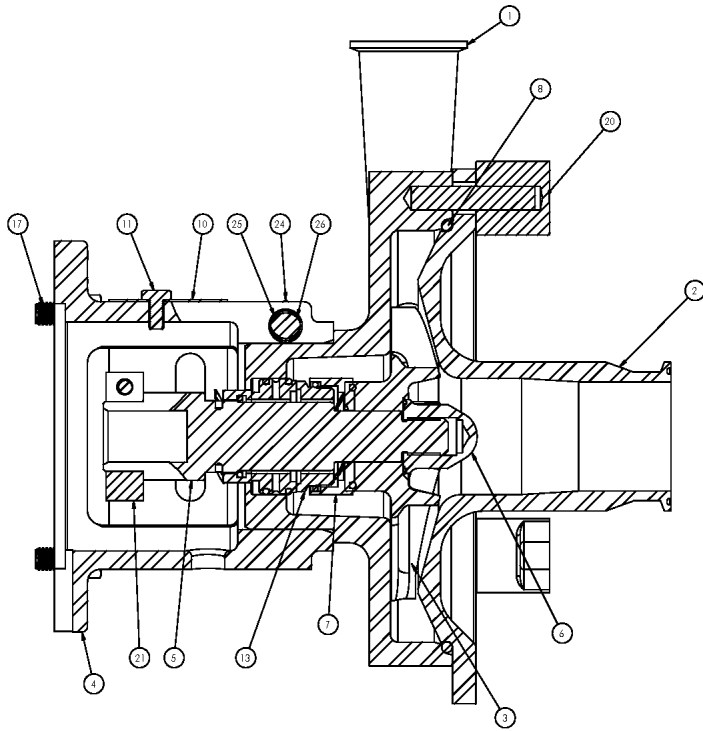
DOUBLE SEAL



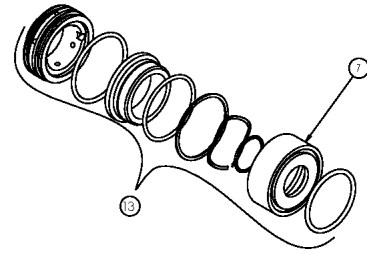
Exploded View - Seal Only

Optional Items Shown in ITALICS

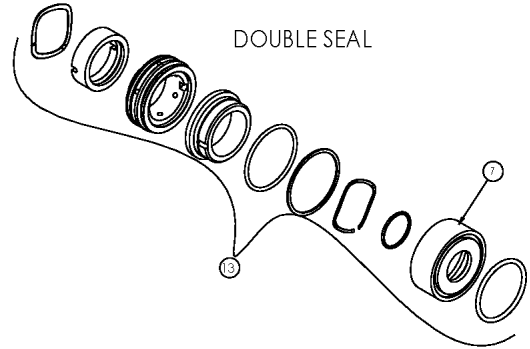
Ref #	Component Item No.	Description	Qty Per
7	SX11000037-ND	DRIVER,757,FRNT SEAL,NEW DESGN LF	1
13	GS02600651-ND	KIT,757,SGL SEAL,N/C/V,NEW DESIGN	1
	<i>GS02600639-ND</i>	<i>KIT,757,SGL SEAL,C/C/V,NEW DESIGN</i>	1
	<i>GS02600775-ND</i>	<i>KIT,757,DBL SEAL,N/C/N/V,NEW DESIGN</i>	1
	<i>GS02600640-ND</i>	<i>KIT,757,DBL SEAL,C/C/N/V,NEW DESIGN</i>	1



SINGLE SEAL



DOUBLE SEAL

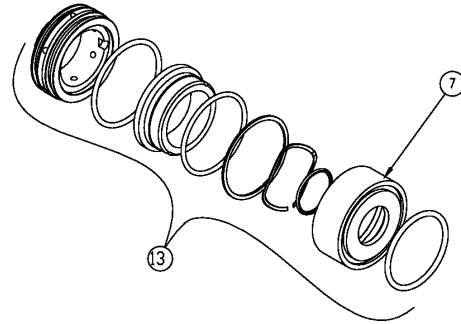


Exploded View

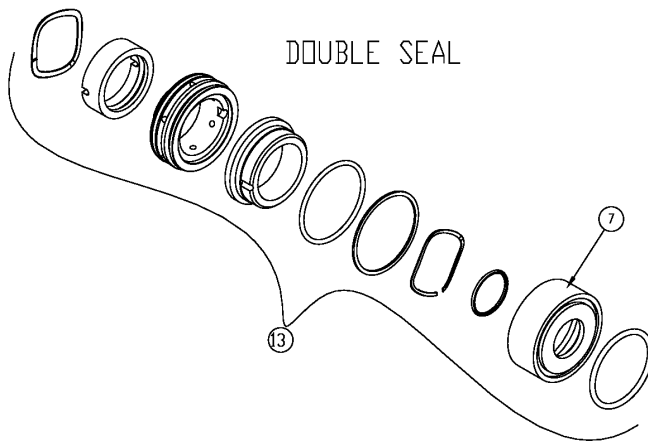
Optional Items Shown in ITALICS

Ref #	Component Item No.	Description	Qty Per
1	SV14610060	CASING,56C-210TC,1-1/2 CLMP LF R10	1
2	SC14620258	COVER,R10,2 CLAMP L SERIES	1
	<i>SC14620421</i>	<i>COVER,R10,2-1/2 CLAMP L SERIES</i>	1
3	SI14630001	IMPELLER,R10,130/22,130 MAX LF LM	1
4	SX10600134	ADAPTER,56C-140TC FRAME LF 757 SEAL	1
5	SX20000001	STUBSHAFT,140TC LF 757 SEAL	1
6	SI54000000	NUT,633,IMP,56C-210TC LC	1
7	SX11000037-ND	DRIVER,757,FRNT SEAL,NEW DESGN LF	1
8	GX80000332	GASKET,R10,CVR,BUNA LC	1
	<i>GX80000357</i>	<i>GASKET,R10,CVR,EPDM LC</i>	1
	<i>GX80000017</i>	<i>GASKET,R10,CVR,VIT LC</i>	1
10	SX10614087	GUARD,SHAFT,56C-140TC,ADPT +BOLT LC	1
11	GX48104020	CAPSCRW,HX,1/4-28X3/8,18-8SS HX HD	1
12	SX15000002	KEY,56-280TSC LC	1
13	GS02600651-ND	KIT,757,SGL SEAL,N/C/V,NEW DESIGN	1
	<i>GS02600639-ND</i>	<i>KIT,757,SGL SEAL,C/C/V,NEW DESIGN</i>	1
	<i>GS02600775-ND</i>	<i>KIT,757,DBL SEAL,N/C/NV,NEW DESIGN</i>	1
	<i>GS02600640-ND</i>	<i>KIT,757,DBL SEAL,C/C/NV,NEW DESIGN</i>	1
17	GX5077200	CAPSCRW,HX,3/8-16X1-1/4,18-8SS HX HD	4
20	SX03000020	NUT,WING LC SERIES	2
21	SX18000013	COLLAR,56C/140TC,SHAFT L SEE ITEM NOTES	1
24	GX10610105	NUT,HEX,1/2-13,18-8SS L SERIES	1
25	GX10610100	CAPSCRW,HX,1/2-13X3-1/2,18-8SS HX HD	1
26	GX10610405	WASHER,LCK,1/2,18-8SS L SERIES	1

SINGLE SEAL



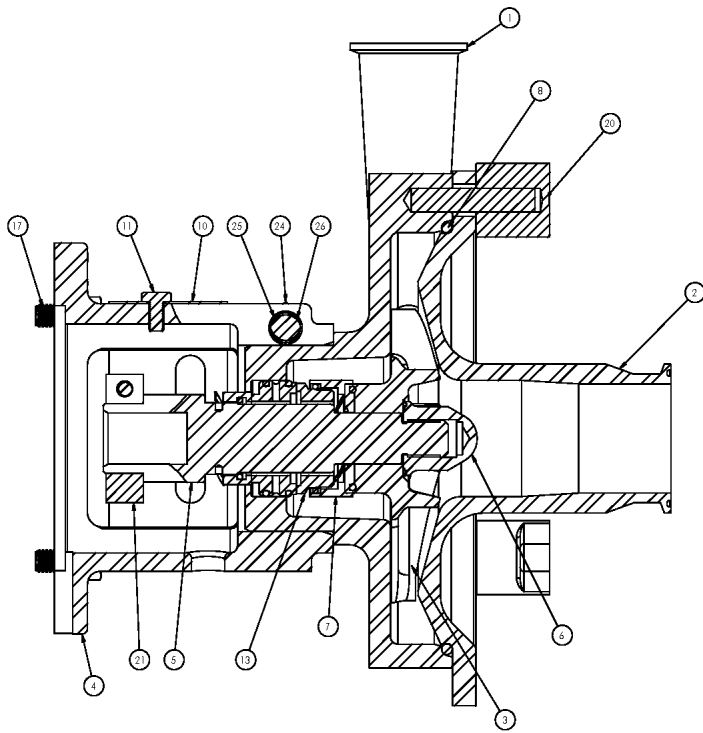
DOUBLE SEAL



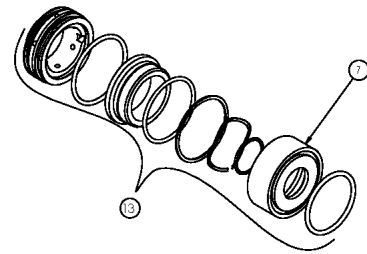
Exploded View - Seal Only

Optional Items Shown in ITALICS

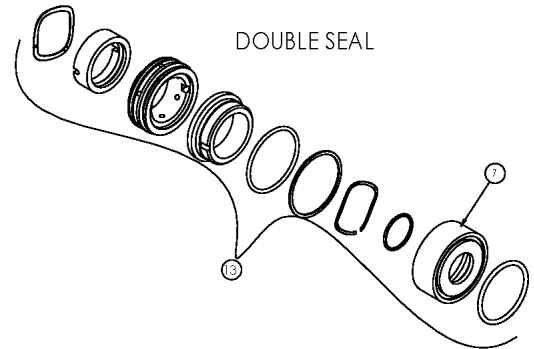
Ref #	Component Item No.	Description	Qty Per
7	SX11000037-ND	DRIVER,757,FRNT SEAL,NEW DESGN LF	1
13	GS02600651-ND	KIT,757,SGL SEAL,N/C/V,NEW DESIGN	1
	<i>GS02600639-ND</i>	<i>KIT,757,SGL SEAL,C/C/V,NEW DESIGN</i>	1
	<i>GS02600775-ND</i>	<i>KIT,757,DBL SEAL,N/C/N/V,NEW DESIGN</i>	1
	<i>GS02600640-ND</i>	<i>KIT,757,DBL SEAL,C/C/N/V,NEW DESIGN</i>	1



SINGLE SEAL



DOUBLE SEAL

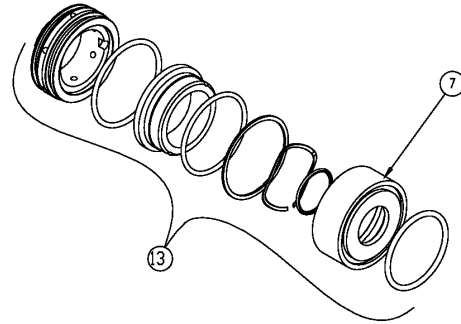


Exploded View

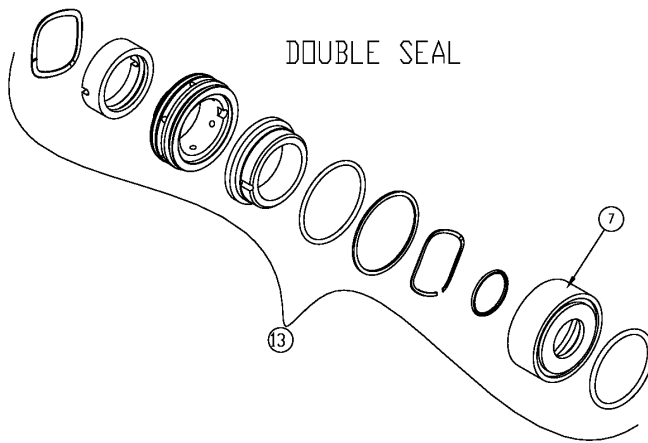
Optional Items Shown in ITALICS

Ref #	Component Item No.	Description	Qty Per
1	SV14610060	CASING,56C-210TC,1-1/2 CLMP LF R10	1
2	SC14620258	COVER,R10,2 CLAMP L SERIES	1
	<i>SC14620421</i>	<i>COVER,R10,2-1/2 CLAMP L SERIES</i>	1
3	SI14630001	IMPELLER,R10,130/22,130 MAX LF LM	1
4	SX10600133	ADAPTER,180-250TC FRAME LF 757 SEAL	1
5	SX20000002	STUBSHAFT,180TC LF 757 SEAL	1
6	SI54000000	NUT,633,IMP,56C-210TC LC	1
7	SX11000037-ND	DRIVER,757,FRNT SEAL,NEW DESGN LF	1
8	GX80000332	GASKET,R10,CVR,BUNA LC	1
	<i>GX80000357</i>	<i>GASKET,R10,CVR,EPDM LC</i>	1
	<i>GX80000017</i>	<i>GASKET,R10,CVR,VIT LC</i>	1
10	SX10625088	GUARD,SHAFT,250TC ADPTR LC	1
11	GX48104020	CAPSCRW,HX,1/4-28X3/8,18-8SS HX HD	1
12	SX15000002	KEY,56-280TSC LC	1
13	GS02600651-ND	KIT,757,SGL SEAL,N/C/V,NEW DESIGN	1
	<i>GS02600639-ND</i>	<i>KIT,757,SGL SEAL,C/C/V,NEW DESIGN</i>	1
	<i>GS02600775-ND</i>	<i>KIT,757,DBL SEAL,N/C/NV,NEW DESIGN</i>	1
	<i>GS02600640-ND</i>	<i>KIT,757,DBL SEAL,C/C/NV,NEW DESIGN</i>	1
17	SC1710H-SS	CAPSCRW,HX,1/2-13X1,18-8SS HX HD	4
20	SX03000020	NUT,WING LC SERIES	2
21	SX18000014	COLLAR,180TC,SHAFT LC	1
24	GX10610105	NUT,HEX,1/2-13,18-8SS L SERIES	1
25	GX10610100	CAPSCRW,HX,1/2-13X3-1/2,18-8SS HX HD	1
26	GX10610405	WASHER,LCK,1/2,18-8SS L SERIES	1

SINGLE SEAL



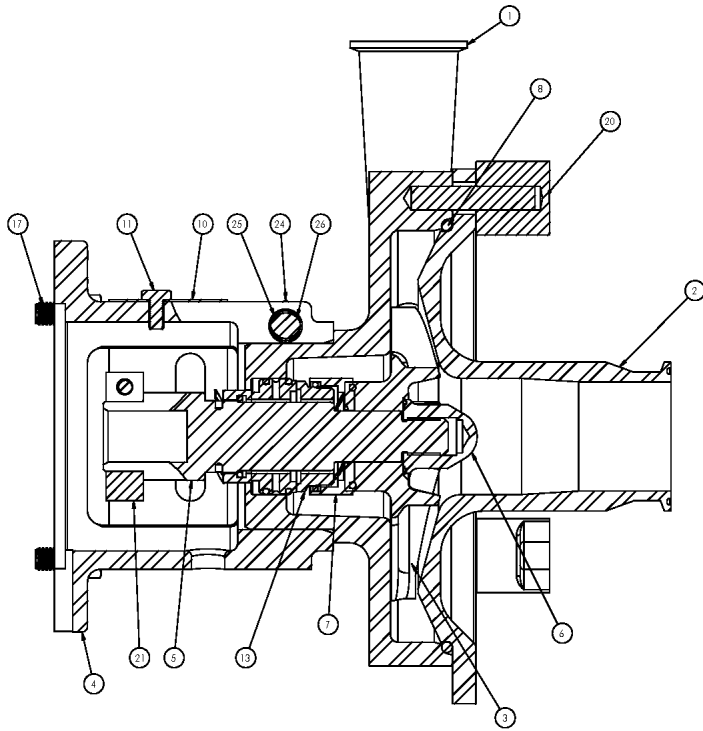
DOUBLE SEAL



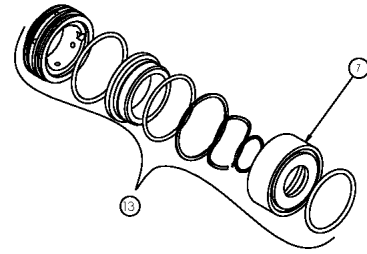
Exploded View - Seal Only

Optional Items Shown in ITALICS

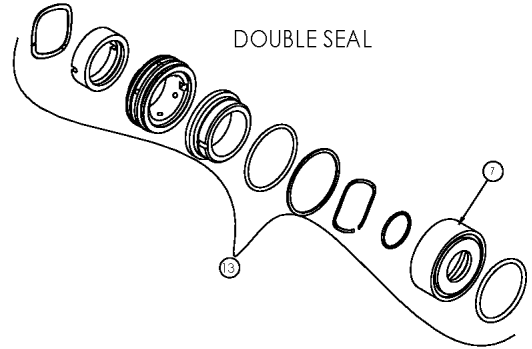
Ref #	Component Item No.	Description	Qty Per
7	SX11000037-ND	DRIVER,757,FRNT SEAL,NEW DESGN LF	1
13	GS02600651-ND	KIT,757,SGL SEAL,N/C/V,NEW DESIGN	1
	<i>GS02600639-ND</i>	<i>KIT,757,SGL SEAL,C/C/V,NEW DESIGN</i>	1
	<i>GS02600775-ND</i>	<i>KIT,757,DBL SEAL,N/C/N/V,NEW DESIGN</i>	1
	<i>GS02600640-ND</i>	<i>KIT,757,DBL SEAL,C/C/N/V,NEW DESIGN</i>	1



SINGLE SEAL



DOUBLE SEAL

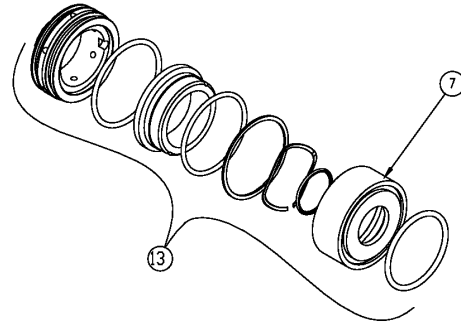


Exploded View

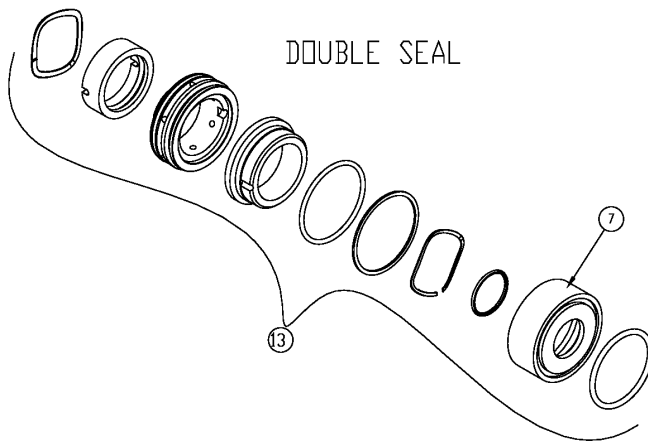
Optional Items Shown in ITALICS

Ref #	Component Item No.	Description	Qty Per
1	SV14610060	CASING,56C-210TC,1-1/2 CLMP LF R10	1
2	SC14620258	COVER,R10,2 CLAMP L SERIES	1
	<i>SC14620421</i>	<i>COVER,R10,2-1/2 CLAMP L SERIES</i>	1
3	SI14630001	IMPELLER,R10,130/22,130 MAX LF LM	1
4	SX10600133	ADAPTER,180-250TC FRAME LF 757 SEAL	1
5	SX20000003	STUBSHAFT,210TC LF 757 SEAL	1
6	SI54000000	NUT,633,IMP,56C-210TC LC	1
7	SX11000037-ND	DRIVER,757,FRNT SEAL,NEW DESGN LF	1
8	GX80000332	GASKET,R10,CVR,BUNA LC	1
	<i>GX80000357</i>	<i>GASKET,R10,CVR,EPDM LC</i>	1
	<i>GX80000017</i>	<i>GASKET,R10,CVR,VIT LC</i>	1
10	SX10625088	GUARD,SHAFT,250TC ADPTR LC	1
11	GX48104020	CAPSCRW,HX,1/4-28X3/8,18-8SS HX HD	1
12	SX15000002	KEY,56-280TSC LC	1
13	GS02600651-ND	KIT,757,SGL SEAL,N/C/V,NEW DESIGN	1
	<i>GS02600639-ND</i>	<i>KIT,757,SGL SEAL,C/C/V,NEW DESIGN</i>	1
	<i>GS02600775-ND</i>	<i>KIT,757,DBL SEAL,N/C/NV,NEW DESIGN</i>	1
	<i>GS02600640-ND</i>	<i>KIT,757,DBL SEAL,C/C/NV,NEW DESIGN</i>	1
17	SC1710H-SS	CAPSCRW,HX,1/2-13X1,18-8SS HX HD	4
20	SX03000020	NUT,WING LC SERIES	2
21	SX18000015	COLLAR,210TC,SHAFT LC	1
24	GX10610105	NUT,HEX,1/2-13,18-8SS L SERIES	1
25	GX10610100	CAPSCRW,HX,1/2-13X3-1/2,18-8SS HX HD	1
26	GX10610405	WASHER,LCK,1/2,18-8SS L SERIES	1

SINGLE SEAL



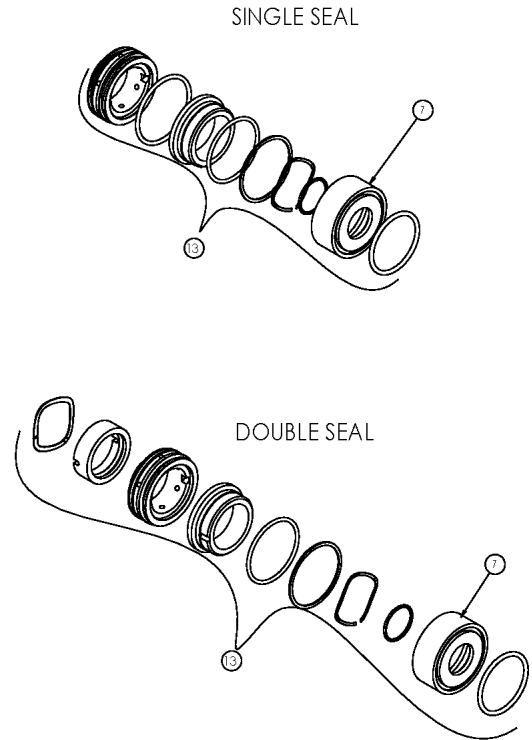
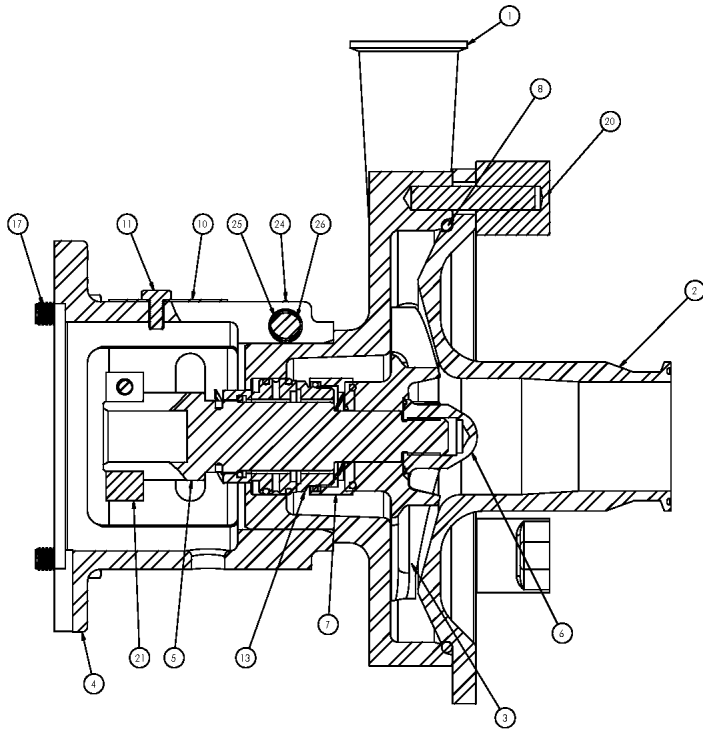
DOUBLE SEAL



Exploded View - Seal Only

Optional Items Shown in ITALICS

Ref #	Component Item No.	Description	Qty Per
7	SX11000037-ND	DRIVER,757,FRNT SEAL,NEW DESGN LF	1
13	GS02600651-ND	KIT,757,SGL SEAL,N/C/V,NEW DESIGN	1
	<i>GS02600639-ND</i>	<i>KIT,757,SGL SEAL,C/C/V,NEW DESIGN</i>	<i>1</i>
	<i>GS02600775-ND</i>	<i>KIT,757,DBL SEAL,N/C/N/V,NEW DESIGN</i>	<i>1</i>
	<i>GS02600640-ND</i>	<i>KIT,757,DBL SEAL,C/C/N/V,NEW DESIGN</i>	<i>1</i>

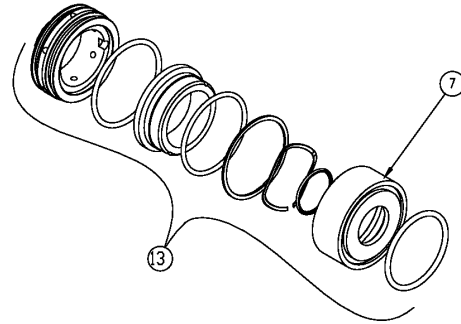


Exploded View

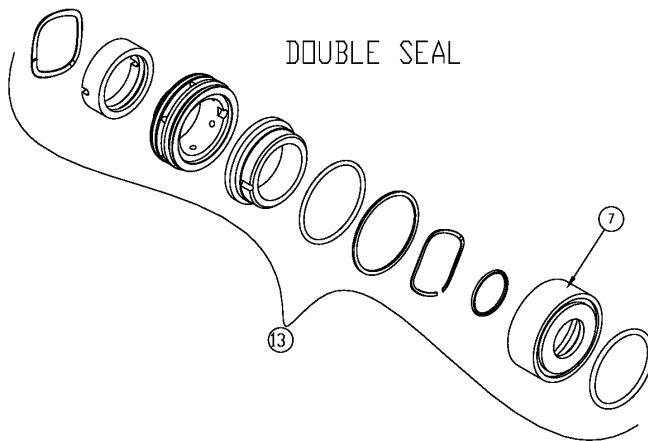
Optional Items Shown in ITALICS

Ref #	Component Item No.	Description	Qty Per
1	SV70610157	CASING,180-320TSC,2 CLMP LF R140	1
2	SC44620279	COVER,R32/R40/R132,2-1/2 CLMP L SERIES	1
	SC44620432	COVER,R32/40/132/140,3 CLAMP L SERIES	1
3	SI70630235	IMPELLER,R140,205/22,205MAX LC/LD/LF	1
4	SX10600134	ADAPTER,56C-140TC FRAME LF 757 SEAL	1
5	SX20000001	STUBSHAFT,140TC LF 757 SEAL	1
6	SI54000007	NUT,735,IMP,250TC-280TC	1
7	SX11000037-ND	DRIVER,757,FRNT SEAL,NEW DESGN LF	1
8	GX80000337	O-RING,R32/40/132/140,CVR,BUNA LC	1
	GX80000349	GASKET,R32/40/132/140,CVR,EPDM LC	1
	GX80000338	GASKET,R32/40/132/R140,CVR,VIT LC	1
10	SX10614087	GUARD,SHAFT,56C-140TC,ADPT +BOLT LC	1
11	GX48104020	CAPSCRW,HX,1/4-28X3/8,18-8SS HX HD	1
12	SX15000002	KEY,56-280TSC LC	1
13	GS02600651-ND	KIT,757,SGL SEAL,N/C/V,NEW DESIGN	1
	GS02600639-ND	KIT,757,SGL SEAL,C/C/V,NEW DESIGN	1
	GS02600775-ND	KIT,757,DBL SEAL,N/C/N/V,NEW DESIGN	1
	GS02600640-ND	KIT,757,DBL SEAL,C/C/N/V,NEW DESIGN	1
17	GX5077200	CAPSCRW,HX,3/8-16X1-1/4,18-8SS HX HD	4
20	SX03000020	NUT,WING LC SERIES	5
21	SX18000013	COLLAR,56C/140TC,SHAFT L SEE ITEM NOTES	1
24	GX10610105	NUT,HEX,1/2-13,18-8SS L SERIES	1
25	GX10610100	CAPSCRW,HX,1/2-13X3-1/2,18-8SS HX HD	1
26	GX10610405	WASHER,LCK,1/2,18-8SS L SERIES	1

SINGLE SEAL



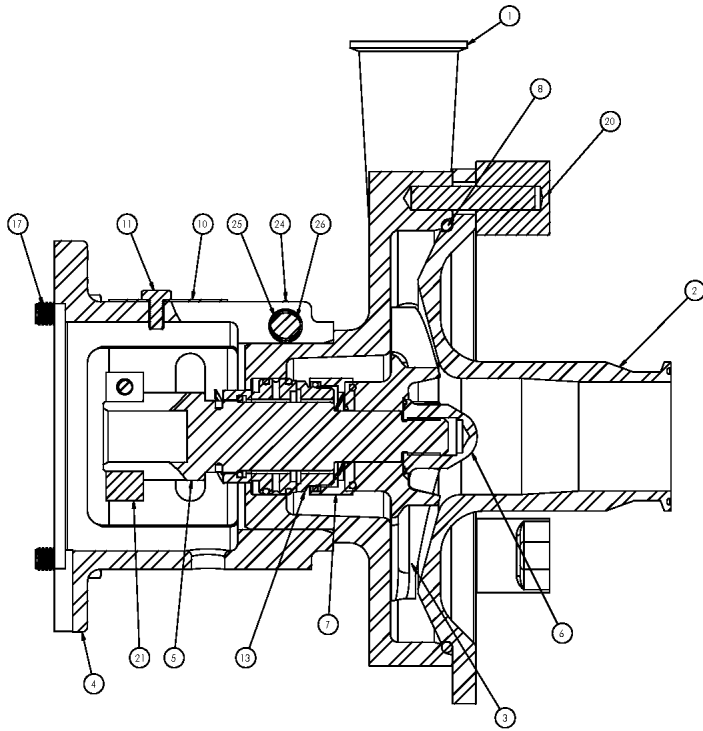
DOUBLE SEAL



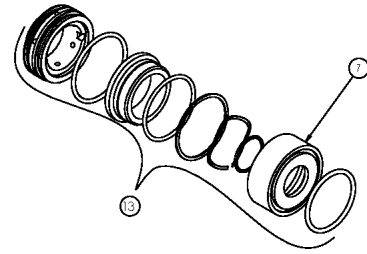
Exploded View - Seal Only

Optional Items Shown in ITALICS

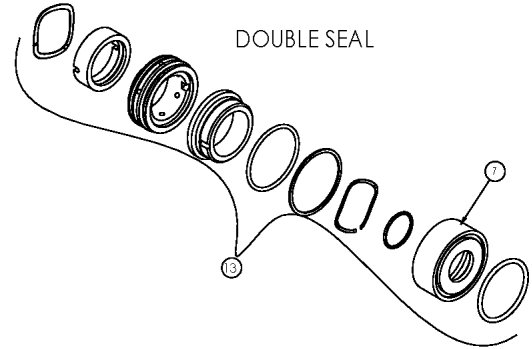
Ref #	Component Item No.	Description	Qty Per
7	SX11000037-ND	DRIVER,757,FRNT SEAL,NEW DESGN LF	1
13	GS02600651-ND	KIT,757,SGL SEAL,N/C/V,NEW DESIGN	1
	<i>GS02600639-ND</i>	<i>KIT,757,SGL SEAL,C/C/V,NEW DESIGN</i>	<i>1</i>
	<i>GS02600775-ND</i>	<i>KIT,757,DBL SEAL,N/C/N/V,NEW DESIGN</i>	<i>1</i>
	<i>GS02600640-ND</i>	<i>KIT,757,DBL SEAL,C/C/N/V,NEW DESIGN</i>	<i>1</i>



SINGLE SEAL



DOUBLE SEAL

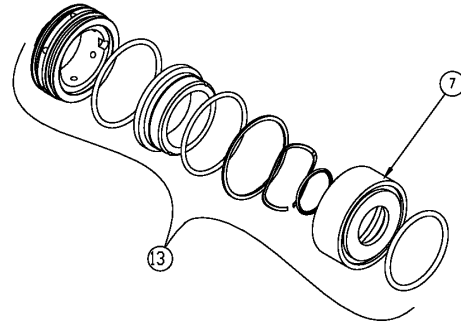


Exploded View

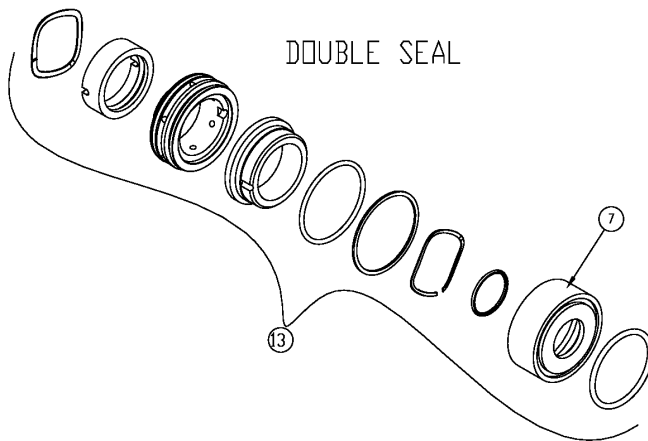
Optional Items Shown in ITALICS

Ref #	Component Item No.	Description	Qty Per
1	SV70610157	CASING,180-320TSC,2 CLMP LF R140	1
2	SC44620279	COVER,R32/R40/R132,2-1/2 CLMP L SERIES	1
	SC44620432	COVER,R32/40/132/140,3 CLAMP L SERIES	1
3	SI70630235	IMPELLER,R140,205/22,205MAX LC/LD/LF	1
4	SX10600133	ADAPTER,180-250TC FRAME LF 757 SEAL	1
5	SX20000002	STUBSHAFT,180TC LF 757 SEAL	1
6	SI54000007	NUT,735,IMP,250TC-280TC	1
7	SX11000037-ND	DRIVER,757,FRNT SEAL,NEW DESGN LF	1
8	GX80000337	O-RING,R32/40/132/140,CVR,BUNA LC	1
	GX80000349	GASKET,R32/40/132/140,CVR,EPDM LC	1
	GX80000338	GASKET,R32/40/132/R140,CVR,VIT LC	1
10	SX10625088	GUARD,SHAFT,250TC ADPTR LC	1
11	GX48104020	CAPSCRW,HX,1/4-28X3/8,18-8SS HX HD	1
12	SX15000002	KEY,56-280TSC LC	1
13	GS02600651-ND	KIT,757,SGL SEAL,N/C/V,NEW DESIGN	1
	GS02600639-ND	KIT,757,SGL SEAL,C/C/V,NEW DESIGN	1
	GS02600775-ND	KIT,757,DBL SEAL,N/C/N/V,NEW DESIGN	1
	GS02600640-ND	KIT,757,DBL SEAL,C/C/N/V,NEW DESIGN	1
17	SC1710H-SS	CAPSCRW,HX,1/2-13X1,18-8SS HX HD	4
20	SX03000020	NUT,WING LC SERIES	5
21	SX18000014	COLLAR,180TC,SHAFT LC	1
24	GX10610105	NUT,HEX,1/2-13,18-8SS L SERIES	1
25	GX10610100	CAPSCRW,HX,1/2-13X3-1/2,18-8SS HX HD	1
26	GX10610405	WASHER,LCK,1/2,18-8SS L SERIES	1

SINGLE SEAL



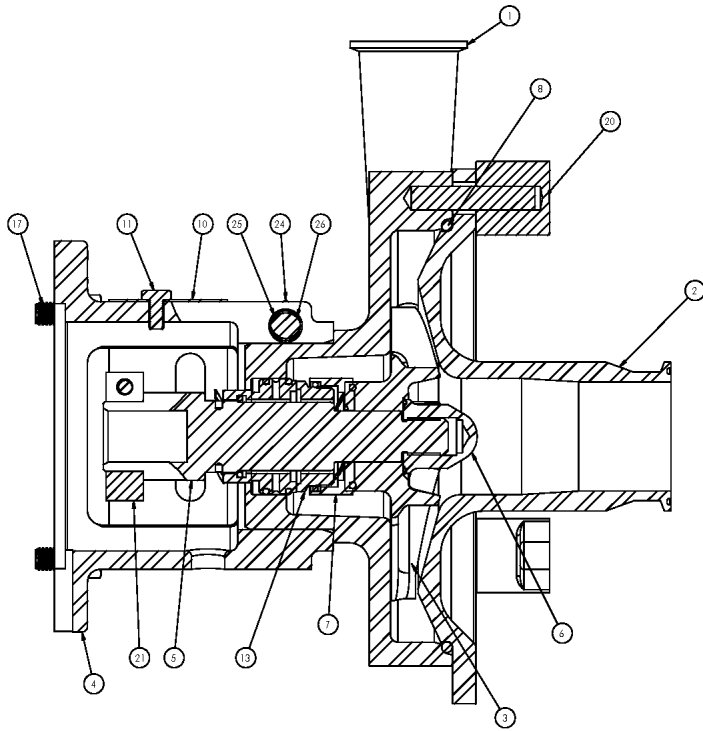
DOUBLE SEAL



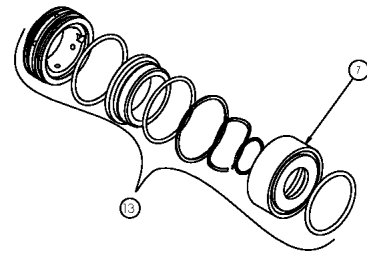
Exploded View - Seal Only

Optional Items Shown in ITALICS

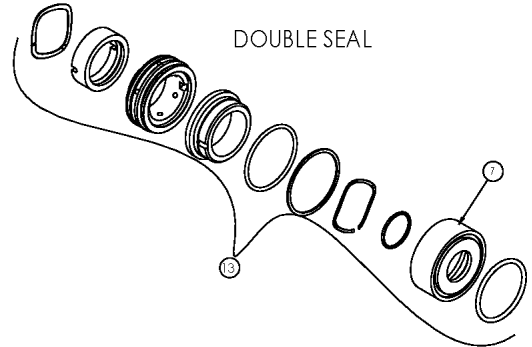
Ref #	Component Item No.	Description	Qty Per
7	SX11000037-ND	DRIVER,757,FRNT SEAL,NEW DESGN LF	1
13	GS02600651-ND	KIT,757,SGL SEAL,N/C/V,NEW DESIGN	1
	GS02600639-ND	KIT,757,SGL SEAL,C/C/V,NEW DESIGN	1
	GS02600775-ND	KIT,757,DBL SEAL,N/C/N/V,NEW DESIGN	1
	GS02600640-ND	KIT,757,DBL SEAL,C/C/N/V,NEW DESIGN	1



SINGLE SEAL



DOUBLE SEAL

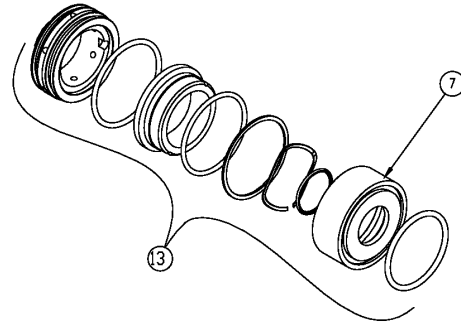


Exploded View

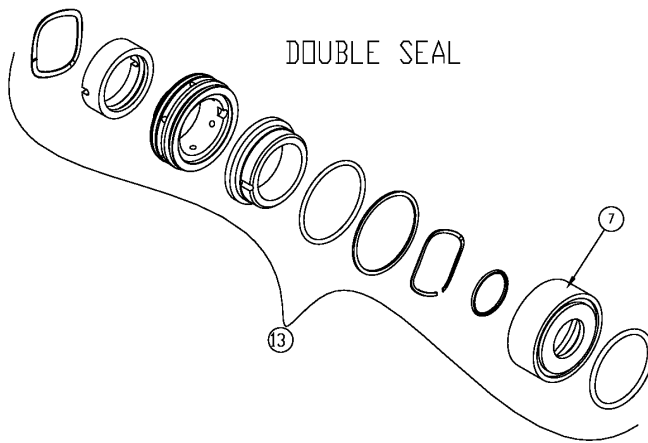
Optional Items Shown in ITALICS

Ref #	Component Item No.	Description	Qty Per
1	SV70610157	CASING,180-320TSC,2 CLMP LF R140	1
2	SC44620279	COVER,R32/R40/R132,2-1/2 CLMP L SERIES	1
	SC44620432	COVER,R32/40/132/140,3 CLAMP L SERIES	1
3	SI70630235	IMPELLER,R140,205/22,205MAX LC/LD/LF	1
4	SX10600133	ADAPTER,180-250TC FRAME LF 757 SEAL	1
5	SX20000003	STUBSHAFT,210TC LF 757 SEAL	1
6	SI54000007	NUT,735,IMP,250TC-280TC	1
7	SX11000037-ND	DRIVER,757,FRNT SEAL,NEW DESGN LF	1
8	GX80000337	O-RING,R32/40/132/140,CVR,BUNA LC	1
	GX80000349	GASKET,R32/40/132/140,CVR,EPDM LC	1
	GX80000338	GASKET,R32/40/132/R140,CVR,VIT LC	1
10	SX10625088	GUARD,SHAFT,250TC ADPTR LC	1
11	GX48104020	CAPSCRW,HX,1/4-28X3/8,18-8SS HX HD	1
12	SX15000002	KEY,56-280TSC LC	1
13	GS02600651-ND	KIT,757,SGL SEAL,N/C/V,NEW DESIGN	1
	GS02600639-ND	KIT,757,SGL SEAL,C/C/V,NEW DESIGN	1
	GS02600775-ND	KIT,757,DBL SEAL,N/C/NV,NEW DESIGN	1
	GS02600640-ND	KIT,757,DBL SEAL,C/C/NV,NEW DESIGN	1
17	SC1710H-SS	CAPSCRW,HX,1/2-13X1,18-8SS HX HD	4
20	SX03000020	NUT,WING LC SERIES	5
21	SX18000015	COLLAR,210TC,SHAFT LC	1
24	GX10610105	NUT,HEX,1/2-13,18-8SS L SERIES	1
25	GX10610100	CAPSCRW,HX,1/2-13X3-1/2,18-8SS HX HD	1
26	GX10610405	WASHER,LCK,1/2,18-8SS L SERIES	1

SINGLE SEAL



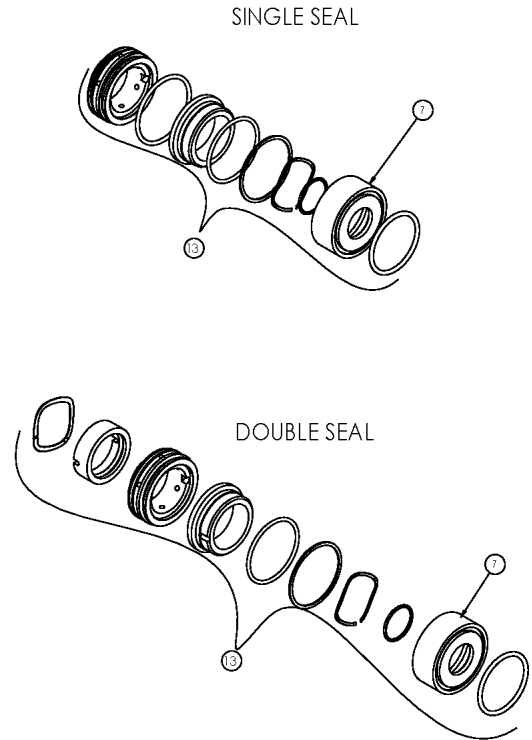
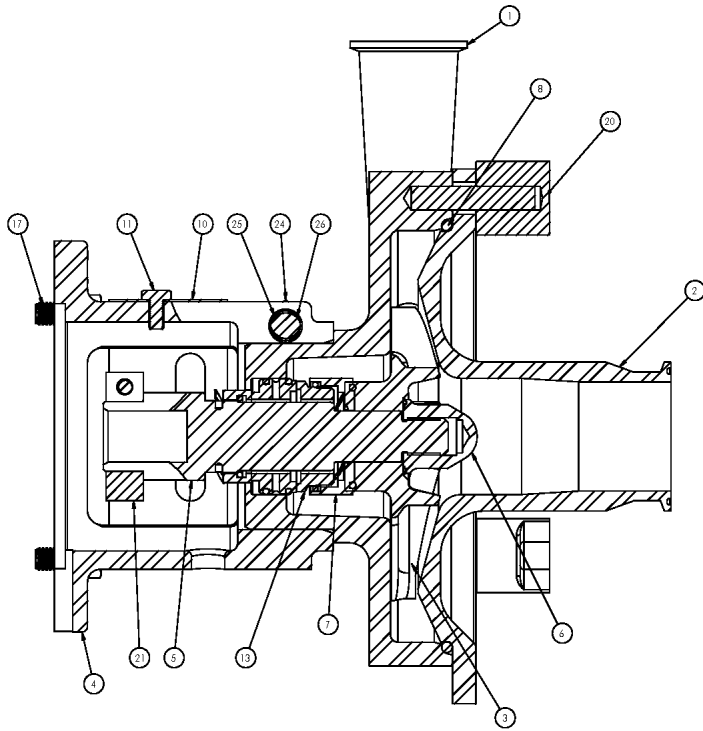
DOUBLE SEAL



Exploded View - Seal Only

Optional Items Shown in ITALICS

Ref #	Component Item No.	Description	Qty Per
7	SX11000037-ND	DRIVER,757,FRNT SEAL,NEW DESGN LF	1
13	GS02600651-ND	KIT,757,SGL SEAL,N/C/V,NEW DESIGN	1
	<i>GS02600639-ND</i>	<i>KIT,757,SGL SEAL,C/C/V,NEW DESIGN</i>	<i>1</i>
	<i>GS02600775-ND</i>	<i>KIT,757,DBL SEAL,N/C/N/V,NEW DESIGN</i>	<i>1</i>
	<i>GS02600640-ND</i>	<i>KIT,757,DBL SEAL,C/C/N/V,NEW DESIGN</i>	<i>1</i>

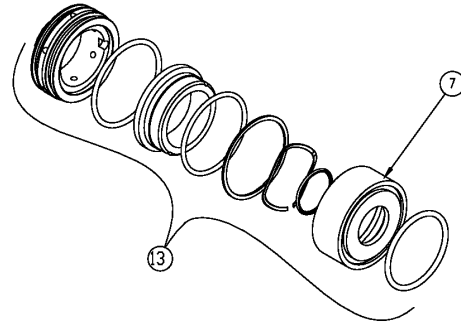


Exploded View

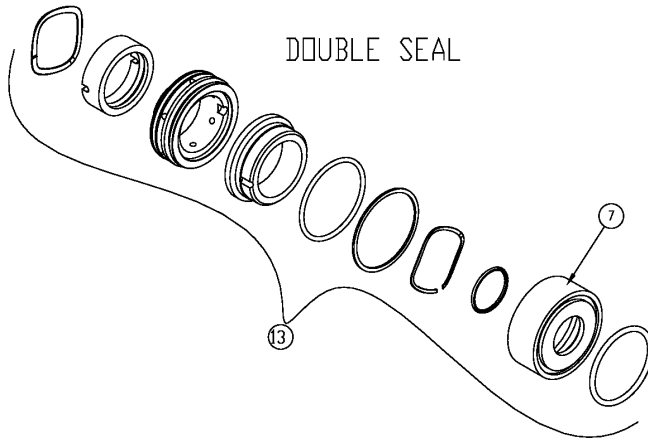
Optional Items Shown in ITALICS

Ref #	Component Item No.	Description	Qty Per
1	SV70610157	CASING,180-320TSC,2 CLMP LF R140	1
2	SC44620279	COVER,R32/R40/R132,2-1/2 CLMP L SERIES	1
	SC44620432	COVER,R32/40/132/140,3 CLAMP L SERIES	1
3	SI70630235	IMPELLER,R140,205/22,205MAX LC/LD/LF	1
4	SX10600133	ADAPTER,180-250TC FRAME LF 757 SEAL	1
5	SX20000004	STUBSHAFT,250TC/280TSC LF 757 SEAL	1
6	SI54000007	NUT,735,IMP,250TC-280TC	1
7	SX11000037-ND	DRIVER,757,FRNT SEAL,NEW DESGN LF	1
8	GX80000337	O-RING,R32/40/132/140,CVR,BUNA LC	1
	GX80000349	GASKET,R32/40/132/140,CVR,EPDM LC	1
	GX80000338	GASKET,R32/40/132/R140,CVR,VIT LC	1
10	SX10625088	GUARD,SHAFT,250TC ADPTR LC	1
11	GX48104020	CAPSCRW,HX,1/4-28X3/8,18-8SS HX HD	1
12	SX15000002	KEY,56-280TSC LC	1
13	GS02600651-ND	KIT,757,SGL SEAL,N/C/V,NEW DESIGN	1
	GS02600639-ND	KIT,757,SGL SEAL,C/C/V,NEW DESIGN	1
	GS02600775-ND	KIT,757,DBL SEAL,N/C/N/V,NEW DESIGN	1
	GS02600640-ND	KIT,757,DBL SEAL,C/C/N/V,NEW DESIGN	1
17	SC1710H-SS	CAPSCRW,HX,1/2-13X1,18-8SS HX HD	4
20	SX03000020	NUT,WING LC SERIES	5
21	SX18000016	COLLAR,250TC/280TSC,SHAFT LC	1
24	GX10610105	NUT,HEX,1/2-13,18-8SS L SERIES	1
25	GX10610100	CAPSCRW,HX,1/2-13X3-1/2,18-8SS HX HD	1
26	GX10610405	WASHER,LCK,1/2,18-8SS L SERIES	1

SINGLE SEAL



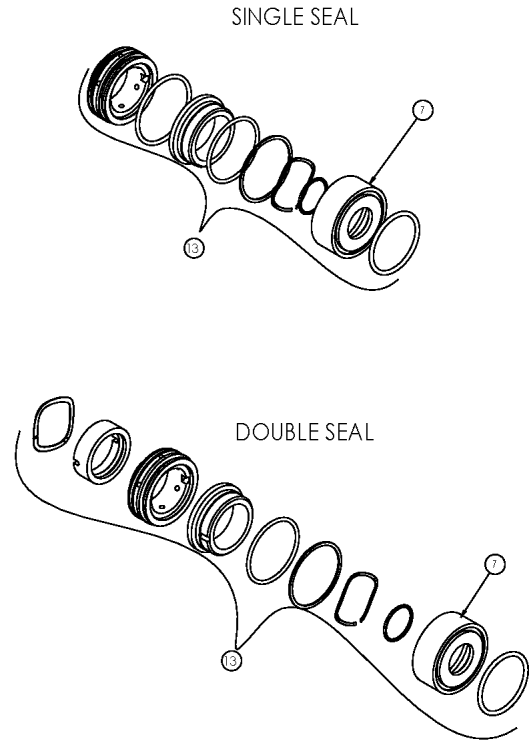
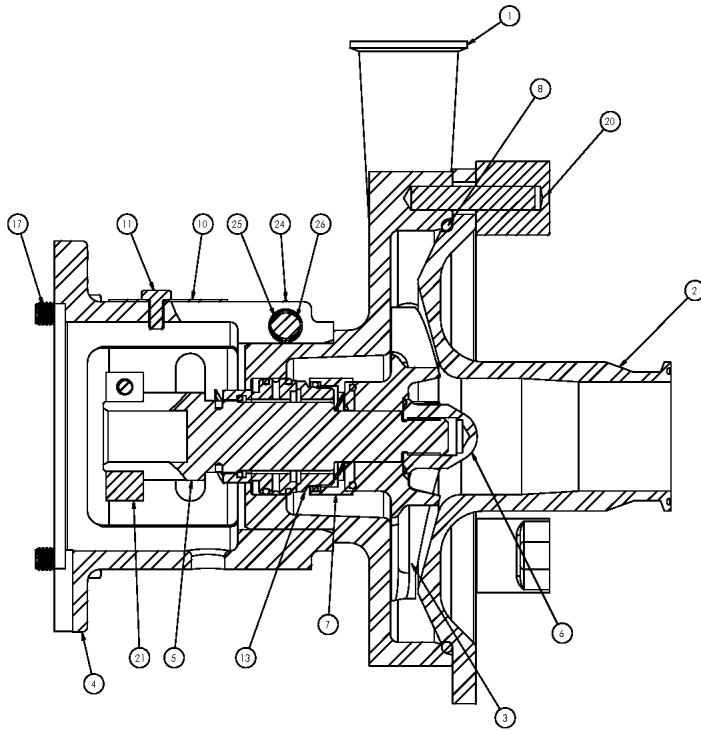
DOUBLE SEAL



Exploded View - Seal Only

Optional Items Shown in ITALICS

Ref #	Component Item No.	Description	Qty Per
7	SX11000037-ND	DRIVER,757,FRNT SEAL,NEW DESGN LF	1
13	GS02600651-ND	KIT,757,SGL SEAL,N/C/V,NEW DESIGN	1
	<i>GS02600639-ND</i>	<i>KIT,757,SGL SEAL,C/C/V,NEW DESIGN</i>	<i>1</i>
	<i>GS02600775-ND</i>	<i>KIT,757,DBL SEAL,N/C/N/V,NEW DESIGN</i>	<i>1</i>
	<i>GS02600640-ND</i>	<i>KIT,757,DBL SEAL,C/C/N/V,NEW DESIGN</i>	<i>1</i>

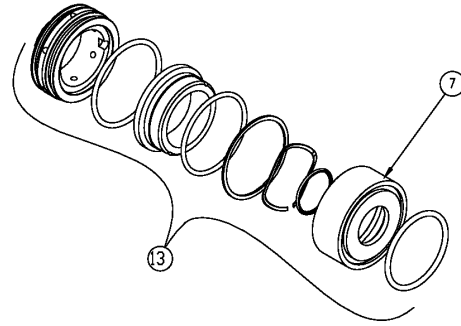


Exploded View

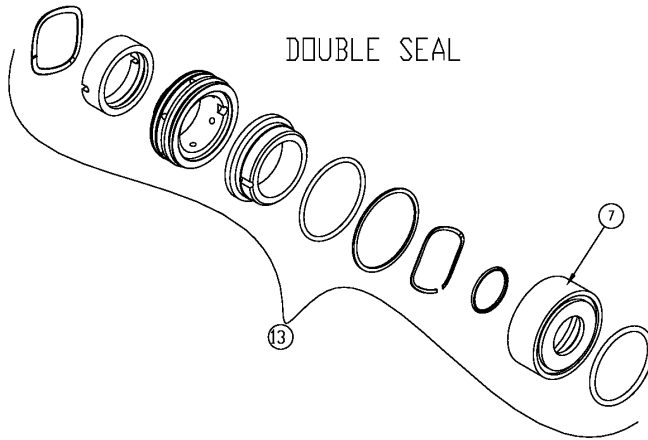
Optional Items Shown in ITALICS

Ref #	Component Item No.	Description	Qty Per
1	SV70610157	CASING,180-320TSC,2 CLMP LF R140	1
2	SC44620279	COVER,R32/R40/R132,2-1/2 CLMP L SERIES	1
	SC44620432	COVER,R32/40/132/140,3 CLAMP L SERIES	1
3	SI70630235	IMPELLER,R140,205/22,205MAX LC/LD/LF	1
4	SX10600135	ADAPTER,280TC/TSC FRAME LF 757 SEAL	1
5	SX20000004	STUBSHAFT,250TC/280TSC LF 757 SEAL	1
6	SI54000007	NUT,735,IMP,250TC-280TC	1
7	SX11000037-ND	DRIVER,757,FRNT SEAL,NEW DESGN LF	1
8	GX80000337	O-RING,R32/40/132/140,CVR,BUNA LC	1
	GX80000349	GASKET,R32/40/132/140,CVR,EPDM LC	1
	GX80000338	GASKET,R32/40/132/R140,CVR,VIT LC	1
10	SX10628135	GUARD,SHAFT,757,ADPTR LFR LFV SBI SBH	1
11	GX48104020	CAPSCRW,HX,1/4-28X3/8,18-8SS HX HD	1
12	SX15000002	KEY,56-280TSC LC	1
13	GS02600651-ND	KIT,757,SGL SEAL,N/C/V,NEW DESIGN	1
	GS02600639-ND	KIT,757,SGL SEAL,C/C/V,NEW DESIGN	1
	GS02600775-ND	KIT,757,DBL SEAL,N/C/N/V,NEW DESIGN	1
	GS02600640-ND	KIT,757,DBL SEAL,C/C/N/V,NEW DESIGN	1
17	SC1710H-SS	CAPSCRW,HX,1/2-13X1,18-8SS HX HD	4
20	SX03000020	NUT,WING LC SERIES	5
21	SX18000035	COLLAR,250TC/280TSC,SHAFT LC	1
24	GX10610101	CAPSCRW,HX,1/2-13X5,18-8SS HX HD	1
	GX10610105	NUT,HEX,1/2-13,18-8SS L SERIES	1
26	GX10610405	WASHER,LCK,1/2,18-8SS L SERIES	1

SINGLE SEAL



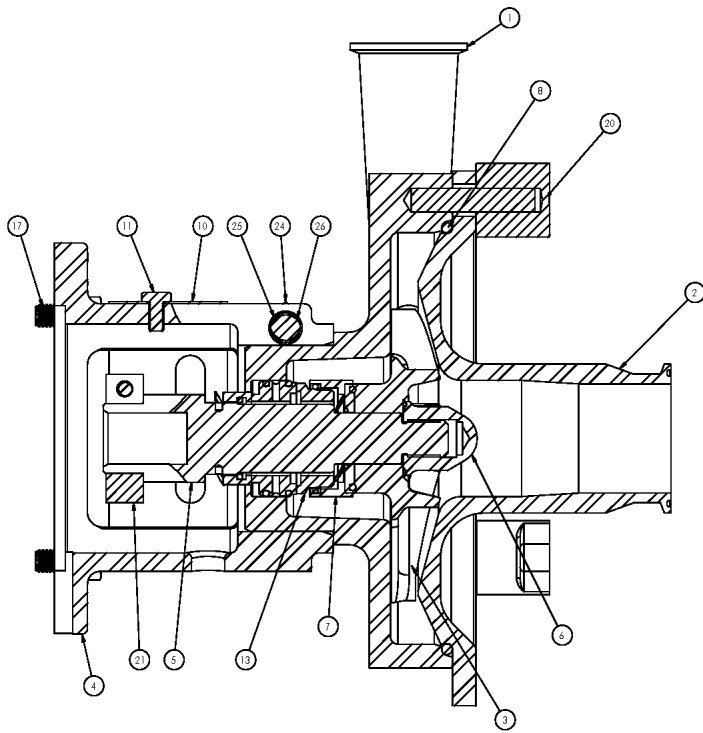
DOUBLE SEAL



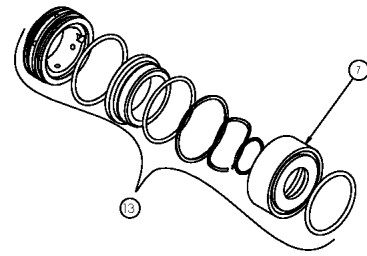
Exploded View - Seal Only

Optional Items Shown in ITALICS

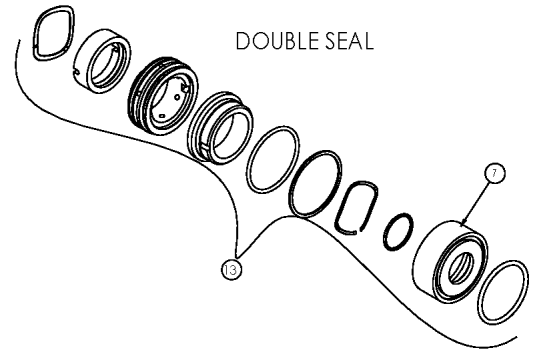
Ref #	Component Item No.	Description	Qty Per
7	SX11000037-ND	DRIVER,757,FRNT SEAL,NEW DESGN LF	1
13	GS02600651-ND	KIT,757,SGL SEAL,N/C/V,NEW DESIGN	1
	<i>GS02600639-ND</i>	<i>KIT,757,SGL SEAL,C/C/V,NEW DESIGN</i>	1
	<i>GS02600775-ND</i>	<i>KIT,757,DBL SEAL,N/C/N/V,NEW DESIGN</i>	1
	<i>GS02600640-ND</i>	<i>KIT,757,DBL SEAL,C/C/N/V,NEW DESIGN</i>	1



SINGLE SEAL



DOUBLE SEAL

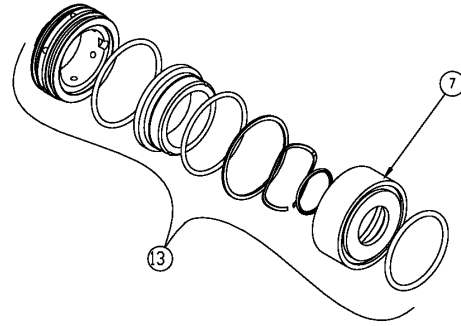


Exploded View

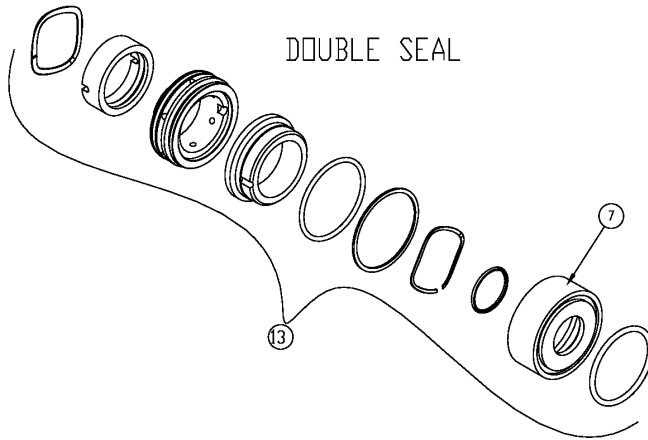
Optional Items Shown in ITALICS

Ref #	Component Item No.	Description	Qty Per
1	SV70610157	CASING,180-320TSC,2 CLMP LF R140	1
2	SC44620279	COVER,R32/R40/R132,2-1/2 CLMP L SERIES	1
	SC44620432	COVER,R32/40/132/140,3 CLAMP L SERIES	1
3	SI70630235	IMPELLER,R140,205/22,205MAX LC/LD/LF	1
4	SX10600136	ADAPTER,320TC/TSC FRAME LF 757 SEAL	1
5	SX20000005	STUBSHAFT,280TC/320TSC LF 757 SEAL	1
6	SI54000007	NUT,735,IMP,250TC-280TC	1
7	SX11000037-ND	DRIVER,757,FRNT SEAL,NEW DESGN LF	1
8	GX80000337	O-RING,R32/40/132/140,CVR,BUNA LC	1
	GX80000349	GASKET,R32/40/132/140,CVR,EPDM LC	1
	GX80000338	GASKET,R32/40/132/R140,CVR,VIT LC	1
10	SX10628135	GUARD,SHAFT,757,ADPTR LFR LFV SBI SBH	1
11	GX48104020	CAPSCRW,HX,1/4-28X3/8,18-8SS HX HD	1
12	SX15000002	KEY,56-280TSC LC	1
	SX15000023	KEY, LC, 320TSC	1
13	GS02600651-ND	KIT,757,SGL SEAL,N/C/V,NEW DESIGN	1
	GS02600639-ND	KIT,757,SGL SEAL,C/C/V,NEW DESIGN	1
	GS02600775-ND	KIT,757,DBL SEAL,N/C/N/V,NEW DESIGN	1
	GS02600640-ND	KIT,757,DBL SEAL,C/C/N/V,NEW DESIGN	1
17	GX5076700	CAPSCRW,HX,5/8-11X1-1/2,18-8SS HX HD	4
20	SX03000020	NUT,WING LC SERIES	5
21	SX18000027	COLLAR,280TC/320TSC,SHAFT LC	1
24	GX10610101	CAPSCRW,HX,1/2-13X5,18-8SS HX HD	1
	GX10610105	NUT,HEX,1/2-13,18-8SS L SERIES	1
26	GX10610405	WASHER,LCK,1/2,18-8SS L SERIES	1

SINGLE SEAL



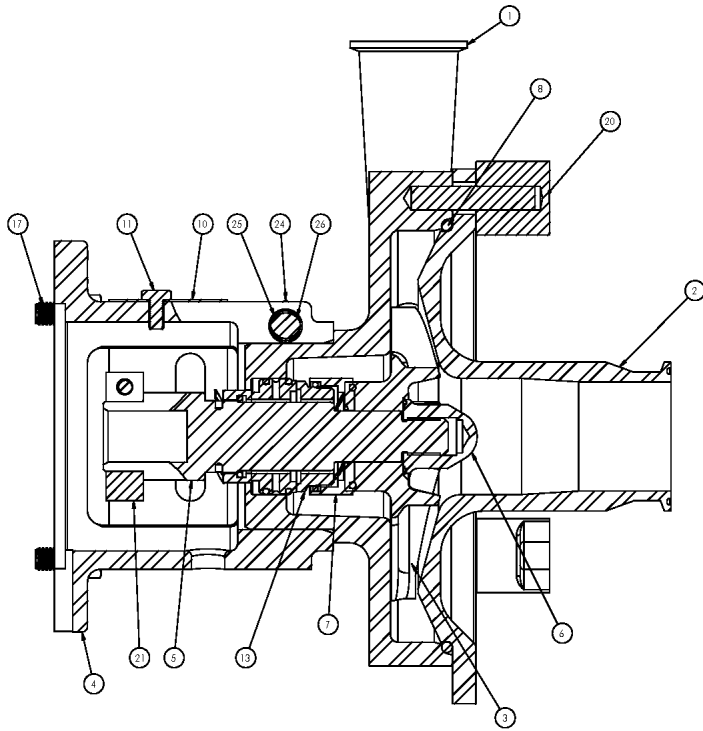
DOUBLE SEAL



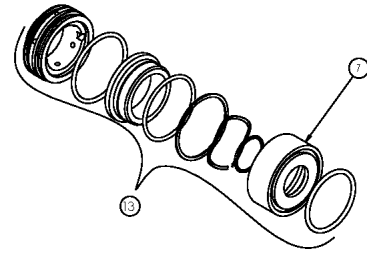
Exploded View - Seal Only

Optional Items Shown in ITALICS

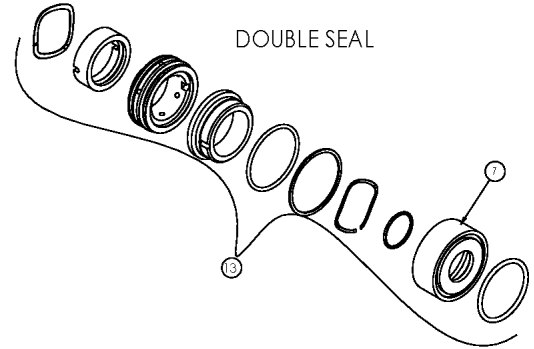
Ref #	Component Item No.	Description	Qty Per
7	SX11000037-ND	DRIVER,757,FRNT SEAL,NEW DESGN LF	1
13	GS02600651-ND	KIT,757,SGL SEAL,N/C/V,NEW DESIGN	1
	GS02600639-ND	KIT,757,SGL SEAL,C/C/V,NEW DESIGN	1
	GS02600775-ND	KIT,757,DBL SEAL,N/C/N/V,NEW DESIGN	1
	GS02600640-ND	KIT,757,DBL SEAL,C/C/N/V,NEW DESIGN	1



SINGLE SEAL



DOUBLE SEAL

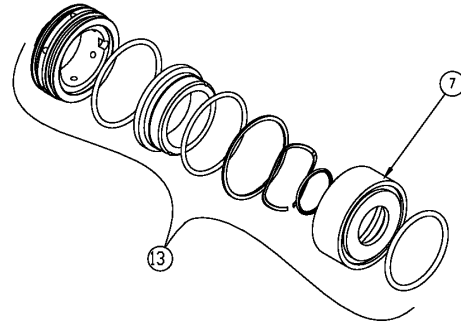


Exploded View

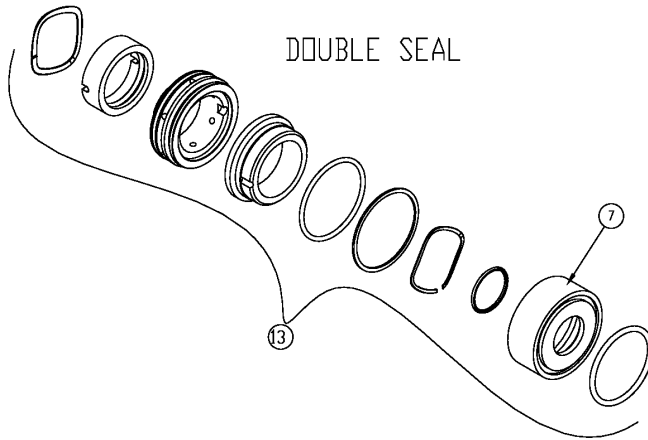
Optional Items Shown in ITALICS

Ref #	Component Item No.	Description	Qty Per
1	SV24610078	CASING,56C-210TC,1-1/2 CLMP LF R20,R31	1
2	SC24620286	COVER,R20/R31,2 CLAMP L SERIES	1
	<i>SC24620437</i>	<i>COVER,R20/R31,2-1/2 CLAMP L SERIES</i>	1
3	SI24630000	IMPELLER,R20,145/22,145MAX LF	1
4	SX10600134	ADAPTER,56C-140TC FRAME LF 757 SEAL	1
5	SX20000001	STUBSHAFT,140TC LF 757 SEAL	1
6	SI54000000	NUT,633,IMP,56C-210TC LC	1
7	SX11000037-ND	DRIVER,757,FRNT SEAL,NEW DESGN LF	1
8	GX80000334	GASKET,R20/31/V530,CVR,BUNA LC	1
	<i>GX80000351</i>	<i>GASKET,R20/31/V530,CVR,EPDM LC</i>	1
	<i>GX80000335</i>	<i>GASKET,R20/31/V530,CVR,VIT LC</i>	1
10	SX10614087	GUARD,SHAFT,56C-140TC,ADPT +BOLT LC	1
11	GX48104020	CAPSCRW,HX,1/4-28X3/8,18-8SS HX HD	1
12	SX15000002	KEY,56-280TSC LC	1
13	GS02600651-ND	KIT,757,SGL SEAL,N/C/V,NEW DESIGN	1
	<i>GS02600639-ND</i>	<i>KIT,757,SGL SEAL,C/C/V,NEW DESIGN</i>	1
	<i>GS02600775-ND</i>	<i>KIT,757,DBL SEAL,N/C/NV,NEW DESIGN</i>	1
	<i>GS02600640-ND</i>	<i>KIT,757,DBL SEAL,C/C/NV,NEW DESIGN</i>	1
17	GX5077200	CAPSCRW,HX,3/8-16X1-1/4,18-8SS HX HD	4
20	SX03000020	NUT,WING LC SERIES	3
21	SX18000013	COLLAR,56C/140TC,SHAFT L SEE ITEM NOTES	1
24	GX10610105	NUT,HEX,1/2-13,18-8SS L SERIES	1
25	GX10610100	CAPSCRW,HX,1/2-13X3-1/2,18-8SS HX HD	1
26	GX10610405	WASHER,LCK,1/2,18-8SS L SERIES	1

SINGLE SEAL



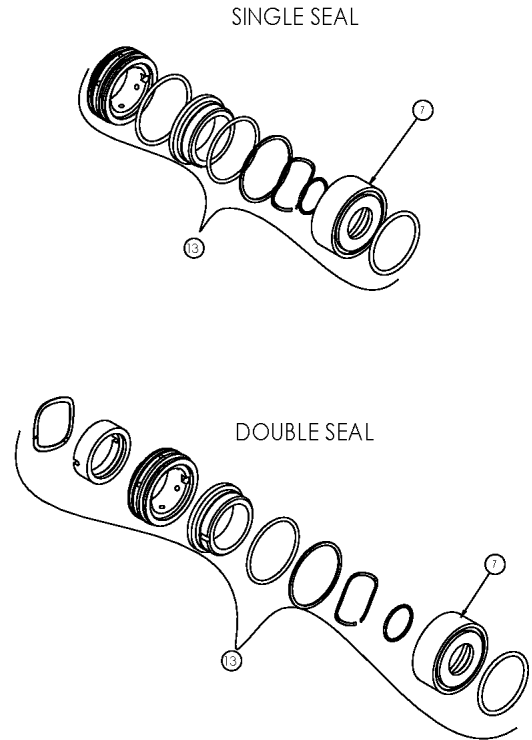
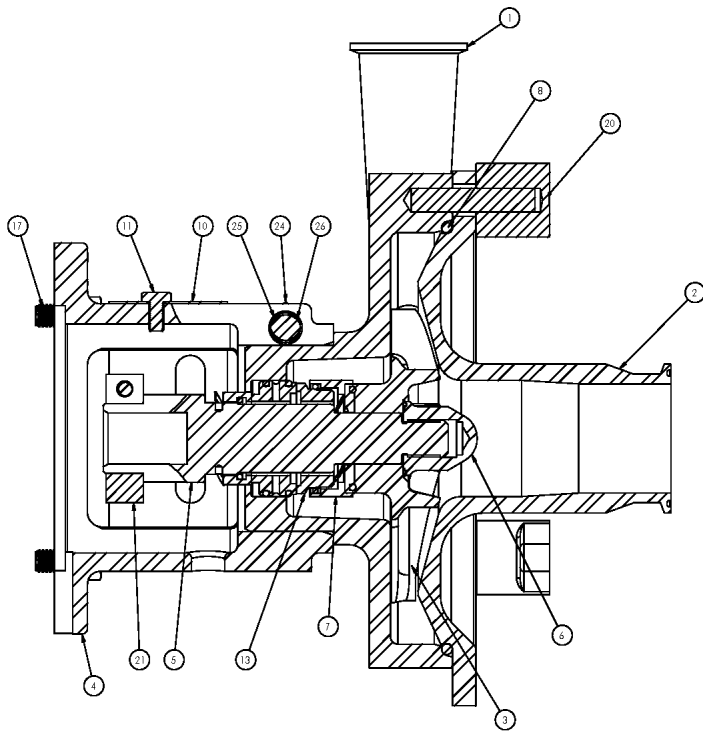
DOUBLE SEAL



Exploded View - Seal Only

Optional Items Shown in ITALICS

Ref #	Component Item No.	Description	Qty Per
7	SX1100037-ND	DRIVER,757,FRNT SEAL,NEW DESGN LF	1
13	GS02600651-ND	KIT,757,SGL SEAL,N/C/V,NEW DESIGN	1
	<i>GS02600639-ND</i>	<i>KIT,757,SGL SEAL,C/C/V,NEW DESIGN</i>	<i>1</i>
	<i>GS02600775-ND</i>	<i>KIT,757,DBL SEAL,N/C/N/V,NEW DESIGN</i>	<i>1</i>
	<i>GS02600640-ND</i>	<i>KIT,757,DBL SEAL,C/C/N/V,NEW DESIGN</i>	<i>1</i>

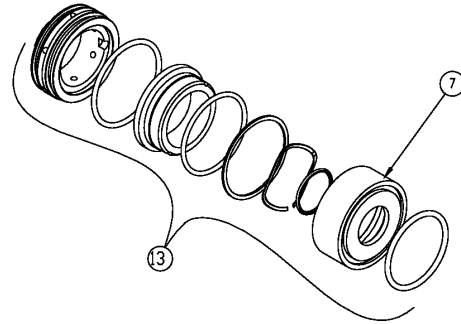


Exploded View

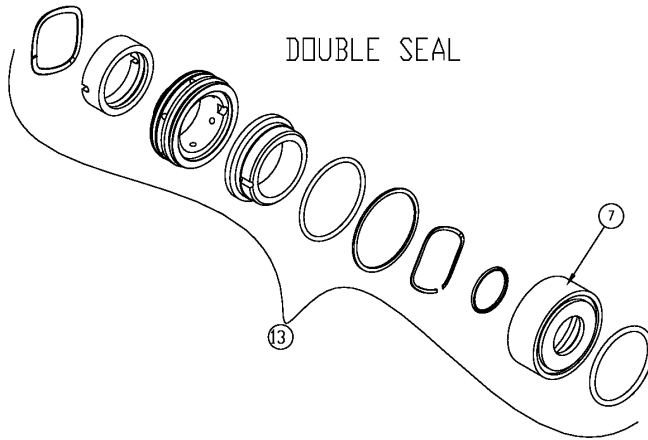
Optional Items Shown in ITALICS

Ref #	Component Item No.	Description	Qty Per
1	SV24610078	CASING,56C-210TC,1-1/2 CLMP LF R20,R31	1
2	SC24620286	COVER,R20/R31,2 CLAMP L SERIES	1
	<i>SC24620437</i>	<i>COVER,R20/R31,2-1/2 CLAMP L SERIES</i>	1
3	SI24630000	IMPELLER,R20,145/22,145MAX LF	1
4	SX10600133	ADAPTER,180-250TC FRAME LF 757 SEAL	1
5	SX20000002	STUBSHAFT,180TC LF 757 SEAL	1
6	SI54000000	NUT,633,IMP,56C-210TC LC	1
7	SX11000037-ND	DRIVER,757,FRNT SEAL,NEW DESGN LF	1
8	GX80000334	GASKET,R20/31/V530,CVR,BUNA LC	1
	<i>GX80000351</i>	<i>GASKET,R20/31/V530,CVR,EPDM LC</i>	1
	<i>GX80000335</i>	<i>GASKET,R20/31/V530,CVR,VIT LC</i>	1
10	SX10625088	GUARD,SHAFT,250TC ADPTR LC	1
11	GX48104020	CAPSCRW,HX,1/4-28X3/8,18-8SS HX HD	1
12	SX15000002	KEY,56-280TSC LC	1
13	GS02600651-ND	KIT,757,SGL SEAL,N/C/V,NEW DESIGN	1
	<i>GS02600639-ND</i>	<i>KIT,757,SGL SEAL,C/C/V,NEW DESIGN</i>	1
	<i>GS02600775-ND</i>	<i>KIT,757,DBL SEAL,N/C/NV,NEW DESIGN</i>	1
	<i>GS02600640-ND</i>	<i>KIT,757,DBL SEAL,C/C/NV,NEW DESIGN</i>	1
17	SC1710H-SS	CAPSCRW,HX,1/2-13X1,18-8SS HX HD	4
20	SX03000020	NUT,WING LC SERIES	3
21	SX18000014	COLLAR,180TC,SHAFT LC	1
24	GX10610105	NUT,HEX,1/2-13,18-8SS L SERIES	1
25	GX10610100	CAPSCRW,HX,1/2-13X3-1/2,18-8SS HX HD	1
26	GX10610405	WASHER,LCK,1/2,18-8SS L SERIES	1

SINGLE SEAL



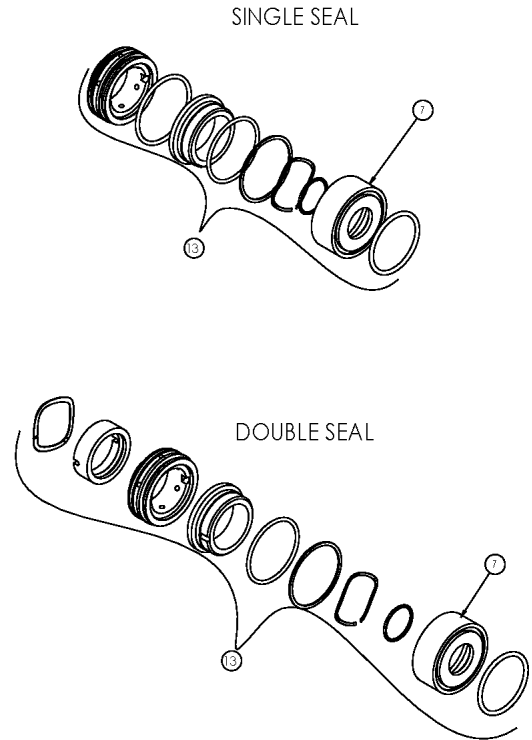
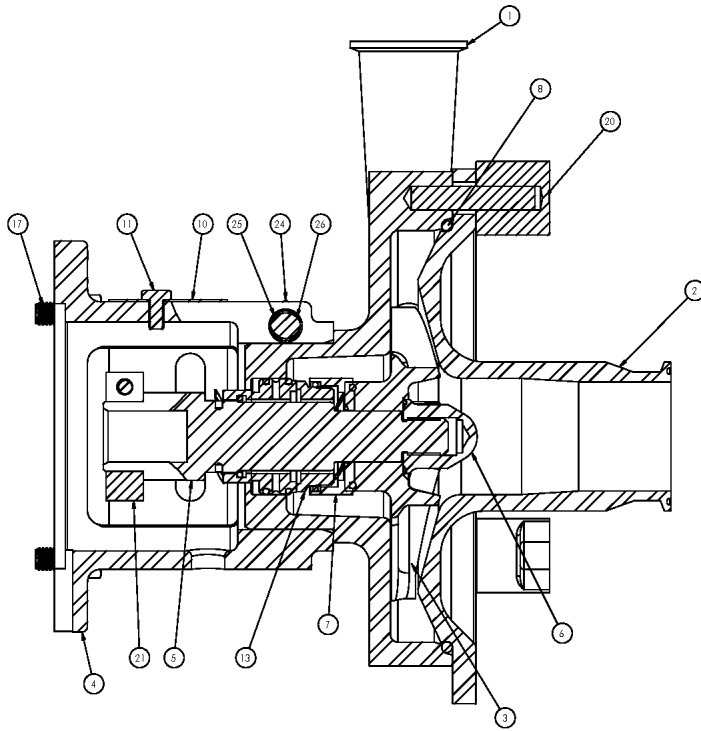
DOUBLE SEAL



Exploded View - Seal Only

Optional Items Shown in ITALICS

Ref #	Component Item No.	Description	Qty Per
7	SX11000037-ND	DRIVER,757,FRNT SEAL,NEW DESGN LF	1
13	GS02600651-ND	KIT,757,SGL SEAL,N/C/V,NEW DESIGN	1
	<i>GS02600639-ND</i>	<i>KIT,757,SGL SEAL,C/C/V,NEW DESIGN</i>	1
	<i>GS02600775-ND</i>	<i>KIT,757,DBL SEAL,N/C/N/V,NEW DESIGN</i>	1
	<i>GS02600640-ND</i>	<i>KIT,757,DBL SEAL,C/C/N/V,NEW DESIGN</i>	1

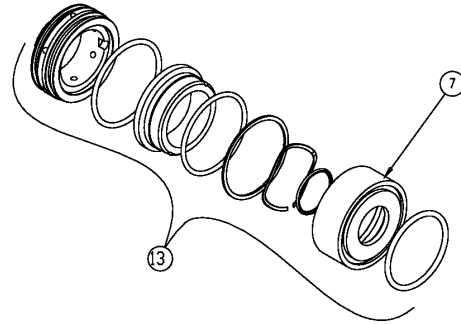


Exploded View

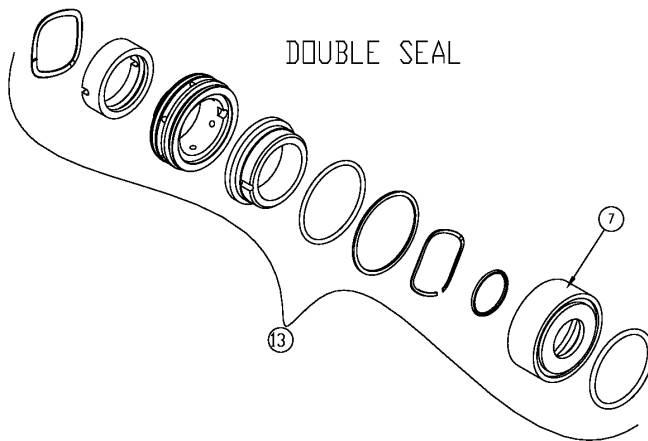
Optional Items Shown in ITALICS

Ref #	Component Item No.	Description	Qty Per
1	SV24610078	CASING,56C-210TC,1-1/2 CLMP LF R20,R31	1
2	SC24620286	COVER,R20/R31,2 CLAMP L SERIES	1
	<i>SC24620437</i>	<i>COVER,R20/R31,2-1/2 CLAMP L SERIES</i>	1
3	SI24630000	IMPELLER,R20,145/22,145MAX LF	1
4	SX10600133	ADAPTER,180-250TC FRAME LF 757 SEAL	1
5	SX20000003	STUBSHAFT,210TC LF 757 SEAL	1
6	SI54000000	NUT,633,IMP,56C-210TC LC	1
7	SX11000037-ND	DRIVER,757,FRNT SEAL,NEW DESGN LF	1
8	GX80000334	GASKET,R20/31/V530,CVR,BUNA LC	1
	<i>GX80000351</i>	<i>GASKET,R20/31/V530,CVR,EPDM LC</i>	1
	<i>GX80000335</i>	<i>GASKET,R20/31/V530,CVR,VIT LC</i>	1
10	SX10625088	GUARD,SHAFT,250TC ADPTR LC	1
11	GX48104020	CAPSCRW,HX,1/4-28X3/8,18-8SS HX HD	1
12	SX15000002	KEY,56-280TSC LC	1
13	GS02600651-ND	KIT,757,SGL SEAL,N/C/V,NEW DESIGN	1
	<i>GS02600639-ND</i>	<i>KIT,757,SGL SEAL,C/C/V,NEW DESIGN</i>	1
	<i>GS02600775-ND</i>	<i>KIT,757,DBL SEAL,N/C/NV,NEW DESIGN</i>	1
	<i>GS02600640-ND</i>	<i>KIT,757,DBL SEAL,C/C/NV,NEW DESIGN</i>	1
17	SC1710H-SS	CAPSCRW,HX,1/2-13X1,18-8SS HX HD	4
20	SX03000020	NUT,WING LC SERIES	3
21	SX18000015	COLLAR,210TC,SHAFT LC	1
24	GX10610105	NUT,HEX,1/2-13,18-8SS L SERIES	1
25	GX10610100	CAPSCRW,HX,1/2-13X3-1/2,18-8SS HX HD	1
26	GX10610405	WASHER,LCK,1/2,18-8SS L SERIES	1

SINGLE SEAL



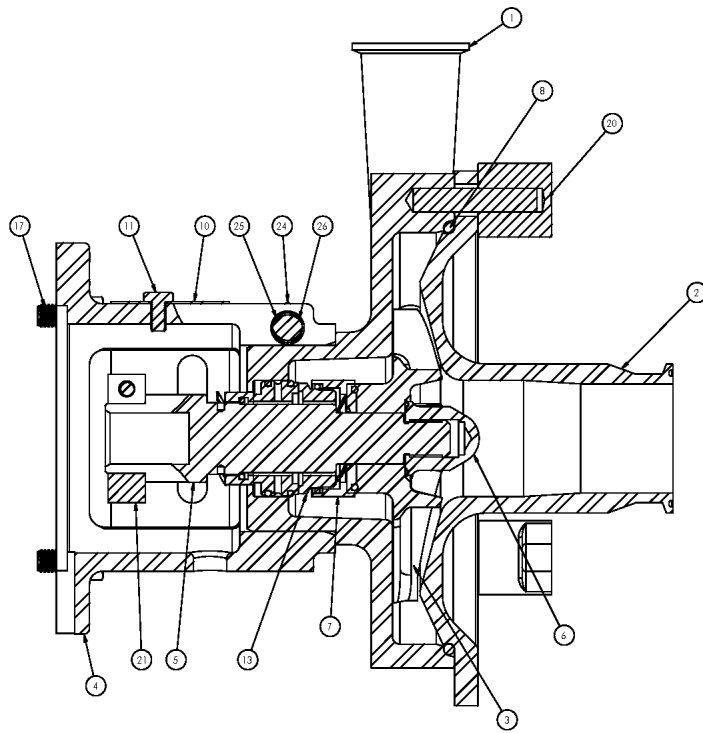
DOUBLE SEAL



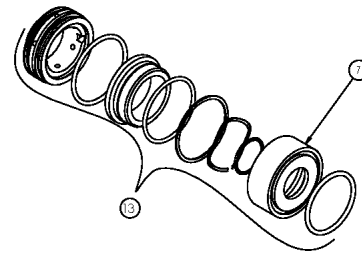
Exploded View - Seal Only

Optional Items Shown in ITALICS

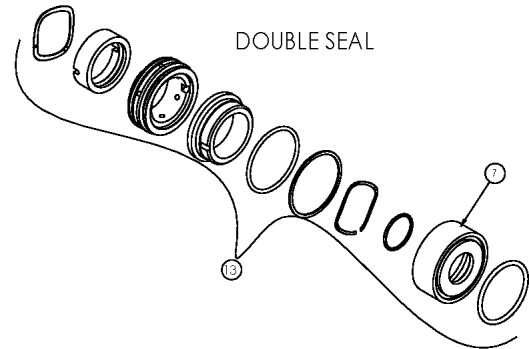
Ref #	Component Item No.	Description	Qty Per
7	SX11000037-ND	DRIVER,757,FRNT SEAL,NEW DESGN LF	1
13	GS02600651-ND	KIT,757,SGL SEAL,N/C/V,NEW DESIGN	1
	<i>GS02600639-ND</i>	<i>KIT,757,SGL SEAL,C/C/V,NEW DESIGN</i>	<i>1</i>
	<i>GS02600775-ND</i>	<i>KIT,757,DBL SEAL,N/C/N/V,NEW DESIGN</i>	<i>1</i>
	<i>GS02600640-ND</i>	<i>KIT,757,DBL SEAL,C/C/N/V,NEW DESIGN</i>	<i>1</i>



SINGLE SEAL



DOUBLE SEAL

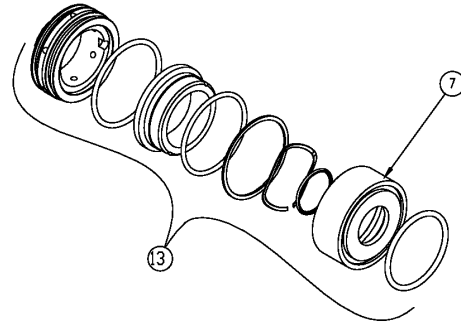


Exploded View

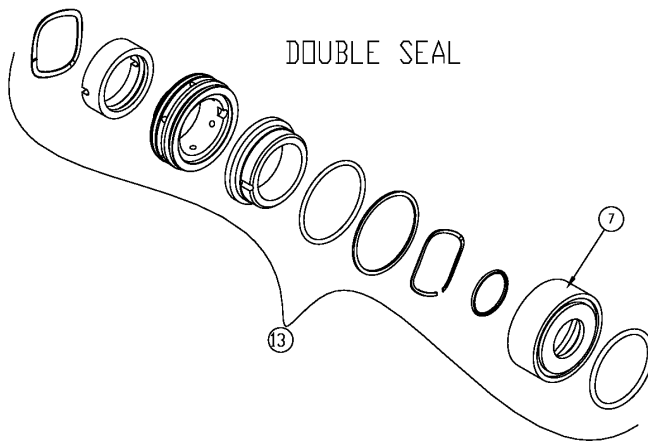
Optional Items Shown in ITALICS

Ref #	Component Item No.	Description	Qty Per
1	SV24610078	CASING,56C-210TC,1-1/2 CLMP LF R20,R31	1
2	SC24620286	COVER,R20/R31,2 CLAMP L SERIES	1
	<i>SC24620437</i>	<i>COVER,R20/R31,2-1/2 CLAMP L SERIES</i>	1
3	SI24630040	IMPELLER,R20 E,170/22,170MAX LM	1
4	SX10600133	ADAPTER,180-250TC FRAME LF 757 SEAL	1
5	SX20000002	STUBSHAFT,180TC LF 757 SEAL	1
6	SI54000000	NUT,633,IMP,56C-210TC LC	1
7	SX11000037-ND	DRIVER,757,FRNT SEAL,NEW DESGN LF	1
8	GX80000334	GASKET,R20/31/V530,CVR,BUNA LC	1
	<i>GX80000351</i>	<i>GASKET,R20/31/V530,CVR,EPDM LC</i>	1
	<i>GX80000335</i>	<i>GASKET,R20/31/V530,CVR,VIT LC</i>	1
10	SX10625088	GUARD,SHAFT,250TC ADPTR LC	1
11	GX48104020	CAPSCRW,HX,1/4-28X3/8,18-8SS HX HD	1
12	SX15000002	KEY,56-280TSC LC	1
13	GS02600651-ND	KIT,757,SGL SEAL,N/C/V,NEW DESIGN	1
	<i>GS02600639-ND</i>	<i>KIT,757,SGL SEAL,C/C/V,NEW DESIGN</i>	1
	<i>GS02600775-ND</i>	<i>KIT,757,DBL SEAL,N/C/NV,NEW DESIGN</i>	1
	<i>GS02600640-ND</i>	<i>KIT,757,DBL SEAL,C/C/NV,NEW DESIGN</i>	1
17	SC1710H-SS	CAPSCRW,HX,1/2-13X1,18-8SS HX HD	4
20	SX03000020	NUT,WING LC SERIES	3
21	SX18000014	COLLAR,180TC,SHAFT LC	1
24	GX10610105	NUT,HEX,1/2-13,18-8SS L SERIES	1
25	GX10610100	CAPSCRW,HX,1/2-13X3-1/2,18-8SS HX HD	1
26	GX10610405	WASHER,LCK,1/2,18-8SS L SERIES	1

SINGLE SEAL



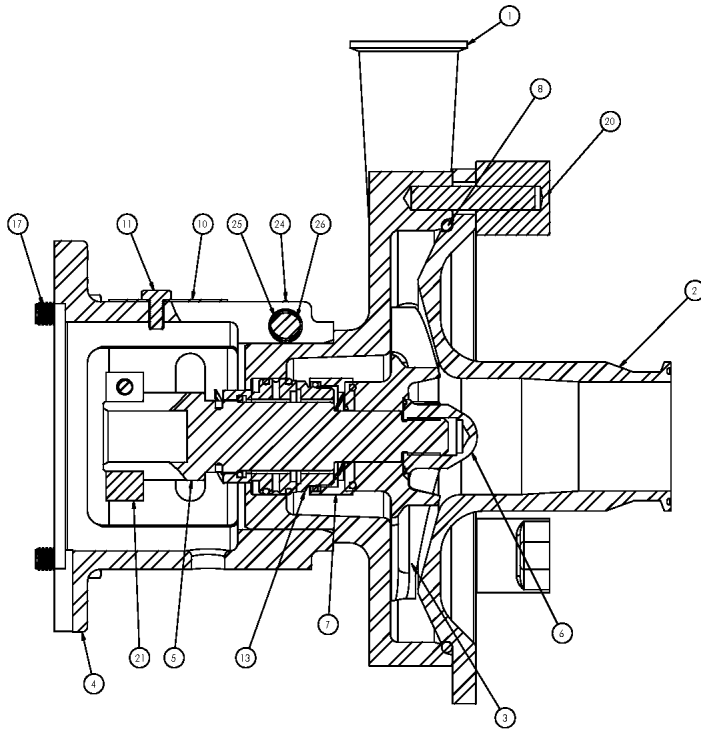
DOUBLE SEAL



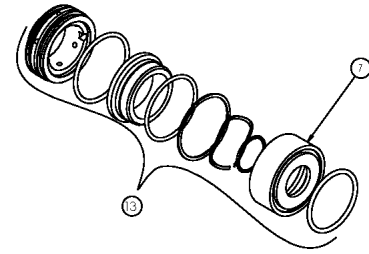
Exploded View - Seal Only

Optional Items Shown in ITALICS

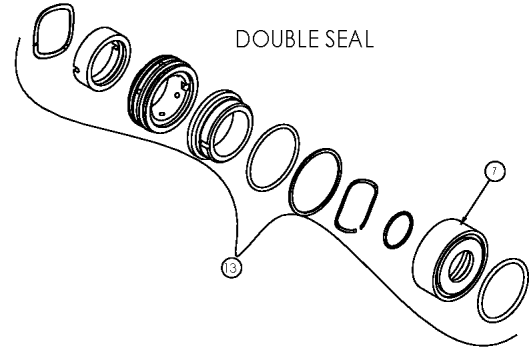
Ref #	Component Item No.	Description	Qty Per
7	SX11000037-ND	DRIVER,757,FRNT SEAL,NEW DESGN LF	1
13	GS02600651-ND	KIT,757,SGL SEAL,N/C/V,NEW DESIGN	1
	<i>GS02600639-ND</i>	<i>KIT,757,SGL SEAL,C/C/V,NEW DESIGN</i>	<i>1</i>
	<i>GS02600775-ND</i>	<i>KIT,757,DBL SEAL,N/C/N/V,NEW DESIGN</i>	<i>1</i>
	<i>GS02600640-ND</i>	<i>KIT,757,DBL SEAL,C/C/N/V,NEW DESIGN</i>	<i>1</i>



SINGLE SEAL



DOUBLE SEAL

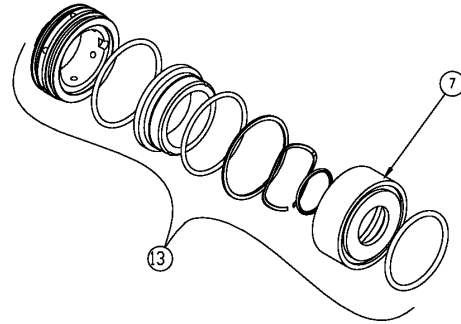


Exploded View

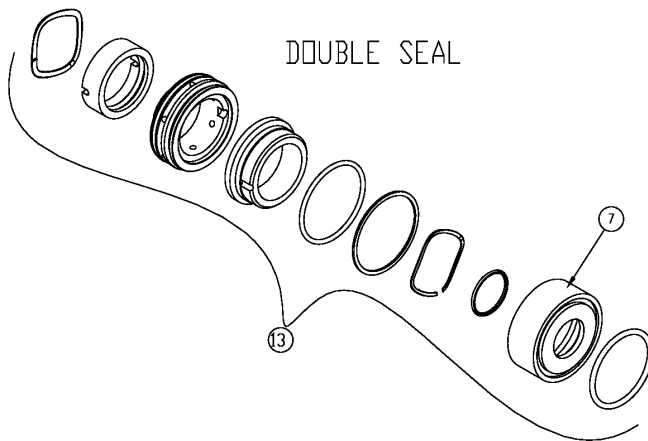
Optional Items Shown in ITALICS

Ref #	Component Item No.	Description	Qty Per
1	SV24610078	CASING,56C-210TC,1-1/2 CLMP LF R20,R31	1
2	SC24620286	COVER,R20/R31,2 CLAMP L SERIES	1
	SC24620437	COVER,R20/R31,2-1/2 CLAMP L SERIES	1
3	SI24630040	IMPELLER,R20 E,170/22,170MAX LM	1
4	SX10600133	ADAPTER,180-250TC FRAME LF 757 SEAL	1
5	SX20000003	STUBSHAFT,210TC LF 757 SEAL	1
6	SI54000000	NUT,633,IMP,56C-210TC LC	1
7	SX11000037-ND	DRIVER,757,FRNT SEAL,NEW DESGN LF	1
8	GX80000334	GASKET,R20/31/V530,CVR,BUNA LC	1
	GX80000351	GASKET,R20/31/V530,CVR,EPDM LC	1
	GX80000335	GASKET,R20/31/V530,CVR,VIT LC	1
10	SX10625088	GUARD,SHAFT,250TC ADPTR LC	1
11	GX48104020	CAPSCRW,HX,1/4-28X3/8,18-8SS HX HD	1
12	SX15000002	KEY,56-280TSC LC	1
13	GS02600651-ND	KIT,757,SGL SEAL,N/C/V,NEW DESIGN	1
	GS02600639-ND	KIT,757,SGL SEAL,C/C/V,NEW DESIGN	1
	GS02600775-ND	KIT,757,DBL SEAL,N/C/NV,NEW DESIGN	1
	GS02600640-ND	KIT,757,DBL SEAL,C/C/NV,NEW DESIGN	1
17	SC1710H-SS	CAPSCRW,HX,1/2-13X1,18-8SS HX HD	4
20	SX03000020	NUT,WING LC SERIES	3
21	SX18000015	COLLAR,210TC,SHAFT LC	1
24	GX10610105	NUT,HEX,1/2-13,18-8SS L SERIES	1
25	GX10610100	CAPSCRW,HX,1/2-13X3-1/2,18-8SS HX HD	1
26	GX10610405	WASHER,LCK,1/2,18-8SS L SERIES	1

SINGLE SEAL



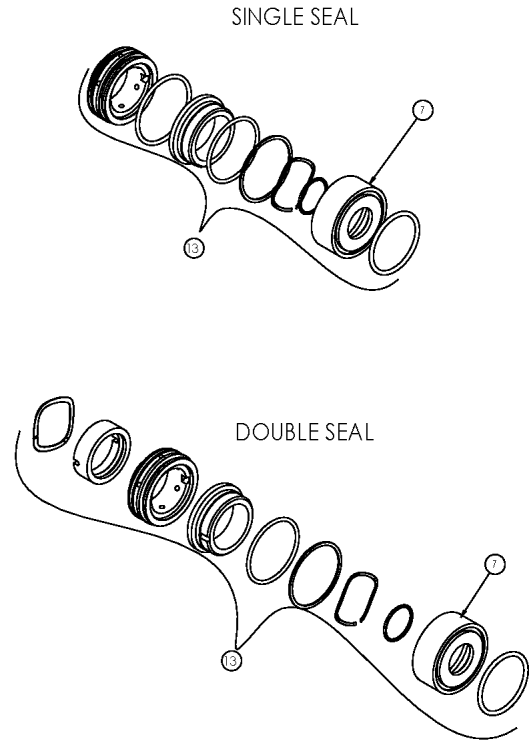
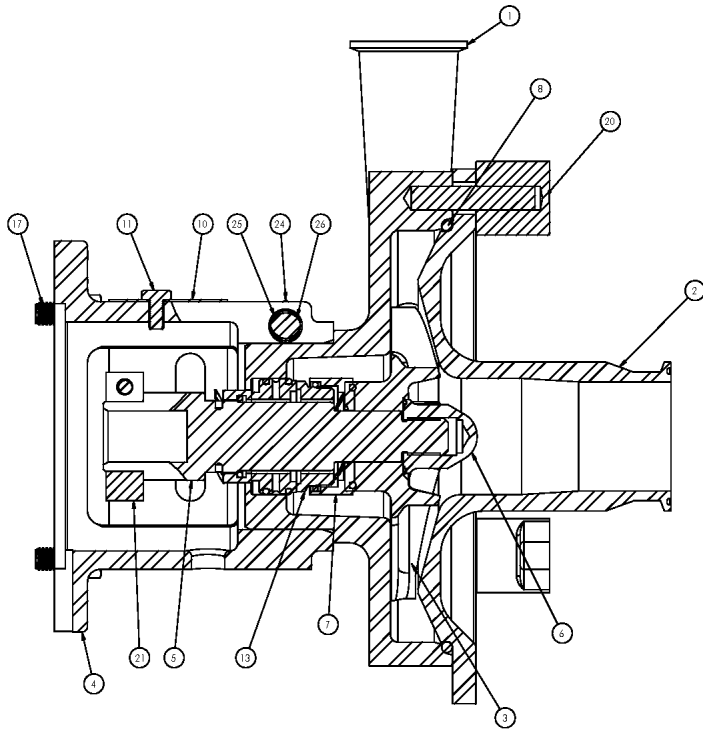
DOUBLE SEAL



Exploded View - Seal Only

Optional Items Shown in ITALICS

Ref #	Component Item No.	Description	Qty Per
7	SX11000037-ND	DRIVER,757,FRNT SEAL,NEW DESGN LF	1
13	GS02600651-ND	KIT,757,SGL SEAL,N/C/V,NEW DESIGN	1
	<i>GS02600639-ND</i>	<i>KIT,757,SGL SEAL,C/C/V,NEW DESIGN</i>	1
	<i>GS02600775-ND</i>	<i>KIT,757,DBL SEAL,N/C/N/V,NEW DESIGN</i>	1
	<i>GS02600640-ND</i>	<i>KIT,757,DBL SEAL,C/C/N/V,NEW DESIGN</i>	1

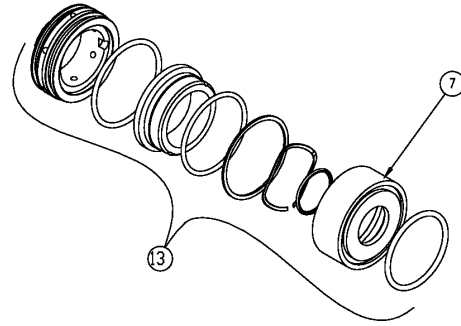


Exploded View

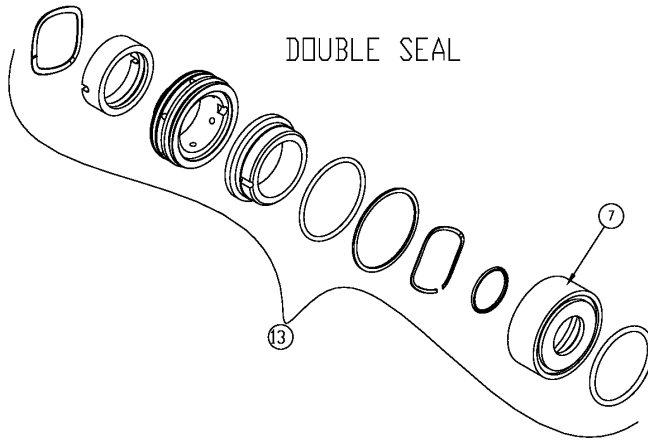
Optional Items Shown in ITALICS

Ref #	Component Item No.	Description	Qty Per
1	SV24610078	CASING,56C-210TC,1-1/2 CLMP LF R20,R31	1
2	SC24620286	COVER,R20/R31,2 CLAMP L SERIES	1
	SC24620437	COVER,R20/R31,2-1/2 CLAMP L SERIES	1
3	SI24630001	IMPELLER,R31,173/22,173MAX LF	1
4	SX10600134	ADAPTER,56C-140TC FRAME LF 757 SEAL	1
5	SX20000001	STUBSHAFT,140TC LF 757 SEAL	1
6	SI54000000	NUT,633,IMP,56C-210TC LC	1
7	SX11000037-ND	DRIVER,757,FRNT SEAL,NEW DESGN LF	1
8	GX80000334	GASKET,R20/31/V530,CVR,BUNA LC	1
	GX80000351	GASKET,R20/31/V530,CVR,EPDM LC	1
	GX80000335	GASKET,R20/31/V530,CVR,VIT LC	1
10	SX10614087	GUARD,SHAFT,56C-140TC,ADPT +BOLT LC	1
11	GX48104020	CAPSCRW,HX,1/4-28X3/8,18-8SS HX HD	1
12	SX15000002	KEY,56-280TSC LC	1
13	GS02600651-ND	KIT,757,SGL SEAL,N/C/V,NEW DESIGN	1
	GS02600639-ND	KIT,757,SGL SEAL,C/C/V,NEW DESIGN	1
	GS02600775-ND	KIT,757,DBL SEAL,N/C/NV,NEW DESIGN	1
	GS02600640-ND	KIT,757,DBL SEAL,C/C/NV,NEW DESIGN	1
17	GX5077200	CAPSCRW,HX,3/8-16X1-1/4,18-8SS HX HD	4
20	SX03000020	NUT,WING LC SERIES	3
21	SX18000013	COLLAR,56C/140TC,SHAFT L SEE ITEM NOTES	1
24	GX10610105	NUT,HEX,1/2-13,18-8SS L SERIES	1
25	GX10610100	CAPSCRW,HX,1/2-13X3-1/2,18-8SS HX HD	1
26	GX10610405	WASHER,LCK,1/2,18-8SS L SERIES	1

SINGLE SEAL



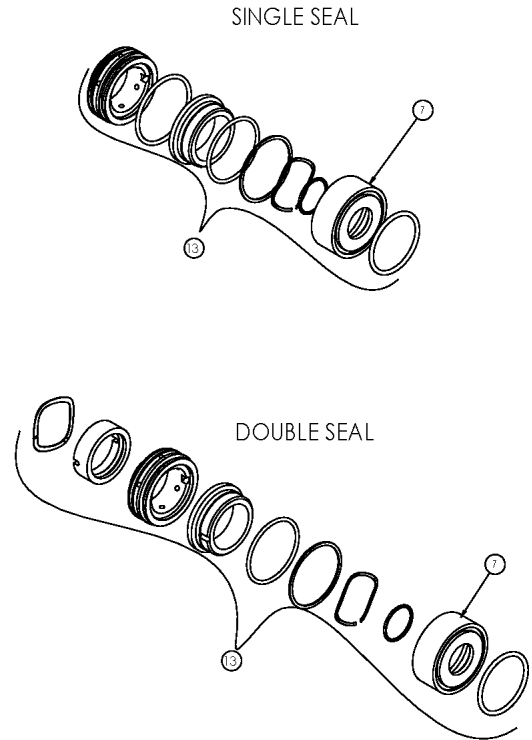
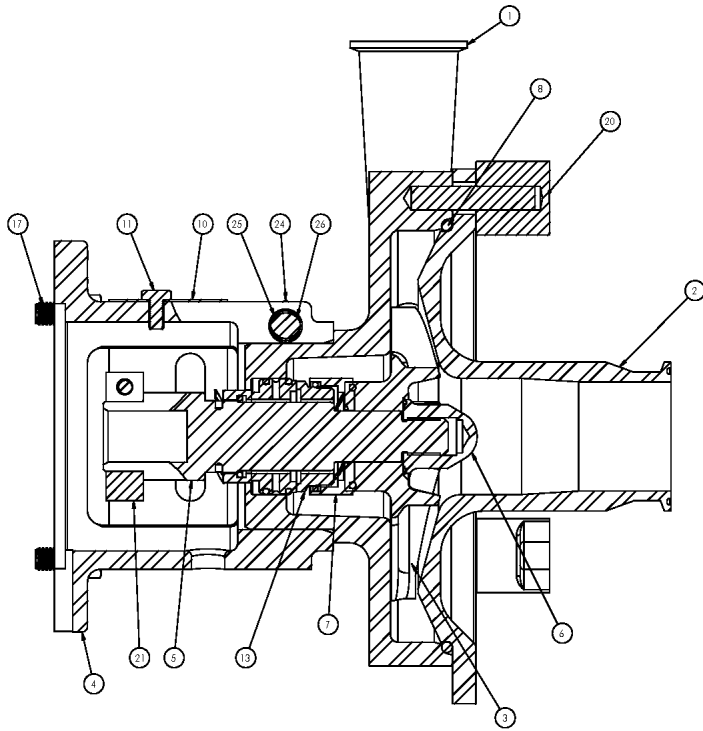
DOUBLE SEAL



Exploded View - Seal Only

Optional Items Shown in ITALICS

Ref #	Component Item No.	Description	Qty Per
7	SX1100037-ND	DRIVER,757,FRNT SEAL,NEW DESGN LF	1
13	GS02600651-ND	KIT,757,SGL SEAL,N/C/V,NEW DESIGN	1
	<i>GS02600639-ND</i>	<i>KIT,757,SGL SEAL,C/C/V,NEW DESIGN</i>	<i>1</i>
	<i>GS02600775-ND</i>	<i>KIT,757,DBL SEAL,N/C/N/V,NEW DESIGN</i>	<i>1</i>
	<i>GS02600640-ND</i>	<i>KIT,757,DBL SEAL,C/C/N/V,NEW DESIGN</i>	<i>1</i>

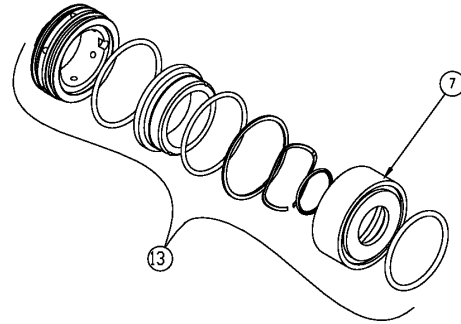


Exploded View

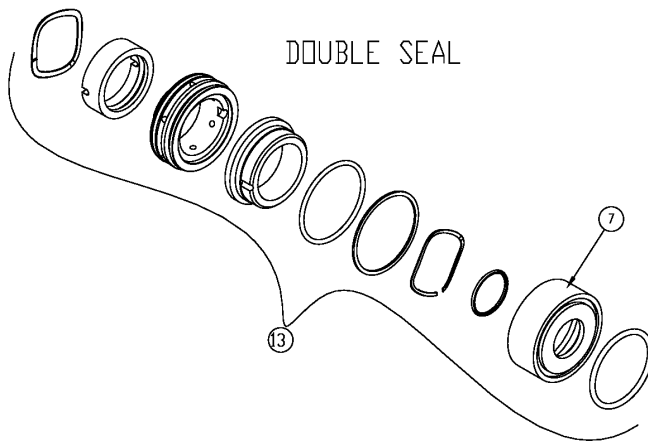
Optional Items Shown in ITALICS

Ref #	Component Item No.	Description	Qty Per
1	SV24610078	CASING,56C-210TC,1-1/2 CLMP LF R20,R31	1
2	SC24620286	COVER,R20/R31,2 CLAMP L SERIES	1
	SC24620437	COVER,R20/R31,2-1/2 CLAMP L SERIES	1
3	SI24630001	IMPELLER,R31,173/22,173MAX LF	1
4	SX10600133	ADAPTER,180-250TC FRAME LF 757 SEAL	1
5	SX20000002	STUBSHAFT,180TC LF 757 SEAL	1
6	SI54000000	NUT,633,IMP,56C-210TC LC	1
7	SX11000037-ND	DRIVER,757,FRNT SEAL,NEW DESGN LF	1
8	GX80000334	GASKET,R20/31/V530,CVR,BUNA LC	1
	GX80000351	GASKET,R20/31/V530,CVR,EPDM LC	1
	GX80000335	GASKET,R20/31/V530,CVR,VIT LC	1
10	SX10625088	GUARD,SHAFT,250TC ADPTR LC	1
11	GX48104020	CAPSCRW,HX,1/4-28X3/8,18-8SS HX HD	1
12	SX15000002	KEY,56-280TSC LC	1
13	GS02600651-ND	KIT,757,SGL SEAL,N/C/V,NEW DESIGN	1
	GS02600639-ND	KIT,757,SGL SEAL,C/C/V,NEW DESIGN	1
	GS02600775-ND	KIT,757,DBL SEAL,N/C/NV,NEW DESIGN	1
	GS02600640-ND	KIT,757,DBL SEAL,C/C/NV,NEW DESIGN	1
17	SC1710H-SS	CAPSCRW,HX,1/2-13X1,18-8SS HX HD	4
20	SX03000020	NUT,WING LC SERIES	3
21	SX18000014	COLLAR,180TC,SHAFT LC	1
24	GX10610105	NUT,HEX,1/2-13,18-8SS L SERIES	1
25	GX10610100	CAPSCRW,HX,1/2-13X3-1/2,18-8SS HX HD	1
26	GX10610405	WASHER,LCK,1/2,18-8SS L SERIES	1

SINGLE SEAL



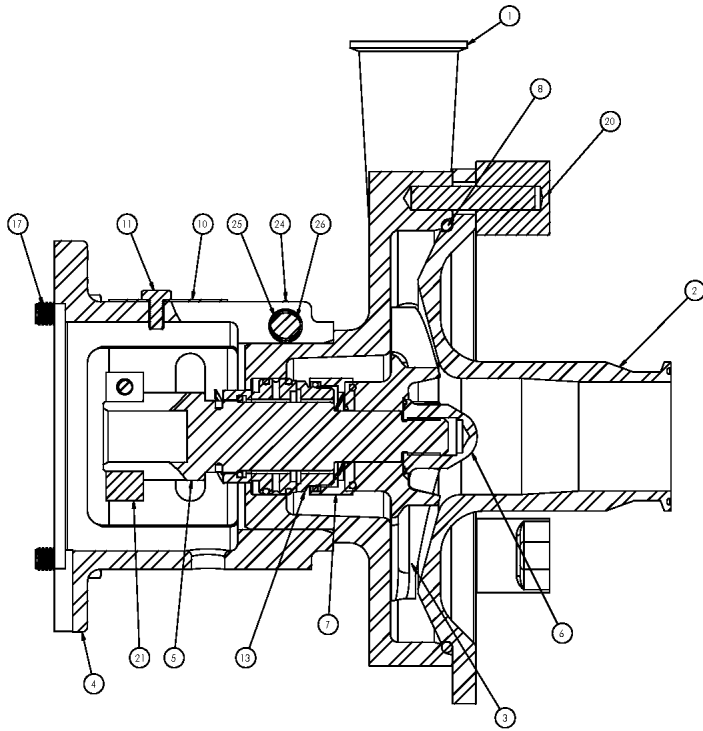
DOUBLE SEAL



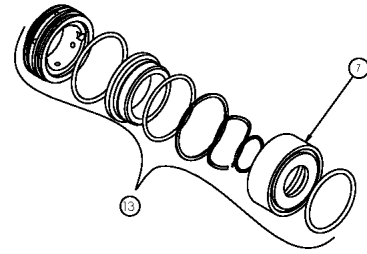
Exploded View - Seal Only

Optional Items Shown in ITALICS

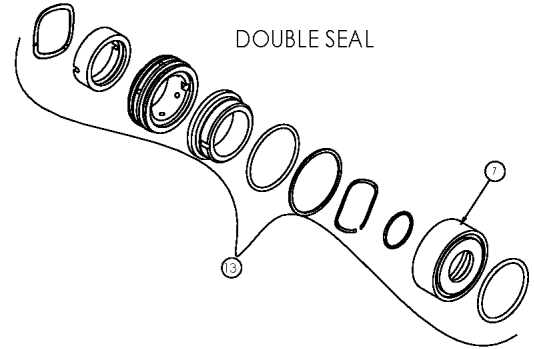
Ref #	Component Item No.	Description	Qty Per
7	SX11000037-ND	DRIVER,757,FRNT SEAL,NEW DESGN LF	1
13	GS02600651-ND	KIT,757,SGL SEAL,N/C/V,NEW DESIGN	1
	<i>GS02600639-ND</i>	<i>KIT,757,SGL SEAL,C/C/V,NEW DESIGN</i>	<i>1</i>
	<i>GS02600775-ND</i>	<i>KIT,757,DBL SEAL,N/C/N/V,NEW DESIGN</i>	<i>1</i>
	<i>GS02600640-ND</i>	<i>KIT,757,DBL SEAL,C/C/N/V,NEW DESIGN</i>	<i>1</i>



SINGLE SEAL



DOUBLE SEAL

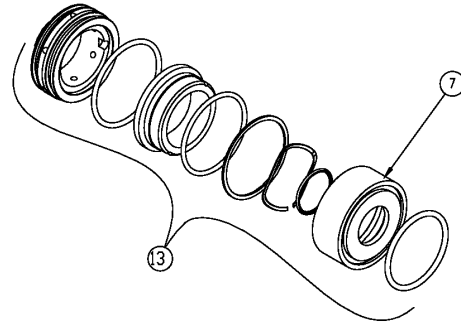


Exploded View

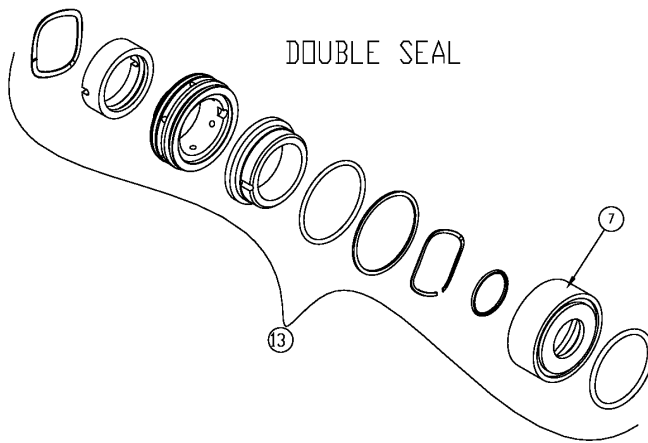
Optional Items Shown in ITALICS

Ref #	Component Item No.	Description	Qty Per
1	SV24610078	CASING,56C-210TC,1-1/2 CLMP LF R20,R31	1
2	SC24620286	COVER,R20/R31,2 CLAMP L SERIES	1
	<i>SC24620437</i>	<i>COVER,R20/R31,2-1/2 CLAMP L SERIES</i>	1
3	SI24630001	IMPELLER,R31,173/22,173MAX LF	1
4	SX10600133	ADAPTER,180-250TC FRAME LF 757 SEAL	1
5	SX20000003	STUBSHAFT,210TC LF 757 SEAL	1
6	SI54000000	NUT,633,IMP,56C-210TC LC	1
7	SX11000037-ND	DRIVER,757,FRNT SEAL,NEW DESGN LF	1
8	GX80000334	GASKET,R20/31/V530,CVR,BUNA LC	1
	<i>GX80000351</i>	<i>GASKET,R20/31/V530,CVR,EPDM LC</i>	1
	<i>GX80000335</i>	<i>GASKET,R20/31/V530,CVR,VIT LC</i>	1
10	SX10625088	GUARD,SHAFT,250TC ADPTR LC	1
11	GX48104020	CAPSCRW,HX,1/4-28X3/8,18-8SS HX HD	1
12	SX15000002	KEY,56-280TSC LC	1
13	GS02600651-ND	KIT,757,SGL SEAL,N/C/V,NEW DESIGN	1
	<i>GS02600639-ND</i>	<i>KIT,757,SGL SEAL,C/C/V,NEW DESIGN</i>	1
	<i>GS02600775-ND</i>	<i>KIT,757,DBL SEAL,N/C/NV,NEW DESIGN</i>	1
	<i>GS02600640-ND</i>	<i>KIT,757,DBL SEAL,C/C/NV,NEW DESIGN</i>	1
17	SC1710H-SS	CAPSCRW,HX,1/2-13X1,18-8SS HX HD	4
20	SX03000020	NUT,WING LC SERIES	3
21	SX18000015	COLLAR,210TC,SHAFT LC	1
24	GX10610105	NUT,HEX,1/2-13,18-8SS L SERIES	1
25	GX10610100	CAPSCRW,HX,1/2-13X3-1/2,18-8SS HX HD	1
26	GX10610405	WASHER,LCK,1/2,18-8SS L SERIES	1

SINGLE SEAL



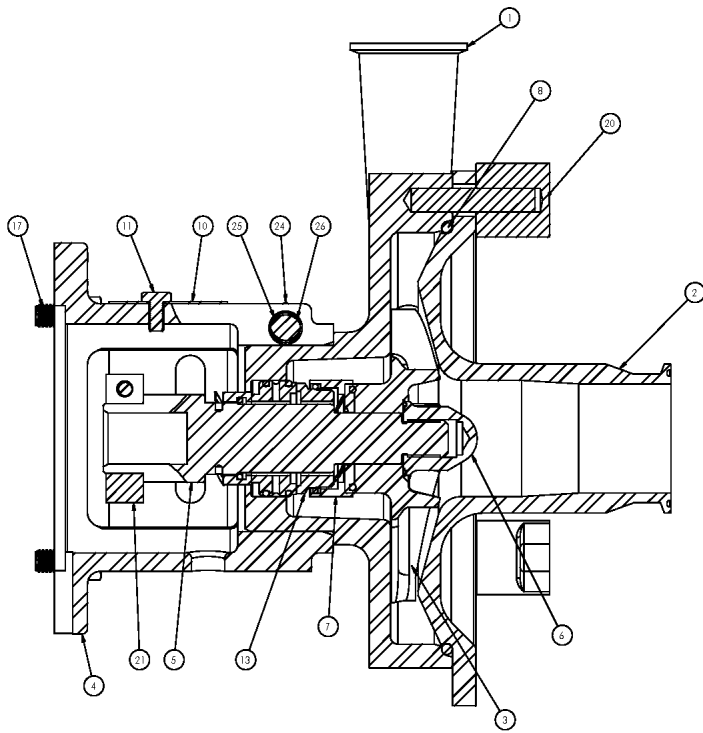
DOUBLE SEAL



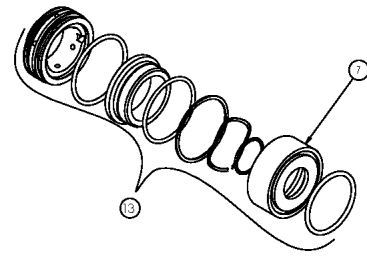
Exploded View - Seal Only

Optional Items Shown in ITALICS

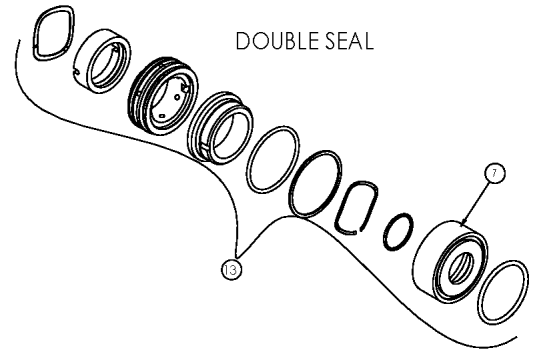
Ref #	Component Item No.	Description	Qty Per
7	SX11000037-ND	DRIVER,757,FRNT SEAL,NEW DESGN LF	1
13	GS02600651-ND	KIT,757,SGL SEAL,N/C/V,NEW DESIGN	1
	<i>GS02600639-ND</i>	<i>KIT,757,SGL SEAL,C/C/V,NEW DESIGN</i>	1
	<i>GS02600775-ND</i>	<i>KIT,757,DBL SEAL,N/C/N/V,NEW DESIGN</i>	1
	<i>GS02600640-ND</i>	<i>KIT,757,DBL SEAL,C/C/N/V,NEW DESIGN</i>	1



SINGLE SEAL



DOUBLE SEAL

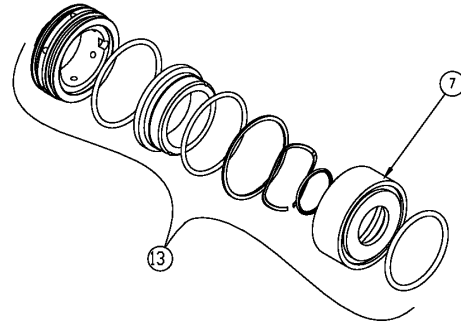


Exploded View

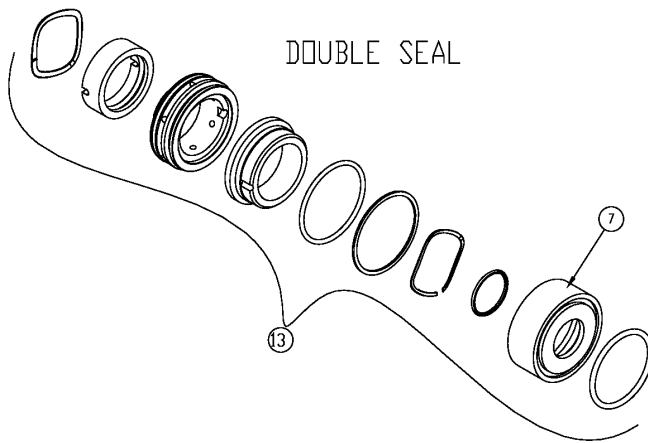
Optional Items Shown in *ITALICS*

Ref #	Component Item No.	Description	Qty Per
1	SV44610175	CASING,140-250TC,2 CLMP LF R40	1
2	SC44620279	COVER,R32/R40/R132,2-1/2 CLMP L SERIES	1
	SC44620432	COVER,R32/40/132/140,3 CLAMP L SERIES	1
3	SI44630003	IMPELLER,R40,205/22,205MAX LF	1
4	SX10600134	ADAPTER,56C-140TC FRAME LF 757 SEAL	1
5	SX20000001	STUBSHAFT,140TC LF 757 SEAL	1
6	SI54000007	NUT,735,IMP,250TC-280TC	1
7	SX11000037-ND	DRIVER,757,FRNT SEAL,NEW DESGN LF	1
8	GX80000337	O-RING,R32/40/132/140,CVR,BUNA LC	1
	GX80000349	GASKET,R32/40/132/140,CVR,EPDM LC	1
	GX80000338	GASKET,R32/40/132/R140,CVR,VIT LC	1
10	SX10614087	GUARD,SHAFT,56C-140TC,ADPT +BOLT LC	1
11	GX48104020	CAPSCRW,HX,1/4-28X3/8,18-8SS HX HD	1
12	SX15000002	KEY,56-280TSC LC	1
13	GS02600651-ND	KIT,757,SGL SEAL,N/C/V,NEW DESIGN	1
	GS02600639-ND	KIT,757,SGL SEAL,C/C/V,NEW DESIGN	1
	GS02600775-ND	KIT,757,DBL SEAL,N/C/N/V,NEW DESIGN	1
	GS02600640-ND	KIT,757,DBL SEAL,C/C/N/V,NEW DESIGN	1
17	GX5077200	CAPSCRW,HX,3/8-16X1-1/4,18-8SS HX HD	4
20	SX03000020	NUT,WING LC SERIES	5
21	SX18000013	COLLAR,56C/140TC,SHAFT L SEE ITEM NOTES	1
24	GX10610105	NUT,HEX,1/2-13,18-8SS L SERIES	1
25	GX10610100	CAPSCRW,HX,1/2-13X3-1/2,18-8SS HX HD	1
26	GX10610405	WASHER,LCK,1/2,18-8SS L SERIES	1

SINGLE SEAL



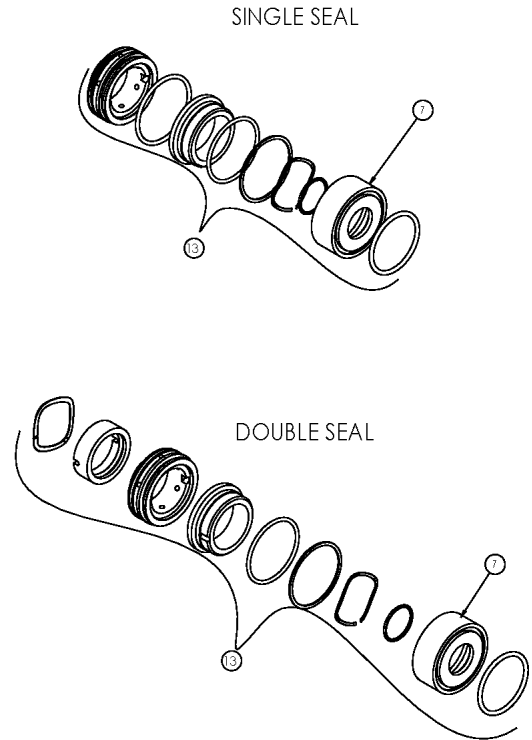
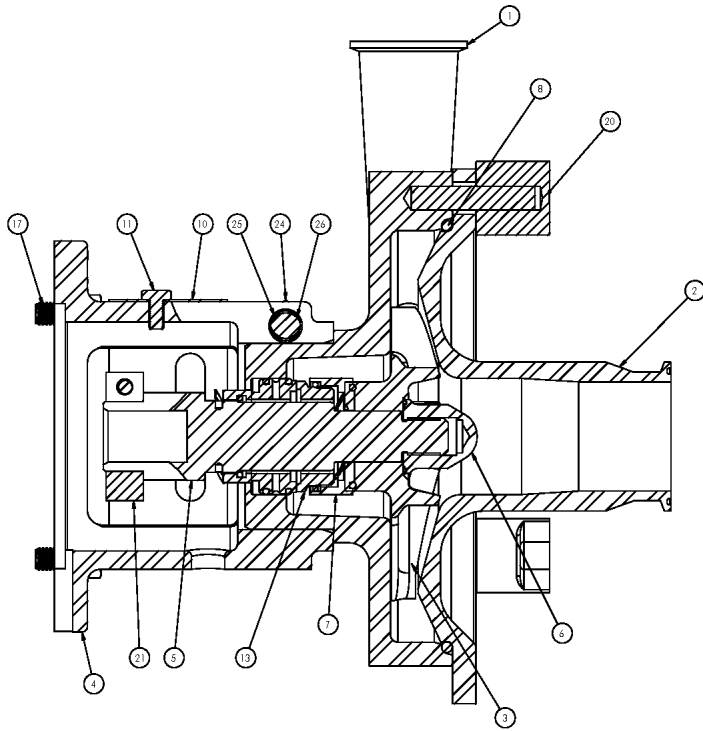
DOUBLE SEAL



Exploded View - Seal Only

Optional Items Shown in ITALICS

Ref #	Component Item No.	Description	Qty Per
7	SX11000037-ND	DRIVER,757,FRNT SEAL,NEW DESGN LF	1
13	GS02600651-ND	KIT,757,SGL SEAL,N/C/V,NEW DESIGN	1
	<i>GS02600639-ND</i>	<i>KIT,757,SGL SEAL,C/C/V,NEW DESIGN</i>	1
	<i>GS02600775-ND</i>	<i>KIT,757,DBL SEAL,N/C/N/V,NEW DESIGN</i>	1
	<i>GS02600640-ND</i>	<i>KIT,757,DBL SEAL,C/C/N/V,NEW DESIGN</i>	1

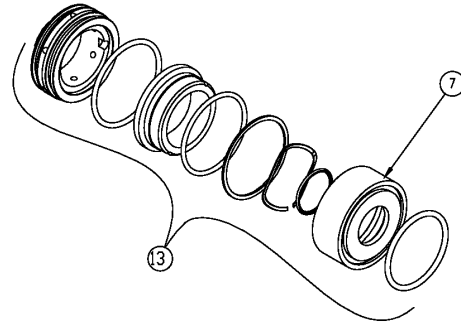


Exploded View

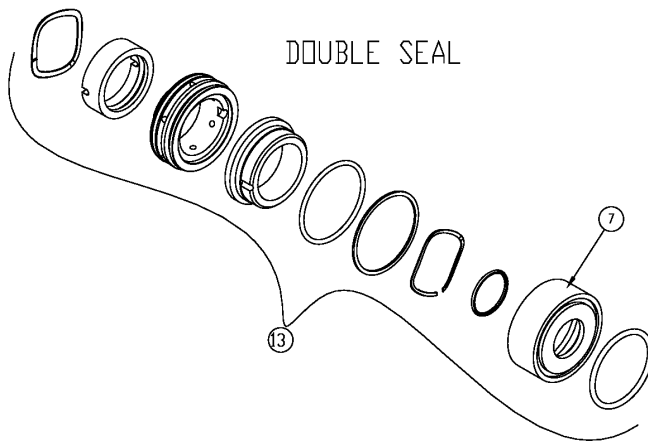
Optional Items Shown in ITALICS

Ref #	Component Item No.	Description	Qty Per
1	SV44610175	CASING,140-250TC,2 CLMP LF R40	1
2	SC44620279	COVER,R32/R40/R132,2-1/2 CLMP L SERIES	1
	SC44620432	COVER,R32/40/132/140,3 CLAMP L SERIES	1
3	SI44630003	IMPELLER,R40,205/22,205MAX LF	1
4	SX10600133	ADAPTER,180-250TC FRAME LF 757 SEAL	1
5	SX20000002	STUBSHAFT,180TC LF 757 SEAL	1
6	SI54000007	NUT,735,IMP,250TC-280TC	1
7	SX11000037-ND	DRIVER,757,FRNT SEAL,NEW DESGN LF	1
8	GX80000337	O-RING,R32/40/132/140,CVR,BUNA LC	1
	GX80000349	GASKET,R32/40/132/140,CVR,EPDM LC	1
	GX80000338	GASKET,R32/40/132/R140,CVR,VIT LC	1
10	SX10625088	GUARD,SHAFT,250TC ADPTR LC	1
11	GX48104020	CAPSCRW,HX,1/4-28X3/8,18-8SS HX HD	1
12	SX15000002	KEY,56-280TSC LC	1
13	GS02600651-ND	KIT,757,SGL SEAL,N/C/V,NEW DESIGN	1
	GS02600639-ND	KIT,757,SGL SEAL,C/C/V,NEW DESIGN	1
	GS02600775-ND	KIT,757,DBL SEAL,N/C/N/V,NEW DESIGN	1
	GS02600640-ND	KIT,757,DBL SEAL,C/C/N/V,NEW DESIGN	1
17	SC1710H-SS	CAPSCRW,HX,1/2-13X1,18-8SS HX HD	4
20	SX03000020	NUT,WING LC SERIES	5
21	SX18000014	COLLAR,180TC,SHAFT LC	1
24	GX10610105	NUT,HEX,1/2-13,18-8SS L SERIES	1
25	GX10610100	CAPSCRW,HX,1/2-13X3-1/2,18-8SS HX HD	1
26	GX10610405	WASHER,LCK,1/2,18-8SS L SERIES	1

SINGLE SEAL



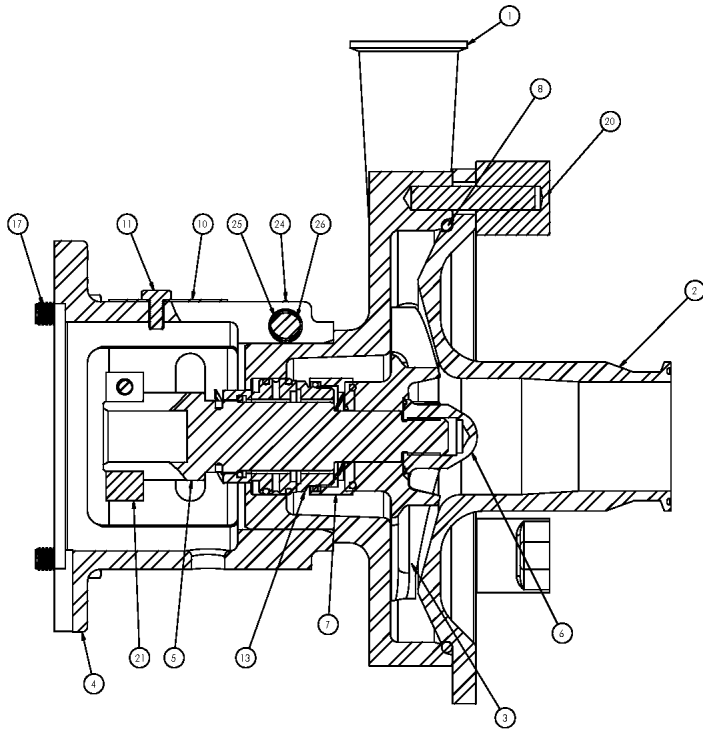
DOUBLE SEAL



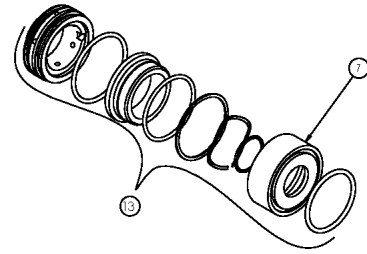
Exploded View - Seal Only

Optional Items Shown in ITALICS

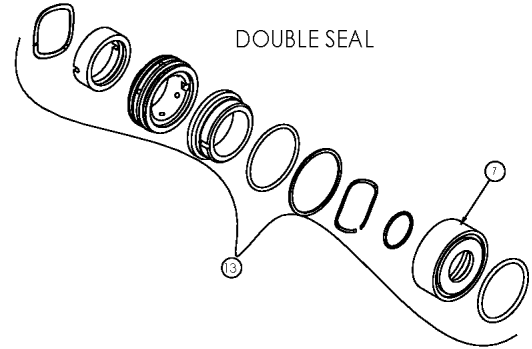
Ref #	Component Item No.	Description	Qty Per
7	SX1100037-ND	DRIVER,757,FRNT SEAL,NEW DESGN LF	1
13	GS02600651-ND	KIT,757,SGL SEAL,N/C/V,NEW DESIGN	1
	<i>GS02600639-ND</i>	<i>KIT,757,SGL SEAL,C/C/V,NEW DESIGN</i>	<i>1</i>
	<i>GS02600775-ND</i>	<i>KIT,757,DBL SEAL,N/C/N/V,NEW DESIGN</i>	<i>1</i>
	<i>GS02600640-ND</i>	<i>KIT,757,DBL SEAL,C/C/N/V,NEW DESIGN</i>	<i>1</i>



SINGLE SEAL



DOUBLE SEAL

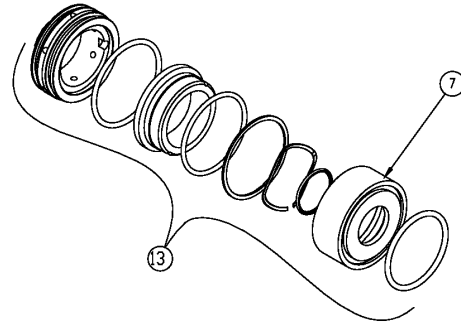


Exploded View

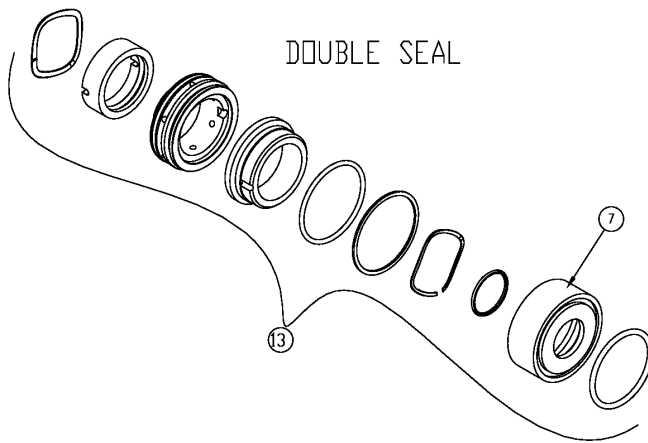
Optional Items Shown in ITALICS

Ref #	Component Item No.	Description	Qty Per
1	SV44610175	CASING,140-250TC,2 CLMP LF R40	1
2	SC44620279	COVER,R32/R40/R132,2-1/2 CLMP L SERIES	1
	SC44620432	COVER,R32/40/132/140,3 CLAMP L SERIES	1
3	SI44630003	IMPELLER,R40,205/22,205MAX LF	1
4	SX10600133	ADAPTER,180-250TC FRAME LF 757 SEAL	1
5	SX20000003	STUBSHAFT,210TC LF 757 SEAL	1
6	SI54000007	NUT,735,IMP,250TC-280TC	1
7	SX11000037-ND	DRIVER,757,FRNT SEAL,NEW DESGN LF	1
8	GX80000337	O-RING,R32/40/132/140,CVR,BUNA LC	1
	GX80000349	GASKET,R32/40/132/140,CVR,EPDM LC	1
	GX80000338	GASKET,R32/40/132/R140,CVR,VIT LC	1
10	SX10625088	GUARD,SHAFT,250TC ADPTR LC	1
11	GX48104020	CAPSCRW,HX,1/4-28X3/8,18-8SS HX HD	1
12	SX15000002	KEY,56-280TSC LC	1
13	GS02600651-ND	KIT,757,SGL SEAL,N/C/V,NEW DESIGN	1
	GS02600639-ND	KIT,757,SGL SEAL,C/C/V,NEW DESIGN	1
	GS02600775-ND	KIT,757,DBL SEAL,N/C/NV,NEW DESIGN	1
	GS02600640-ND	KIT,757,DBL SEAL,C/C/NV,NEW DESIGN	1
17	SC1710H-SS	CAPSCRW,HX,1/2-13X1,18-8SS HX HD	4
20	SX03000020	NUT,WING LC SERIES	5
21	SX18000015	COLLAR,210TC,SHAFT LC	1
24	GX10610105	NUT,HEX,1/2-13,18-8SS L SERIES	1
25	GX10610100	CAPSCRW,HX,1/2-13X3-1/2,18-8SS HX HD	1
26	GX10610405	WASHER,LCK,1/2,18-8SS L SERIES	1

SINGLE SEAL



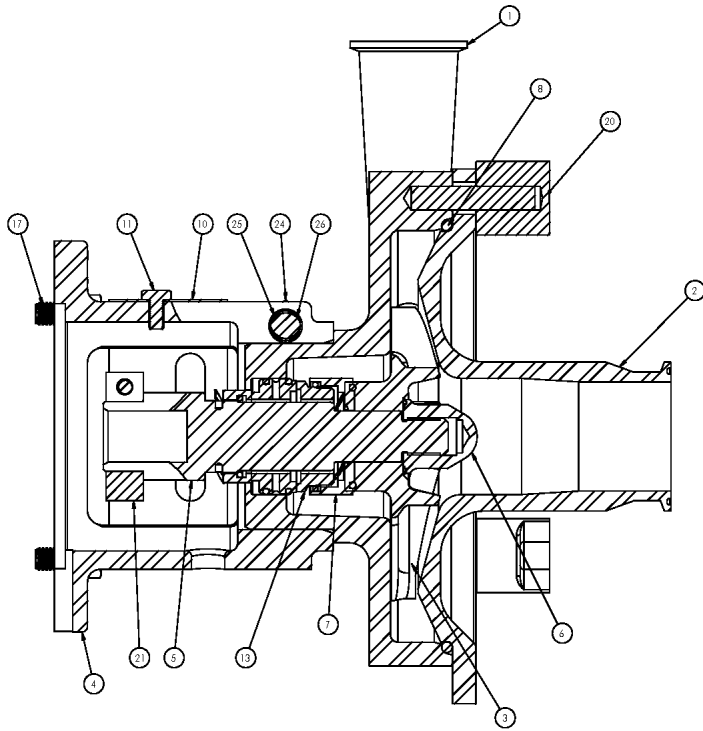
DOUBLE SEAL



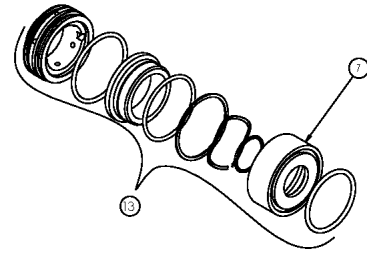
Exploded View - Seal Only

Optional Items Shown in ITALICS

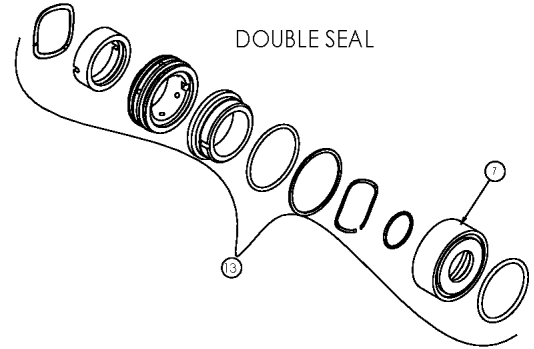
Ref #	Component Item No.	Description	Qty Per
7	SX1100037-ND	DRIVER,757,FRNT SEAL,NEW DESGN LF	1
13	GS02600651-ND	KIT,757,SGL SEAL,N/C/V,NEW DESIGN	1
	<i>GS02600639-ND</i>	<i>KIT,757,SGL SEAL,C/C/V,NEW DESIGN</i>	<i>1</i>
	<i>GS02600775-ND</i>	<i>KIT,757,DBL SEAL,N/C/N/V,NEW DESIGN</i>	<i>1</i>
	<i>GS02600640-ND</i>	<i>KIT,757,DBL SEAL,C/C/N/V,NEW DESIGN</i>	<i>1</i>



SINGLE SEAL



DOUBLE SEAL

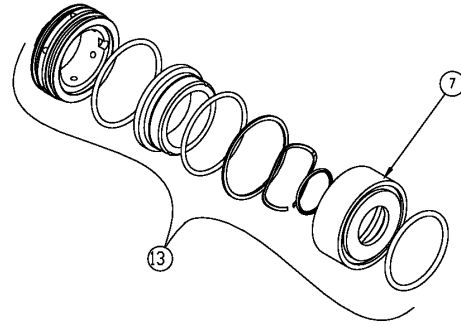


Exploded View

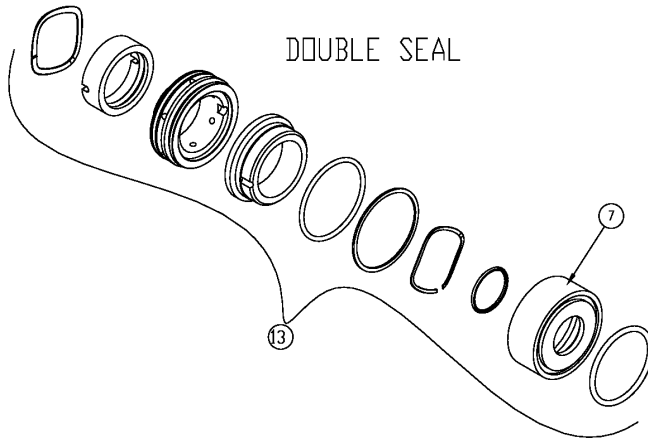
Optional Items Shown in ITALICS

Ref #	Component Item No.	Description	Qty Per
1	SV44610175	CASING,140-250TC,2 CLMP LF R40	1
2	SC44620279	COVER,R32/R40/R132,2-1/2 CLMP L SERIES	1
	SC44620432	COVER,R32/40/132/140,3 CLAMP L SERIES	1
3	SI44630003	IMPELLER,R40,205/22,205MAX LF	1
4	SX10600133	ADAPTER,180-250TC FRAME LF 757 SEAL	1
5	SX20000004	STUBSHAFT,250TC/280TSC LF 757 SEAL	1
6	SI54000007	NUT,735,IMP,250TC-280TC	1
7	SX11000037-ND	DRIVER,757,FRNT SEAL,NEW DESGN LF	1
8	GX80000337	O-RING,R32/40/132/140,CVR,BUNA LC	1
	GX80000349	GASKET,R32/40/132/140,CVR,EPDM LC	1
	GX80000338	GASKET,R32/40/132/R140,CVR,VIT LC	1
10	SX10625088	GUARD,SHAFT,250TC ADPTR LC	1
11	GX48104020	CAPSCRW,HX,1/4-28X3/8,18-8SS HX HD	1
12	SX15000002	KEY,56-280TSC LC	1
13	GS02600651-ND	KIT,757,SGL SEAL,N/C/V,NEW DESIGN	1
	GS02600639-ND	KIT,757,SGL SEAL,C/C/V,NEW DESIGN	1
	GS02600775-ND	KIT,757,DBL SEAL,N/C/N/V,NEW DESIGN	1
	GS02600640-ND	KIT,757,DBL SEAL,C/C/N/V,NEW DESIGN	1
17	SC1710H-SS	CAPSCRW,HX,1/2-13X1,18-8SS HX HD	4
20	SX03000020	NUT,WING LC SERIES	5
21	SX18000016	COLLAR,250TC/280TSC,SHAFT LC	1
24	GX10610105	NUT,HEX,1/2-13,18-8SS L SERIES	1
25	GX10610100	CAPSCRW,HX,1/2-13X3-1/2,18-8SS HX HD	1
26	GX10610405	WASHER,LCK,1/2,18-8SS L SERIES	1

SINGLE SEAL



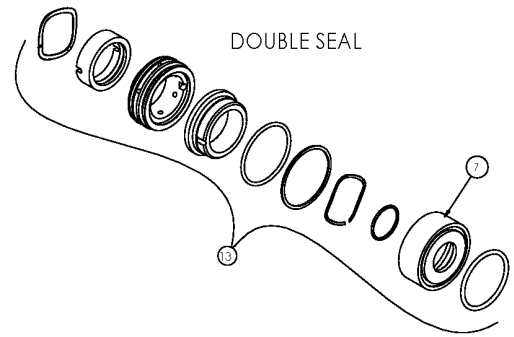
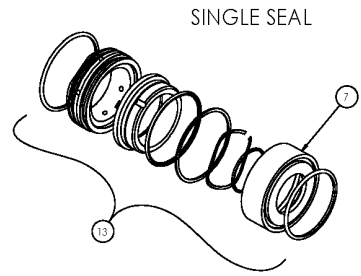
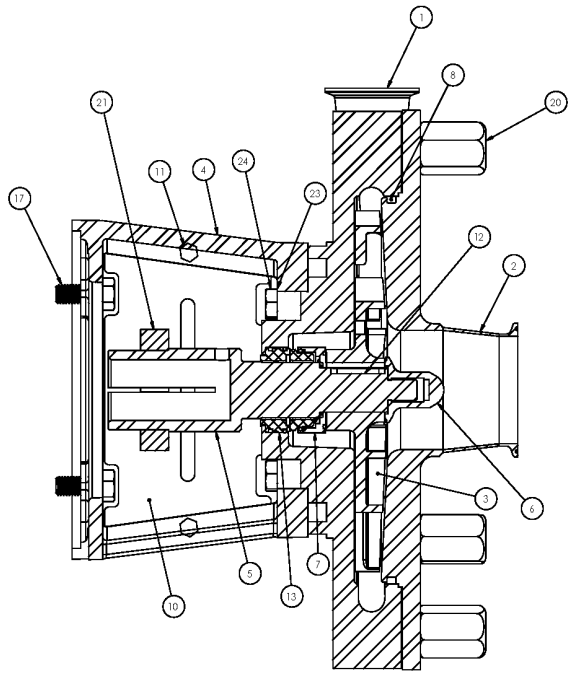
DOUBLE SEAL



Exploded View - Seal Only

Optional Items Shown in ITALICS

Ref #	Component Item No.	Description	Qty Per
7	SX11000037-ND	DRIVER,757,FRNT SEAL,NEW DESGN LF	1
13	GS02600651-ND	KIT,757,SGL SEAL,N/C/V,NEW DESIGN	1
	<i>GS02600639-ND</i>	<i>KIT,757,SGL SEAL,C/C/V,NEW DESIGN</i>	1
	<i>GS02600775-ND</i>	<i>KIT,757,DBL SEAL,N/C/N/V,NEW DESIGN</i>	1
	<i>GS02600640-ND</i>	<i>KIT,757,DBL SEAL,C/C/N/V,NEW DESIGN</i>	1

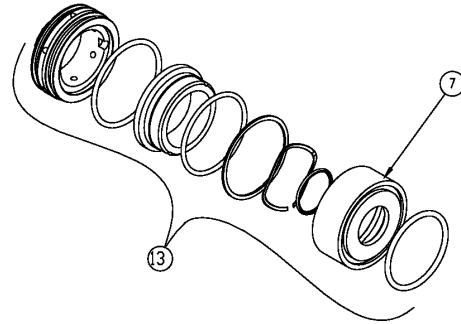


Exploded View

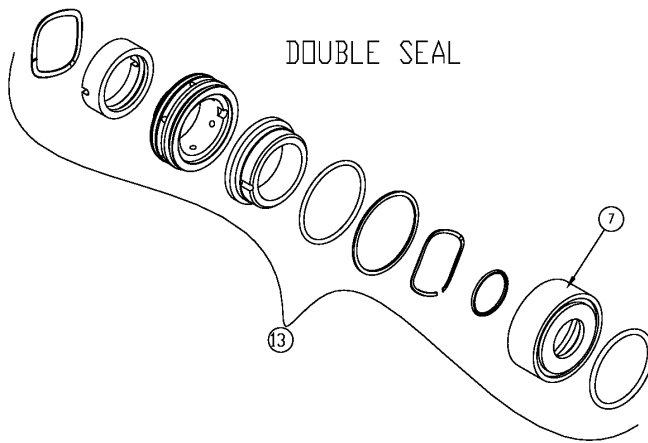
Optional Items Shown in ITALICS

Ref #	Component Item No.	Description	Qty Per
1	SV82610000	CASING,R50,2-1/2 CLMP LF	1
2	LER50623000	COVER,R50,3 CLAMP NS LME	1
3	SI82630000	IMPELLER,R50,250/30,250MAX LF	1
4	SX10600137	ADAPTER,180-250TC FRAME LF 758 SEAL	1
5	SX20000006	STUBSHAFT,180TC LF 758 SEAL	1
6	SI54000005	NUT,735/736,IMP,EXT HUB LC	1
7	SX11000038-ND	SEAL,758,FRNT DRVR,NEW DESIGN LF	1
8	GX80000339	GASKET,V450/550,CVR,BUNA LC	1
	<i>GX80000352</i>	<i>GASKET,V450/550,CVR,EPDM LC</i>	1
	<i>GX80000340</i>	<i>GASKET,V450/550,CVR,VIT LC</i>	1
10	SX10618137	GUARD,SHAFT,758,ADPTR LFR LFRV LFX SBH SBI SBV	2
11	GX48104020	CAPSCRW,HX,1/4-28X3/8,18-8SS HX HD	4
12	SX15000023	KEY, LC, 320TSC	1
13	GS02600653-ND	KIT,758,SGL SEAL,N/C/V,NEW DESIGN	1
	<i>GS02600641-ND</i>	<i>KIT,758,SGL SEAL,C/C/V,NEW DESIGN</i>	1
	<i>GS02600812-ND</i>	<i>KIT,758,DBL SEAL,N/C/N/V,NEW DESIGN</i>	1
	<i>GS02600642-ND</i>	<i>KIT,758,DBL SEAL,C/C/N/V,NEW DESIGN</i>	1
17	SC1710H-SS	CAPSCRW,HX,1/2-13X1,18-8SS HX HD	4
20	SX03000015	NUT,HEX,R50,CVR LF	9
21	SX18000014	COLLAR,180TC,SHAFT LC	1
23	GX10610405	WASHER,LCK,1/2,18-8SS L SERIES	4
24	GX10610400	CAPSCRW,HX,M12-1.75X30MM,18-8S HX HD	4

SINGLE SEAL



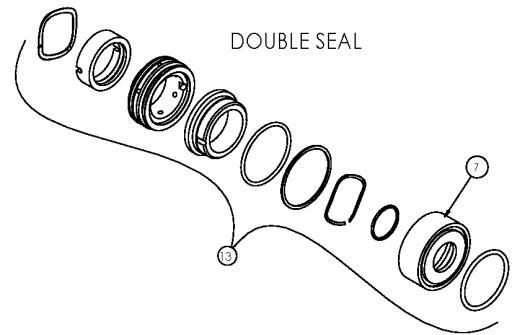
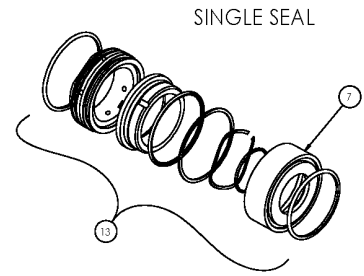
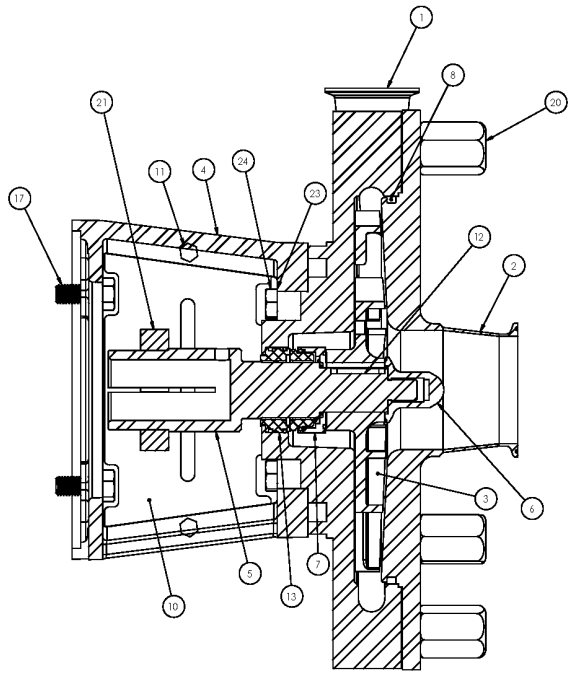
DOUBLE SEAL



Exploded View - Seal Only

Optional Items Shown in ITALICS

Ref #	Component Item No.	Description	Qty Per
7	SX11000038-ND	SEAL,758,FRNT DRVR,NEW DESIGN LF	1
13	GS02600653-ND	KIT,758,SGL SEAL,N/C/V,NEW DESIGN	1
	<i>GS02600641-ND</i>	<i>KIT,758,SGL SEAL,C/C/V,NEW DESIGN</i>	<i>1</i>
	<i>GS02600812-ND</i>	<i>KIT,758,DBL SEAL,N/C/N/V,NEW DESIGN</i>	<i>1</i>
	<i>GS02600642-ND</i>	<i>KIT,758,DBL SEAL,C/C/N/V,NEW DESIGN</i>	<i>1</i>

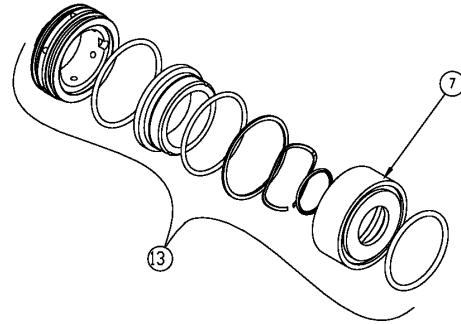


Exploded View

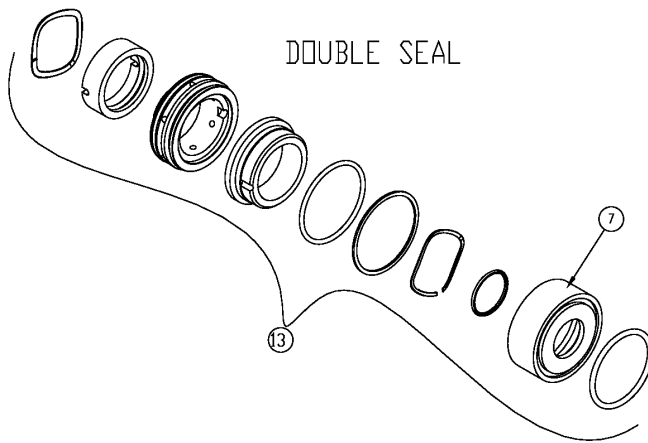
Optional Items Shown in ITALICS

Ref #	Component Item No.	Description	Qty Per
1	SV82610000	CASING,R50,2-1/2 CLMP LF	1
2	LER50623000	COVER,R50,3 CLAMP NS LME	1
3	SI82630000	IMPELLER,R50,250/30,250MAX LF	1
4	SX10600137	ADAPTER,180-250TC FRAME LF 758 SEAL	1
5	SX20000007	STUBSHAFT,210TC LF 758 SEAL	1
6	SI54000005	NUT,735/736,IMP,EXT HUB LC	1
7	SX11000038-ND	SEAL,758,FRNT DRVR,NEW DESIGN LF	1
8	GX80000339	GASKET,V450/550,CVR,BUNA LC	1
	<i>GX80000352</i>	<i>GASKET,V450/550,CVR,EPDM LC</i>	1
	<i>GX80000340</i>	<i>GASKET,V450/550,CVR,VIT LC</i>	1
10	SX10618137	GUARD,SHAFT,758,ADPTR LFR LFX LFX SBH SBI SBV	2
11	GX48104020	CAPSCRW,HX,1/4-28X3/8,18-8SS HX HD	4
12	SX15000023	KEY, LC, 320TSC	1
13	GS02600653-ND	KIT,758,SGL SEAL,N/C/V,NEW DESIGN	1
	<i>GS02600641-ND</i>	<i>KIT,758,SGL SEAL,C/C/V,NEW DESIGN</i>	1
	<i>GS02600812-ND</i>	<i>KIT,758,DBL SEAL,N/C/N/V,NEW DESIGN</i>	1
	<i>GS02600642-ND</i>	<i>KIT,758,DBL SEAL,C/C/N/V,NEW DESIGN</i>	1
17	SC1710H-SS	CAPSCRW,HX,1/2-13X1,18-8SS HX HD	4
20	SX03000015	NUT,HEX,R50,CVR LF	9
21	SX18000015	COLLAR,210TC,SHAFT LC	1
23	GX10610405	WASHER,LCK,1/2,18-8SS L SERIES	4
24	GX10610400	CAPSCRW,HX,M12-1.75X30MM,18-8S HX HD	4

SINGLE SEAL



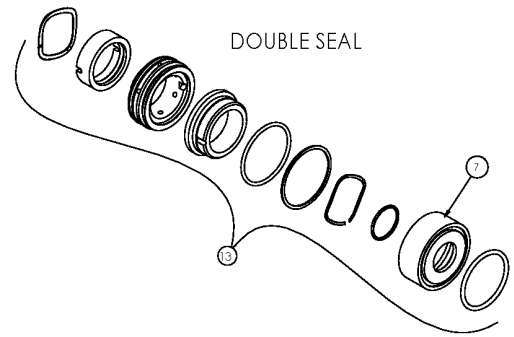
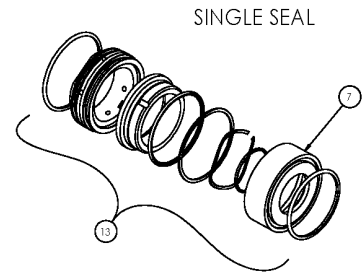
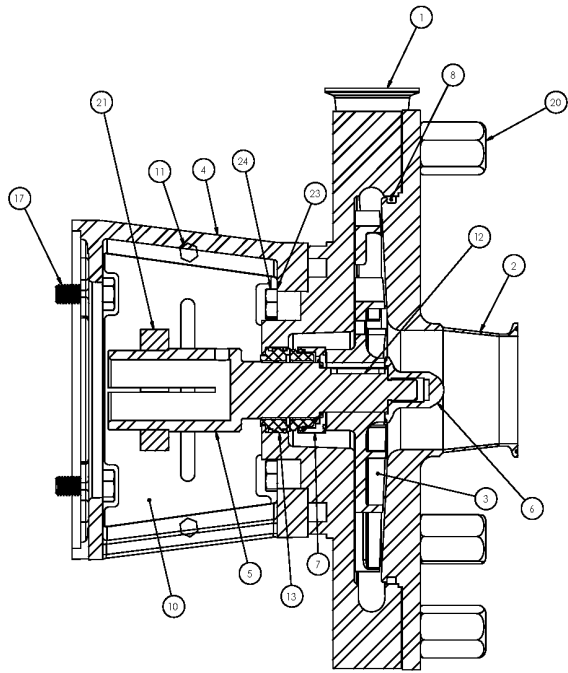
DOUBLE SEAL



Exploded View - Seal Only

Optional Items Shown in ITALICS

Ref #	Component Item No.	Description	Qty Per
7	SX11000038-ND	SEAL,758,FRNT DRVR,NEW DESIGN LF	1
13	GS02600653-ND	KIT,758,SGL SEAL,N/C/V,NEW DESIGN	1
	<i>GS02600641-ND</i>	<i>KIT,758,SGL SEAL,C/C/V,NEW DESIGN</i>	<i>1</i>
	<i>GS02600812-ND</i>	<i>KIT,758,DBL SEAL,N/C/N/V,NEW DESIGN</i>	<i>1</i>
	<i>GS02600642-ND</i>	<i>KIT,758,DBL SEAL,C/C/N/V,NEW DESIGN</i>	<i>1</i>

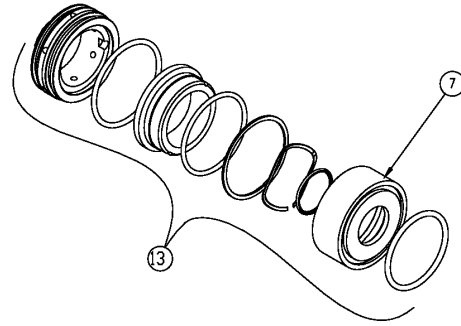


Exploded View

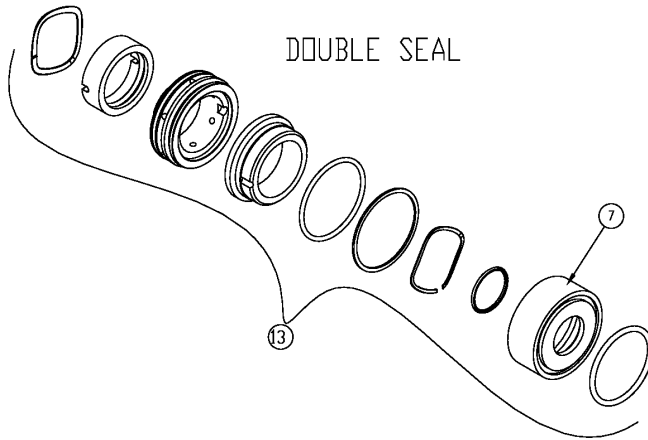
Optional Items Shown in ITALICS

Ref #	Component Item No.	Description	Qty Per
1	SV82610000	CASING,R50,2-1/2 CLMP LF	1
2	LER50623000	COVER,R50,3 CLAMP NS LME	1
3	SI82630000	IMPELLER,R50,250/30,250MAX LF	1
4	SX10600137	ADAPTER,180-250TC FRAME LF 758 SEAL	1
5	SX20000008	STUBSHAFT,250TC LF 758 SEAL	1
6	SI54000005	NUT,735/736,IMP,EXT HUB LC	1
7	SX11000038-ND	SEAL,758,FRNT DRVR,NEW DESIGN LF	1
8	GX80000339	GASKET,V450/550,CVR,BUNA LC	1
	<i>GX80000352</i>	<i>GASKET,V450/550,CVR,EPDM LC</i>	1
	<i>GX80000340</i>	<i>GASKET,V450/550,CVR,VIT LC</i>	1
10	SX10618137	GUARD,SHAFT,758,ADPTR LFR LFRV LFX SBH SBI SBV	2
11	GX48104020	CAPSCRW,HX,1/4-28X3/8,18-8SS HX HD	4
12	SX15000023	KEY, LC, 320TSC	1
13	GS02600653-ND	KIT,758,SGL SEAL,N/C/V,NEW DESIGN	1
	<i>GS02600641-ND</i>	<i>KIT,758,SGL SEAL,C/C/V,NEW DESIGN</i>	1
	<i>GS02600812-ND</i>	<i>KIT,758,DBL SEAL,N/C/N/V,NEW DESIGN</i>	1
	<i>GS02600642-ND</i>	<i>KIT,758,DBL SEAL,C/C/N/V,NEW DESIGN</i>	1
17	SC1710H-SS	CAPSCRW,HX,1/2-13X1,18-8SS HX HD	4
20	SX03000015	NUT,HEX,R50,CVR LF	9
21	SX18000016	COLLAR,250TC/280TSC,SHAFT LC	1
23	GX10610405	WASHER,LCK,1/2,18-8SS L SERIES	4
24	GX10610400	CAPSCRW,HX,M12-1.75X30MM,18-8S HX HD	4

SINGLE SEAL



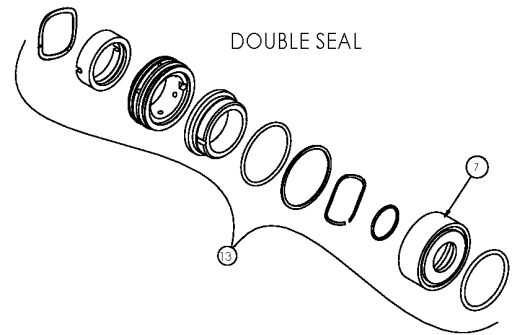
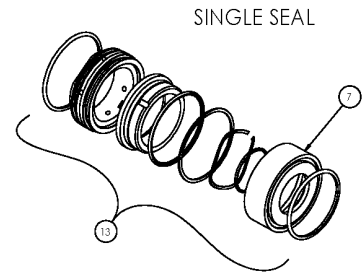
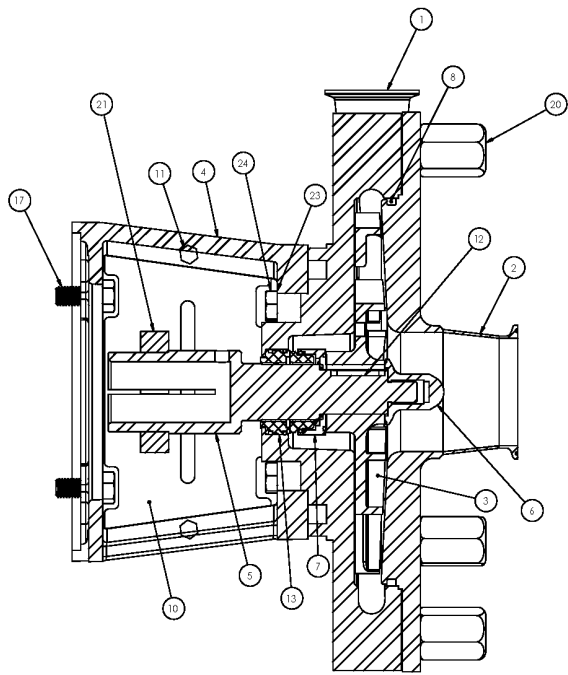
DOUBLE SEAL



Exploded View - Seal Only

Optional Items Shown in ITALICS

Ref #	Component Item No.	Description	Qty Per
7	SX11000038-ND	SEAL,758,FRNT DRVR,NEW DESIGN LF	1
13	GS02600653-ND	KIT,758,SGL SEAL,N/C/V,NEW DESIGN	1
	<i>GS02600641-ND</i>	<i>KIT,758,SGL SEAL,C/C/V,NEW DESIGN</i>	<i>1</i>
	<i>GS02600812-ND</i>	<i>KIT,758,DBL SEAL,N/C/N/V,NEW DESIGN</i>	<i>1</i>
	<i>GS02600642-ND</i>	<i>KIT,758,DBL SEAL,C/C/N/V,NEW DESIGN</i>	<i>1</i>

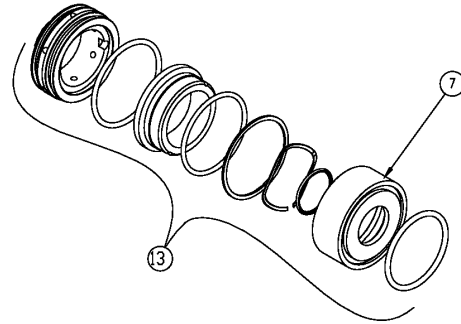


Exploded View

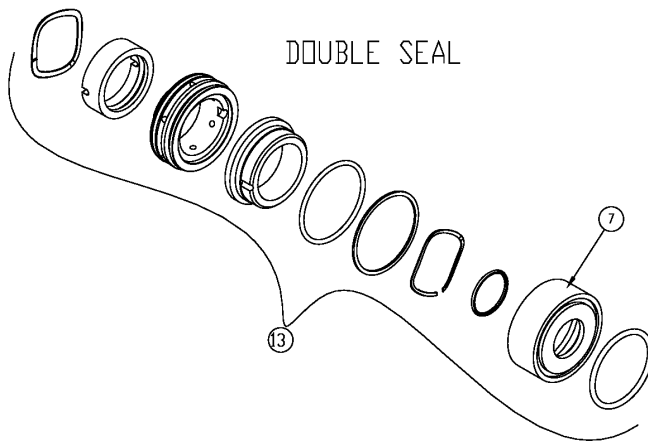
Optional Items Shown in ITALICS

Ref #	Component Item No.	Description	Qty Per
1	SV82610000	CASING,R50,2-1/2 CLMP LF	1
2	LER50623000	COVER,R50,3 CLAMP NS LME	1
3	SI82630000	IMPELLER,R50,250/30,250MAX LF	1
4	SX10600138	ADAPTER,280TC/TSC FRAME LF 758 SEAL	1
5	SX20000028	STUBSHAFT,280TSC LF 758 SEAL	1
6	SI54000005	NUT,735/736,IMP,EXT HUB LC	1
7	SX11000038-ND	SEAL,758,FRNT DRVR,NEW DESIGN LF	1
8	GX80000339	GASKET,V450/550,CVR,BUNA LC	1
	<i>GX80000352</i>	<i>GASKET,V450/550,CVR,EPDM LC</i>	1
	<i>GX80000340</i>	<i>GASKET,V450/550,CVR,VIT LC</i>	1
10	SX10628138	GUARD,SHAFT,757 ADPTR LFR LFV LFX SBI SBH SBV	2
11	GX48104020	CAPSCRW,HX,1/4-28X3/8,18-8SS HX HD	4
12	SX15000023	KEY, LC, 320TSC	1
13	GS02600653-ND	KIT,758,SGL SEAL,N/C/V,NEW DESIGN	1
	<i>GS02600641-ND</i>	<i>KIT,758,SGL SEAL,C/C/V,NEW DESIGN</i>	1
	<i>GS02600812-ND</i>	<i>KIT,758,DBL SEAL,N/C/N/V,NEW DESIGN</i>	1
	<i>GS02600642-ND</i>	<i>KIT,758,DBL SEAL,C/C/N/V,NEW DESIGN</i>	1
17	SC1710H-SS	CAPSCRW,HX,1/2-13X1,18-8SS HX HD	4
20	SX03000015	NUT,HEX,R50,CVR LF	9
21	SX18000035	COLLAR,250TC/280TSC,SHAFT LC	1
23	GX10610405	WASHER,LCK,1/2,18-8SS L SERIES	4
24	GX10610400	CAPSCRW,HX,M12-1.75X30MM,18-8S HX HD	4

SINGLE SEAL



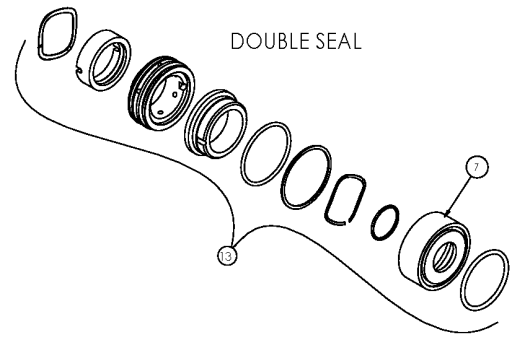
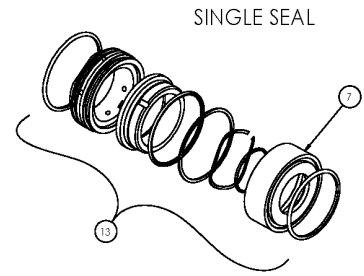
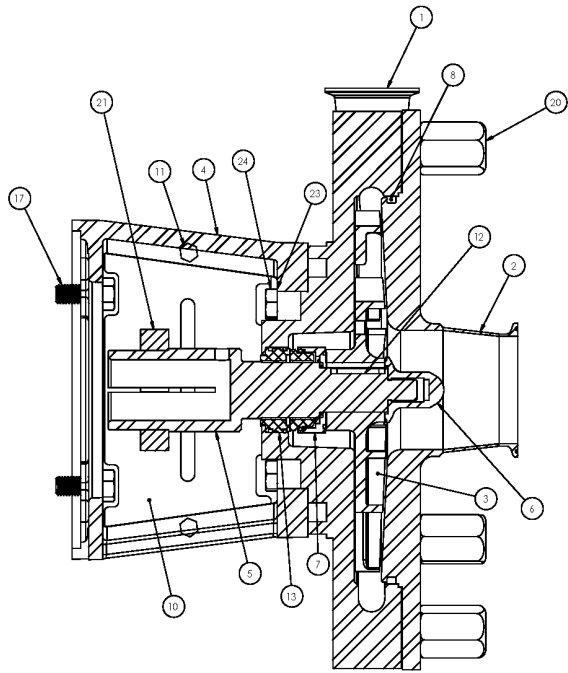
DOUBLE SEAL



Exploded View - Seal Only

Optional Items Shown in ITALICS

Ref #	Component Item No.	Description	Qty Per
7	SX11000038-ND	SEAL,758,FRNT DRVR,NEW DESIGN LF	1
13	GS02600653-ND	KIT,758,SGL SEAL,N/C/V,NEW DESIGN	1
	<i>GS02600641-ND</i>	<i>KIT,758,SGL SEAL,C/C/V,NEW DESIGN</i>	<i>1</i>
	<i>GS02600812-ND</i>	<i>KIT,758,DBL SEAL,N/C/N/V,NEW DESIGN</i>	<i>1</i>
	<i>GS02600642-ND</i>	<i>KIT,758,DBL SEAL,C/C/N/V,NEW DESIGN</i>	<i>1</i>

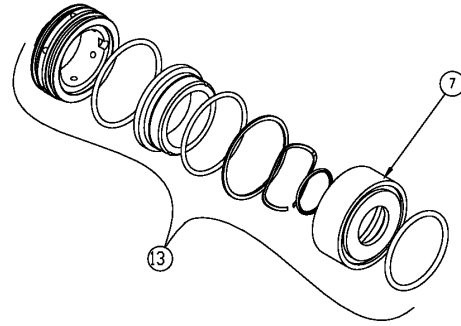


Exploded View

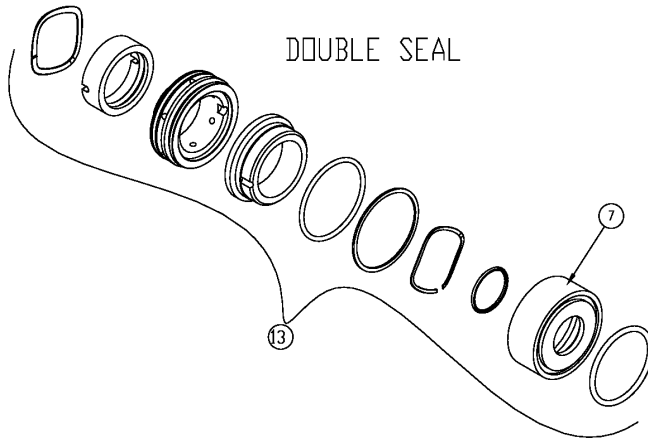
Optional Items Shown in ITALICS

Ref #	Component Item No.	Description	Qty Per
1	SV82610000	CASING,R50,2-1/2 CLMP LF	1
2	LER50623000	COVER,R50,3 CLAMPINS LME	1
3	SI82630000	IMPELLER,R50,250/30,250MAX LF	1
4	SX10600100	ADAPTER,320TC/TSC FRAME LC/LD/LF	1
5	SX20000011	STUBSHAFT,320TSC/360TSC LF 758 SEAL	1
6	SI54000005	NUT,735/736,IMP,EXT HUB LC	1
7	SX11000038-ND	SEAL,758,FRNT DRVR,NEW DESIGN LF	1
8	GX80000339	GASKET,V450/550,CVR,BUNA LC	1
	<i>GX80000352</i>	<i>GASKET,V450/550,CVR,EPDM LC</i>	1
	<i>GX80000340</i>	<i>GASKET,V450/550,CVR,VIT LC</i>	1
10	SX10628089	GUARD,SHAFT,DBL FLNGE ADPTRS LC	2
11	GX48104020	CAPSCRW,HX,1/4-28X3/8,18-8SS HX HD	4
12	SX15000023	KEY, LC, 320TSC	1
13	GS02600653-ND	KIT,758,SGL SEAL,N/C/V,NEW DESIGN	1
	<i>GS02600641-ND</i>	<i>KIT,758,SGL SEAL,C/C/V,NEW DESIGN</i>	1
	<i>GS02600812-ND</i>	<i>KIT,758,DBL SEAL,N/C/N/V,NEW DESIGN</i>	1
	<i>GS02600642-ND</i>	<i>KIT,758,DBL SEAL,C/C/N/V,NEW DESIGN</i>	1
17	GX5076700	CAPSCRW,HX,5/8-11X1-1/2,18-8SS HX HD	4
	GX5507010	WASHER,LOCK,5/8,18-8SS	4
20	SX03000015	NUT,HEX,R50,CVR LF	9
21	SX18000027	COLLAR,280TC/320TSC,SHAFT LC	1
23	GX10610405	WASHER,LCK,1/2,18-8SS L SERIES	4
24	GX10610400	CAPSCRW,HX,M12-1.75X30MM,18-8S HX HD	4

SINGLE SEAL



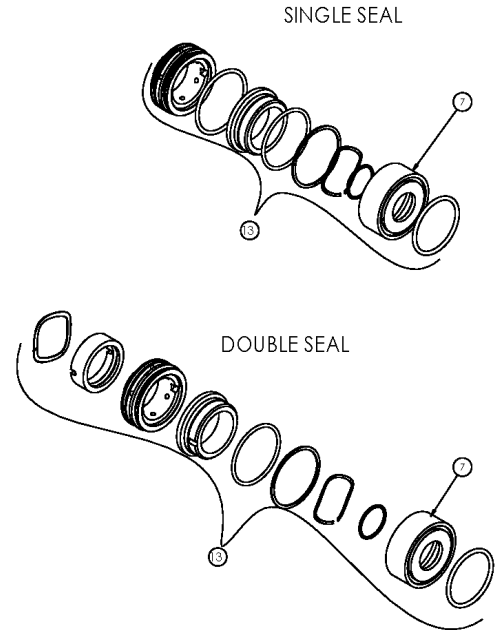
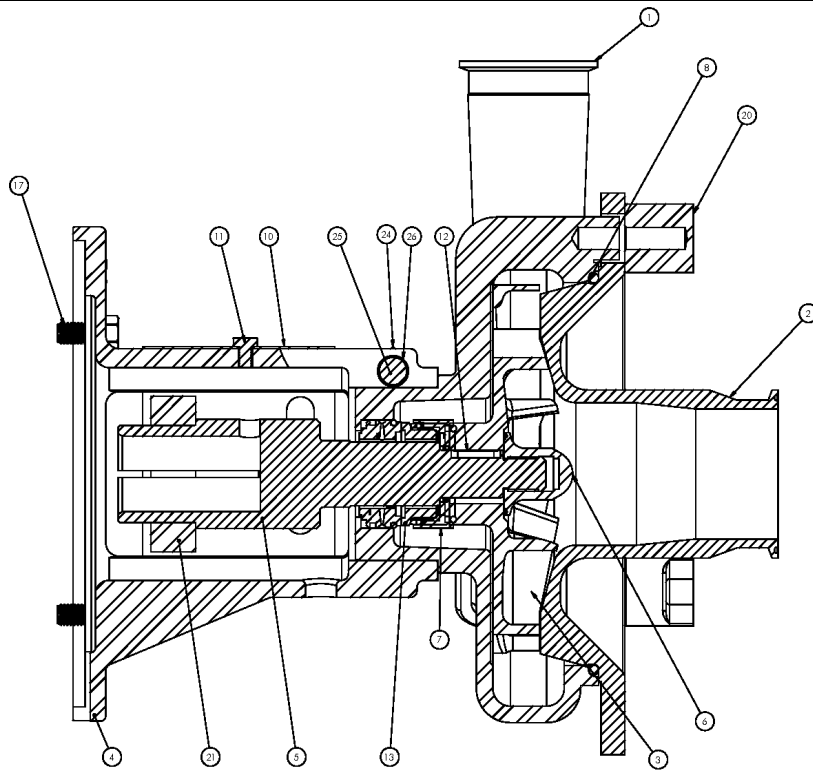
DOUBLE SEAL



Exploded View - Seal Only

Optional Items Shown in ITALICS

Ref #	Component Item No.	Description	Qty Per
7	SX11000038-ND	SEAL,758,FRNT DRVR,NEW DESIGN LF	1
13	GS02600653-ND	KIT,758,SGL SEAL,N/C/V,NEW DESIGN	1
	<i>GS02600641-ND</i>	<i>KIT,758,SGL SEAL,C/C/V,NEW DESIGN</i>	<i>1</i>
	<i>GS02600812-ND</i>	<i>KIT,758,DBL SEAL,N/C/N/V,NEW DESIGN</i>	<i>1</i>
	<i>GS02600642-ND</i>	<i>KIT,758,DBL SEAL,C/C/N/V,NEW DESIGN</i>	<i>1</i>

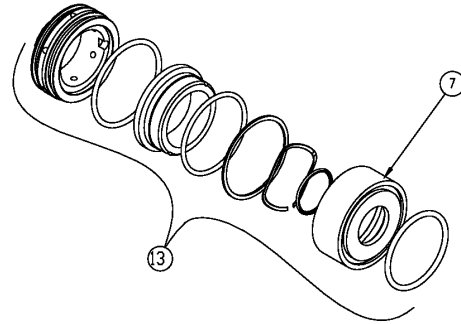


Exploded View

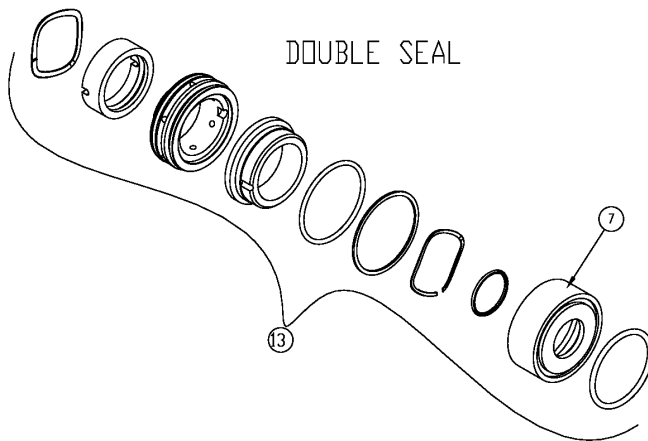
Optional Items Shown in ITALICS

Ref #	Component Item No.	Description	Qty Per
1	SV28610037	CASING,56C-250TC,2 CLMP LFV520	1
2	SC28620064	COVER,V520,2-1/2 CLAMP L SERIES	1
	<i>SC28620154</i>	<i>COVER,V520,3 CLAMP L SERIES</i>	<i>1</i>
3	SI28630001	IMPELLER,V520,145/22,145MAX LF	1
4	SX10600134	ADAPTER,56C-140TC FRAME LF 757 SEAL	1
5	SX20000001	STUBSHAFT,140TC LF 757 SEAL	1
6	SI54000007	NUT,735,IMP,250TC-280TC	1
7	SX11000037-ND	DRIVER,757,FRNT SEAL,NEW DESGN LF	1
8	GX80000333	GASKET,V520,CVR,BUNA LC	1
	<i>GX80000057</i>	<i>GASKET,V520,CVR,EPDM LC</i>	<i>1</i>
	<i>GX80000018</i>	<i>GASKET,V520,CVR,VIT LC</i>	<i>1</i>
10	SX10614087	GUARD,SHAFT,56C-140TC,ADPT +BOLT LC	1
11	GX48104020	CAPSCRW,HX,1/4-28X3/8,18-8SS HX HD	1
12	SX15000002	KEY,56-280TSC LC	1
13	GS02600651-ND	KIT,757,SGL SEAL,N/C/V,NEW DESIGN	1
	<i>GS02600639-ND</i>	<i>KIT,757,SGL SEAL,C/C/V,NEW DESIGN</i>	<i>1</i>
	<i>GS02600775-ND</i>	<i>KIT,757,DBL SEAL,N/C/NV,NEW DESIGN</i>	<i>1</i>
	<i>GS02600640-ND</i>	<i>KIT,757,DBL SEAL,C/C/NV,NEW DESIGN</i>	<i>1</i>
17	GX5077200	CAPSCRW,HX,3/8-16X1-1/4,18-8SS HX HD	4
20	SX03000020	NUT,WING LC SERIES	3
21	SX18000013	COLLAR,56C/140TC,SHAFT L SEE ITEM NOTES	1
24	GX10610105	NUT,HEX,1/2-13,18-8SS L SERIES	1
25	GX10610100	CAPSCRW,HX,1/2-13X3-1/2,18-8SS HX HD	1
26	GX10610405	WASHER,LCK,1/2,18-8SS L SERIES	1

SINGLE SEAL



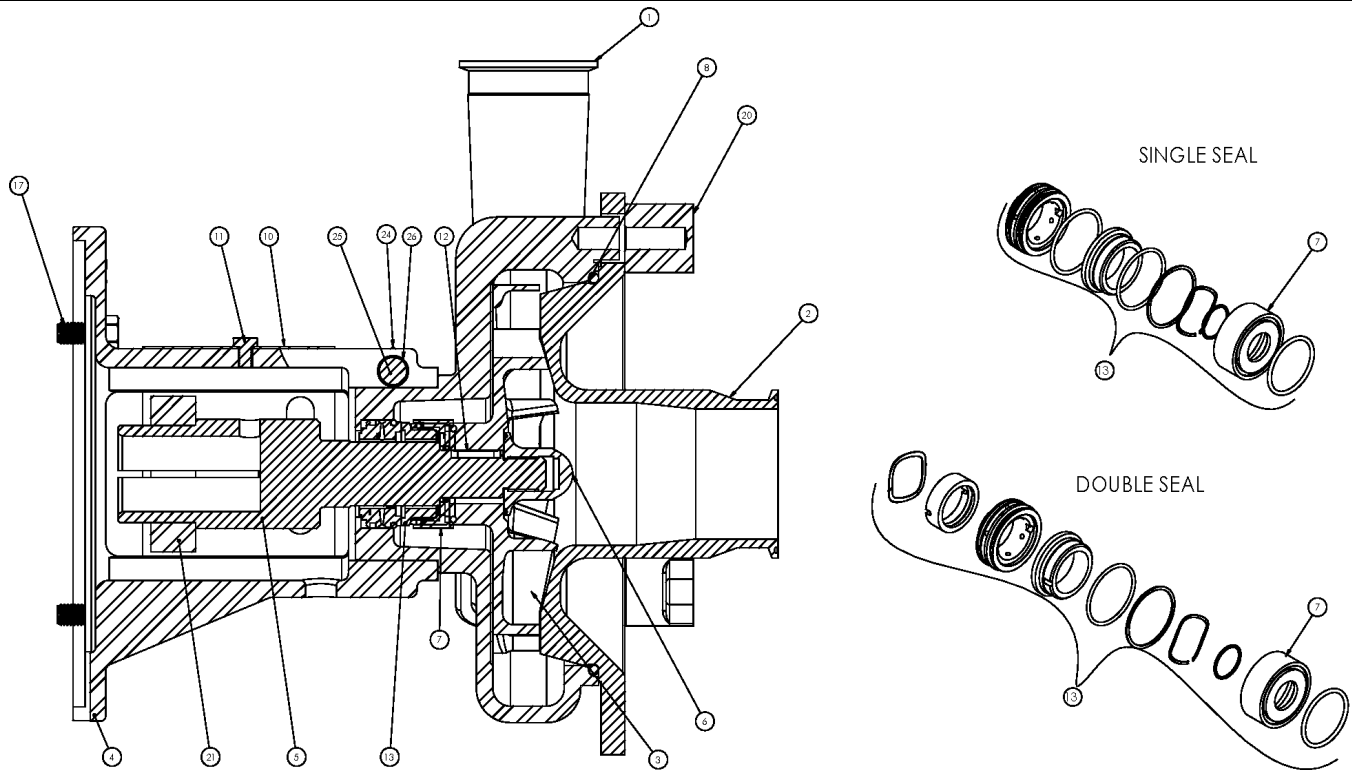
DOUBLE SEAL



Exploded View - Seal Only

Optional Items Shown in ITALICS

Ref #	Component Item No.	Description	Qty Per
7	SX11000037-ND	DRIVER,757,FRNT SEAL,NEW DESGN LF	1
13	GS02600651-ND	KIT,757,SGL SEAL,N/C/V,NEW DESIGN	1
	<i>GS02600639-ND</i>	<i>KIT,757,SGL SEAL,C/C/V,NEW DESIGN</i>	<i>1</i>
	<i>GS02600775-ND</i>	<i>KIT,757,DBL SEAL,N/C/N/V,NEW DESIGN</i>	<i>1</i>
	<i>GS02600640-ND</i>	<i>KIT,757,DBL SEAL,C/C/N/V,NEW DESIGN</i>	<i>1</i>

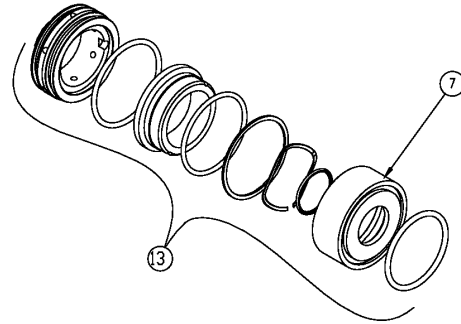


Exploded View

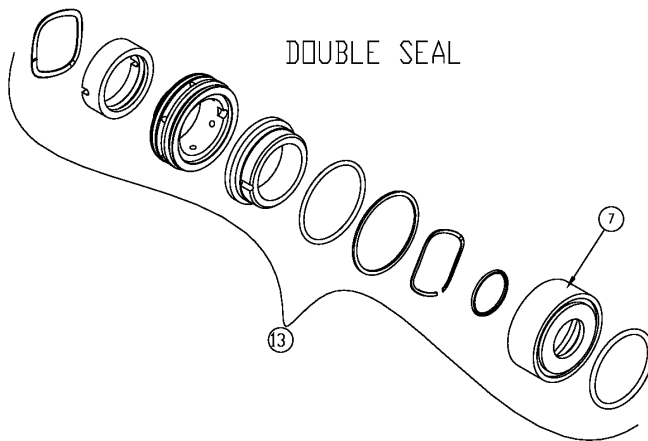
Optional Items Shown in ITALICS

Ref #	Component Item No.	Description	Qty Per
1	SV28610037	CASING,56C-250TC,2 CLMP LFV520	1
2	SC28620064	COVER,V520,2-1/2 CLAMP L SERIES	1
	SC28620154	COVER,V520,3 CLAMP L SERIES	1
3	SI28630001	IMPELLER,V520,145/22,145MAX LF	1
4	SX10600133	ADAPTER,180-250TC FRAME LF 757 SEAL	1
5	SX20000002	STUBSHAFT,180TC LF 757 SEAL	1
6	SI54000007	NUT,735,IMP,250TC-280TC	1
7	SX11000037-ND	DRIVER,757,FRNT SEAL,NEW DESGN LF	1
8	GX80000333	GASKET,V520,CVR,BUNA LC	1
	GX80000057	GASKET,V520,CVR,EPDM LC	1
	GX80000018	GASKET,V520,CVR,VIT LC	1
10	SX10625088	GUARD,SHAFT,250TC ADPTR LC	1
11	GX48104020	CAPSCRW,HX,1/4-28X3/8,18-8SS HX HD	1
12	SX15000002	KEY,56-280TSC LC	1
13	GS02600651-ND	KIT,757,SGL SEAL,N/C/V,NEW DESIGN	1
	GS02600639-ND	KIT,757,SGL SEAL,C/C/V,NEW DESIGN	1
	GS02600775-ND	KIT,757,DBL SEAL,N/C/N/V,NEW DESIGN	1
	GS02600640-ND	KIT,757,DBL SEAL,C/C/N/V,NEW DESIGN	1
17	SC1710H-SS	CAPSCRW,HX,1/2-13X1,18-8SS HX HD	4
20	SX03000020	NUT,WING LC SERIES	3
21	SX18000014	COLLAR,180TC,SHAFT LC	1
24	GX10610105	NUT,HEX,1/2-13,18-8SS L SERIES	1
25	GX10610100	CAPSCRW,HX,1/2-13X3-1/2,18-8SS HX HD	1
26	GX10610405	WASHER,LCK,1/2,18-8SS L SERIES	1

SINGLE SEAL



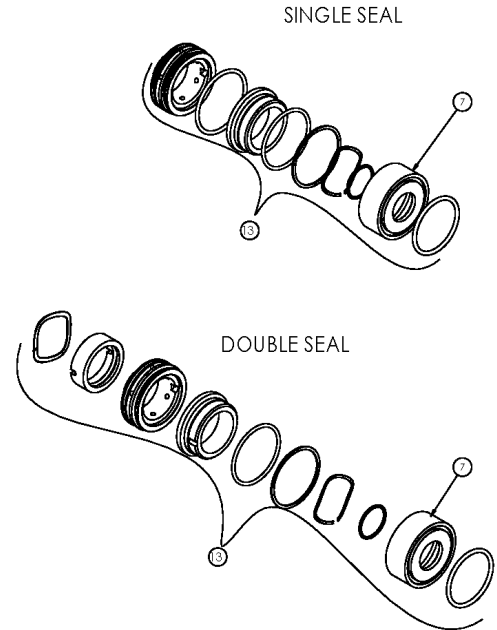
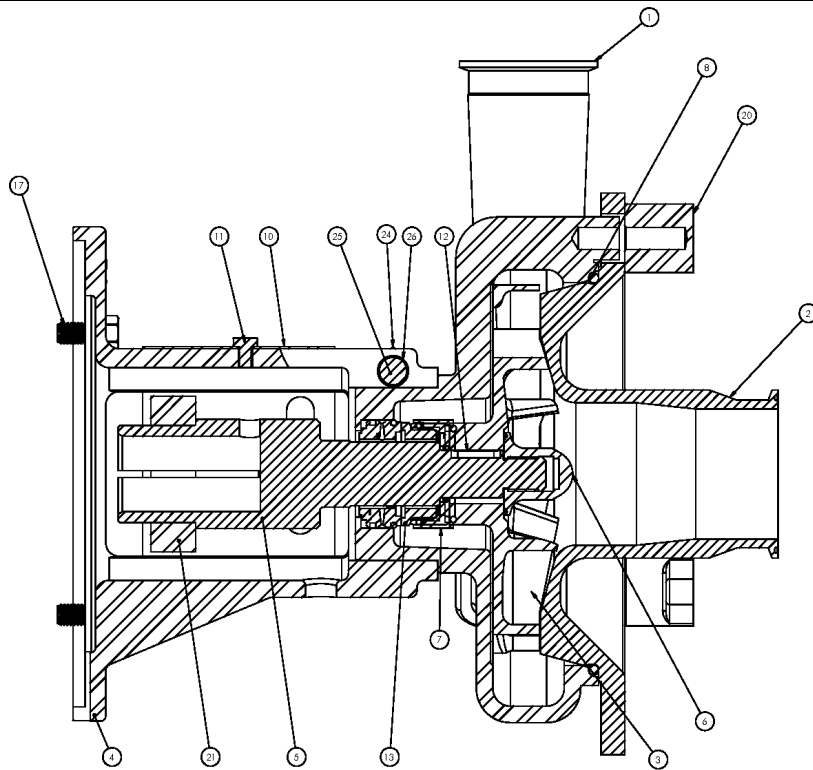
DOUBLE SEAL



Exploded View - Seal Only

Optional Items Shown in ITALICS

Ref #	Component Item No.	Description	Qty Per
7	SX11000037-ND	DRIVER,757,FRNT SEAL,NEW DESGN LF	1
13	GS02600651-ND	KIT,757,SGL SEAL,N/C/V,NEW DESIGN	1
	<i>GS02600639-ND</i>	<i>KIT,757,SGL SEAL,C/C/V,NEW DESIGN</i>	<i>1</i>
	<i>GS02600775-ND</i>	<i>KIT,757,DBL SEAL,N/C/N/V,NEW DESIGN</i>	<i>1</i>
	<i>GS02600640-ND</i>	<i>KIT,757,DBL SEAL,C/C/N/V,NEW DESIGN</i>	<i>1</i>

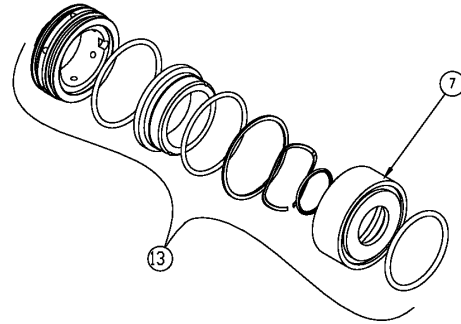


Exploded View

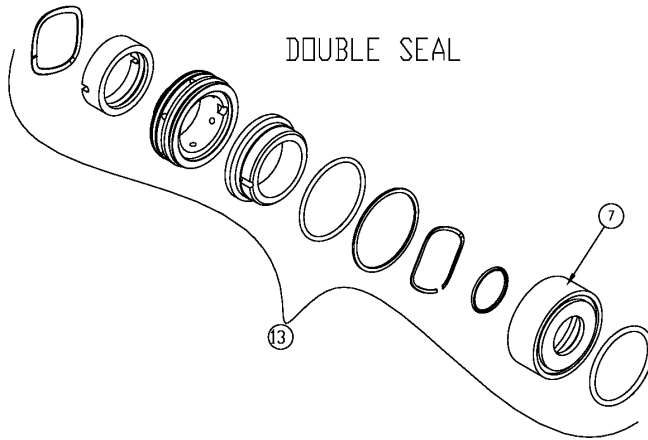
Optional Items Shown in ITALICS

Ref #	Component Item No.	Description	Qty Per
1	SV28610037	CASING,56C-250TC,2 CLMP LFV520	1
2	SC28620064	COVER,V520,2-1/2 CLAMP L SERIES	1
	SC28620154	COVER,V520,3 CLAMP L SERIES	1
3	SI28630001	IMPELLER,V520,145/22,145MAX LF	1
4	SX10600133	ADAPTER,180-250TC FRAME LF 757 SEAL	1
5	SX20000003	STUBSHAFT,210TC LF 757 SEAL	1
6	SI54000007	NUT,735,IMP,250TC-280TC	1
7	SX11000037-ND	DRIVER,757,FRNT SEAL,NEW DESGN LF	1
8	GX80000333	GASKET,V520,CVR,BUNA LC	1
	GX80000057	GASKET,V520,CVR,EPDM LC	1
	GX80000018	GASKET,V520,CVR,VIT LC	1
10	SX10625088	GUARD,SHAFT,250TC ADPTR LC	1
11	GX48104020	CAPSCRW,HX,1/4-28X3/8,18-8SS HX HD	1
12	SX15000002	KEY,56-280TSC LC	1
13	GS02600651-ND	KIT,757,SGL SEAL,N/C/V,NEW DESIGN	1
	GS02600639-ND	KIT,757,SGL SEAL,C/C/V,NEW DESIGN	1
	GS02600775-ND	KIT,757,DBL SEAL,N/C/N/V,NEW DESIGN	1
	GS02600640-ND	KIT,757,DBL SEAL,C/C/N/V,NEW DESIGN	1
17	SC1710H-SS	CAPSCRW,HX,1/2-13X1,18-8SS HX HD	4
20	SX03000020	NUT,WING LC SERIES	3
21	SX18000015	COLLAR,210TC,SHAFT LC	1
24	GX10610105	NUT,HEX,1/2-13,18-8SS L SERIES	1
25	GX10610100	CAPSCRW,HX,1/2-13X3-1/2,18-8SS HX HD	1
26	GX10610405	WASHER,LCK,1/2,18-8SS L SERIES	1

SINGLE SEAL



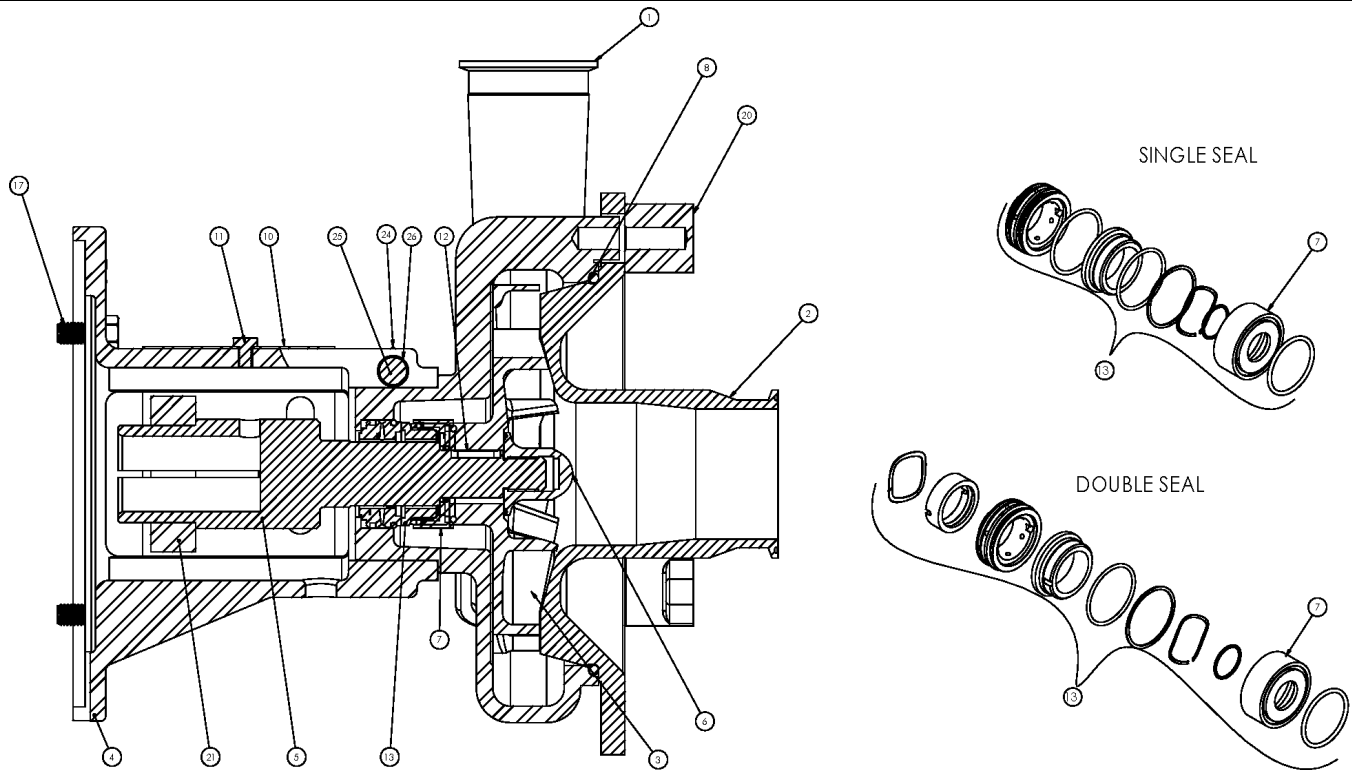
DOUBLE SEAL



Exploded View - Seal Only

Optional Items Shown in ITALICS

Ref #	Component Item No.	Description	Qty Per
7	SX11000037-ND	DRIVER,757,FRNT SEAL,NEW DESGN LF	1
13	GS02600651-ND	KIT,757,SGL SEAL,N/C/V,NEW DESIGN	1
	<i>GS02600639-ND</i>	<i>KIT,757,SGL SEAL,C/C/V,NEW DESIGN</i>	<i>1</i>
	<i>GS02600775-ND</i>	<i>KIT,757,DBL SEAL,N/C/N/V,NEW DESIGN</i>	<i>1</i>
	<i>GS02600640-ND</i>	<i>KIT,757,DBL SEAL,C/C/N/V,NEW DESIGN</i>	<i>1</i>

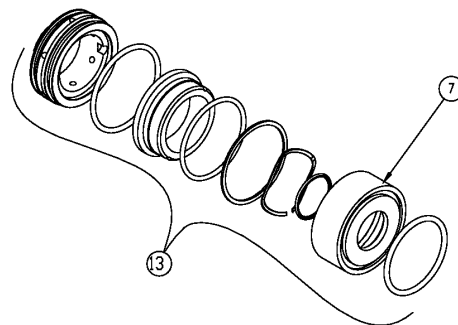


Exploded View

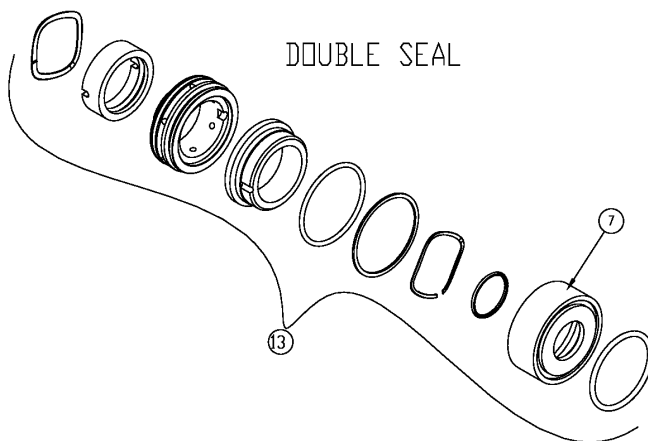
Optional Items Shown in ITALICS

Ref #	Component Item No.	Description	Qty Per
1	SV28610037	CASING,56C-250TC,2 CLMP LFV520	1
2	SC28620064	COVER,V520,2-1/2 CLAMP L SERIES	1
	SC28620154	COVER,V520,3 CLAMP L SERIES	1
3	SI28630001	IMPELLER,V520,145/22,145MAX LF	1
4	SX10600133	ADAPTER,180-250TC FRAME LF 757 SEAL	1
5	SX20000004	STUBSHAFT,250TC/280TSC LF 757 SEAL	1
6	SI54000007	NUT,735,IMP,250TC-280TC	1
7	SX11000037-ND	DRIVER,757,FRNT SEAL,NEW DESGN LF	1
8	GX80000333	GASKET,V520,CVR,BUNA LC	1
	GX80000057	GASKET,V520,CVR,EPDM LC	1
	GX80000018	GASKET,V520,CVR,VIT LC	1
10	SX10625088	GUARD,SHAFT,250TC ADPTR LC	1
11	GX48104020	CAPSCRW,HX,1/4-28X3/8,18-8SS HX HD	1
12	SX15000002	KEY,56-280TSC LC	1
13	GS02600651-ND	KIT,757,SGL SEAL,N/C/V,NEW DESIGN	1
	GS02600639-ND	KIT,757,SGL SEAL,C/C/V,NEW DESIGN	1
	GS02600775-ND	KIT,757,DBL SEAL,N/C/N/V,NEW DESIGN	1
	GS02600640-ND	KIT,757,DBL SEAL,C/C/N/V,NEW DESIGN	1
17	SC1710H-SS	CAPSCRW,HX,1/2-13X1,18-8SS HX HD	4
20	SX03000020	NUT,WING LC SERIES	3
21	SX18000016	COLLAR,250TC/280TSC,SHAFT LC	1
24	GX10610105	NUT,HEX,1/2-13,18-8SS L SERIES	1
25	GX10610100	CAPSCRW,HX,1/2-13X3-1/2,18-8SS HX HD	1
26	GX10610405	WASHER,LCK,1/2,18-8SS L SERIES	1

SINGLE SEAL



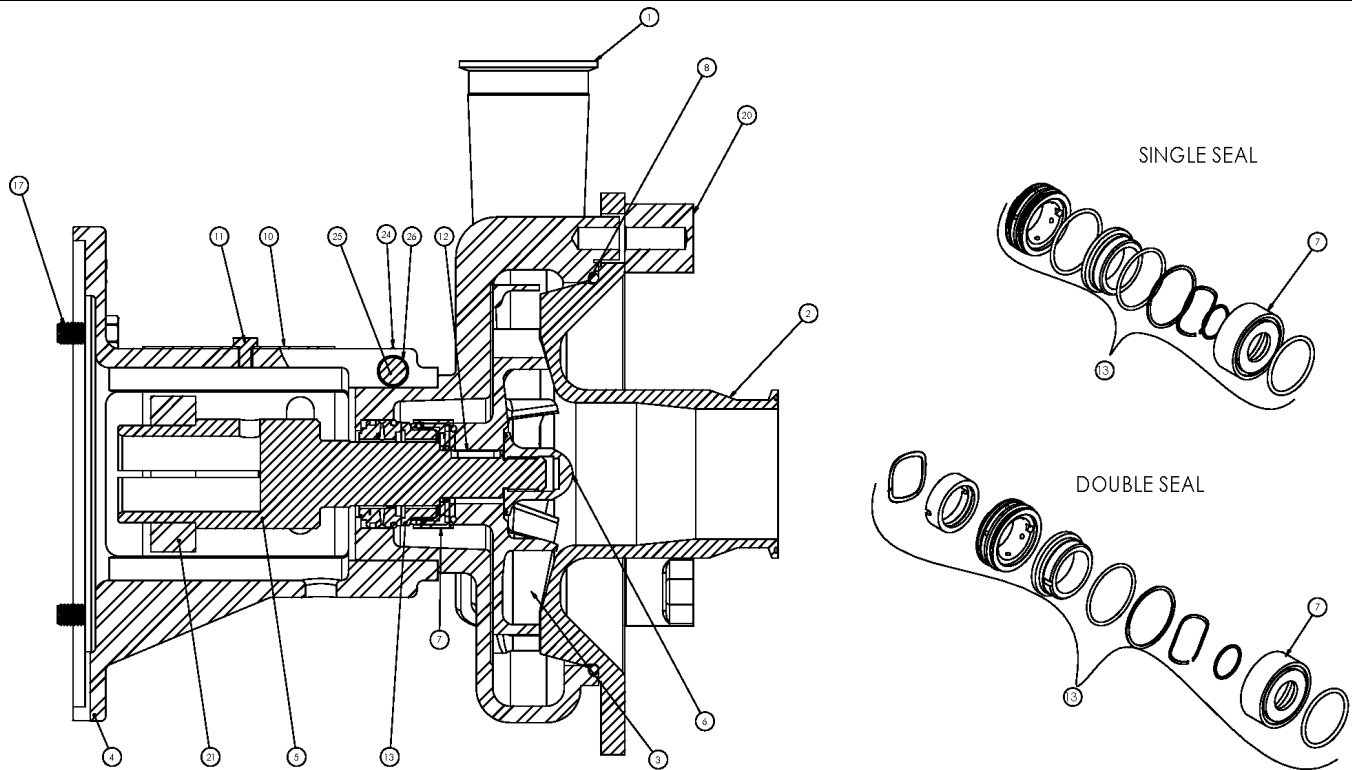
DOUBLE SEAL



Exploded View - Seal Only

Optional Items Shown in ITALICS

Ref #	Component Item No.	Description	Qty Per
7	SX1100037-ND	DRIVER,757,FRNT SEAL,NEW DESGN LF	1
13	GS02600651-ND	KIT,757,SGL SEAL,N/C/V,NEW DESIGN	1
	<i>GS02600639-ND</i>	<i>KIT,757,SGL SEAL,C/C/V,NEW DESIGN</i>	<i>1</i>
	<i>GS02600775-ND</i>	<i>KIT,757,DBL SEAL,N/C/N/V,NEW DESIGN</i>	<i>1</i>
	<i>GS02600640-ND</i>	<i>KIT,757,DBL SEAL,C/C/N/V,NEW DESIGN</i>	<i>1</i>

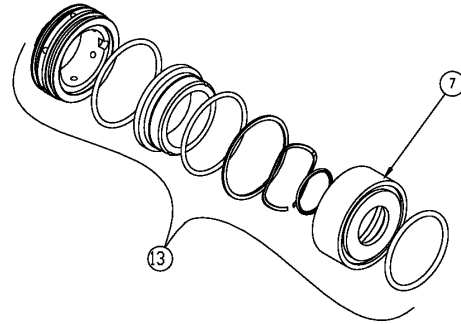


Exploded View

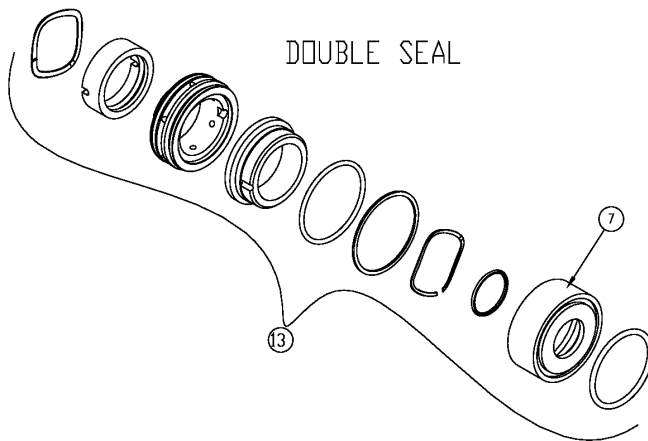
Optional Items Shown in ITALICS

Ref #	Component Item No.	Description	Qty Per
1	SV38610065	CASING,140-250TC,2CLMP L FV530	1
2	SC38620056	COVER,V530,2-1/2 CLAMP L SERIES	1
	<i>SC38620161</i>	<i>COVER,V530,3 CLAMP L SERIES</i>	<i>1</i>
3	SI38630002	IMPELLER,V530,175/22,175 MAX LF LM	1
4	SX10600134	ADAPTER,56C-140TC FRAME LF 757 SEAL	1
5	SX20000001	STUBSHAFT,140TC LF 757 SEAL	1
6	SI54000007	NUT,735,IMP,250TC-280TC	1
7	<i>SX11000037-ND</i>	<i>DRIVER,757,FRNT SEAL,NEW DESGN LF</i>	<i>1</i>
8	GX80000334	GASKET,R20/31/V530,CVR,BUNA LC	1
	<i>GX80000351</i>	<i>GASKET,R20/31/V530,CVR,EPDM LC</i>	<i>1</i>
	<i>GX80000335</i>	<i>GASKET,R20/31/V530,CVR,VIT LC</i>	<i>1</i>
10	SX10614087	GUARD,SHAFT,56C-140TC,ADPT +BOLT LC	1
11	GX48104020	CAPSCRW,HX,1/4-28X3/8,18-8SS HX HD	1
12	SX15000002	KEY,56-280TSC LC	1
13	<i>GS02600651-ND</i>	<i>KIT,757,SGL SEAL,N/C/V,NEW DESIGN</i>	<i>1</i>
	<i>GS02600639-ND</i>	<i>KIT,757,SGL SEAL,C/C/V,NEW DESIGN</i>	<i>1</i>
	<i>GS02600775-ND</i>	<i>KIT,757,DBL SEAL,N/C/N/V,NEW DESIGN</i>	<i>1</i>
	<i>GS02600640-ND</i>	<i>KIT,757,DBL SEAL,C/C/N/V,NEW DESIGN</i>	<i>1</i>
17	GX5077200	CAPSCRW,HX,3/8-16X1-1/4,18-8SS HX HD	4
20	SX03000020	NUT,WING LC SERIES	3
21	SX18000013	COLLAR,56C/140TC,SHAFT L SEE ITEM NOTES	1
24	GX10610105	NUT,HEX,1/2-13,18-8SS L SERIES	1
25	GX10610100	CAPSCRW,HX,1/2-13X3-1/2,18-8SS HX HD	1
26	GX10610405	WASHER,LCK,1/2,18-8SS L SERIES	1

SINGLE SEAL



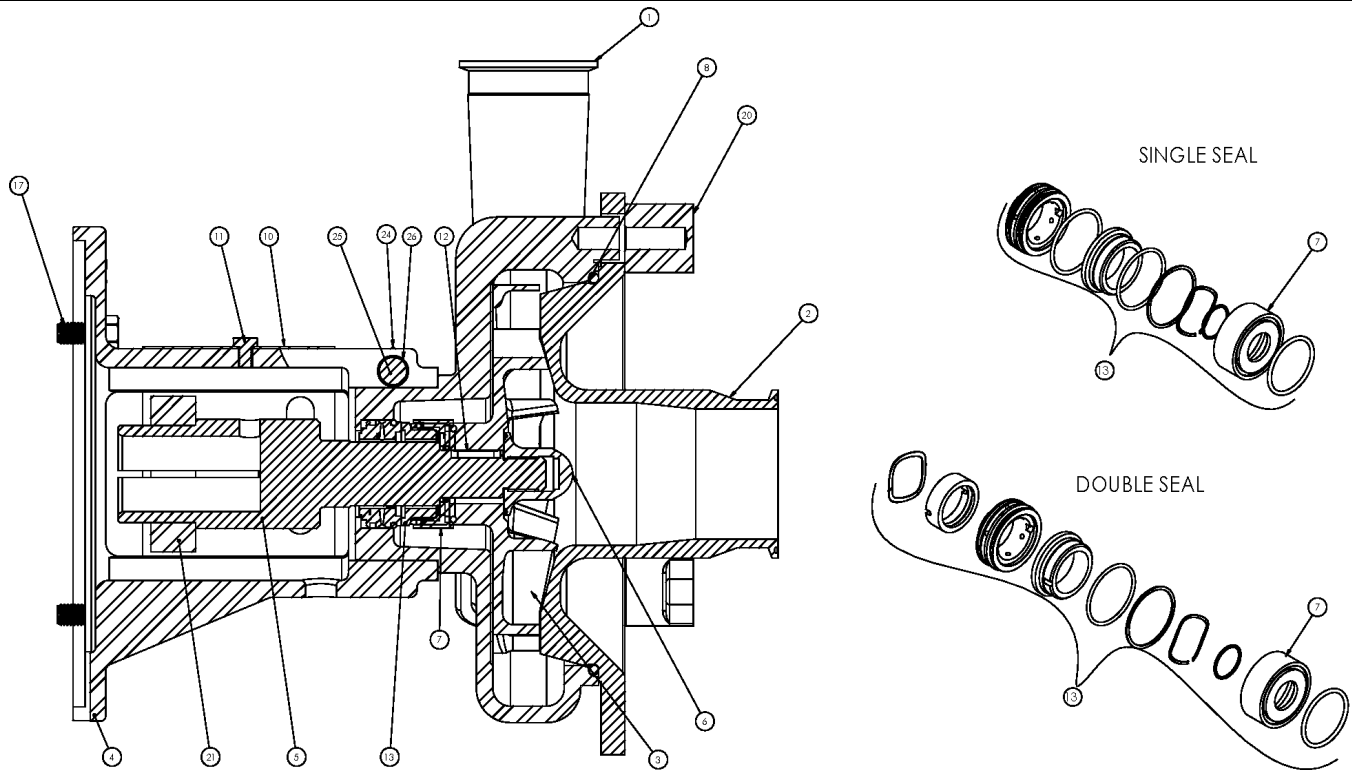
DOUBLE SEAL



Exploded View - Seal Only

Optional Items Shown in ITALICS

Ref #	Component Item No.	Description	Qty Per
7	SX11000037-ND	DRIVER,757,FRNT SEAL,NEW DESGN LF	1
13	GS02600651-ND	KIT,757,SGL SEAL,N/C/V,NEW DESIGN	1
	<i>GS02600639-ND</i>	<i>KIT,757,SGL SEAL,C/C/V,NEW DESIGN</i>	<i>1</i>
	<i>GS02600775-ND</i>	<i>KIT,757,DBL SEAL,N/C/N/V,NEW DESIGN</i>	<i>1</i>
	<i>GS02600640-ND</i>	<i>KIT,757,DBL SEAL,C/C/N/V,NEW DESIGN</i>	<i>1</i>

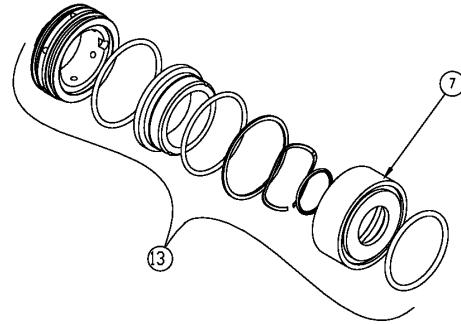


Exploded View

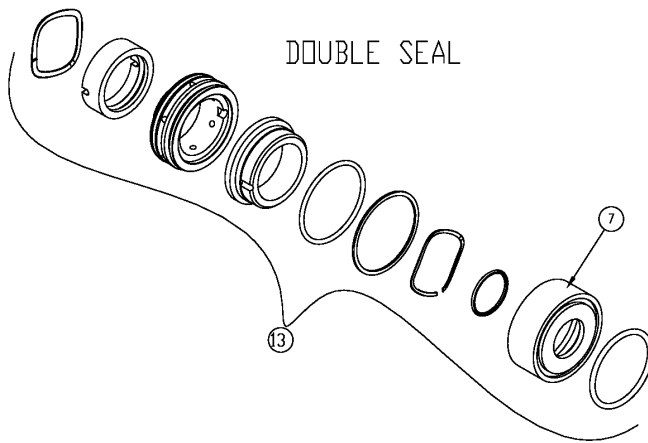
Optional Items Shown in ITALICS

Ref #	Component Item No.	Description	Qty Per
1	SV38610065	CASING,140-250TC,2CLMP L FV530	1
2	SC38620056	COVER,V530,2-1/2 CLAMP L SERIES	1
	SC38620161	COVER,V530,3 CLAMP L SERIES	1
3	SI38630002	IMPELLER,V530,175/22,175 MAX LF LM	1
4	SX10600133	ADAPTER,180-250TC FRAME LF 757 SEAL	1
5	SX20000002	STUBSHAFT,180TC LF 757 SEAL	1
6	SI54000007	NUT,735,IMP,250TC-280TC	1
7	SX11000037-ND	DRIVER,757,FRNT SEAL,NEW DESGN LF	1
8	GX80000334	GASKET,R20/31/V530,CVR,BUNA LC	1
	GX80000351	GASKET,R20/31/V530,CVR,EPDM LC	1
	GX80000335	GASKET,R20/31/V530,CVR,VIT LC	1
10	SX10625088	GUARD,SHAFT,250TC ADPTR LC	1
11	GX48104020	CAPSCRW,HX,1/4-28X3/8,18-8SS HX HD	1
12	SX15000002	KEY,56-280TSC LC	1
13	GS02600651-ND	KIT,757,SGL SEAL,N/C/V,NEW DESIGN	1
	GS02600639-ND	KIT,757,SGL SEAL,C/C/V,NEW DESIGN	1
	GS02600775-ND	KIT,757,DBL SEAL,N/C/NV,NEW DESIGN	1
	GS02600640-ND	KIT,757,DBL SEAL,C/C/NV,NEW DESIGN	1
17	SC1710H-SS	CAPSCRW,HX,1/2-13X1,18-8SS HX HD	4
20	SX03000020	NUT,WING LC SERIES	3
21	SX18000014	COLLAR,180TC,SHAFT LC	1
24	GX10610105	NUT,HEX,1/2-13,18-8SS L SERIES	1
25	GX10610100	CAPSCRW,HX,1/2-13X3-1/2,18-8SS HX HD	1
26	GX10610405	WASHER,LCK,1/2,18-8SS L SERIES	1

SINGLE SEAL



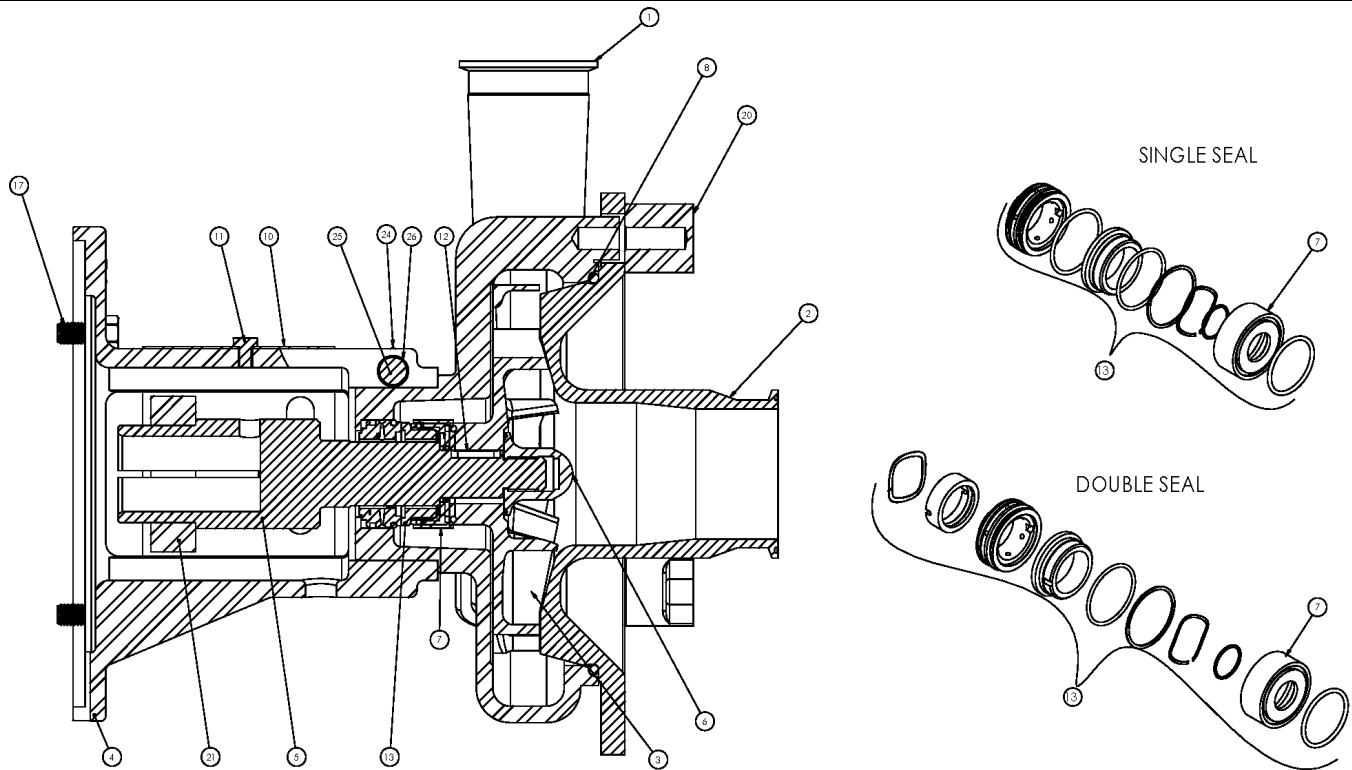
DOUBLE SEAL



Exploded View - Seal Only

Optional Items Shown in ITALICS

Ref #	Component Item No.	Description	Qty Per
7	SX1100037-ND	DRIVER,757,FRNT SEAL,NEW DESGN LF	1
13	GS02600651-ND	KIT,757,SGL SEAL,N/C/V,NEW DESIGN	1
	<i>GS02600639-ND</i>	<i>KIT,757,SGL SEAL,C/C/V,NEW DESIGN</i>	<i>1</i>
	<i>GS02600775-ND</i>	<i>KIT,757,DBL SEAL,N/C/N/V,NEW DESIGN</i>	<i>1</i>
	<i>GS02600640-ND</i>	<i>KIT,757,DBL SEAL,C/C/N/V,NEW DESIGN</i>	<i>1</i>

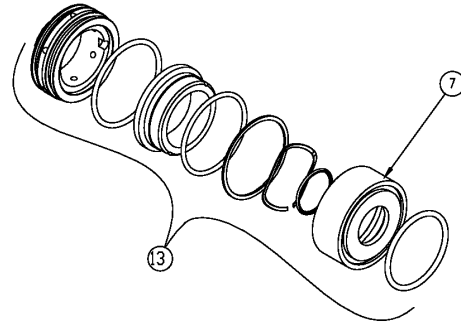


Exploded View

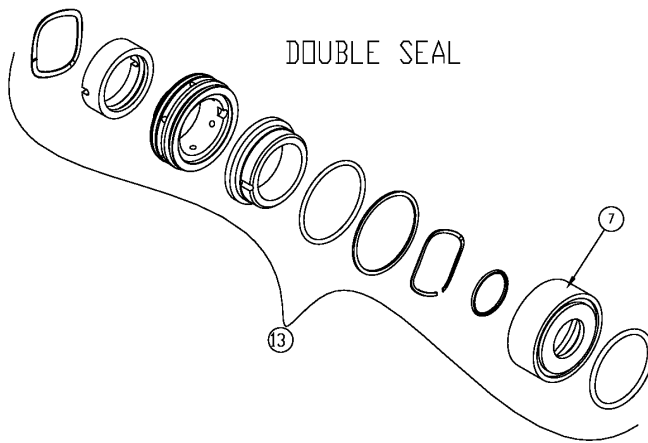
Optional Items Shown in ITALICS

Ref #	Component Item No.	Description	Qty Per
1	SV38610065	CASING,140-250TC,2CLMP L FV530	1
2	SC38620056	COVER,V530,2-1/2 CLAMP L SERIES	1
	<i>SC38620161</i>	<i>COVER,V530,3 CLAMP L SERIES</i>	<i>1</i>
3	SI38630002	IMPELLER,V530,175/22,175 MAX LF LM	1
4	SX10600133	ADAPTER,180-250TC FRAME LF 757 SEAL	1
5	SX20000003	STUBSHAFT,210TC LF 757 SEAL	1
6	SI54000007	NUT,735,IMP,250TC-280TC	1
7	SX11000037-ND	DRIVER,757,FRNT SEAL,NEW DESGN LF	1
8	GX80000334	GASKET,R20/31/V530,CVR,BUNA LC	1
	<i>GX80000351</i>	<i>GASKET,R20/31/V530,CVR,EPDM LC</i>	<i>1</i>
	<i>GX80000335</i>	<i>GASKET,R20/31/V530,CVR,VIT LC</i>	<i>1</i>
10	SX10625088	GUARD,SHAFT,250TC ADPTR LC	1
11	GX48104020	CAPSCRW,HX,1/4-28X3/8,18-8SS HX HD	1
12	SX15000002	KEY,56-280TSC LC	1
13	GS02600651-ND	KIT,757,SGL SEAL,N/C/V,NEW DESIGN	1
	<i>GS02600639-ND</i>	<i>KIT,757,SGL SEAL,C/C/V,NEW DESIGN</i>	<i>1</i>
	<i>GS02600775-ND</i>	<i>KIT,757,DBL SEAL,N/C/NV,NEW DESIGN</i>	<i>1</i>
	<i>GS02600640-ND</i>	<i>KIT,757,DBL SEAL,C/C/NV,NEW DESIGN</i>	<i>1</i>
17	SC1710H-SS	CAPSCRW,HX,1/2-13X1,18-8SS HX HD	4
20	SX03000020	NUT,WING LC SERIES	3
21	SX18000015	COLLAR,210TC,SHAFT LC	1
24	GX10610105	NUT,HEX,1/2-13,18-8SS L SERIES	1
25	GX10610100	CAPSCRW,HX,1/2-13X3-1/2,18-8SS HX HD	1
26	GX10610405	WASHER,LCK,1/2,18-8SS L SERIES	1

SINGLE SEAL



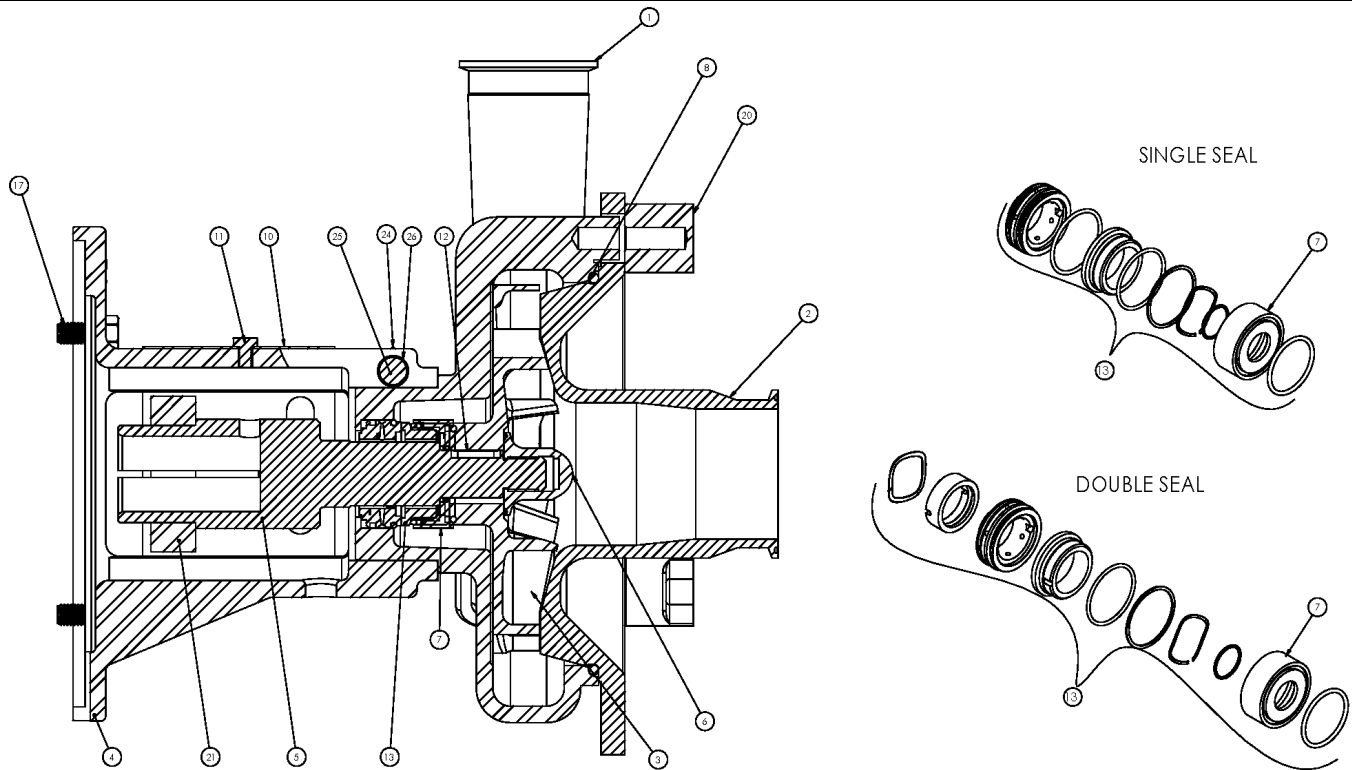
DOUBLE SEAL



Exploded View - Seal Only

Optional Items Shown in ITALICS

Ref #	Component Item No.	Description	Qty Per
7	SX11000037-ND	DRIVER,757,FRNT SEAL,NEW DESGN LF	1
13	GS02600651-ND	KIT,757,SGL SEAL,N/C/V,NEW DESIGN	1
	<i>GS02600639-ND</i>	<i>KIT,757,SGL SEAL,C/C/V,NEW DESIGN</i>	<i>1</i>
	<i>GS02600775-ND</i>	<i>KIT,757,DBL SEAL,N/C/N/V,NEW DESIGN</i>	<i>1</i>
	<i>GS02600640-ND</i>	<i>KIT,757,DBL SEAL,C/C/N/V,NEW DESIGN</i>	<i>1</i>

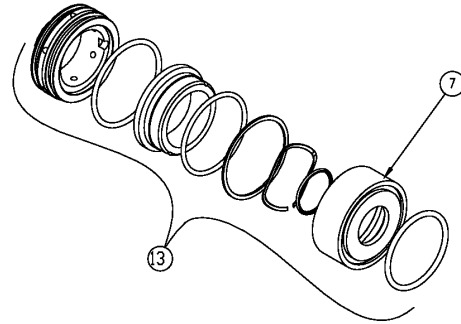


Exploded View

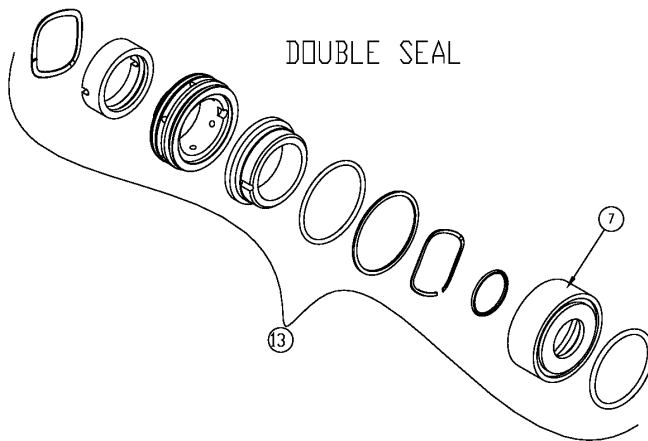
Optional Items Shown in ITALICS

Ref #	Component Item No.	Description	Qty Per
1	SV38610065	CASING,140-250TC,2CLMP L FV530	1
2	SC38620056	COVER,V530,2-1/2 CLAMP L SERIES	1
	SC38620161	COVER,V530,3 CLAMP L SERIES	1
3	SI38630002	IMPELLER,V530,175/22,175 MAX LF LM	1
4	SX10600133	ADAPTER,180-250TC FRAME LF 757 SEAL	1
5	SX20000004	STUBSHAFT,250TC/280TSC LF 757 SEAL	1
6	SI54000007	NUT,735,IMP,250TC-280TC	1
7	SX11000037-ND	DRIVER,757,FRNT SEAL,NEW DESGN LF	1
8	GX80000334	GASKET,R20/31/V530,CVR,BUNA LC	1
	GX80000351	GASKET,R20/31/V530,CVR,EPDM LC	1
	GX80000335	GASKET,R20/31/V530,CVR,VIT LC	1
10	SX10625088	GUARD,SHAFT,250TC ADPTR LC	1
11	GX48104020	CAPSCRW,HX,1/4-28X3/8,18-8SS HX HD	1
12	SX15000002	KEY,56-280TSC LC	1
13	GS02600651-ND	KIT,757,SGL SEAL,N/C/V,NEW DESIGN	1
	GS02600639-ND	KIT,757,SGL SEAL,C/C/V,NEW DESIGN	1
	GS02600775-ND	KIT,757,DBL SEAL,N/C/NV,NEW DESIGN	1
	GS02600640-ND	KIT,757,DBL SEAL,C/C/NV,NEW DESIGN	1
17	SC1710H-SS	CAPSCRW,HX,1/2-13X1,18-8SS HX HD	4
20	SX03000020	NUT,WING LC SERIES	3
21	SX18000016	COLLAR,250TC/280TSC,SHAFT LC	1
24	GX10610105	NUT,HEX,1/2-13,18-8SS L SERIES	1
25	GX10610100	CAPSCRW,HX,1/2-13X3-1/2,18-8SS HX HD	1
26	GX10610405	WASHER,LCK,1/2,18-8SS L SERIES	1

SINGLE SEAL



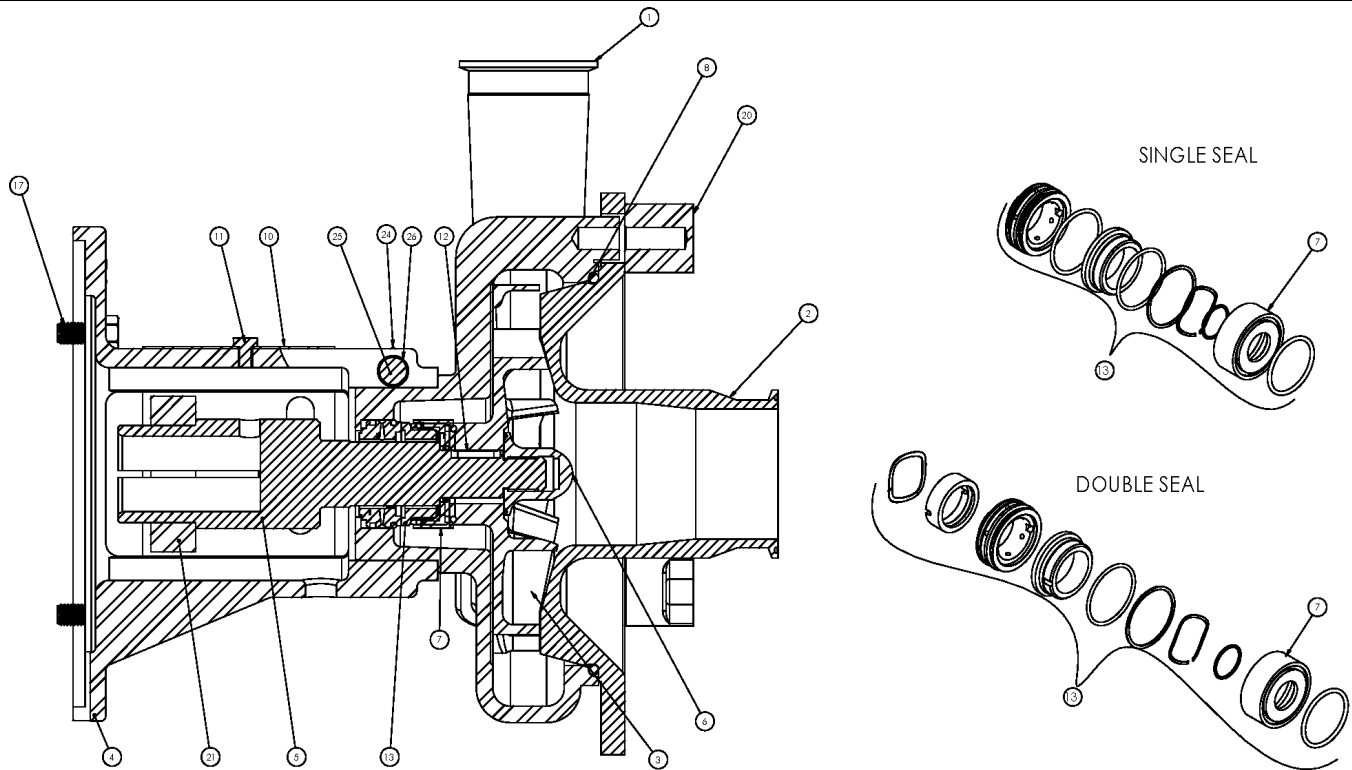
DOUBLE SEAL



Exploded View - Seal Only

Optional Items Shown in ITALICS

Ref #	Component Item No.	Description	Qty Per
7	SX11000037-ND	DRIVER,757,FRNT SEAL,NEW DESGN LF	1
13	GS02600651-ND	KIT,757,SGL SEAL,N/C/V,NEW DESIGN	1
	<i>GS02600639-ND</i>	<i>KIT,757,SGL SEAL,C/C/V,NEW DESIGN</i>	<i>1</i>
	<i>GS02600775-ND</i>	<i>KIT,757,DBL SEAL,N/C/N/V,NEW DESIGN</i>	<i>1</i>
	<i>GS02600640-ND</i>	<i>KIT,757,DBL SEAL,C/C/N/V,NEW DESIGN</i>	<i>1</i>

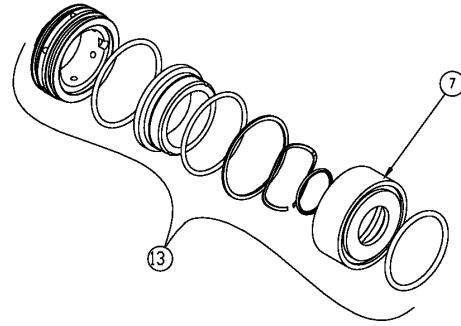


Exploded View

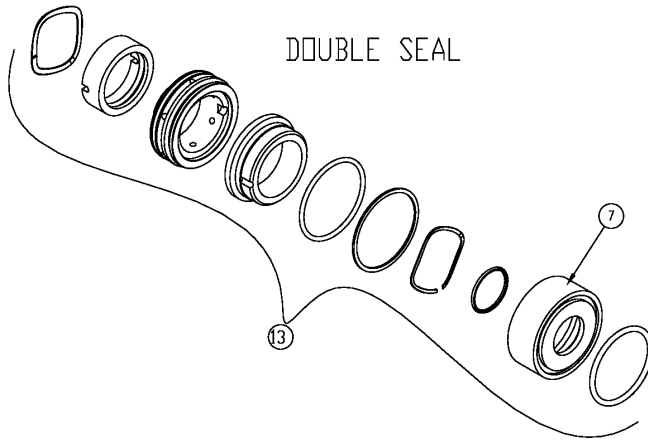
Optional Items Shown in ITALICS

Ref #	Component Item No.	Description	Qty Per
1	SV38610065	CASING,140-250TC,2CLMP L FV530	1
2	SC38620056	COVER,V530,2-1/2 CLAMP L SERIES	1
	SC38620161	COVER,V530,3 CLAMP L SERIES	1
3	SI38630002	IMPELLER,V530,175/22,175 MAX LF LM	1
4	SX10600135	ADAPTER,280TC/TSC FRAME LF 757 SEAL	1
5	SX20000004	STUBSHAFT,250TC/280TSC LF 757 SEAL	1
6	SI54000007	NUT,735,IMP,250TC-280TC	1
7	SX11000037-ND	DRIVER,757,FRNT SEAL,NEW DESGN LF	1
8	GX80000334	GASKET,R20/31/V530,CVR,BUNA LC	1
	GX80000351	GASKET,R20/31/V530,CVR,EPDM LC	1
	GX80000335	GASKET,R20/31/V530,CVR,VIT LC	1
10	SX10628135	GUARD,SHAFT,757,ADPTR LFR LFV SBI SBH	1
11	GX48104020	CAPSCRW,HX,1/4-28X3/8,18-8SS HX HD	1
12	SX15000002	KEY,56-280TSC LC	1
13	GS02600651-ND	KIT,757,SGL SEAL,N/C/V,NEW DESIGN	1
	GS02600639-ND	KIT,757,SGL SEAL,C/C/V,NEW DESIGN	1
	GS02600775-ND	KIT,757,DBL SEAL,N/C/N/V,NEW DESIGN	1
	GS02600640-ND	KIT,757,DBL SEAL,C/C/N/V,NEW DESIGN	1
17	SC1710H-SS	CAPSCRW,HX,1/2-13X1,18-8SS HX HD	4
20	SX03000020	NUT,WING LC SERIES	3
21	SX18000035	COLLAR,250TC/280TSC,SHAFT LC	1
24	GX10610101	CAPSCRW,HX,1/2-13X5,18-8SS HX HD	1
	GX10610105	NUT,HEX,1/2-13,18-8SS L SERIES	1
26	GX10610405	WASHER,LCK,1/2,18-8SS L SERIES	1

SINGLE SEAL



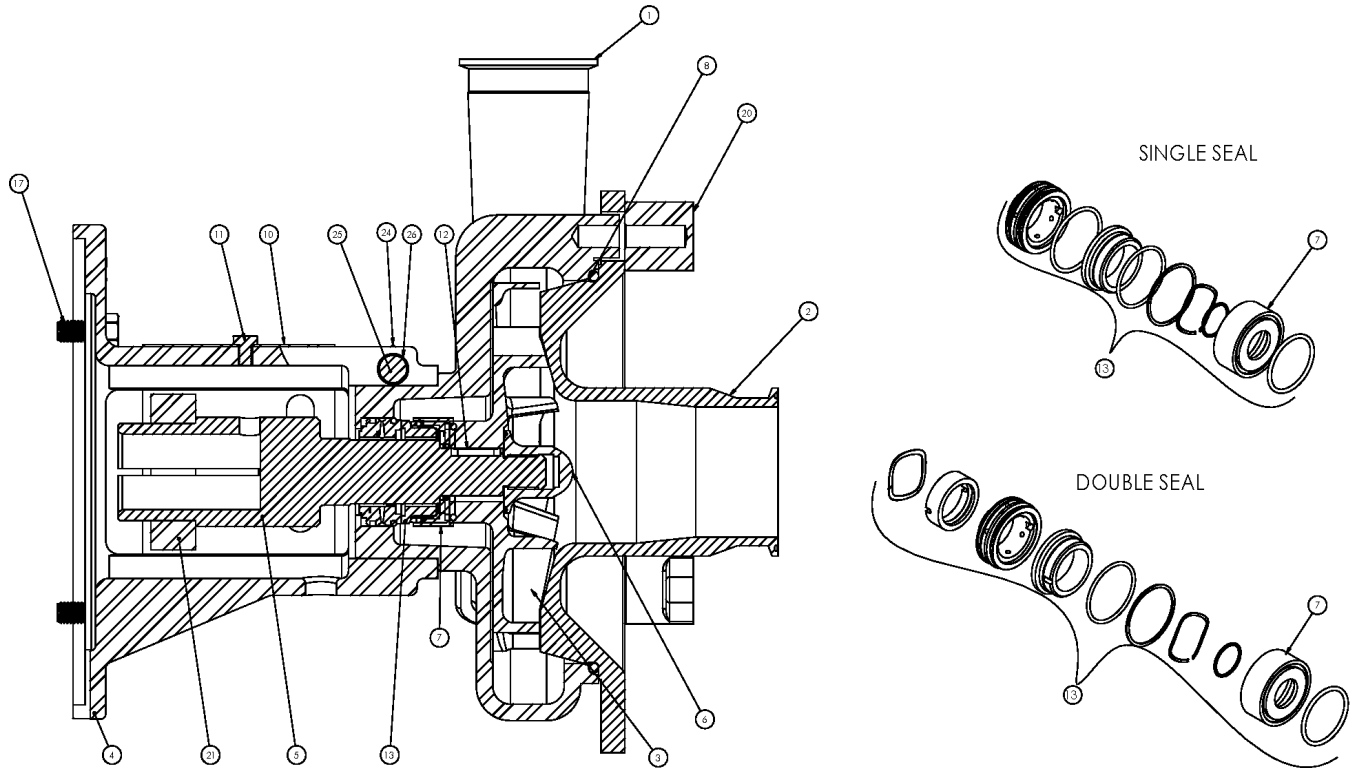
DOUBLE SEAL



Exploded View - Seal Only

Optional Items Shown in ITALICS

Ref #	Component Item No.	Description	Qty Per
7	SX11000037-ND	DRIVER,757,FRNT SEAL,NEW DESGN LF	1
13	GS02600651-ND	KIT,757,SGL SEAL,N/C/V,NEW DESIGN	1
	<i>GS02600639-ND</i>	<i>KIT,757,SGL SEAL,C/C/V,NEW DESIGN</i>	1
	<i>GS02600775-ND</i>	<i>KIT,757,DBL SEAL,N/C/N/V,NEW DESIGN</i>	1
	<i>GS02600640-ND</i>	<i>KIT,757,DBL SEAL,C/C/N/V,NEW DESIGN</i>	1

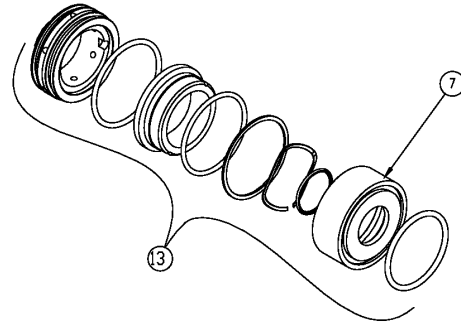


Exploded View

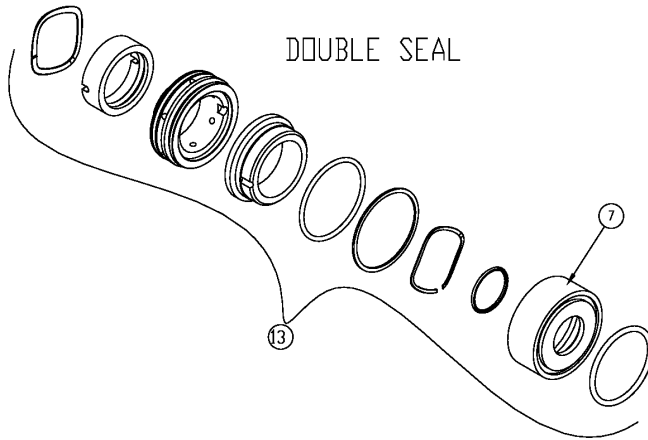
Optional Items Shown in ITALICS

Ref #	Component Item No.	Description	Qty Per
1	SV38610065	CASING,140-250TC,2CLMP L FV530	1
2	SC38620056	COVER,V530,2-1/2 CLAMP L SERIES	1
	SC38620161	COVER,V530,3 CLAMP L SERIES	1
3	SI38630002	IMPELLER,V530,175/22,175 MAX LF LM	1
4	SX10600136	ADAPTER,320TC/TSC FRAME LF 757 SEAL	1
5	SX20000005	STUBSHAFT,280TC/320TSC LF 757 SEAL	1
6	SI54000007	NUT,735,IMP,250TC-280TC	1
7	SX11000037-ND	DRIVER,757,FRNT SEAL,NEW DESGN LF	1
8	GX80000334	GASKET,R20/31/V530,CVR,BUNA LC	1
	GX80000351	GASKET,R20/31/V530,CVR,EPDM LC	1
	GX80000335	GASKET,R20/31/V530,CVR,VIT LC	1
10	SX10628135	GUARD,SHAFT,757,ADPTR LFR LFV SBI SBH	2
11	GX48104020	CAPSCRW,HX,1/4-28X3/8,18-8SS HX HD	1
12	SX15000002	KEY,56-280TSC LC	1
13	GS02600651-ND	KIT,757,SGL SEAL,N/C/V,NEW DESIGN	1
	GS02600639-ND	KIT,757,SGL SEAL,C/C/V,NEW DESIGN	1
	GS02600775-ND	KIT,757,DBL SEAL,N/C/NV,NEW DESIGN	1
	GS02600640-ND	KIT,757,DBL SEAL,C/C/NV,NEW DESIGN	1
17	GX5076700	CAPSCRW,HX,5/8-11X1-1/2,18-8SS HX HD	4
	SC1710H-SS	CAPSCRW,HX,1/2-13X1,18-8SS HX HD	4
20	SX03000020	NUT,WING LC SERIES	3
21	SX18000027	COLLAR,280TC/320TSC,SHAFT LC	1
24	GX10610101	CAPSCRW,HX,1/2-13X5,18-8SS HX HD	1
	GX10610105	NUT,HEX,1/2-13,18-8SS L SERIES	1
26	GX10610405	WASHER,LCK,1/2,18-8SS L SERIES	1

SINGLE SEAL



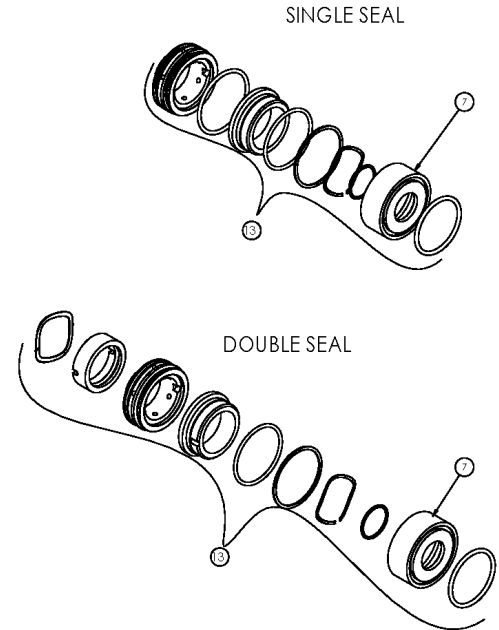
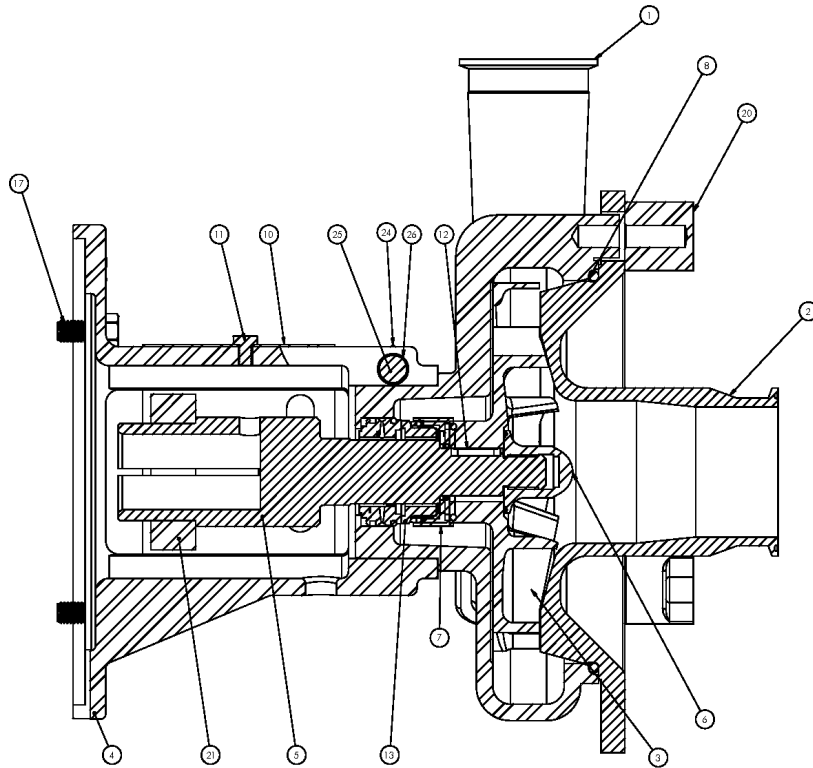
DOUBLE SEAL



Exploded View - Seal Only

Optional Items Shown in ITALICS

Ref #	Component Item No.	Description	Qty Per
7	SX11000037-ND	DRIVER,757,FRNT SEAL,NEW DESGN LF	1
13	GS02600651-ND	KIT,757,SGL SEAL,N/C/V,NEW DESIGN	1
	<i>GS02600639-ND</i>	<i>KIT,757,SGL SEAL,C/C/V,NEW DESIGN</i>	<i>1</i>
	<i>GS02600775-ND</i>	<i>KIT,757,DBL SEAL,N/C/N/V,NEW DESIGN</i>	<i>1</i>
	<i>GS02600640-ND</i>	<i>KIT,757,DBL SEAL,C/C/N/V,NEW DESIGN</i>	<i>1</i>

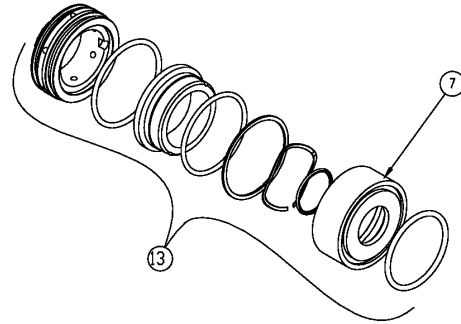


Exploded View

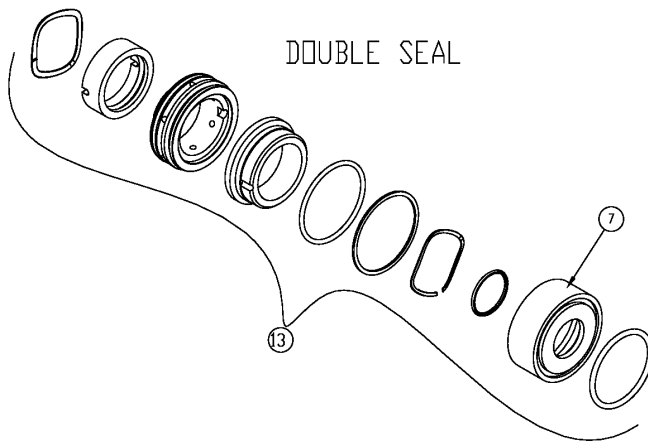
Optional Items Shown in ITALICS

Ref #	Component Item No.	Description	Qty Per
1	SV48610064	CASING,140-320TSC,2-1/2 CLMP LF V540	1
2	SC48620098	COVER,V540,3 CLAMP L SERIES	1
	<i>SC48620245</i>	<i>COVER,V540,4 CLAMP L SERIES</i>	<i>1</i>
3	SI48630224	IMPELLER,V540,205/22,205MAX LC/LD/LF	1
4	SX10600134	ADAPTER,56C-140TC FRAME LF 757 SEAL	1
5	SX20000001	STUBSHAFT,140TC LF 757 SEAL	1
6	SI54000007	NUT,735,IMP,250TC-280TC	1
7	SX11000037-ND	DRIVER,757,FRNT SEAL,NEW DESGN LF	1
8	GX80000336	GASKET,V540,CVR,BUNA LC	1
	<i>GX80000058</i>	<i>GASKET,V540,CVR,EPDM LC</i>	<i>1</i>
	<i>GX80000019</i>	<i>GASKET,V540,CVR,VIT LC</i>	<i>1</i>
10	SX10614087	GUARD,SHAFT,56C-140TC,ADPT +BOLT LC	1
11	GX48104020	CAPSCRW,HX,1/4-28X3/8,18-8SS HX HD	1
12	SX15000002	KEY,56-280TSC LC	1
13	GS02600651-ND	KIT,757,SGL SEAL,N/C/V,NEW DESIGN	1
	<i>GS02600639-ND</i>	<i>KIT,757,SGL SEAL,C/C/V,NEW DESIGN</i>	<i>1</i>
	<i>GS02600775-ND</i>	<i>KIT,757,DBL SEAL,N/C/N/V,NEW DESIGN</i>	<i>1</i>
	<i>GS02600640-ND</i>	<i>KIT,757,DBL SEAL,C/C/N/V,NEW DESIGN</i>	<i>1</i>
17	GX5077200	CAPSCRW,HX,3/8-16X1-1/4,18-8SS HX HD	4
20	SX03000020	NUT,WING LC SERIES	3
21	SX18000013	COLLAR,56C/140TC,SHAFT L SEE ITEM NOTES	1
24	GX10610105	NUT,HEX,1/2-13,18-8SS L SERIES	1
25	GX10610100	CAPSCRW,HX,1/2-13X3-1/2,18-8SS HX HD	1
26	GX10610405	WASHER,LCK,1/2,18-8SS L SERIES	1

SINGLE SEAL



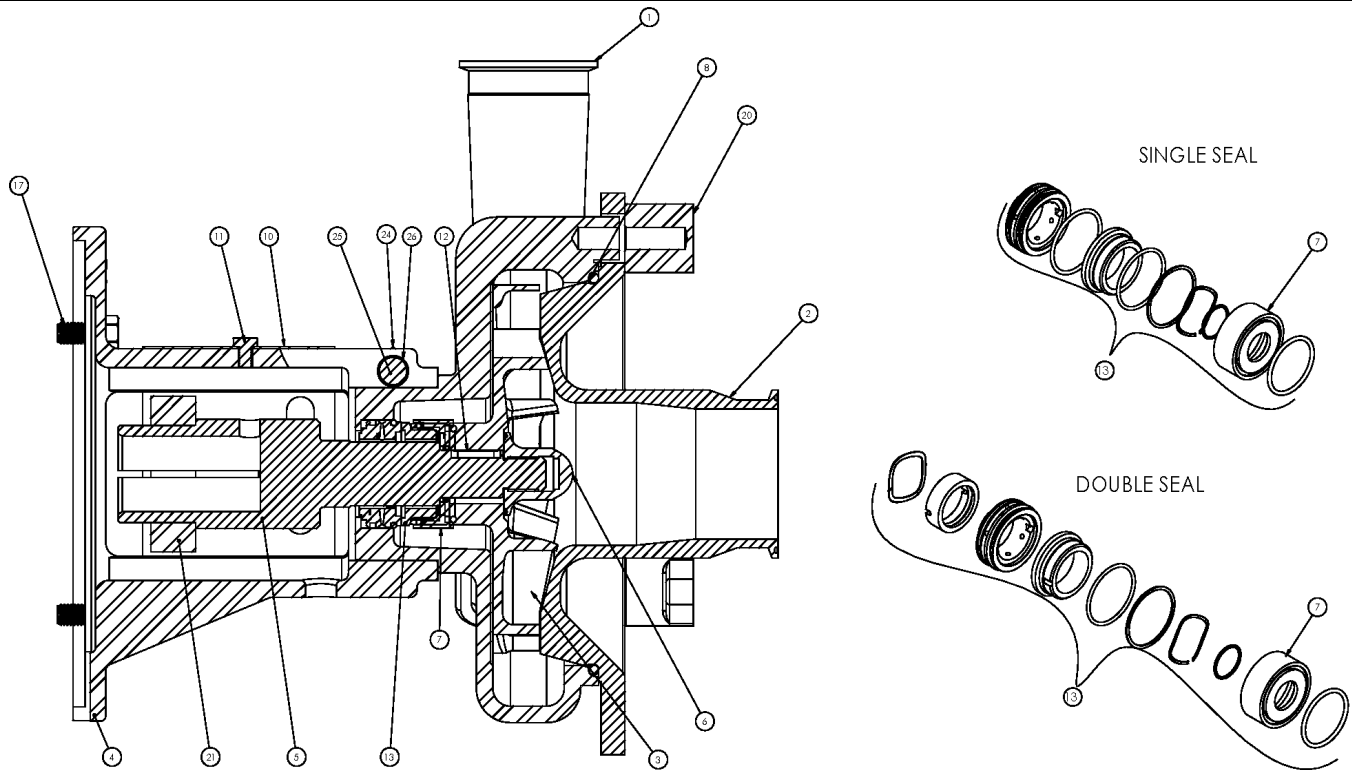
DOUBLE SEAL



Exploded View - Seal Only

Optional Items Shown in ITALICS

Ref #	Component Item No.	Description	Qty Per
7	SX11000037-ND	DRIVER,757,FRNT SEAL,NEW DESGN LF	1
13	GS02600651-ND	KIT,757,SGL SEAL,N/C/V,NEW DESIGN	1
	<i>GS02600639-ND</i>	<i>KIT,757,SGL SEAL,C/C/V,NEW DESIGN</i>	1
	<i>GS02600775-ND</i>	<i>KIT,757,DBL SEAL,N/C/N/V,NEW DESIGN</i>	1
	<i>GS02600640-ND</i>	<i>KIT,757,DBL SEAL,C/C/N/V,NEW DESIGN</i>	1

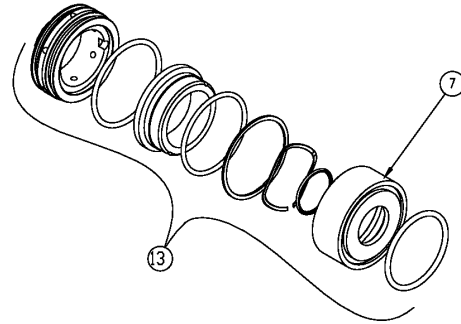


Exploded View

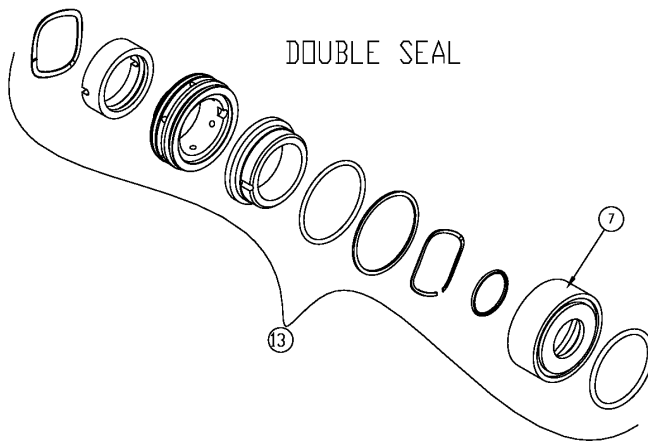
Optional Items Shown in ITALICS

Ref #	Component Item No.	Description	Qty Per
1	SV48610064	CASING,140-320TSC,2-1/2 CLMP LF V540	1
2	SC48620098	COVER,V540,3 CLAMP L SERIES	1
	SC48620245	COVER,V540,4 CLAMP L SERIES	1
3	SI48630224	IMPELLER,V540,205/22,205MAX LC/LD/LF	1
4	SX10600133	ADAPTER,180-250TC FRAME LF 757 SEAL	1
5	SX20000002	STUBSHAFT,180TC LF 757 SEAL	1
6	SI54000007	NUT,735,IMP,250TC-280TC	1
7	SX11000037-ND	DRIVER,757,FRNT SEAL,NEW DESGN LF	1
8	GX80000336	GASKET,V540,CVR,BUNA LC	1
	GX80000058	GASKET,V540,CVR,EPDM LC	1
	GX80000019	GASKET,V540,CVR,VIT LC	1
10	SX10625088	GUARD,SHAFT,250TC ADPTR LC	1
11	GX48104020	CAPSCRW,HX,1/4-28X3/8,18-8SS HX HD	1
12	SX15000002	KEY,56-280TSC LC	1
13	GS02600651-ND	KIT,757,SGL SEAL,N/C/V,NEW DESIGN	1
	GS02600639-ND	KIT,757,SGL SEAL,C/C/V,NEW DESIGN	1
	GS02600775-ND	KIT,757,DBL SEAL,N/C/N/V,NEW DESIGN	1
	GS02600640-ND	KIT,757,DBL SEAL,C/C/N/V,NEW DESIGN	1
17	SC1710H-SS	CAPSCRW,HX,1/2-13X1,18-8SS HX HD	4
20	SX03000020	NUT,WING LC SERIES	5
21	SX18000014	COLLAR,180TC,SHAFT LC	1
24	GX10610105	NUT,HEX,1/2-13,18-8SS L SERIES	1
25	GX10610100	CAPSCRW,HX,1/2-13X3-1/2,18-8SS HX HD	1
26	GX10610405	WASHER,LCK,1/2,18-8SS L SERIES	1

SINGLE SEAL



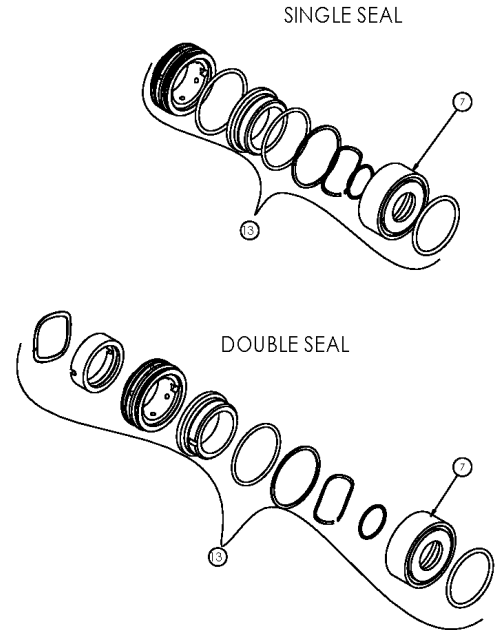
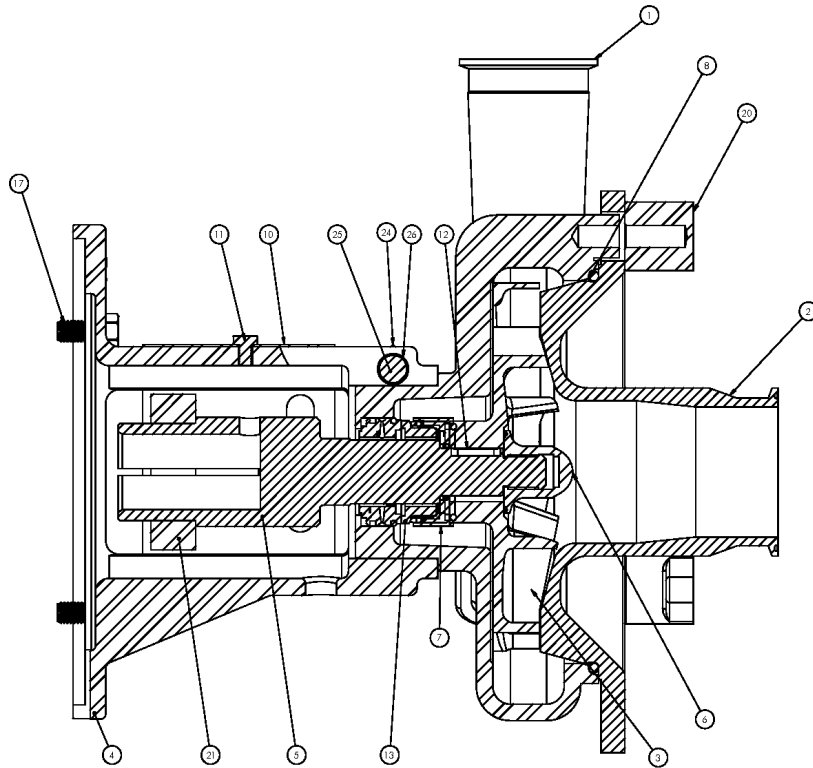
DOUBLE SEAL



Exploded View - Seal Only

Optional Items Shown in ITALICS

Ref #	Component Item No.	Description	Qty Per
7	SX11000037-ND	DRIVER,757,FRNT SEAL,NEW DESGN LF	1
13	GS02600651-ND	KIT,757,SGL SEAL,N/C/V,NEW DESIGN	1
	<i>GS02600639-ND</i>	<i>KIT,757,SGL SEAL,C/C/V,NEW DESIGN</i>	<i>1</i>
	<i>GS02600775-ND</i>	<i>KIT,757,DBL SEAL,N/C/N/V,NEW DESIGN</i>	<i>1</i>
	<i>GS02600640-ND</i>	<i>KIT,757,DBL SEAL,C/C/N/V,NEW DESIGN</i>	<i>1</i>

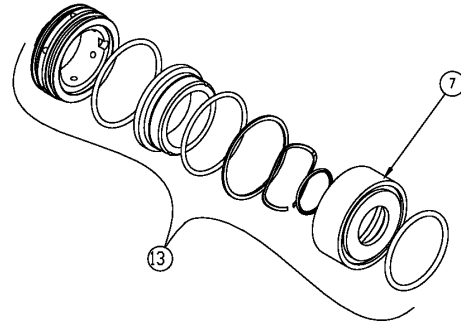


Exploded View

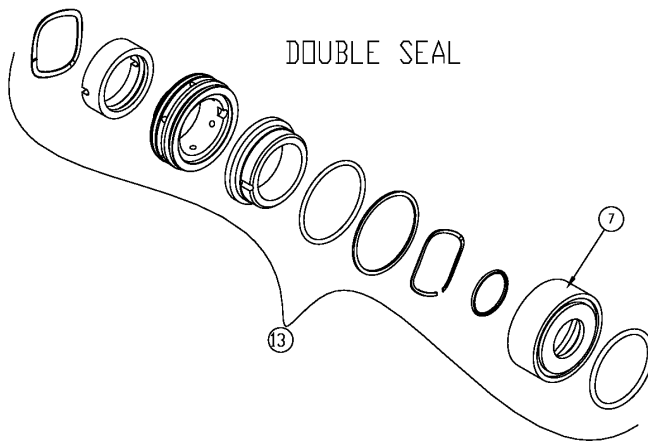
Optional Items Shown in ITALICS

Ref #	Component Item No.	Description	Qty Per
1	SV48610064	CASING,140-320TSC,2-1/2 CLMP LF V540	1
2	SC48620098	COVER,V540,3 CLAMP L SERIES	1
	SC48620245	COVER,V540,4 CLAMP L SERIES	1
3	SI48630224	IMPELLER,V540,205/22,205MAX LC/LD/LF	1
4	SX10600133	ADAPTER,180-250TC FRAME LF 757 SEAL	1
5	SX20000003	STUBSHAFT,210TC LF 757 SEAL	1
6	SI54000007	NUT,735,IMP,250TC-280TC	1
7	SX11000037-ND	DRIVER,757,FRNT SEAL,NEW DESGN LF	1
8	GX80000336	GASKET,V540,CVR,BUNA LC	1
	GX80000058	GASKET,V540,CVR,EPDM LC	1
	GX80000019	GASKET,V540,CVR,VIT LC	1
10	SX10625088	GUARD,SHAFT,250TC ADPTR LC	1
11	GX48104020	CAPSCRW,HX,1/4-28X3/8,18-8SS HX HD	1
12	SX15000002	KEY,56-280TSC LC	1
13	GS02600651-ND	KIT,757,SGL SEAL,N/C/V,NEW DESIGN	1
	GS02600639-ND	KIT,757,SGL SEAL,C/C/V,NEW DESIGN	1
	GS02600775-ND	KIT,757,DBL SEAL,N/C/N/V,NEW DESIGN	1
	GS02600640-ND	KIT,757,DBL SEAL,C/C/N/V,NEW DESIGN	1
17	SC1710H-SS	CAPSCRW,HX,1/2-13X1,18-8SS HX HD	4
20	SX03000020	NUT,WING LC SERIES	5
21	SX18000015	COLLAR,210TC,SHAFT LC	1
24	GX10610105	NUT,HEX,1/2-13,18-8SS L SERIES	1
25	GX10610100	CAPSCRW,HX,1/2-13X3-1/2,18-8SS HX HD	1
26	GX10610405	WASHER,LCK,1/2,18-8SS L SERIES	1

SINGLE SEAL



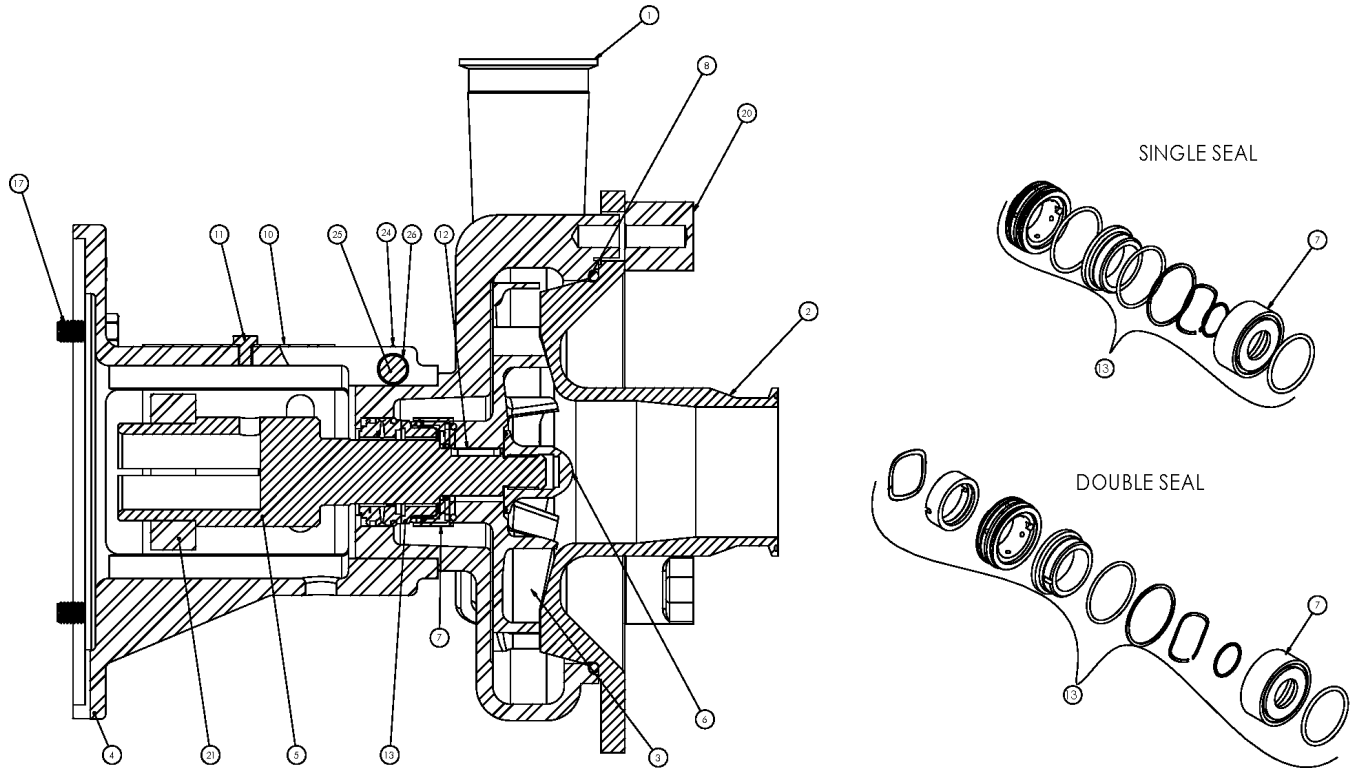
DOUBLE SEAL



Exploded View - Seal Only

Optional Items Shown in ITALICS

Ref #	Component Item No.	Description	Qty Per
7	SX11000037-ND	DRIVER,757,FRNT SEAL,NEW DESGN LF	1
13	GS02600651-ND	KIT,757,SGL SEAL,N/C/V,NEW DESIGN	1
	<i>GS02600639-ND</i>	<i>KIT,757,SGL SEAL,C/C/V,NEW DESIGN</i>	<i>1</i>
	<i>GS02600775-ND</i>	<i>KIT,757,DBL SEAL,N/C/N/V,NEW DESIGN</i>	<i>1</i>
	<i>GS02600640-ND</i>	<i>KIT,757,DBL SEAL,C/C/N/V,NEW DESIGN</i>	<i>1</i>

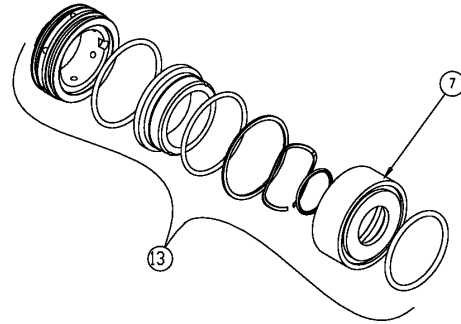


Exploded View

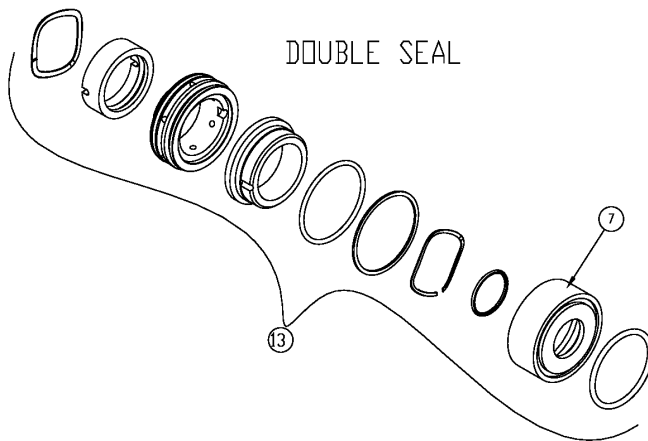
Optional Items Shown in ITALICS

Ref #	Component Item No.	Description	Qty Per
1	SV48610064	CASING,140-320TSC,2-1/2 CLMP LF V540	1
2	SC48620098	COVER,V540,3 CLAMP L SERIES	1
	SC48620245	COVER,V540,4 CLAMP L SERIES	1
3	SI48630224	IMPELLER,V540,205/22,205MAX LC/LD/LF	1
4	SX10600133	ADAPTER,180-250TC FRAME LF 757 SEAL	1
5	SX20000004	STUBSHAFT,250TC/280TSC LF 757 SEAL	1
6	SI54000007	NUT,735,IMP,250TC-280TC	1
7	SX11000037-ND	DRIVER,757,FRNT SEAL,NEW DESGN LF	1
8	GX80000336	GASKET,V540,CVR,BUNA LC	1
	GX80000058	GASKET,V540,CVR,EPDM LC	1
	GX80000019	GASKET,V540,CVR,VIT LC	1
10	SX10625088	GUARD,SHAFT,250TC ADPTR LC	1
11	GX48104020	CAPSCRW,HX,1/4-28X3/8,18-8SS HX HD	1
12	SX15000002	KEY,56-280TSC LC	1
13	GS02600651-ND	KIT,757,SGL SEAL,N/C/V,NEW DESIGN	1
	GS02600639-ND	KIT,757,SGL SEAL,C/C/V,NEW DESIGN	1
	GS02600775-ND	KIT,757,DBL SEAL,N/C/N/V,NEW DESIGN	1
	GS02600640-ND	KIT,757,DBL SEAL,C/C/N/V,NEW DESIGN	1
17	SC1710H-SS	CAPSCRW,HX,1/2-13X1,18-8SS HX HD	4
20	SX03000020	NUT,WING LC SERIES	5
21	SX18000016	COLLAR,250TC/280TSC,SHAFT LC	1
24	GX10610105	NUT,HEX,1/2-13,18-8SS L SERIES	1
25	GX10610100	CAPSCRW,HX,1/2-13X3-1/2,18-8SS HX HD	1
26	GX10610405	WASHER,LCK,1/2,18-8SS L SERIES	1

SINGLE SEAL



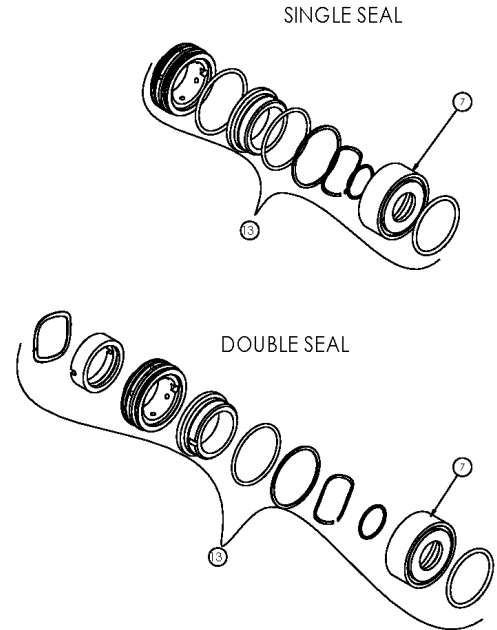
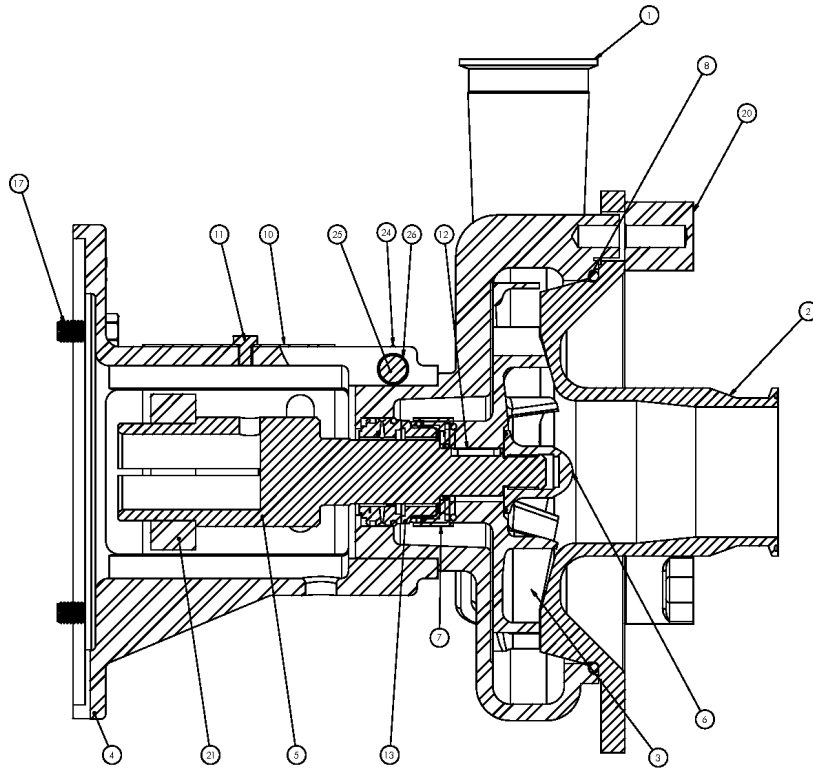
DOUBLE SEAL



Exploded View - Seal Only

Optional Items Shown in ITALICS

Ref #	Component Item No.	Description	Qty Per
7	SX11000037-ND	DRIVER,757,FRNT SEAL,NEW DESGN LF	1
13	GS02600651-ND	KIT,757,SGL SEAL,N/C/V,NEW DESIGN	1
	<i>GS02600639-ND</i>	<i>KIT,757,SGL SEAL,C/C/V,NEW DESIGN</i>	1
	<i>GS02600775-ND</i>	<i>KIT,757,DBL SEAL,N/C/N/V,NEW DESIGN</i>	1
	<i>GS02600640-ND</i>	<i>KIT,757,DBL SEAL,C/C/N/V,NEW DESIGN</i>	1

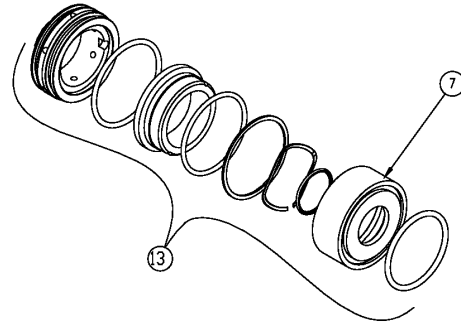


Exploded View

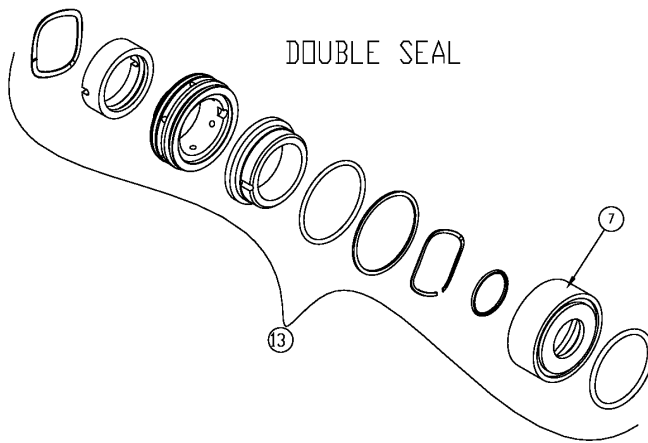
Optional Items Shown in ITALICS

Ref #	Component Item No.	Description	Qty Per
1	SV48610064	CASING,140-320TSC,2-1/2 CLMP LF V540	1
2	SC48620098	COVER,V540,3 CLAMP L SERIES	1
	<i>SC48620245</i>	<i>COVER,V540,4 CLAMP L SERIES</i>	1
3	SI48630224	IMPELLER,V540,205/22,205MAX LC/LD/LF	1
4	SX10600135	ADAPTER,280TC/TSC FRAME LF 757 SEAL	1
5	SX20000004	STUBSHAFT,250TC/280TSC LF 757 SEAL	1
6	SI54000007	NUT,735,IMP,250TC-280TC	1
7	SX11000037-ND	DRIVER,757,FRNT SEAL,NEW DESGN LF	1
8	GX80000336	GASKET,V540,CVR,BUNA LC	1
	<i>GX80000058</i>	<i>GASKET,V540,CVR,EPDM LC</i>	1
	<i>GX80000019</i>	<i>GASKET,V540,CVR,VIT LC</i>	1
10	SX10628135	GUARD,SHAFT,757,ADPTR LFR LFV SBI SBH	1
11	GX48104020	CAPSCRW,HX,1/4-28X3/8,18-8SS HX HD	1
12	SX15000002	KEY,56-280TSC LC	1
13	GS02600651-ND	KIT,757,SGL SEAL,N/C/V,NEW DESIGN	1
	<i>GS02600639-ND</i>	<i>KIT,757,SGL SEAL,C/C/V,NEW DESIGN</i>	1
	<i>GS02600775-ND</i>	<i>KIT,757,DBL SEAL,N/C/N/V,NEW DESIGN</i>	1
	<i>GS02600640-ND</i>	<i>KIT,757,DBL SEAL,C/C/N/V,NEW DESIGN</i>	1
17	SC1710H-SS	CAPSCRW,HX,1/2-13X1,18-8SS HX HD	4
20	SX03000020	NUT,WING LC SERIES	5
21	SX18000035	COLLAR,250TC/280TSC,SHAFT LC	1
24	GX10610101	CAPSCRW,HX,1/2-13X5,18-8SS HX HD	1
	GX10610105	NUT,HEX,1/2-13,18-8SS L SERIES	1
26	GX10610405	WASHER,LCK,1/2,18-8SS L SERIES	1

SINGLE SEAL



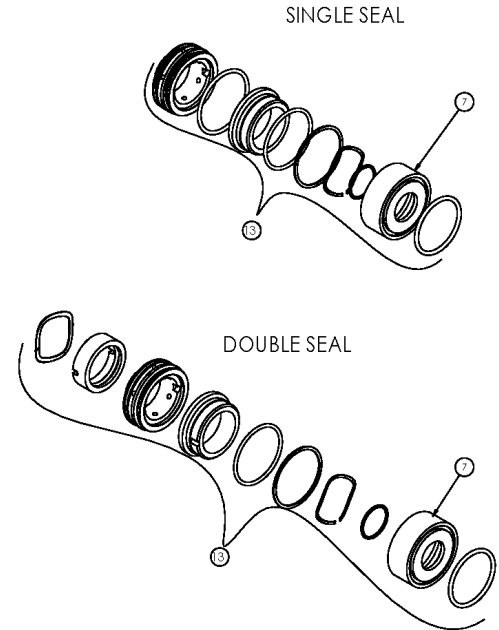
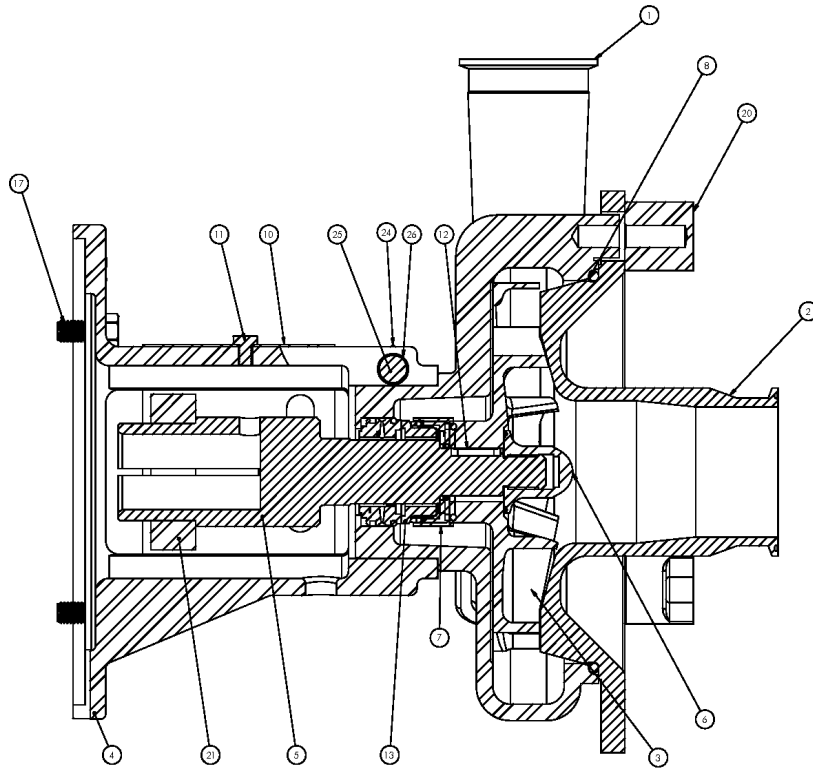
DOUBLE SEAL



Exploded View - Seal Only

Optional Items Shown in ITALICS

Ref #	Component Item No.	Description	Qty Per
7	SX11000037-ND	DRIVER,757,FRNT SEAL,NEW DESGN LF	1
13	GS02600651-ND	KIT,757,SGL SEAL,N/C/V,NEW DESIGN	1
	<i>GS02600639-ND</i>	<i>KIT,757,SGL SEAL,C/C/V,NEW DESIGN</i>	<i>1</i>
	<i>GS02600775-ND</i>	<i>KIT,757,DBL SEAL,N/C/N/V,NEW DESIGN</i>	<i>1</i>
	<i>GS02600640-ND</i>	<i>KIT,757,DBL SEAL,C/C/N/V,NEW DESIGN</i>	<i>1</i>

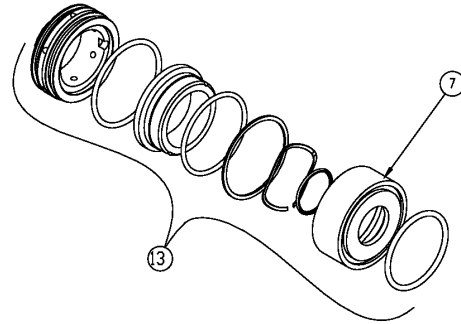


Exploded View

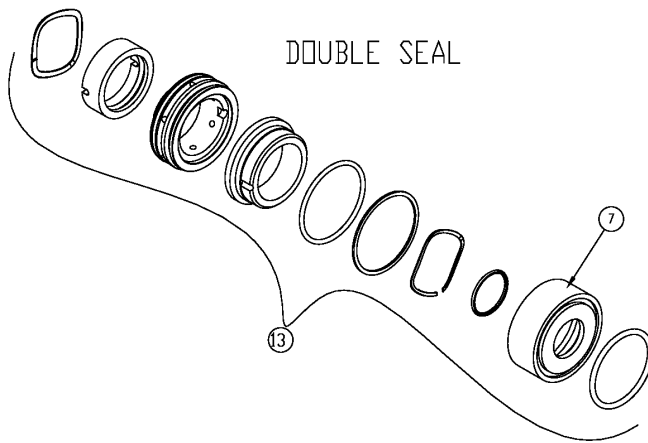
Optional Items Shown in ITALICS

Ref #	Component Item No.	Description	Qty Per
1	SV48610064	CASING,140-320TSC,2-1/2 CLMP LF V540	1
2	SC48620098	COVER,V540,3 CLAMP L SERIES	1
	<i>SC48620245</i>	<i>COVER,V540,4 CLAMP L SERIES</i>	1
3	SI48630224	IMPELLER,V540,205/22,205MAX LC/LD/LF	1
4	SX10600136	ADAPTER,320TC/TSC FRAME LF 757 SEAL	1
5	SX20000005	STUBSHAFT,280TC/320TSC LF 757 SEAL	1
6	SI54000007	NUT,735,IMP,250TC-280TC	1
7	SX11000037-ND	DRIVER,757,FRNT SEAL,NEW DESGN LF	1
8	GX80000336	GASKET,V540,CVR,BUNA LC	1
	<i>GX80000058</i>	<i>GASKET,V540,CVR,EPDM LC</i>	1
	<i>GX80000019</i>	<i>GASKET,V540,CVR,VIT LC</i>	1
10	SX10628135	GUARD,SHAFT,757,ADPTR LFR LFV SBI SBH	1
11	GX48104020	CAPSCRW,HX,1/4-28X3/8,18-8SS HX HD	1
12	SX15000002	KEY,56-280TSC LC	1
13	GS02600651-ND	KIT,757,SGL SEAL,N/C/V,NEW DESIGN	1
	<i>GS02600639-ND</i>	<i>KIT,757,SGL SEAL,C/C/V,NEW DESIGN</i>	1
	<i>GS02600775-ND</i>	<i>KIT,757,DBL SEAL,N/C/NV,NEW DESIGN</i>	1
	<i>GS02600640-ND</i>	<i>KIT,757,DBL SEAL,C/C/NV,NEW DESIGN</i>	1
17	GX5076700	CAPSCRW,HX,5/8-11X1-1/2,18-8SS HX HD	4
	SC1710H-SS	CAPSCRW,HX,1/2-13X1,18-8SS HX HD	4
20	SX03000020	NUT,WING LC SERIES	5
21	SX18000027	COLLAR,280TC/320TSC,SHAFT LC	1
24	GX10610101	CAPSCRW,HX,1/2-13X5,18-8SS HX HD	1
	GX10610105	NUT,HEX,1/2-13,18-8SS L SERIES	1
26	GX10610405	WASHER,LCK,1/2,18-8SS L SERIES	1

SINGLE SEAL



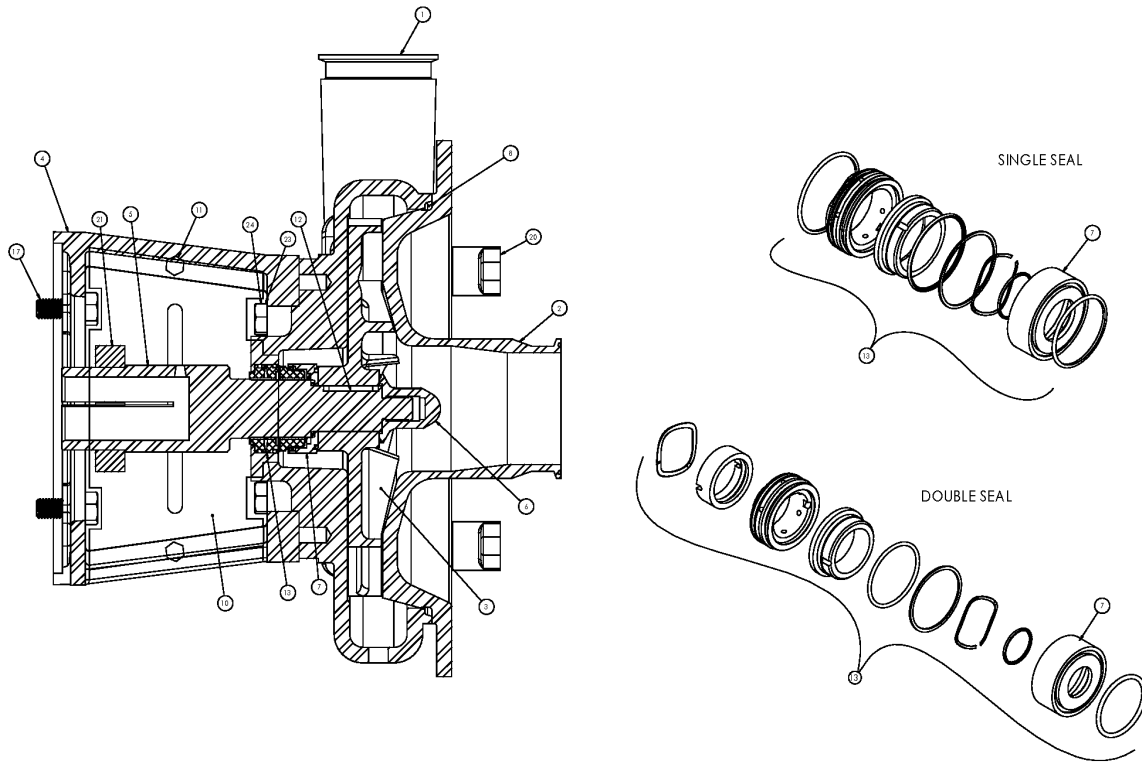
DOUBLE SEAL



Exploded View - Seal Only

Optional Items Shown in ITALICS

Ref #	Component Item No.	Description	Qty Per
7	SX11000037-ND	DRIVER,757,FRNT SEAL,NEW DESGN LF	1
13	GS02600651-ND	KIT,757,SGL SEAL,N/C/V,NEW DESIGN	1
	<i>GS02600639-ND</i>	<i>KIT,757,SGL SEAL,C/C/V,NEW DESIGN</i>	<i>1</i>
	<i>GS02600775-ND</i>	<i>KIT,757,DBL SEAL,N/C/N/V,NEW DESIGN</i>	<i>1</i>
	<i>GS02600640-ND</i>	<i>KIT,757,DBL SEAL,C/C/N/V,NEW DESIGN</i>	<i>1</i>

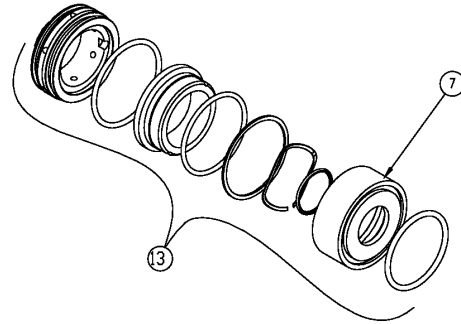


Exploded View

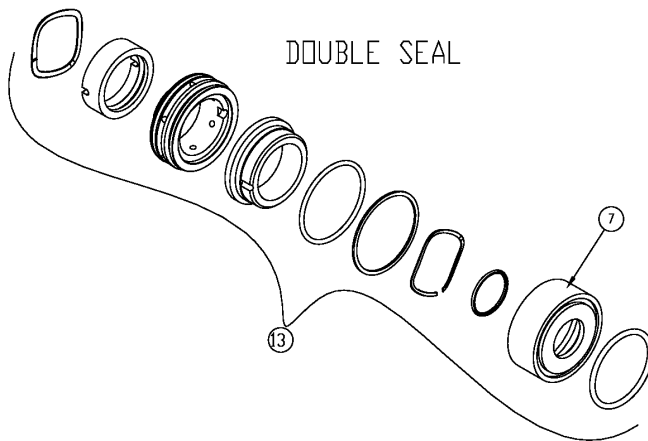
Optional Items Shown in ITALICS

Ref #	Component Item No.	Description	Qty Per
1	SV58610063	CASING,180-320TSC,2-1/2 CLMP LF V550	1
2	SC58620074	COVER,V550,3 CLAMP L SERIES	1
	<i>SC58620286</i>	<i>COVER,V550,REDUCING,4 CLAMP L SERIES</i>	<i>1</i>
3	SI58630000	IMPELLER,V550/250/30,250MAX, EXTD HUB LF	1
4	SX10600137	ADAPTER,180-250TC FRAME LF 758 SEAL	1
5	SX20000006	STUBSHAFT,180TC LF 758 SEAL	1
6	SI54000005	NUT,735/736,IMP,EXT HUB LC	1
7	SX11000038-ND	SEAL,758,FRNT DRVR,NEW DESIGN LF	1
8	GX80000339	GASKET,V450/550,CVR,BUNA LC	1
	<i>GX80000352</i>	<i>GASKET,V450/550,CVR,EPDM LC</i>	<i>1</i>
	<i>GX80000340</i>	<i>GASKET,V450/550,CVR,VIT LC</i>	<i>1</i>
10	SX10618137	GUARD,SHAFT,758,ADPTR LFR LFV LFX SBH SBI SBV	2
11	GX48104020	CAPSCRW,HX,1/4-28X3/8,18-8SS HX HD	4
12	SX15000023	KEY, LC, 320TSC	1
13	GS02600653-ND	KIT,758,SGL SEAL,N/C/V,NEW DESIGN	1
	<i>GS02600641-ND</i>	<i>KIT,758,SGL SEAL,C/C/V,NEW DESIGN</i>	<i>1</i>
	<i>GS02600812-ND</i>	<i>KIT,758,DBL SEAL,N/C/N/V,NEW DESIGN</i>	<i>1</i>
	<i>GS02600642-ND</i>	<i>KIT,758,DBL SEAL,C/C/N/V,NEW DESIGN</i>	<i>1</i>
17	SC1710H-SS	CAPSCRW,HX,1/2-13X1,18-8SS HX HD	4
20	SX03000020	NUT,WING LC SERIES	5
21	SX18000014	COLLAR,180TC,SHAFT LC	1
23	GX10610405	WASHER,LCK,1/2,18-8SS L SERIES	4
24	GX10610400	CAPSCRW,HX,M12-1.75X30MM,18-8S HX HD	4

SINGLE SEAL



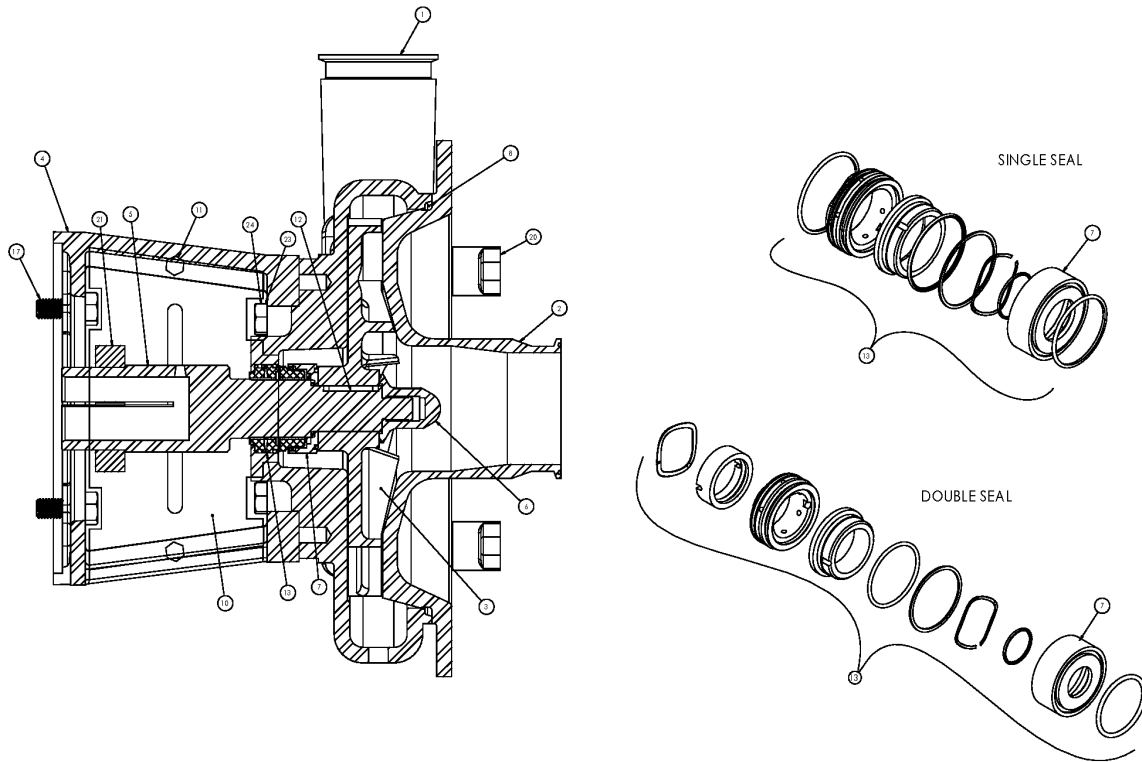
DOUBLE SEAL



Exploded View - Seal Only

Optional Items Shown in ITALICS

Ref #	Component Item No.	Description	Qty Per
7	SX11000038-ND	SEAL,758,FRNT DRVR,NEW DESIGN LF	1
13	GS02600653-ND	KIT,758,SGL SEAL,N/C/V,NEW DESIGN	1
	<i>GS02600641-ND</i>	<i>KIT,758,SGL SEAL,C/C/V,NEW DESIGN</i>	<i>1</i>
	<i>GS02600812-ND</i>	<i>KIT,758,DBL SEAL,N/C/N/V,NEW DESIGN</i>	<i>1</i>
	<i>GS02600642-ND</i>	<i>KIT,758,DBL SEAL,C/C/N/V,NEW DESIGN</i>	<i>1</i>

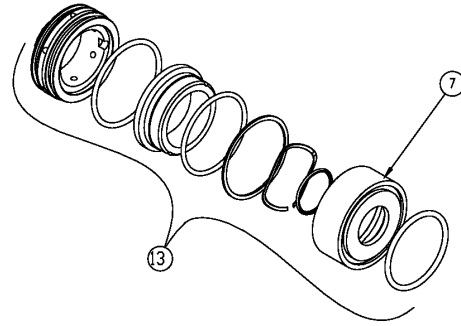


Exploded View

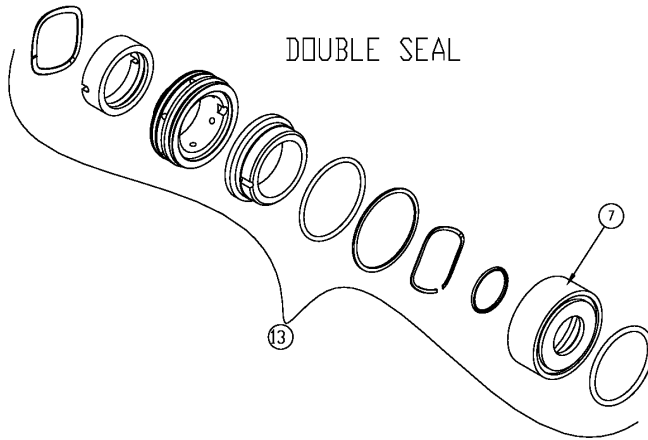
Optional Items Shown in ITALICS

Ref #	Component Item No.	Description	Qty Per
1	SV58610063	CASING,180-320TSC,2-1/2 CLMP LF V550	1
2	SC58620074	COVER,V550,3 CLAMP L SERIES	1
	SC58620286	COVER,V550,REDUCING,4 CLAMP L SERIES	1
3	SI58630000	IMPELLER,V550/250/30,250MAX, EXTD HUB LF	1
4	SX10600137	ADAPTER,180-250TC FRAME LF 758 SEAL	1
5	SX20000007	STUBSHAFT,210TC LF 758 SEAL	1
6	SI54000005	NUT,735/736,IMP,EXT HUB LC	1
7	SX11000038-ND	SEAL,758,FRNT DRVR,NEW DESIGN LF	1
8	GX80000339	GASKET,V450/550,CVR,BUNA LC	1
	GX80000352	GASKET,V450/550,CVR,EPDM LC	1
	GX80000340	GASKET,V450/550,CVR,VIT LC	1
10	SX10618137	GUARD,SHAFT,758,ADPTR LFR LFV LFX SBH SBI SBV	2
11	GX48104020	CAPSCRW,HX,1/4-28X3/8,18-8SS HX HD	4
12	SX15000023	KEY, LC, 320TSC	1
13	GS02600653-ND	KIT,758,SGL SEAL,N/C/V,NEW DESIGN	1
	GS02600641-ND	KIT,758,SGL SEAL,C/C/V,NEW DESIGN	1
	GS02600812-ND	KIT,758,DBL SEAL,N/C/N/V,NEW DESIGN	1
	GS02600642-ND	KIT,758,DBL SEAL,C/C/N/V,NEW DESIGN	1
17	SC1710H-SS	CAPSCRW,HX,1/2-13X1,18-8SS HX HD	4
20	SX03000020	NUT,WING LC SERIES	5
21	SX18000015	COLLAR,210TC,SHAFT LC	1
23	GX10610405	WASHER,LCK,1/2,18-8SS L SERIES	4
24	GX10610400	CAPSCRW,HX,M12-1.75X30MM,18-8S HX HD	4

SINGLE SEAL



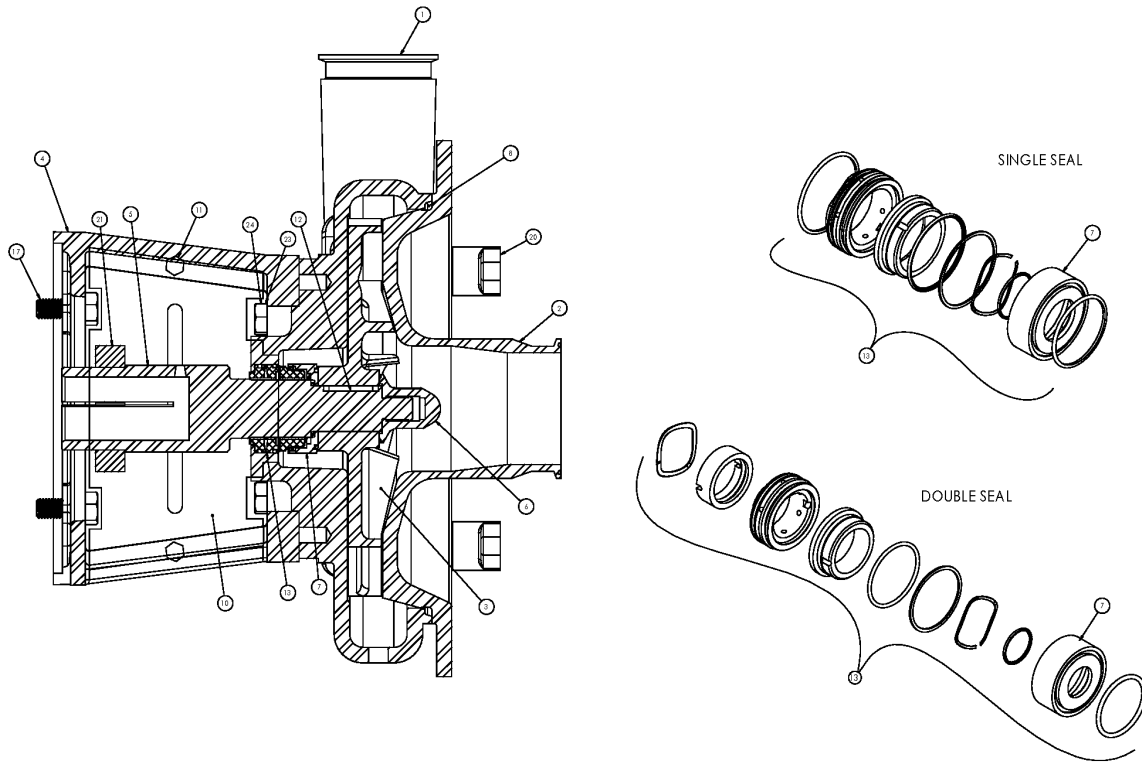
DOUBLE SEAL



Exploded View - Seal Only

Optional Items Shown in ITALICS

Ref #	Component Item No.	Description	Qty Per
7	SX11000038-ND	SEAL,758,FRNT DRVR,NEW DESIGN LF	1
13	GS02600653-ND	KIT,758,SGL SEAL,N/C/V,NEW DESIGN	1
	<i>GS02600641-ND</i>	<i>KIT,758,SGL SEAL,C/C/V,NEW DESIGN</i>	<i>1</i>
	<i>GS02600812-ND</i>	<i>KIT,758,DBL SEAL,N/C/N/V,NEW DESIGN</i>	<i>1</i>
	<i>GS02600642-ND</i>	<i>KIT,758,DBL SEAL,C/C/N/V,NEW DESIGN</i>	<i>1</i>

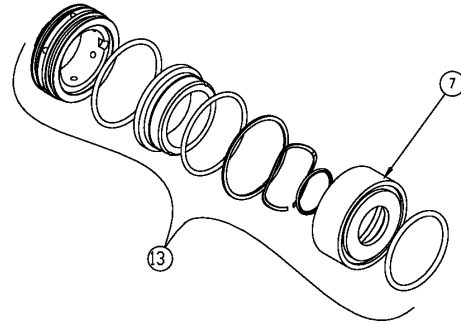


Exploded View

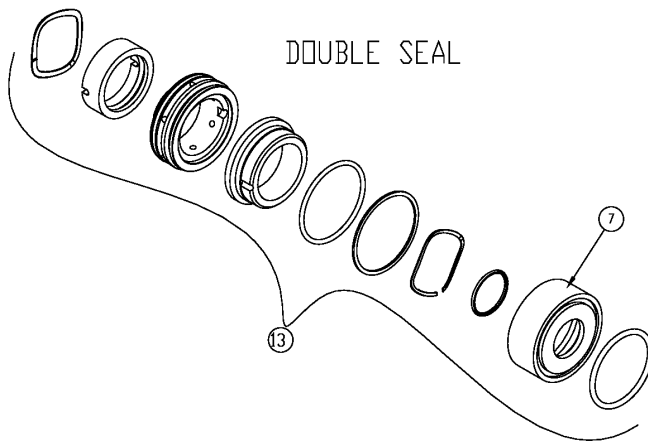
Optional Items Shown in ITALICS

Ref #	Component Item No.	Description	Qty Per
1	SV58610063	CASING,180-320TSC,2-1/2 CLMP LF V550	1
2	SC58620074	COVER,V550,3 CLAMP L SERIES	1
	<i>SC58620286</i>	<i>COVER,V550,REDUCING,4 CLAMP L SERIES</i>	1
3	SI58630000	IMPELLER,V550/250/30,250MAX, EXTD HUB LF	1
4	SX10600137	ADAPTER,180-250TC FRAME LF 758 SEAL	1
5	SX20000008	STUBSHAFT,250TC LF 758 SEAL	1
6	SI54000005	NUT,735/736,IMP,EXT HUB LC	1
7	SX11000038-ND	SEAL,758,FRNT DRVR,NEW DESIGN LF	1
8	GX80000339	GASKET,V450/550,CVR,BUNA LC	1
	<i>GX80000352</i>	<i>GASKET,V450/550,CVR,EPDM LC</i>	1
	<i>GX80000340</i>	<i>GASKET,V450/550,CVR,VIT LC</i>	1
10	SX10618137	GUARD,SHAFT,758,ADPTR LFR LFV LFX SBH SBI SBV	1
11	GX48104020	CAPSCRW,HX,1/4-28X3/8,18-8SS HX HD	4
12	SX15000023	KEY, LC, 320TSC	1
13	GS02600653-ND	KIT,758,SGL SEAL,N/C/V,NEW DESIGN	1
	<i>GS02600641-ND</i>	<i>KIT,758,SGL SEAL,C/C/V,NEW DESIGN</i>	1
	<i>GS02600812-ND</i>	<i>KIT,758,DBL SEAL,N/C/N/V,NEW DESIGN</i>	1
	<i>GS02600642-ND</i>	<i>KIT,758,DBL SEAL,C/C/N/V,NEW DESIGN</i>	1
17	SC1710H-SS	CAPSCRW,HX,1/2-13X1,18-8SS HX HD	4
20	SX03000020	NUT,WING LC SERIES	5
21	SX18000016	COLLAR,250TC/280TSC,SHAFT LC	1
23	GX10610405	WASHER,LCK,1/2,18-8SS L SERIES	4
24	GX10610400	CAPSCRW,HX,M12-1.75X30MM,18-8S HX HD	4

SINGLE SEAL



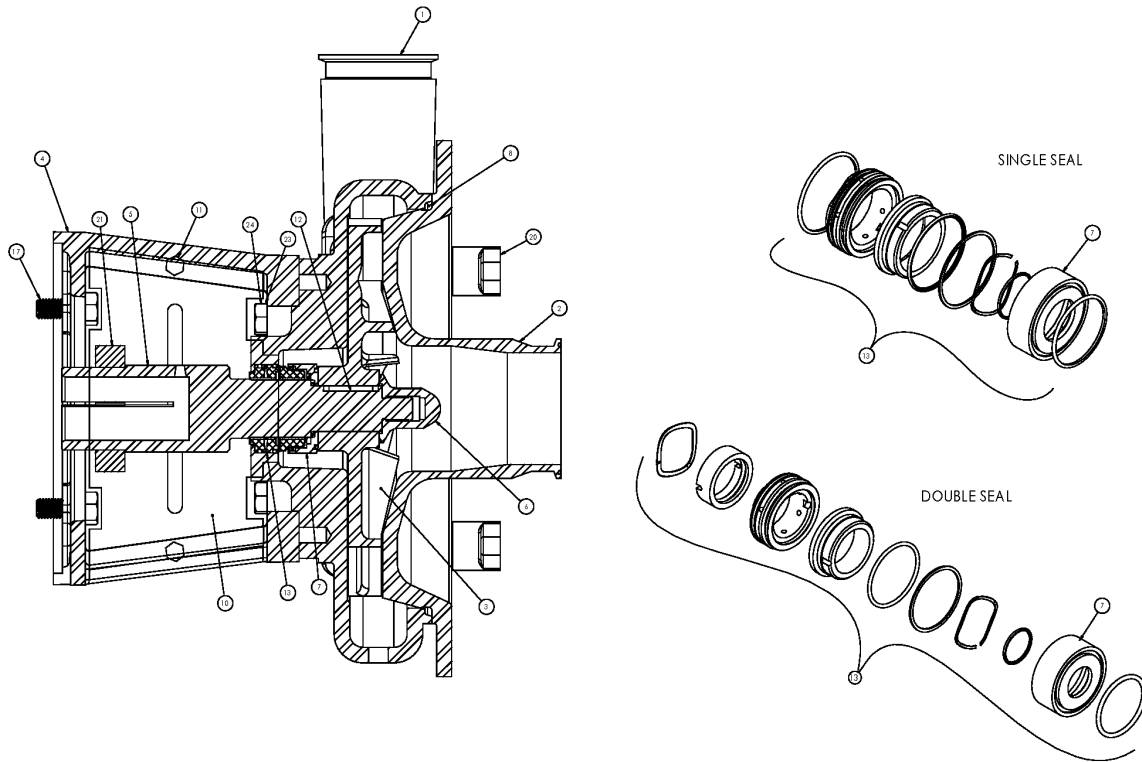
DOUBLE SEAL



Exploded View - Seal Only

Optional Items Shown in ITALICS

Ref #	Component Item No.	Description	Qty Per
7	SX11000038-ND	SEAL,758,FRNT DRVR,NEW DESIGN LF	1
13	GS02600653-ND	KIT,758,SGL SEAL,N/C/V,NEW DESIGN	1
	<i>GS02600641-ND</i>	<i>KIT,758,SGL SEAL,C/C/V,NEW DESIGN</i>	<i>1</i>
	<i>GS02600812-ND</i>	<i>KIT,758,DBL SEAL,N/C/N/V,NEW DESIGN</i>	<i>1</i>
	<i>GS02600642-ND</i>	<i>KIT,758,DBL SEAL,C/C/N/V,NEW DESIGN</i>	<i>1</i>

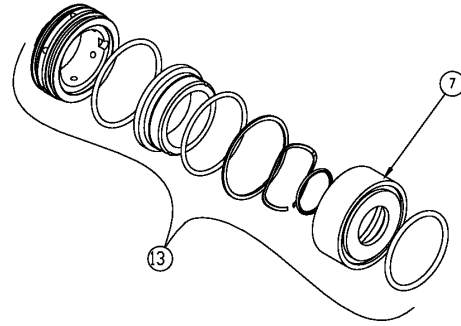


Exploded View

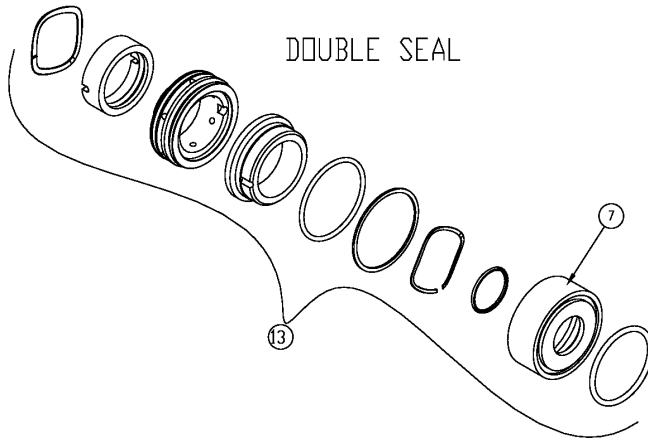
Optional Items Shown in ITALICS

Ref #	Component Item No.	Description	Qty Per
1	SV58610063	CASING,180-320TSC,2-1/2 CLMP LF V550	1
2	SC58620074	COVER,V550,3 CLAMP L SERIES	1
	SC58620286	COVER,V550,REDUCING,4 CLAMP L SERIES	1
3	SI58630000	IMPELLER,V550/250/30,250MAX, EXTD HUB LF	1
4	SX10600138	ADAPTER,280TC/TSC FRAME LF 758 SEAL	1
5	SX20000028	STUBSHAFT,280TSC LF 758 SEAL	1
6	SI54000005	NUT,735/736,IMP,EXT HUB LC	1
7	SX11000038-ND	SEAL,758,FRNT DRVR,NEW DESIGN LF	1
8	GX80000339	GASKET,V450/550,CVR,BUNA LC	1
	GX80000352	GASKET,V450/550,CVR,EPDM LC	1
	GX80000340	GASKET,V450/550,CVR,VIT LC	1
10	SX10628138	GUARD,SHAFT,757 ADPTR LFR LFV LFX SBI SBH SBV	2
11	GX48104020	CAPSCRW,HX,1/4-28X3/8,18-8SS HX HD	4
12	SX15000023	KEY, LC, 320TSC	1
13	GS02600653-ND	KIT,758,SGL SEAL,N/C/V,NEW DESIGN	1
	GS02600641-ND	KIT,758,SGL SEAL,C/C/V,NEW DESIGN	1
	GS02600812-ND	KIT,758,DBL SEAL,N/C/NV,NEW DESIGN	1
	GS02600642-ND	KIT,758,DBL SEAL,C/C/NV,NEW DESIGN	1
20	SX03000020	NUT,WING LC SERIES	5
21	SX18000035	COLLAR,250TC/280TSC,SHAFT LC	1
23	GX10610405	WASHER,LCK,1/2,18-8SS L SERIES	4
24	GX10610400	CAPSCRW,HX,M12-1.75X30MM,18-8S HX HD	4

SINGLE SEAL



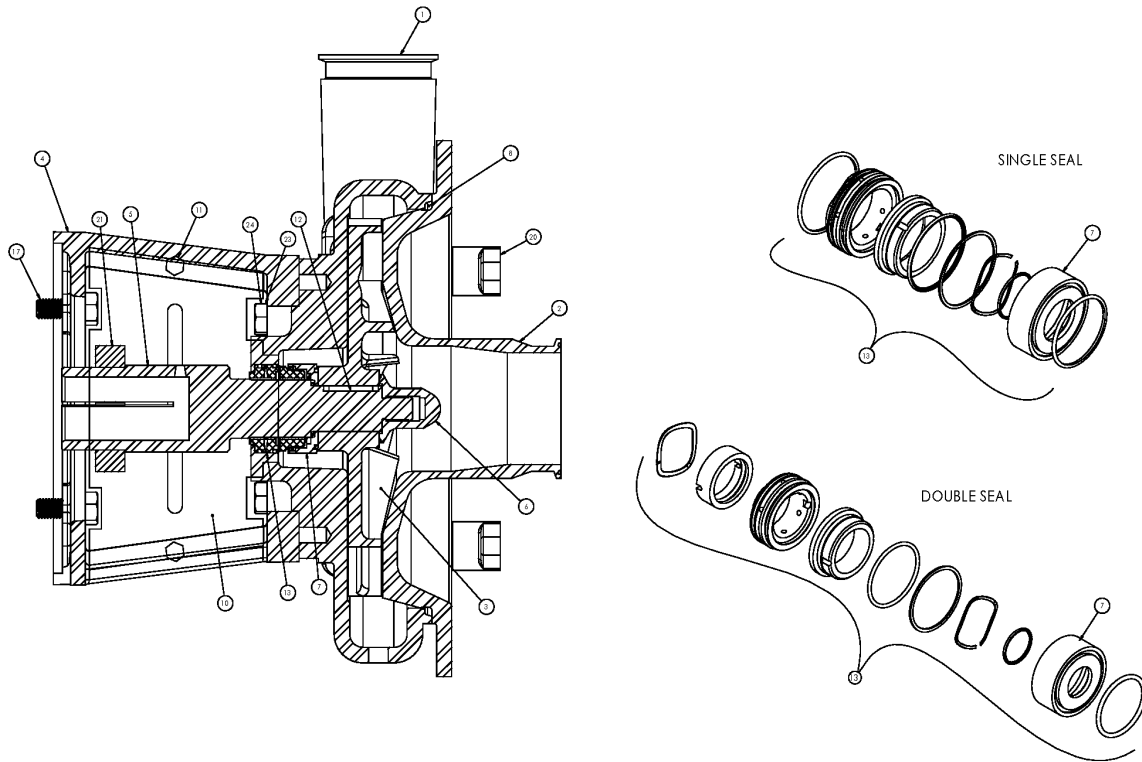
DOUBLE SEAL



Exploded View - Seal Only

Optional Items Shown in ITALICS

Ref #	Component Item No.	Description	Qty Per
7	SX11000038-ND	SEAL,758,FRNT DRVR,NEW DESIGN LF	1
13	GS02600653-ND	KIT,758,SGL SEAL,N/C/V,NEW DESIGN	1
	<i>GS02600641-ND</i>	<i>KIT,758,SGL SEAL,C/C/V,NEW DESIGN</i>	<i>1</i>
	<i>GS02600812-ND</i>	<i>KIT,758,DBL SEAL,N/C/N/V,NEW DESIGN</i>	<i>1</i>
	<i>GS02600642-ND</i>	<i>KIT,758,DBL SEAL,C/C/N/V,NEW DESIGN</i>	<i>1</i>

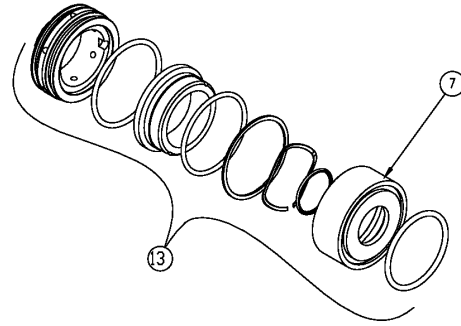


Exploded View

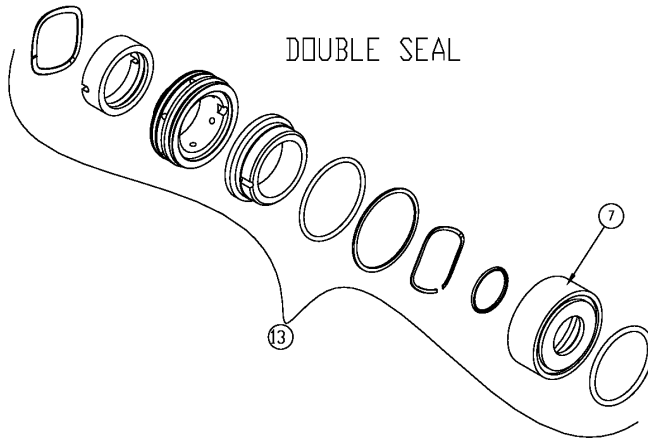
Optional Items Shown in ITALICS

Ref #	Component Item No.	Description	Qty Per
1	SV58610063	CASING,180-320TSC,2-1/2 CLMP LF V550	1
2	SC58620074	COVER,V550,3 CLAMP L SERIES	1
	<i>SC58620286</i>	<i>COVER,V550,REDUCING,4 CLAMP L SERIES</i>	<i>1</i>
3	SI58630000	IMPELLER,V550/250/30,250MAX, EXTD HUB LF	1
4	SX10600100	ADAPTER,320TC/TSC FRAME LC/LD/LF	1
5	SX20000011	STUBSHAFT,320TSC/360TSC LF 758 SEAL	1
6	SI54000005	NUT,735/736,IMP,EXT HUB LC	1
7	SX11000038-ND	SEAL,758,FRNT DRVR,NEW DESIGN LF	1
8	GX80000339	GASKET,V450/550,CVR,BUNA LC	1
	<i>GX80000352</i>	<i>GASKET,V450/550,CVR,EPDM LC</i>	<i>1</i>
	<i>GX80000340</i>	<i>GASKET,V450/550,CVR,VIT LC</i>	<i>1</i>
10	SX10628089	GUARD,SHAFT,DBL FLNGE ADPTRS LC	2
11	GX48104020	CAPSCRW,HX,1/4-28X3/8,18-8SS HX HD	4
12	SX15000023	KEY, LC, 320TSC	1
13	GS02600653-ND	KIT,758,SGL SEAL,N/C/V,NEW DESIGN	1
	<i>GS02600641-ND</i>	<i>KIT,758,SGL SEAL,C/C/V,NEW DESIGN</i>	<i>1</i>
	<i>GS02600812-ND</i>	<i>KIT,758,DBL SEAL,N/C/N/V,NEW DESIGN</i>	<i>1</i>
	<i>GS02600642-ND</i>	<i>KIT,758,DBL SEAL,C/C/N/V,NEW DESIGN</i>	<i>1</i>
17	GX5076700	CAPSCRW,HX,5/8-11X1-1/2,18-8SS HX HD	4
20	SX03000020	NUT,WING LC SERIES	5
21	SX18000027	COLLAR,280TC/320TSC,SHAFT LC	1
23	GX10610405	WASHER,LCK,1/2,18-8SS L SERIES	4
24	GX10610400	CAPSCRW,HX,M12-1.75X30MM,18-8S HX HD	4

SINGLE SEAL



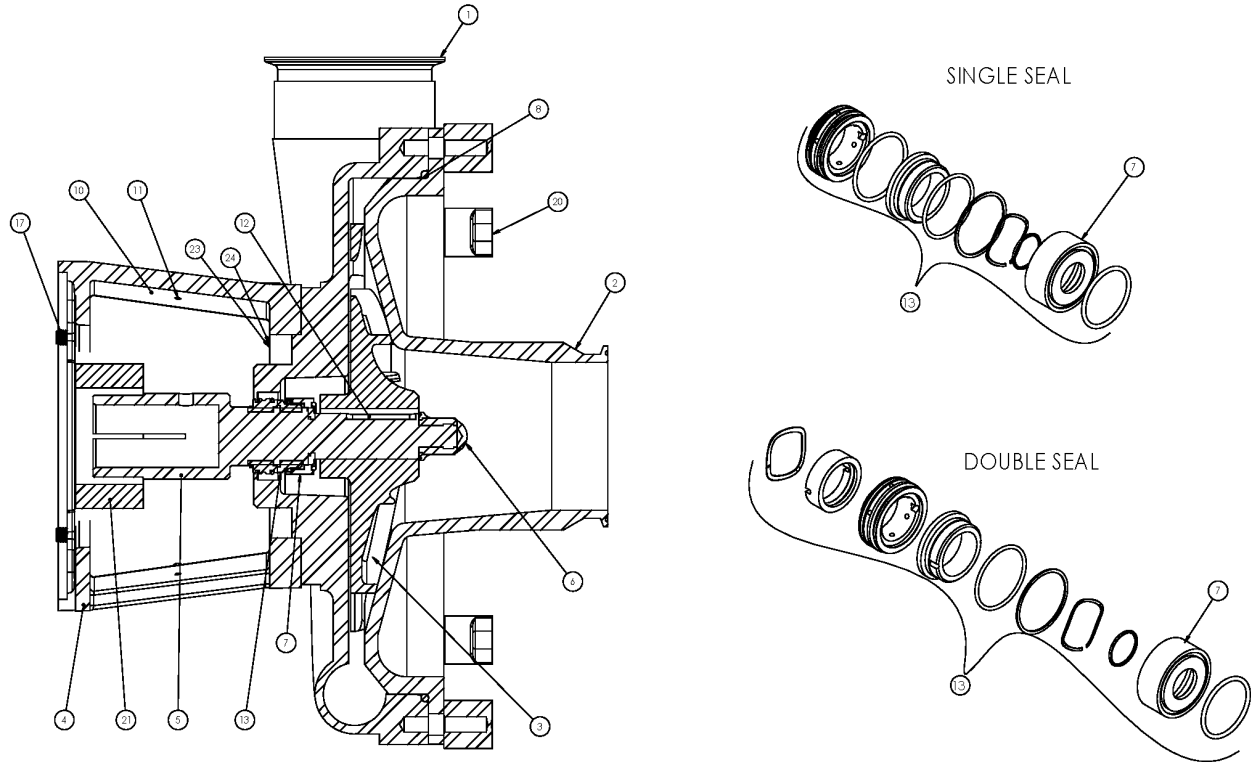
DOUBLE SEAL



Exploded View - Seal Only

Optional Items Shown in ITALICS

Ref #	Component Item No.	Description	Qty Per
7	SX11000038-ND	SEAL,758,FRNT DRVR,NEW DESIGN LF	1
13	GS02600653-ND	KIT,758,SGL SEAL,N/C/V,NEW DESIGN	1
	<i>GS02600641-ND</i>	<i>KIT,758,SGL SEAL,C/C/V,NEW DESIGN</i>	<i>1</i>
	<i>GS02600812-ND</i>	<i>KIT,758,DBL SEAL,N/C/N/V,NEW DESIGN</i>	<i>1</i>
	<i>GS02600642-ND</i>	<i>KIT,758,DBL SEAL,C/C/N/V,NEW DESIGN</i>	<i>1</i>

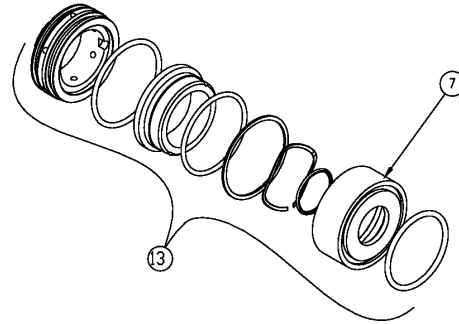


Exploded View

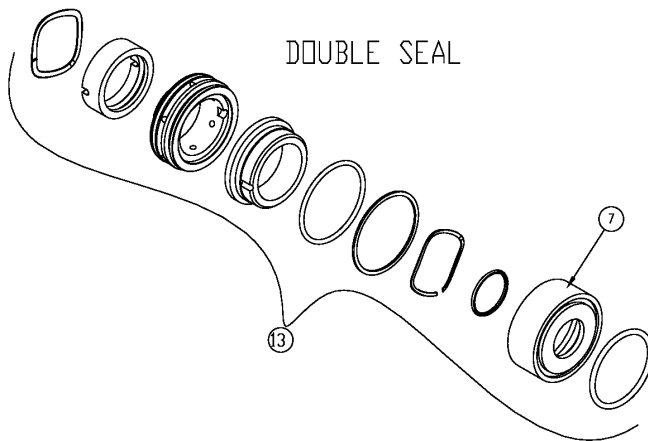
Optional Items Shown in ITALICS

Ref #	Component Item No.	Description	Qty Per
1	SV73610020	CASING,X51/161,4 CLAMP LF	1
2	SC71620106	COVER,X051,4 CLAMP L SERIES	1
3	SI71630062	IMPELLER,X051,280/30,280MAX, EXT'D HUB LC/LD/LF	1
4	SX10600137	ADAPTER,180-250TC FRAME LF 758 SEAL	1
5	SX20000019	STUBSHAFT,210TC LFX	1
6	SI54000001	NUT,736,IMP LCX	1
7	SX11000038-ND	SEAL,758,FRNT DRVR,NEW DESIGN LF	1
8	GX80000021	GASKET,X050/150/160,CVR,N-70 LC BUNA	1
	<i>GX80000152</i>	<i>GASKET,X050/150/160,CVR,EPDM LC</i>	<i>1</i>
	<i>GX80000026</i>	<i>GASKET,X050/150/160,CVR,VIT LC</i>	<i>1</i>
10	SX10618137	GUARD,SHAFT,758,ADPTR LFR LFV LFX SBH SBI SBV	1
11	GX48104020	CAPSCRW,HX,1/4-28X3/8,18-8SS HX HD	4
12	SX15000020	KEY,250TC-320TC LCX	1
13	GS02600653-ND	KIT,758,SGL SEAL,N/C/V,NEW DESIGN	1
	<i>GS02600641-ND</i>	<i>KIT,758,SGL SEAL,C/C/V,NEW DESIGN</i>	<i>1</i>
	<i>GS02600812-ND</i>	<i>KIT,758,DBL SEAL,N/C/N/V,NEW DESIGN</i>	<i>1</i>
	<i>GS02600642-ND</i>	<i>KIT,758,DBL SEAL,C/C/N/V,NEW DESIGN</i>	<i>1</i>
20	SX03000020	NUT,WING LC SERIES	8
21	SX18000015	COLLAR,210TC,SHAFT LC	1
23	GX10610405	WASHER,LCK,1/2,18-8SS L SERIES	4
24	GX10610400	CAPSCRW,HX,M12-1.75X30MM,18-8S HX HD	4

SINGLE SEAL



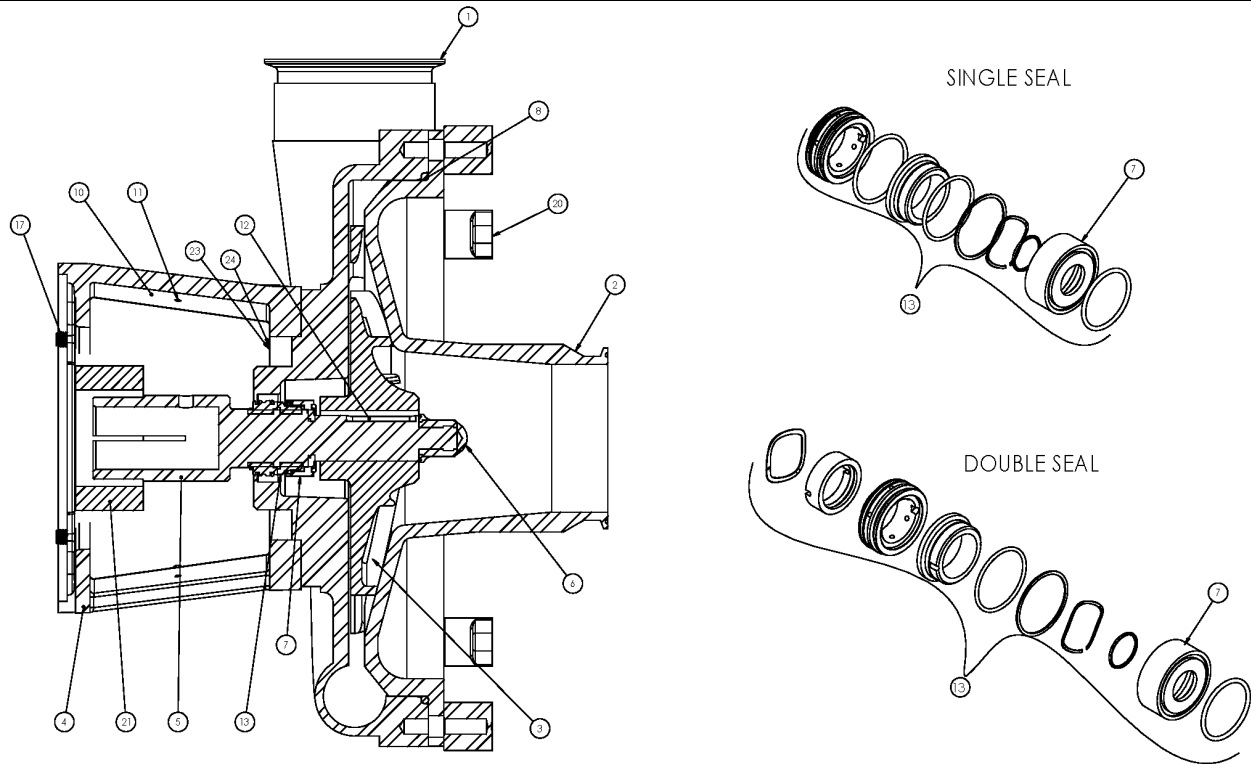
DOUBLE SEAL



Exploded View - Seal Only

Optional Items Shown in ITALICS

Ref #	Component Item No.	Description	Qty Per
7	SX11000038-ND	SEAL,758,FRNT DRVR,NEW DESIGN LF	1
13	GS02600653-ND	KIT,758,SGL SEAL,N/C/V,NEW DESIGN	1
	<i>GS02600641-ND</i>	<i>KIT,758,SGL SEAL,C/C/V,NEW DESIGN</i>	<i>1</i>
	<i>GS02600812-ND</i>	<i>KIT,758,DBL SEAL,N/C/N/V,NEW DESIGN</i>	<i>1</i>
	<i>GS02600642-ND</i>	<i>KIT,758,DBL SEAL,C/C/N/V,NEW DESIGN</i>	<i>1</i>

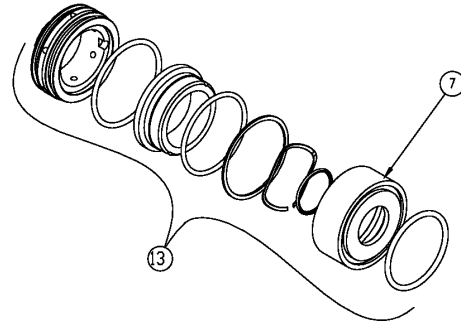


Exploded View

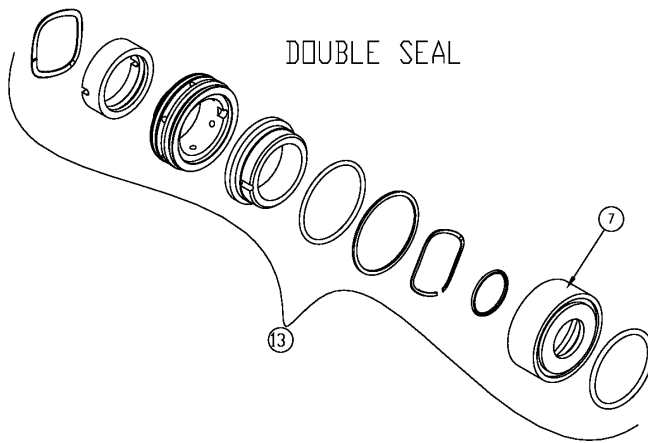
Optional Items Shown in ITALICS

Ref #	Component Item No.	Description	Qty Per
1	SV73610020	CASING,X51/161,4 CLAMP LF	1
2	SC71620106	COVER,X051,4 CLAMP L SERIES	1
3	SI71630062	IMPELLER,X051,280/30,280MAX, EXT'D HUB LC/LD/LF	1
4	SX10600137	ADAPTER,180-250TC FRAME LF 758 SEAL	1
5	SX20000021	STUBSHAFT,250TC LFX	1
6	SI54000001	NUT,736,IMP LCX	1
7	SX11000038-ND	SEAL,758,FRNT DRVR,NEW DESIGN LF	1
8	GX80000021	GASKET,X050/150/160,CVR,N-70 LC BUNA	1
	<i>GX80000152</i>	<i>GASKET,X050/150/160,CVR,EPDM LC</i>	<i>1</i>
	<i>GX80000026</i>	<i>GASKET,X050/150/160,CVR,VIT LC</i>	<i>1</i>
10	SX10618137	GUARD,SHAFT,758,ADPTR LFR LFV LFX SBH SBI SBV	1
11	GX48104020	CAPSCRW,HX,1/4-28X3/8,18-8SS HX HD	4
12	SX15000020	KEY,250TC-320TC LCX	1
13	GS02600653-ND	KIT,758,SGL SEAL,N/C/V,NEW DESIGN	1
	<i>GS02600641-ND</i>	<i>KIT,758,SGL SEAL,C/C/V,NEW DESIGN</i>	<i>1</i>
	<i>GS02600812-ND</i>	<i>KIT,758,DBL SEAL,N/C/N/V,NEW DESIGN</i>	<i>1</i>
	<i>GS02600642-ND</i>	<i>KIT,758,DBL SEAL,C/C/N/V,NEW DESIGN</i>	<i>1</i>
20	SX03000020	NUT,WING LC SERIES	8
21	SX18000016	COLLAR,250TC/280TSC,SHAFT LC	1
23	GX10610405	WASHER,LCK,1/2,18-8SS L SERIES	4
24	GX10610400	CAPSCRW,HX,M12-1.75X30MM,18-8S HX HD	4

SINGLE SEAL



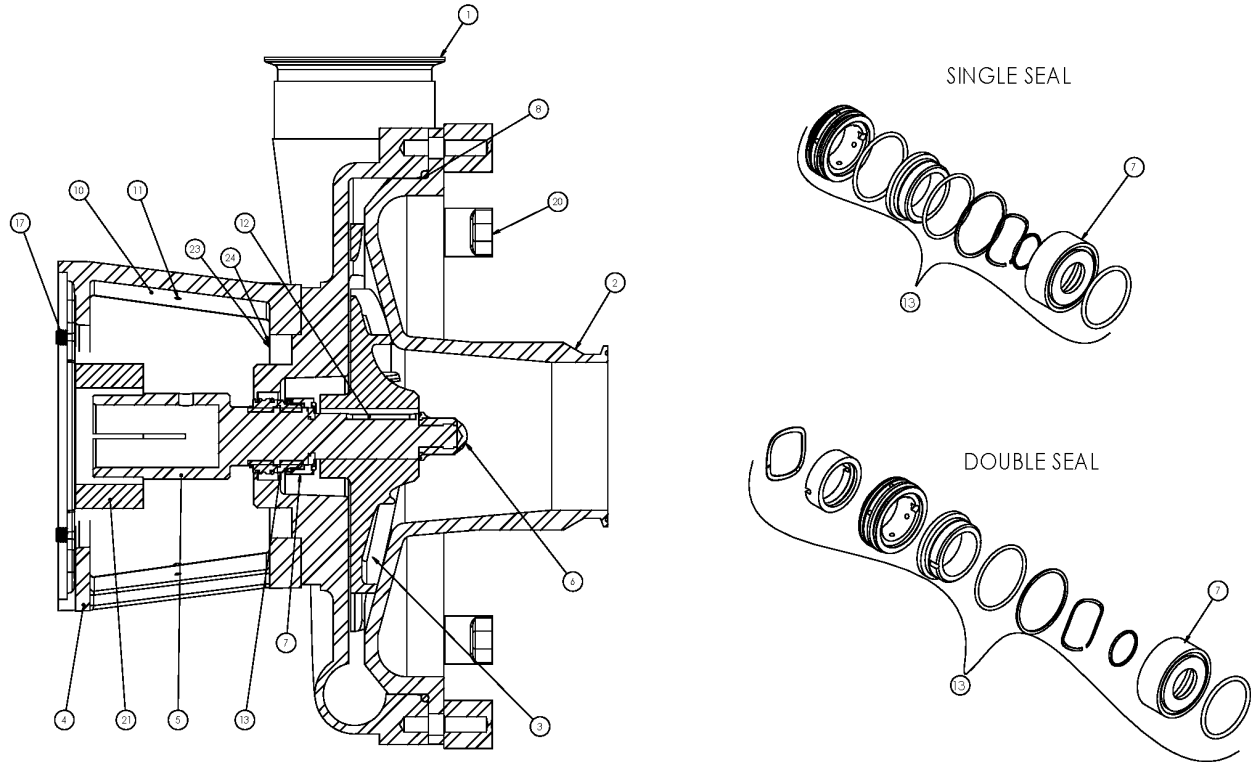
DOUBLE SEAL



Exploded View - Seal Only

Optional Items Shown in ITALICS

Ref #	Component Item No.	Description	Qty Per
7	SX11000038-ND	SEAL,758,FRNT DRVR,NEW DESIGN LF	1
13	GS02600653-ND	KIT,758,SGL SEAL,N/C/V,NEW DESIGN	1
	<i>GS02600641-ND</i>	<i>KIT,758,SGL SEAL,C/C/V,NEW DESIGN</i>	<i>1</i>
	<i>GS02600812-ND</i>	<i>KIT,758,DBL SEAL,N/C/N/V,NEW DESIGN</i>	<i>1</i>
	<i>GS02600642-ND</i>	<i>KIT,758,DBL SEAL,C/C/N/V,NEW DESIGN</i>	<i>1</i>

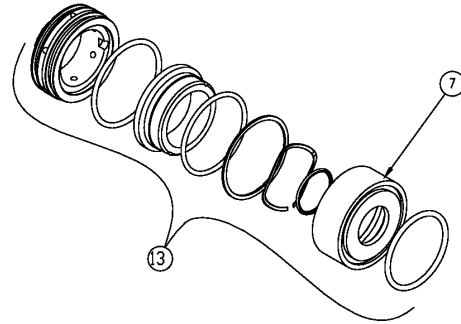


Exploded View

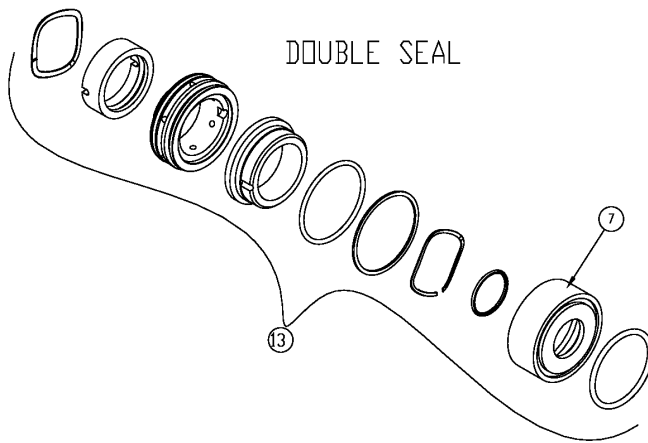
Optional Items Shown in ITALICS

Ref #	Component Item No.	Description	Qty Per
1	SV73610020	CASING,X51/161,4 CLAMP LF	1
2	SC71620106	COVER,X051,4 CLAMP L SERIES	1
3	SI71630062	IMPELLER,X051,280/30,280MAX, EXT'D HUB LC/LD/LF	1
4	SX10600138	ADAPTER,280TC/TSC FRAME LF 758 SEAL	1
5	SX20000022	STUBSHAFT,280TC LFX	1
6	SI54000001	NUT,736,IMP LCX	1
7	SX11000038-ND	SEAL,758,FRNT DRVR,NEW DESIGN LF	1
8	GX80000021	GASKET,X050/150/160,CVR,N-70 LC BUNA	1
	<i>GX80000152</i>	<i>GASKET,X050/150/160,CVR,EPDM LC</i>	<i>1</i>
	<i>GX80000026</i>	<i>GASKET,X050/150/160,CVR,VIT LC</i>	<i>1</i>
10	SX10628138	GUARD,SHAFT,757 ADPTR LFR LFV LFX SBI SBH SBV	2
11	GX48104020	CAPSCRW,HX,1/4-28X3/8,18-8SS HX HD	4
12	SX15000020	KEY,250TC-320TC LCX	1
13	GS02600653-ND	KIT,758,SGL SEAL,N/C/V,NEW DESIGN	1
	<i>GS02600641-ND</i>	<i>KIT,758,SGL SEAL,C/C/V,NEW DESIGN</i>	<i>1</i>
	<i>GS02600812-ND</i>	<i>KIT,758,DBL SEAL,N/C/N/V,NEW DESIGN</i>	<i>1</i>
	<i>GS02600642-ND</i>	<i>KIT,758,DBL SEAL,C/C/N/V,NEW DESIGN</i>	<i>1</i>
20	SX03000020	NUT,WING LC SERIES	8
21	SX18000027	COLLAR,280TC/320TSC,SHAFT LC	1
23	GX10610405	WASHER,LCK,1/2,18-8SS L SERIES	4
24	GX10610400	CAPSCRW,HX,M12-1.75X30MM,18-8S HX HD	4

SINGLE SEAL



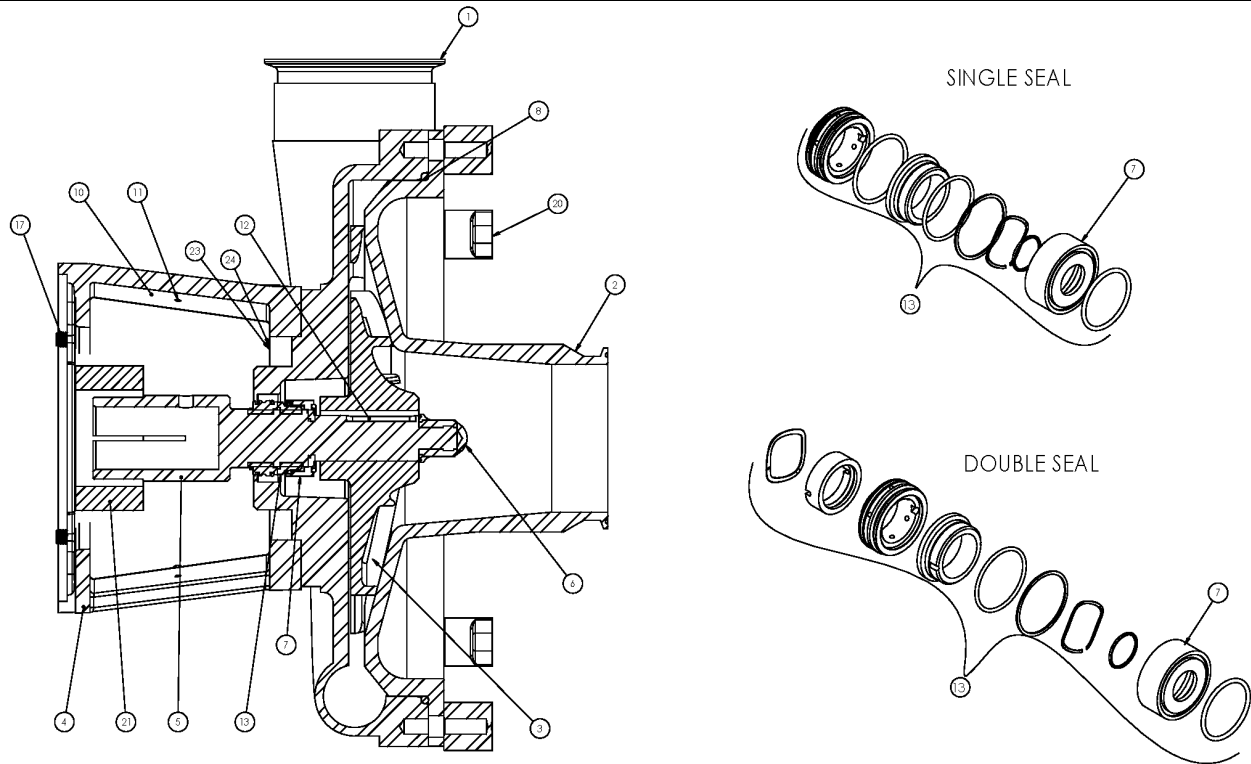
DOUBLE SEAL



Exploded View - Seal Only

Optional Items Shown in ITALICS

Ref #	Component Item No.	Description	Qty Per
7	SX11000038-ND	SEAL,758,FRNT DRVR,NEW DESIGN LF	1
13	GS02600653-ND	KIT,758,SGL SEAL,N/C/V,NEW DESIGN	1
	<i>GS02600641-ND</i>	<i>KIT,758,SGL SEAL,C/C/V,NEW DESIGN</i>	<i>1</i>
	<i>GS02600812-ND</i>	<i>KIT,758,DBL SEAL,N/C/N/V,NEW DESIGN</i>	<i>1</i>
	<i>GS02600642-ND</i>	<i>KIT,758,DBL SEAL,C/C/N/V,NEW DESIGN</i>	<i>1</i>

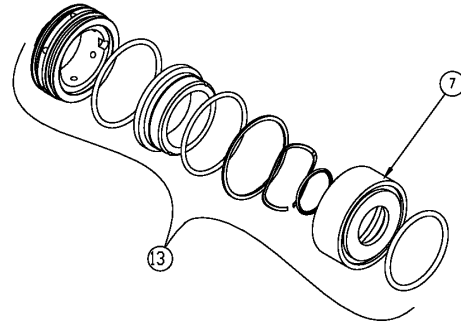


Exploded View

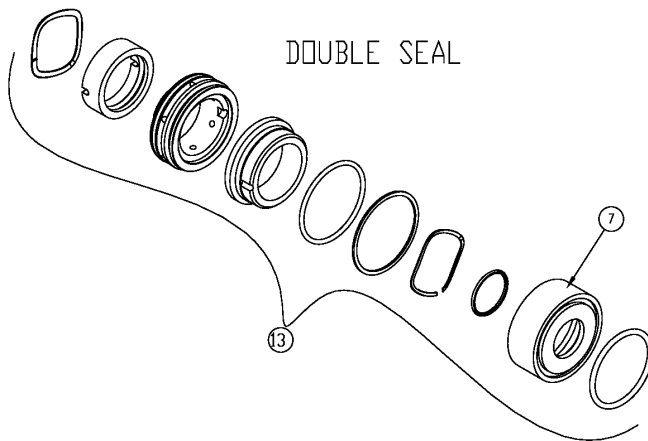
Optional Items Shown in ITALICS

Ref #	Component Item No.	Description	Qty Per
1	SV73610020	CASING,X51/161,4 CLAMP LF	1
2	SC71620106	COVER,X051,4 CLAMP L SERIES	1
3	SI71630062	IMPELLER,X051,280/30,280MAX, EXT'D HUB LC/LD/LF	1
4	SX10600100	ADAPTER,320TC/TSC FRAME LC/LD/LF	1
5	SX20000023	STUBSHAFT,320TC LFX	1
6	SI54000001	NUT,736,IMP LCX	1
7	SX11000038-ND	SEAL,758,FRNT DRVR,NEW DESIGN LF	1
8	GX80000021	GASKET,X050/150/160,CVR,N-70 LC BUNA	1
	<i>GX80000152</i>	<i>GASKET,X050/150/160,CVR,EPDM LC</i>	<i>1</i>
	<i>GX80000026</i>	<i>GASKET,X050/150/160,CVR,VIT LC</i>	<i>1</i>
10	SX10628089	GUARD,SHAFT,DBL FLNGE ADPTRS LC	2
11	GX48104020	CAPSCRW,HX,1/4-28X3/8,18-8SS HX HD	4
12	SX15000020	KEY,250TC-320TC LCX	1
13	GS02600653-ND	KIT,758,SGL SEAL,N/C/V,NEW DESIGN	1
	<i>GS02600641-ND</i>	<i>KIT,758,SGL SEAL,C/C/V,NEW DESIGN</i>	<i>1</i>
	<i>GS02600812-ND</i>	<i>KIT,758,DBL SEAL,N/C/N/V,NEW DESIGN</i>	<i>1</i>
	<i>GS02600642-ND</i>	<i>KIT,758,DBL SEAL,C/C/N/V,NEW DESIGN</i>	<i>1</i>
20	SX03000020	NUT,WING LC SERIES	8
21	SX18000028	COLLAR,320TC,SHAFT LCX	1
23	GX10610405	WASHER,LCK,1/2,18-8SS L SERIES	4
24	GX10610400	CAPSCRW,HX,M12-1.75X30MM,18-8S HX HD	4

SINGLE SEAL



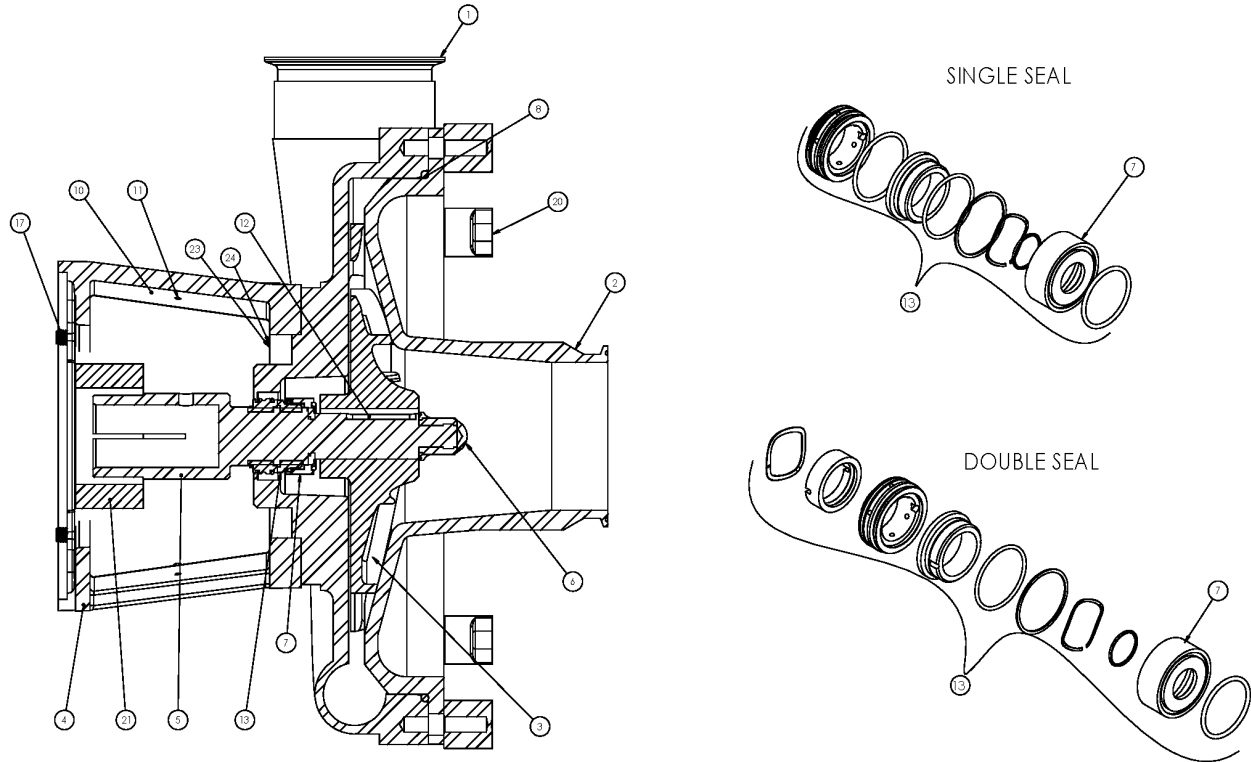
DOUBLE SEAL



Exploded View - Seal Only

Optional Items Shown in ITALICS

Ref #	Component Item No.	Description	Qty Per
7	SX11000038-ND	SEAL,758,FRNT DRVR,NEW DESIGN LF	1
13	GS02600653-ND	KIT,758,SGL SEAL,N/C/V,NEW DESIGN	1
	<i>GS02600641-ND</i>	<i>KIT,758,SGL SEAL,C/C/V,NEW DESIGN</i>	<i>1</i>
	<i>GS02600812-ND</i>	<i>KIT,758,DBL SEAL,N/C/N/V,NEW DESIGN</i>	<i>1</i>
	<i>GS02600642-ND</i>	<i>KIT,758,DBL SEAL,C/C/N/V,NEW DESIGN</i>	<i>1</i>

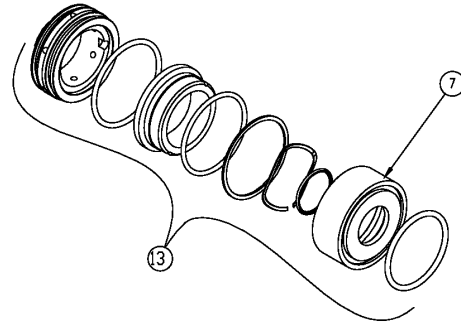


Exploded View

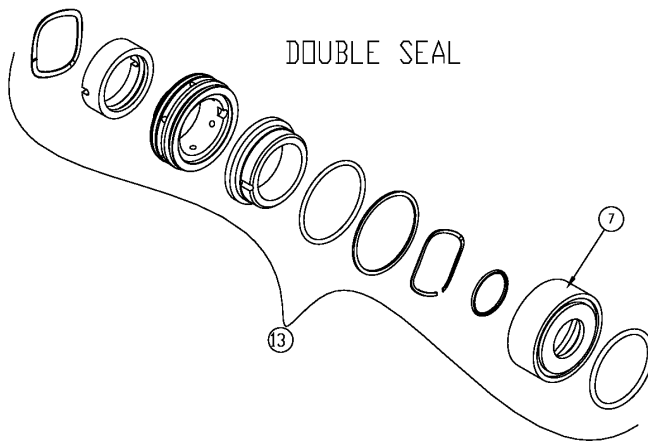
Optional Items Shown in ITALICS

Ref #	Component Item No.	Description	Qty Per
1	SV73610020	CASING,X51/161,4 CLAMP LF	1
2	SC73620078	COVER,X151,X161,4 CLAMP L SERIES	1
3	SI73630132	IMPELLER,X161,320/30,320MAX EXT'D HUB LC/LD/LF	1
4	SX10600137	ADAPTER,180-250TC FRAME LF 758 SEAL	1
5	SX20000021	STUBSHAFT,250TC LFX	1
6	SI54000001	NUT,736,IMP LCX	1
7	SX11000038-ND	SEAL,758,FRNT DRVR,NEW DESIGN LF	1
8	GX80000021	GASKET,X050/150/160,CVR,N-70 LC BUNA	1
	<i>GX80000152</i>	<i>GASKET,X050/150/160,CVR,EPDM LC</i>	<i>1</i>
	<i>GX80000026</i>	<i>GASKET,X050/150/160,CVR,VIT LC</i>	<i>1</i>
10	SX10618137	GUARD,SHAFT,758,ADPTR LFR LFV LFX SBH SBI SBV	2
11	GX48104020	CAPSCRW,HX,1/4-28X3/8,18-8SS HX HD	4
12	SX15000020	KEY,250TC-320TC LCX	1
13	GS02600653-ND	KIT,758,SGL SEAL,N/C/V,NEW DESIGN	1
	<i>GS02600641-ND</i>	<i>KIT,758,SGL SEAL,C/C/V,NEW DESIGN</i>	<i>1</i>
	<i>GS02600812-ND</i>	<i>KIT,758,DBL SEAL,N/C/N/V,NEW DESIGN</i>	<i>1</i>
	<i>GS02600642-ND</i>	<i>KIT,758,DBL SEAL,C/C/N/V,NEW DESIGN</i>	<i>1</i>
17	SC1710H-SS	CAPSCRW,HX,1/2-13X1,18-8SS HX HD	4
20	SX03000020	NUT,WING LC SERIES	8
21	SX18000016	COLLAR,250TC/280TSC,SHAFT LC	1
23	GX10610405	WASHER,LCK,1/2,18-8SS L SERIES	4
24	GX10610400	CAPSCRW,HX,M12-1.75X30MM,18-8S HX HD	4

SINGLE SEAL



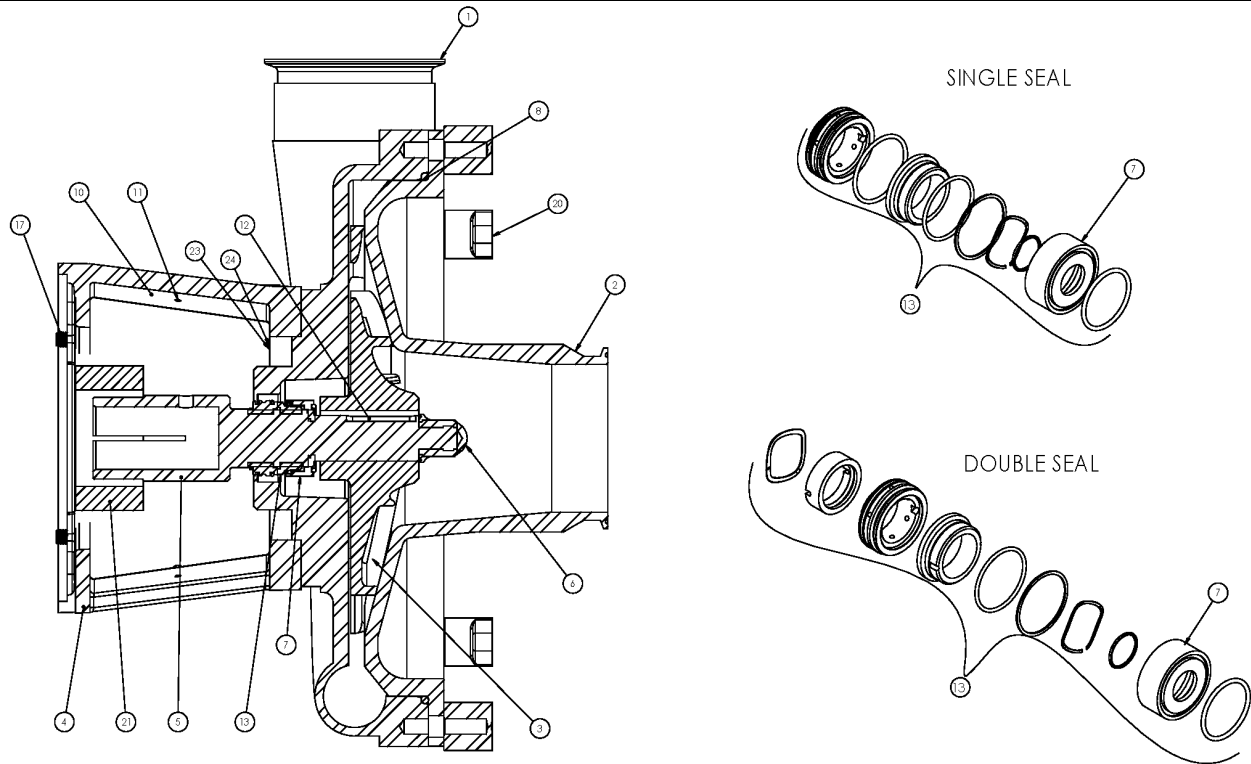
DOUBLE SEAL



Exploded View - Seal Only

Optional Items Shown in ITALICS

Ref #	Component Item No.	Description	Qty Per
7	SX11000038-ND	SEAL,758,FRNT DRVR,NEW DESIGN LF	1
13	GS02600653-ND	KIT,758,SGL SEAL,N/C/V,NEW DESIGN	1
	<i>GS02600641-ND</i>	<i>KIT,758,SGL SEAL,C/C/V,NEW DESIGN</i>	<i>1</i>
	<i>GS02600812-ND</i>	<i>KIT,758,DBL SEAL,N/C/N/V,NEW DESIGN</i>	<i>1</i>
	<i>GS02600642-ND</i>	<i>KIT,758,DBL SEAL,C/C/N/V,NEW DESIGN</i>	<i>1</i>

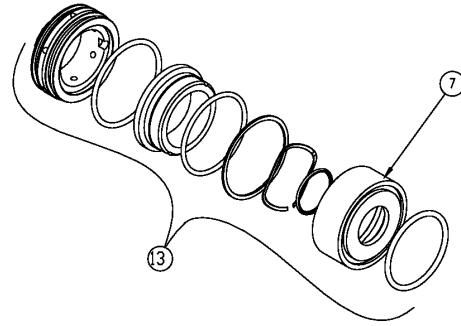


Exploded View

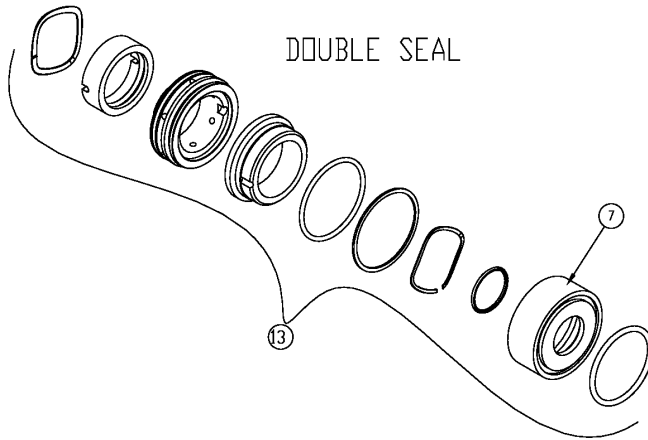
Optional Items Shown in ITALICS

Ref #	Component Item No.	Description	Qty Per
1	SV73610020	CASING,X51/161,4 CLAMP LF	1
2	SC73620078	COVER,X151,X161,4 CLAMP L SERIES	1
3	SI73630132	IMPELLER,X161,320/30,320MAX EXT'D HUB LC/LD/LF	1
4	SX10600138	ADAPTER,280TC/TSC FRAME LF 758 SEAL	1
5	SX20000022	STUBSHAFT,280TC LFX	1
6	SI54000001	NUT,736,IMP LCX	1
7	SX11000038-ND	SEAL,758,FRNT DRVR,NEW DESIGN LF	1
8	GX80000021	GASKET,X050/150/160,CVR,N-70 LC BUNA	1
	<i>GX80000152</i>	<i>GASKET,X050/150/160,CVR,EPDM LC</i>	<i>1</i>
	<i>GX80000026</i>	<i>GASKET,X050/150/160,CVR,VIT LC</i>	<i>1</i>
10	SX10628138	GUARD,SHAFT,757 ADPTR LFR LFV LFX SBI SBH SBV	2
11	GX48104020	CAPSCRW,HX,1/4-28X3/8,18-8SS HX HD	4
12	SX15000020	KEY,250TC-320TC LCX	1
13	GS02600653-ND	KIT,758,SGL SEAL,N/C/V,NEW DESIGN	1
	<i>GS02600641-ND</i>	<i>KIT,758,SGL SEAL,C/C/V,NEW DESIGN</i>	<i>1</i>
	<i>GS02600812-ND</i>	<i>KIT,758,DBL SEAL,N/C/N/V,NEW DESIGN</i>	<i>1</i>
	<i>GS02600642-ND</i>	<i>KIT,758,DBL SEAL,C/C/N/V,NEW DESIGN</i>	<i>1</i>
17	GX5079700	CAPSCRW,HX,1/2-13X1-1/4,18-8SS HX HD	4
20	SX03000020	NUT,WING LC SERIES	8
21	SX18000027	COLLAR,280TC/320TSC,SHAFT LC	1
23	GX10610405	WASHER,LCK,1/2,18-8SS L SERIES	4
24	GX10610400	CAPSCRW,HX,M12-1.75X30MM,18-8S HX HD	4

SINGLE SEAL



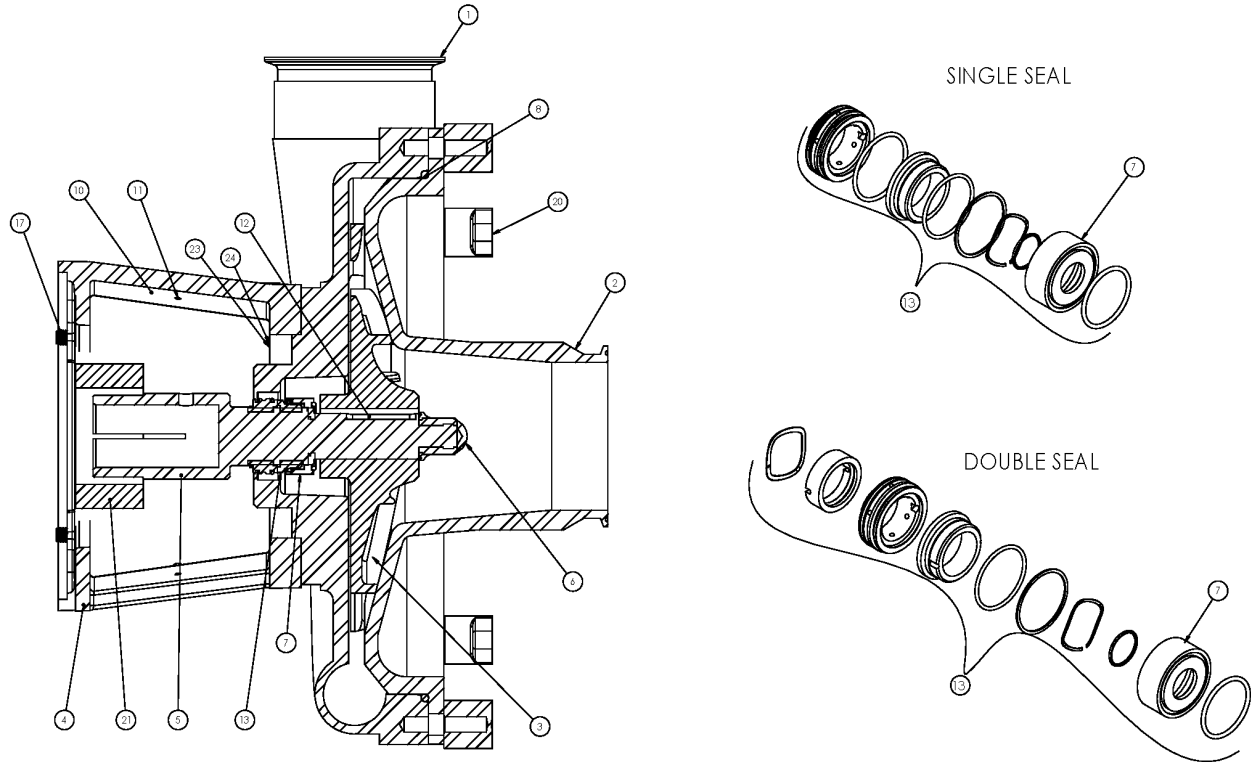
DOUBLE SEAL



Exploded View - Seal Only

Optional Items Shown in ITALICS

Ref #	Component Item No.	Description	Qty Per
7	SX11000038-ND	SEAL,758,FRNT DRVR,NEW DESIGN LF	1
13	GS02600653-ND	KIT,758,SGL SEAL,N/C/V,NEW DESIGN	1
	<i>GS02600641-ND</i>	<i>KIT,758,SGL SEAL,C/C/V,NEW DESIGN</i>	<i>1</i>
	<i>GS02600812-ND</i>	<i>KIT,758,DBL SEAL,N/C/N/V,NEW DESIGN</i>	<i>1</i>
	<i>GS02600642-ND</i>	<i>KIT,758,DBL SEAL,C/C/N/V,NEW DESIGN</i>	<i>1</i>

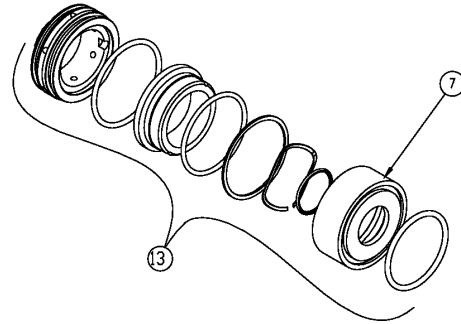


Exploded View

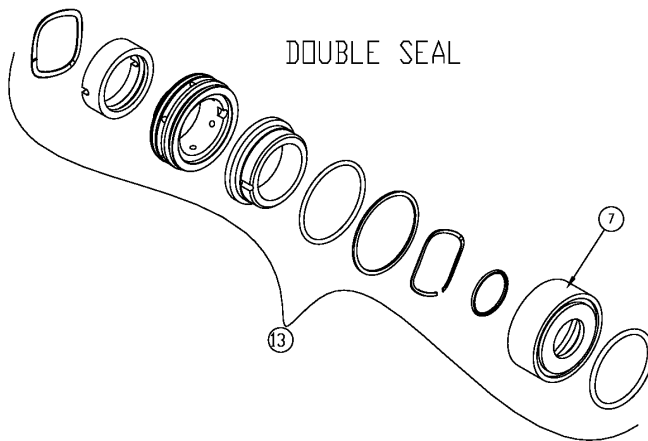
Optional Items Shown in ITALICS

Ref #	Component Item No.	Description	Qty Per
1	SV73610020	CASING,X51/161,4 CLAMP LF	1
2	SC73620078	COVER,X151,X161,4 CLAMP L SERIES	1
3	SI73630132	IMPELLER,X161,320/30,320MAX EXT'D HUB LC/LD/LF	1
4	SX10600100	ADAPTER,320TC/TSC FRAME LC/LD/LF	1
5	SX20000023	STUBSHAFT,320TC LFX	1
6	SI54000001	NUT,736,IMP LCX	1
7	SX11000038-ND	SEAL,758,FRNT DRVR,NEW DESIGN LF	1
8	GX80000021	GASKET,X050/150/160,CVR,N-70 LC BUNA	1
	<i>GX80000152</i>	<i>GASKET,X050/150/160,CVR,EPDM LC</i>	<i>1</i>
	<i>GX80000026</i>	<i>GASKET,X050/150/160,CVR,VIT LC</i>	<i>1</i>
10	SX10628089	GUARD,SHAFT,DBL FLNGE ADPTRS LC	2
11	GX48104020	CAPSCRW,HX,1/4-28X3/8,18-8SS HX HD	4
12	SX15000020	KEY,250TC-320TC LCX	1
13	GS02600653-ND	KIT,758,SGL SEAL,N/C/V,NEW DESIGN	1
	<i>GS02600641-ND</i>	<i>KIT,758,SGL SEAL,C/C/V,NEW DESIGN</i>	<i>1</i>
	<i>GS02600812-ND</i>	<i>KIT,758,DBL SEAL,N/C/N/V,NEW DESIGN</i>	<i>1</i>
	<i>GS02600642-ND</i>	<i>KIT,758,DBL SEAL,C/C/N/V,NEW DESIGN</i>	<i>1</i>
17	GX5076700	CAPSCRW,HX,5/8-11X1-1/2,18-8SS HX HD	4
20	SX03000020	NUT,WING LC SERIES	8
21	SX18000028	COLLAR,320TC,SHAFT LCX	1
23	GX10610405	WASHER,LCK,1/2,18-8SS L SERIES	4
24	GX10610400	CAPSCRW,HX,M12-1.75X30MM,18-8S HX HD	4

SINGLE SEAL



DOUBLE SEAL



Exploded View - Seal Only

Optional Items Shown in ITALICS

Ref #	Component Item No.	Description	Qty Per
7	SX11000038-ND	SEAL,758,FRNT DRVR,NEW DESIGN LF	1
13	GS02600653-ND	KIT,758,SGL SEAL,N/C/V,NEW DESIGN	1
	GS02600641-ND	KIT,758,SGL SEAL,C/C/V,NEW DESIGN	1
	GS02600812-ND	KIT,758,DBL SEAL,N/C/N/V,NEW DESIGN	1
	GS02600642-ND	KIT,758,DBL SEAL,C/C/N/V,NEW DESIGN	1

Order Online: www.PumpCatalog.com