

# SALES & ENGINEERING DATA

RATIO SERIES: **1:1**

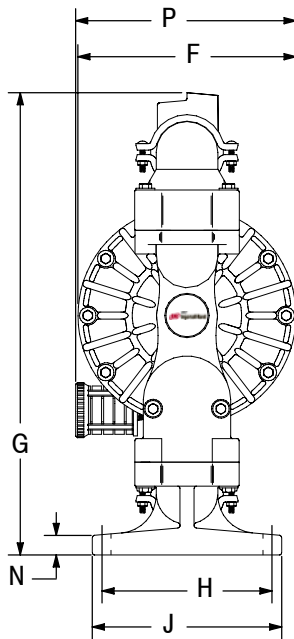
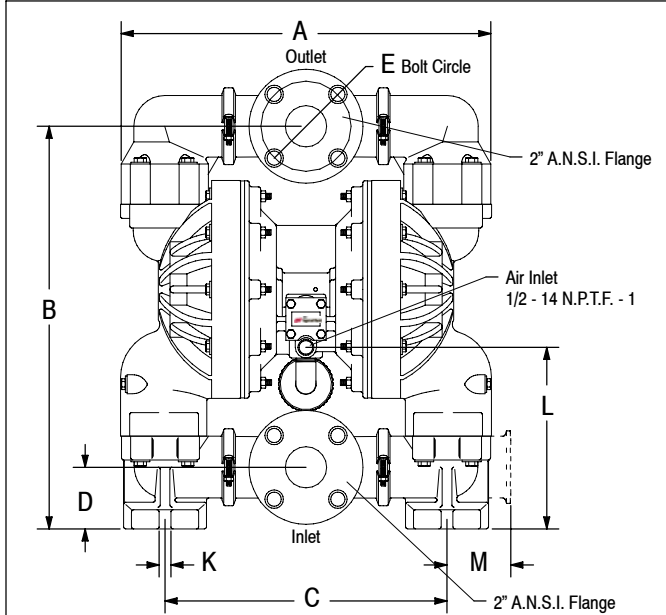
FLUID P.S.I. RANGE: **20 - 120**

6662A3-XXX-C THRU 6662B4-XXX-C

2" NON-METALLIC DIAPHRAGM PUMP

RELEASED: 1-31-97  
 REVISED: 3-8-13  
 (REV. E) S-877

## DIMENSIONAL DATA



### DIMENSIONS

A - 19-3/4" (501 mm)	F - 11-9/16" (293.5 mm)	L - 9-5/8" (244.3 mm)
B - 21-1/2" (545.0 mm)	G - 24-5/8" (625.3 mm)	M - 3-3/8" (85.7 mm)
C - 14-15/16" (379.4 mm)	H - 8-11/16" (220.4 mm)	N - 1-1/16" (26.2 mm)
D - 3-5/16" (83.2 mm)	J - 10-1/16" (254.8 mm)	P - 11-11/16" (296.7 mm)
E - 4.773" (121.2 mm)	K - 5/8" (15.9 mm)	

NOTE: Dimensions are shown in inches and (mm), supplied for reference only and are typically rounded up to the nearest 1/16 inch.

## SPECIFICATIONS

### CONSTRUCTION

<b>Model Series</b> .....	6662A3-XXX-C thru 6662B4-XXX-C
<b>Pump Type</b> .....	Non-Metallic, Air Operated, Double Diaphragm
<b>Ratio</b> .....	1:1
<b>Material Inlet / Outlet</b> .....	2" A.N.S.I. Class 150 Flange
<b>Air Inlet (female)</b> .....	1/2 - 14 N.P.T.F. - 1
<b>Air Exhaust (female)</b> .....	3/4 - 14 N.P.T.F. - 1
<b>Weight</b> .....	6662A3-XXX-C ..... 62 lbs (28.1 kgs) 6662A4-XXX-C ..... 92 lbs (41.7 kgs) 6662B3-XXX-C ..... 85 lbs (38.6 kgs) 6662B4-XXX-C ..... 115 lbs (52.2 kgs)
<b>Air Section Service Kit</b> .....	637118-C
<b>Fluid Section Service Kit</b> .....	637165-XX
<b>Composite PTFE Diaphragm Kit</b> .....	48496806

6662A3 - X X X - C

637165 - X X

Diaphragm Material  
 Ball Material

EXAMPLE: Model 6662A3-344-C  
 Fluid Section Service Kit is 637165-44

### PERFORMANCE

<b>Air Inlet Pressure Range</b> .....	20 - 120 p.s.i. (1.4 - 8.3 bar)
<b>Fluid Pressure Range</b> .....	20 - 120 p.s.i. (1.4 - 8.3 bar)
<b>Maximum Material Inlet Pressure</b> .....	10 p.s.i. (0.69 bar)
<b>Maximum Flow Rate (flooded inlet)</b> .....	145 g.p.m. (548.8 l.p.m.)
<b>Maximum Particle Size</b> .....	1/4" dia. (6.4 mm)
<b>Maximum Temperature Limits (diaphragm / ball / seal material)</b>	
E.P.R. ....	-60° to 280° F (-51° to 138° C)
Hytel .....	-20° to 150° F (-29° to 66° C)
Neoprene .....	0° to 200° F (-18° to 93° C)
Nitrile .....	10° to 180° F (-12° to 82° C)
Polypropylene .....	35° to 175° F (2° to 79° C)
Polyurethane .....	10° to 150° F (-12° to 66° C)
PVDF (Kynar) .....	10° to 200° F (-12° to 93° C)
Santoprene .....	-40° to 225° F (-40° to 107° C)
P.T.F.E. ....	40° to 225° F (4° to 107° C)
Composite PTFE .....	14° to 194° F (-10° to 90° C)
Viton .....	-40° to 350° F (-40° to 177° C)

### Displacement / Cycle @ 100 p.s.i.

Standard Diaphragm .....	0.72 gallons (2.7 litres)
Composite PTFE Diaphragm .....	0.48 gallon (1.8 litres)
<b>Noise Level @ 70 p.s.i. - 60 c.p.m.</b> ①	77.7 db(A) ②

Notes:

- ① Tested with 93139 muffler installed.
- ② The pump sound pressure level has been updated to an Equivalent Continuous Sound Level (L<sub>Aeq</sub>) to meet the intent of ANSI S1. 13-1971, CAGI-PNEUROP S5.1 using four microphone locations.

### ACCESSORIES:

- 65010 Neoprene "O" Ring Air Motor Kit
- 65764 Viton "O" Ring Air Motor Kit
- 66084-1 Air Line Connection Kit

**PERFORMANCE CURVES**

**6662XX-XXX-C 2" NON-METALLIC DIAPHRAGM PUMP**

