

# SALES & ENGINEERING DATA

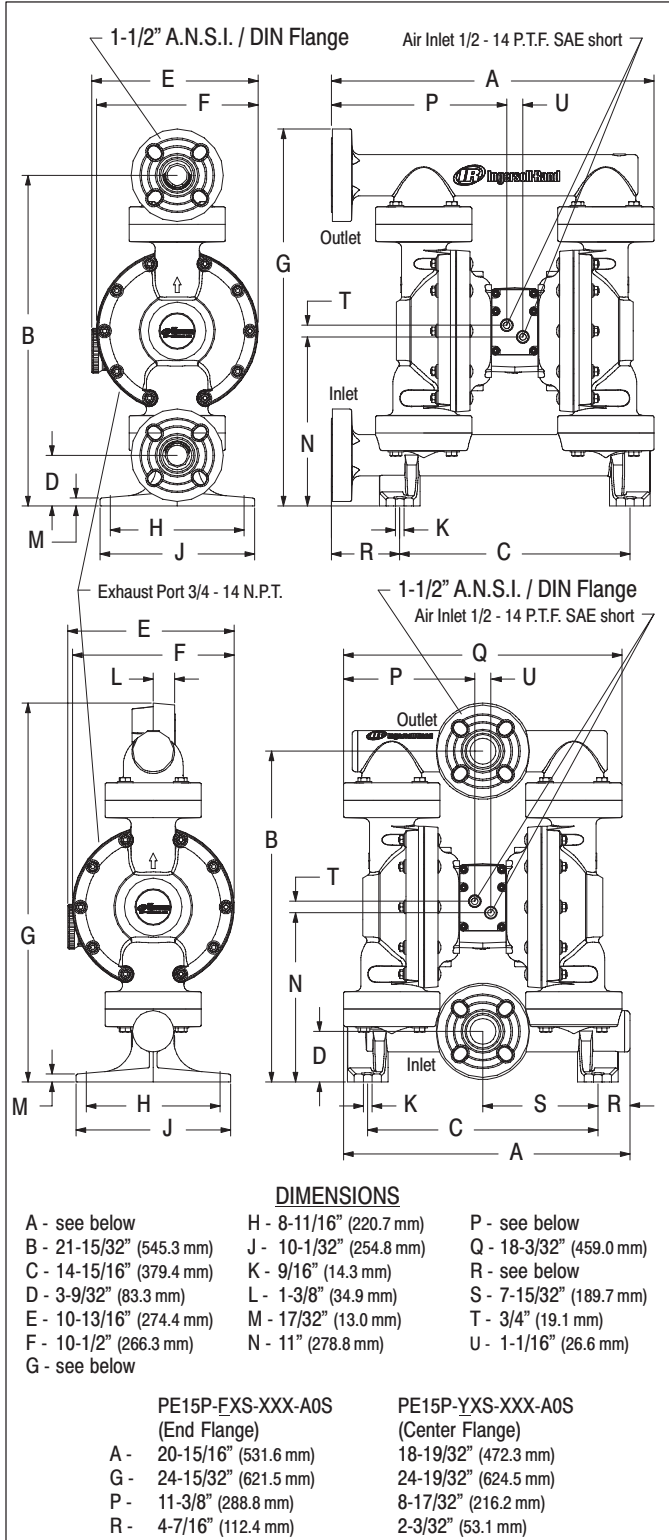
RATIO SERIES: **1:1**

FLUID P.S.I. RANGE: **20 - 120**

RELEASED: 9-23-04  
 REVISED: 6-9-10  
 (REV. 03) S-1326

## PE15P-XXS-XXX-A0S 1-1/2" NON-METALLIC DIAPHRAGM PUMP

### DIMENSIONAL DATA



### SPECIFICATIONS

#### CONSTRUCTION

<b>Model Series</b> .....	PE15P-XXS-XXX-A0S
<b>Pump Type</b> .....	Non-Metallic, Air Operated, Double Diaphragm
<b>Ratio</b> .....	1:1
<b>Material Inlet / Outlet</b> .....	1-1/2" A.N.S.I. / DIN Flange
<b>Air Inlet (female)</b> .....	1/2 - 14 P.T.F. SAE Short
<b>Air Exhaust (female)</b> .....	3/4 - 14 N.P.T.
<b>Weight</b> ..	PE15P-FKS-XXX-A0S ... 63.51 lbs (28.81 kgs) PE15P-FPS-XXX-A0S ... 42.17 lbs (19.13 kgs) PE15P-YKS-XXX-A0S ... 55.51 lbs (25.18 kgs) PE15P-YPS-XXX-A0S ... 41.87 lbs (18.99 kgs)
<b>Air Section Service Kit</b> .....	637413
<b>Fluid Section Service Kit</b> .....	637391-XX

**PE15P-XXS-X [X] [X] -A0S**  
**637391 - [X] [X]**

Diaphragm Material  
 Ball Material

EXAMPLE: Model # PE15P-FPS-PAA-A0S  
 Fluid Section Service Kit is 637391-AA

#### PERFORMANCE

<b>Air Inlet Pressure Range</b> .....	20 - 120 p.s.i. (1.4 - 8.3 bar)
<b>Maximum Material Inlet Pressure</b> ..	10 p.s.i. (0.69 bar)
<b>Fluid Pressure Range</b> .....	20 - 120 p.s.i. (1.4 - 8.3 bar)
<b>Maximum Flow Rate (flooded inlet)</b> ...	123.1 g.p.m. (465.9 l.p.m.)
<b>Displacement / Cycle @ 100 p.s.i.</b> ..	0.617 gal. (2.34 lit.)
<b>Maximum Particle Size</b> .....	1/4" dia. (6.4 mm)
<b>Maximum Temperature Limits (diaphragm / ball / seal material)</b>	
E.P.R. / EPDM .....	-60° to 280° F (-51° to 138° C)
Hytel .....	-20° to 150° F (-29° to 66° C)
Nitrile .....	10° to 180° F (-12° to 82° C)
Polypropylene .....	35° to 150° F (2° to 66° C)
P.V.D.F. (Kynar) .....	10° to 200° F (-12° to 93° C)
Santoprene .....	-40° to 225° F (-40° to 107° C)
PTFE .....	40° to 225° F (4° to 107° C)
Viton .....	-40° to 350° F (-40° to 177° C)
<b>Noise Level @ 70 p.s.i. - 60 c.p.m.</b> ..	81.0 db(A) <sup>①</sup>

① The pump sound pressure level has been updated to an Equivalent Continuous Sound Level (L<sub>Aeq</sub>) to meet the intent of ANSI S1. 13-1971, CAGI-PNEUROPS S5.1 using four microphone locations.

# PERFORMANCE CURVES

## PE15P-XXS-XXX-A0S 1-1/2" NON-METALLIC DIAPHRAGM PUMP

