

BALDOR® • RELIANCE

Product Information Packet

AFL3521A

1HP,3450RPM,1PH,60HZ,56,3524L,TEAO,F1

Part Detail							
Revision:	AH	Status:	PRD/A	Change #:		Proprietary:	No
Type:	AC	Prod. Type:	3524L	Elec. Spec:	35WG0498	CD Diagram:	CD0052
Enclosure:	TEAO	Mfg Plant:		Mech. Spec:	35T954	Layout:	35LYT954
Frame:	56	Mounting:	F1	Poles:	02	Created Date:	06-22-2007
Base:	RG	Rotation:	RS	Insulation:	B	Eff. Date:	09-06-2016
Leads:	4#16 A&J,2#18 B PH,1#14 #1TH					Replaced By:	
Literature:		Elec. Diagram:					

Nameplate NP1280L											
CAT.NO.	AFL3521A										
SPEC.	35T954-0498										
HP	1										
VOLTS	115/230										
AMP	12/6										
RPM	3450										
FRAME	56				HZ	60			PH	1	
SER.F.	1.25				CODE	K		DES	N	CL	B
NEMA-NOM-EFF	66				PF	81					
RATING	40C AMB-CONT										
CC									USABLE AT 208V		
DE	6205				ODE	6203					
ENCL	TEAO				SN						
	SFA 14.4/7.2										

Parts List		
Part Number	Description	Quantity
SA111039	SA 35T954-0498	1.000 EA
RA102418	RA 35T954-0498	1.000 EA
EC1645A06SP	ELEC CAP, 645-774 MFD, 125V, 2.06D X 4.	1.000 EA
11XT0832G06	8-32 X 3/8 TY 23 TAPPING	1.000 EA
51XW0832A07	8-32 X .44, TAPTITE II, HEX WSHR SLTD SE	2.000 EA
35EP3102A01SP	FR ENDPLATE, MACH	1.000 EA
NS2501A01	INSULATOR, CAPACITOR	1.000 EA
51XB1016A05	10-16X5/16HX WA SL SR TYB (F/S)	2.000 EA
HW5100A03SP	WAVY WASHER (W1543-017)	1.000 EA
35EP3101A02SP	STD PU ENDPLATE-ENCL-205 BRG LESS GREASE	1.000 EA
XY1032A02	10-32 HEX NUT DIRECTIONAL SERRATION	4.000 EA
WD4100A01	DP-875 HEYCO PLUG OR 62MP0875 MICRO PLAS	1.000 EA
35CB4500SP	TERMINAL BOX LID STAMPED	1.000 EA
35GS1002	GASKET,1/16 THICK LEXIDE	1.000 EA
51XW0832A07	8-32 X .44, TAPTITE II, HEX WSHR SLTD SE	2.000 EA
HW2501D13	KEY, 3/16 SQ X 1.375	1.000 EA
HA7000A04	KEY RETAINER 0.625 DIA SHAFTS	1.000 EA
85XU0407S04	4X1/4 U DRIVE PIN STAINLESS	2.000 EA
RM1001A01	GROMMET "MIDSTATES"	1.000 EA
WD1000A15	3-520132-2 AMP FLAG (4M/RL NON-CANC/NON-	2.000 EA
MJ1000A02	GREASE, POLYREX EM EXXON (USe 4824-15A)	0.050 LB
MG1025C02	WILKOFASST SG, 787.105, TAN	0.017 GA
SP5066A01	MODEL 35 TERMINAL PANEL SWITCH WITH LEAD	1.000 EA
35CB4802A02SP	CAPACITOR COVER, STAMPED X	1.000 EA

Parts List (continued)		
Part Number	Description	Quantity
35GS3001A02	GASKET, CA.COVER, 5.38 LONG .06 CS301	1.000 EA
HA3100A18	THRUBOLT 10-32 X 9.250	4.000 EA
LB1118	LABEL,WARNING (ROLL LABEL)	1.000 EA
LC0052	CONNECTION LABEL	1.000 EA
NP1280L	ALUM FARM DUTY UL CSA CC THERMAL	1.000 EA
35PA1000	PKG GRP, PRINT PK1008A06	1.000 EA

Accessories		
Part Number	Description	Multiplier
35-8762	C FACE KIT	A8
35EP1506A01SP	D-FLANGE KIT	A8

AC Induction Motor Performance Data
Record # 8070 - Typical performance - not guaranteed values

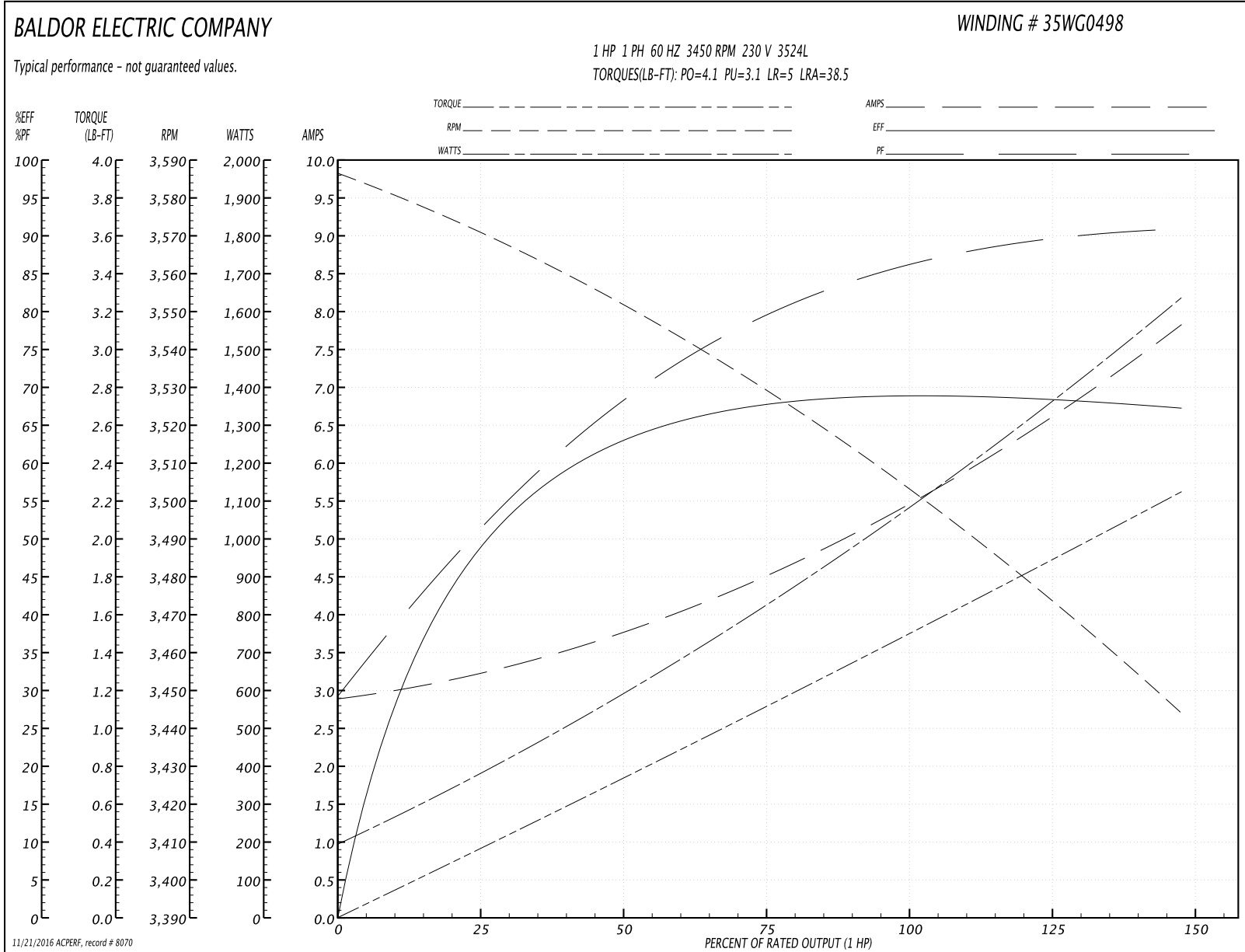
Winding: 35WG0498-R001	Type: 3524L	Enclosure: TEFC
-------------------------------	--------------------	------------------------

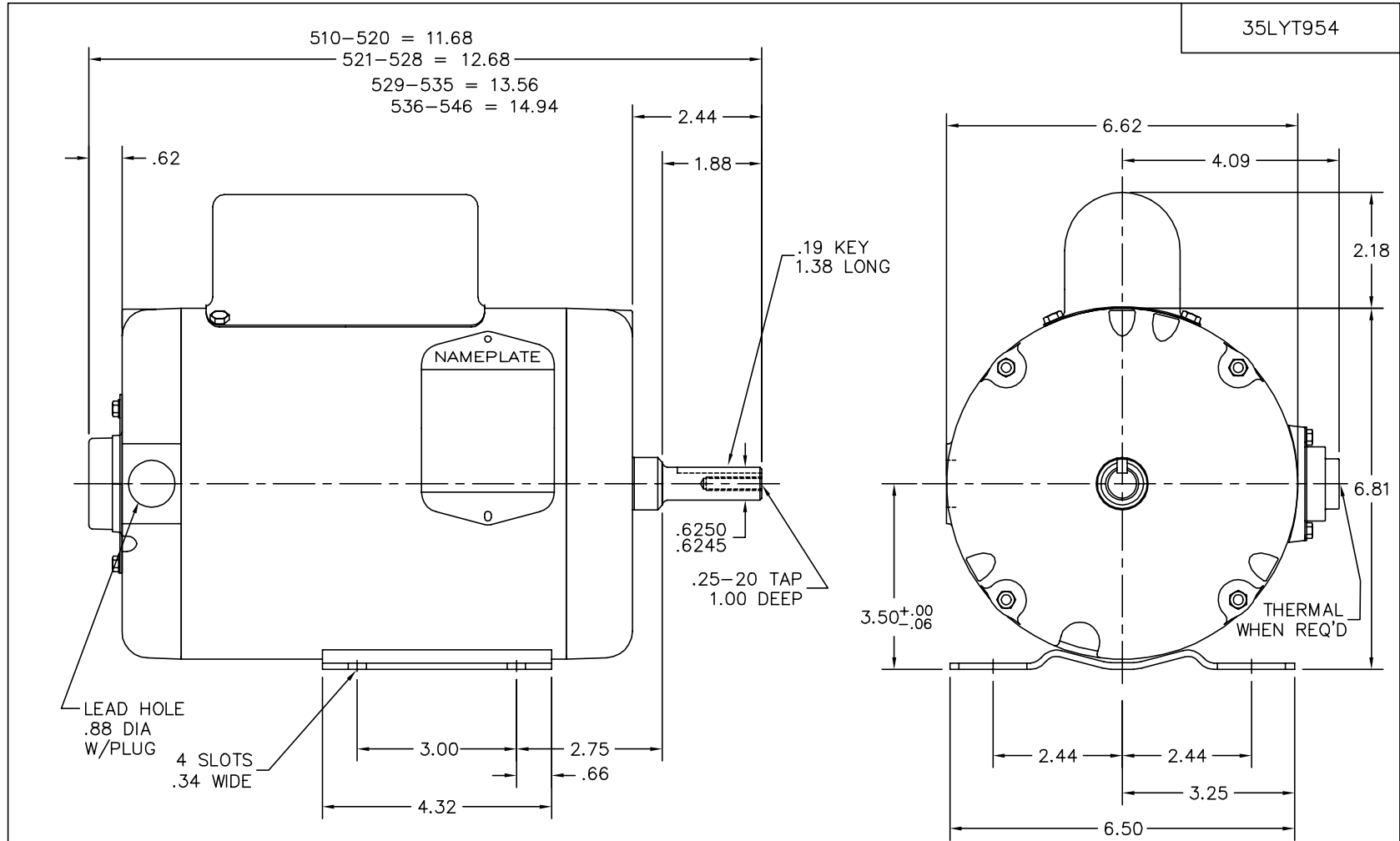
Nameplate Data				230 V, 60 Hz: High Voltage Connection	
Rated Output (HP)	1			Full Load Torque	1.5 LB-FT
Volts	115/230			Start Configuration	direct on line
Full Load Amps	12/6			Breakdown Torque	4.1 LB-FT
R.P.M.	3450			Pull-up Torque	3.1 LB-FT
Hz	60	Phase	1	Locked-rotor Torque	5 LB-FT
NEMA Design Code	N	KVA Code	K	Starting Current	38.5 A
Service Factor (S.F.)	1.25			No-load Current	2.95 A
NEMA Nom. Eff.	66	Power Factor	81	Line-line Res. @ 25°C	2.46 Ω A Ph 1.75 Ω B Ph
Rating - Duty	40C AMB-CONT			Temp. Rise @ Rated Load	
S.F. Amps	14.4/7.2			Temp. Rise @ S.F. Load	

Load Characteristics 230 V, 60 Hz, 1 HP

% of Rated Load	25	50	75	100	125	150	S.F.
Power Factor	50	64	75	81	84	86	84
Efficiency	49	65	67	69	68	67.5	68
Speed	3570	3550	3530	3505	3472	3445	3472
Line amperes	3.2	3.7	4.5	5.5	6.75	7.7	6.75

Performance Graph at 230V, 60Hz, 1.0HP Typical performance - Not guaranteed values





AERATION FAN MOTOR

CUSTOMER IS RESPONSIBLE FOR DETERMINING THAT MOTOR PERFORMANCE IS SUITABLE IN THE APPLICATION.

REV. DESC: ADDED THERMAL GRAPHICS			BALDOR ELECTRIC Co.
REV. LTR: A	VERSION: 01	TDR: 000000414007	
35LYT954	FILE: \AAA\00111\278	REVISED: 16:44:09 11/08/2006	HORZ 56 TEAO 35L TERM PANEL W/ .25-20 TAP IN SHAFT (2 POLE)
	MTL: -	BY: ENBRAMO	

35LYT954

CD0052

