

BALDOR® • **RELIANCE**

Product Information Packet

AP7402

.25HP,3450RPM,DC,2424P,TENV

Part Detail							
Revision:	R	Status:	PRD/A	Change #:		Proprietary:	No
Type:	DC	Prod. Type:		Elec. Spec:	24WGZ107	CD Diagram:	CD1899
Enclosure:	TENV	Mfg Plant:		Mech. Spec:		Layout:	24A174Z107
Frame:		Mounting:		Poles:	///	Created Date:	
Base:		Rotation:	R	Insulation:	F	Eff. Date:	08-20-2014
Field Type:		Literature:		Elec. Diagram:		Replaced By:	

Nameplate NP1220A24	
CAT.NO.	AP7402
SER.NO.	
SPEC.	24A174Z107
FRAME	TYPE 2424P
HP	.25 TE
VOLTS	90DC
AMP	2.5
F.F.	1.5 CLASS F
RPM	3450
AMB.	40 DUTY CONT
BRUSHES	2/BP5052BP01
APRV-CE	APRV-CUL

Parts List		
Part Number	Description	Quantity
SA092689	SA 24A174Z107	1.000 EA
AA008597	AA 24A174Z107	1.000 EA
LC0899A07	CONNECTION LABEL, DCPM CW ROTATION CE CO	1.000 EA
BP5052BP01SP	BRUSH, GRADE R884 NATIONAL CARBON (FOR 1	1.000 EA
24EP3107A02L	EP,24DC DE CL 6200 PARA	1.000 EA
HW5002A45	RETAINING RING,WALDES TRUARC N5002-118	1.000 EA
BA0166A00L	BASE,24 FRAME CLOW	1.000 EA
08XN2520A06	1/4-20 X 3/8 FLAT HD PHILLIPS	2.000 EA
MJ5019A01	ADHESIVE LOCTITE #680 WAS BAD4525	0.010 EA
24EP3102A01L	EP,24DC 0DE CL 0.63P4	1.000 EA
80XN1032A04	10-32 X 1/4 SET SCREW	2.000 EA
HW5109A13	WASHER, WAVE SPRING FOR 26MM BORE SMALLE	1.000 EA
WD4102A01	SR-6L-1 HEYCO STRN RELIEF OR 23MPO6L10 M	1.000 EA
BP4529SP	BRUSH TUBE HOLDER:BBR1097	1.000 EA
BP4530SP	BRUSH TUBE CAP:BBR1094	1.000 EA
HA3100A10	THRUBOLT 10-32 X 6.250	2.000 EA
BCB1111-115	CABLE ASS'Y, 18-3-SJTO 24F	1.000 EA
NP1220A24	NP,DC STD AD NONE V CE CUL MOTOR ONLY	1.000 EA
MN416A01	TAG-INSTAL-MAINT no wire (1200/bx) 11/14	1.000 EA
LB1451	WARNING LABEL, CE WARNING SYMBOLS ONLY	1.000 EA
CPA1000	PACKING GROUP STD. SINGLE	1.000 EA
MG2000A14	RUST VETO 342 RUST INHIBITOR	0.001 GA

Accessories		
Part Number	Description	Multiplier
BC130	FRAC DC ANALOG,115AC,50/60HZ,3A,1	E9
BC138	3478# KBWM-120 CN3000A57	E9
BC140	CS2934A,120/240VAC .5/1-HP SCR CTL,NEMA	E9
BC140-FBR	3479G KBMD-240D w/FBR CN3000A54	E9
BC141	CHASSIS MOUNT FSCN CN3000A20	E9
BR0050	PLUG IN RESISTOR	E9

DC Motor Performance Data

Record # 896 - Typical performance - not guaranteed values

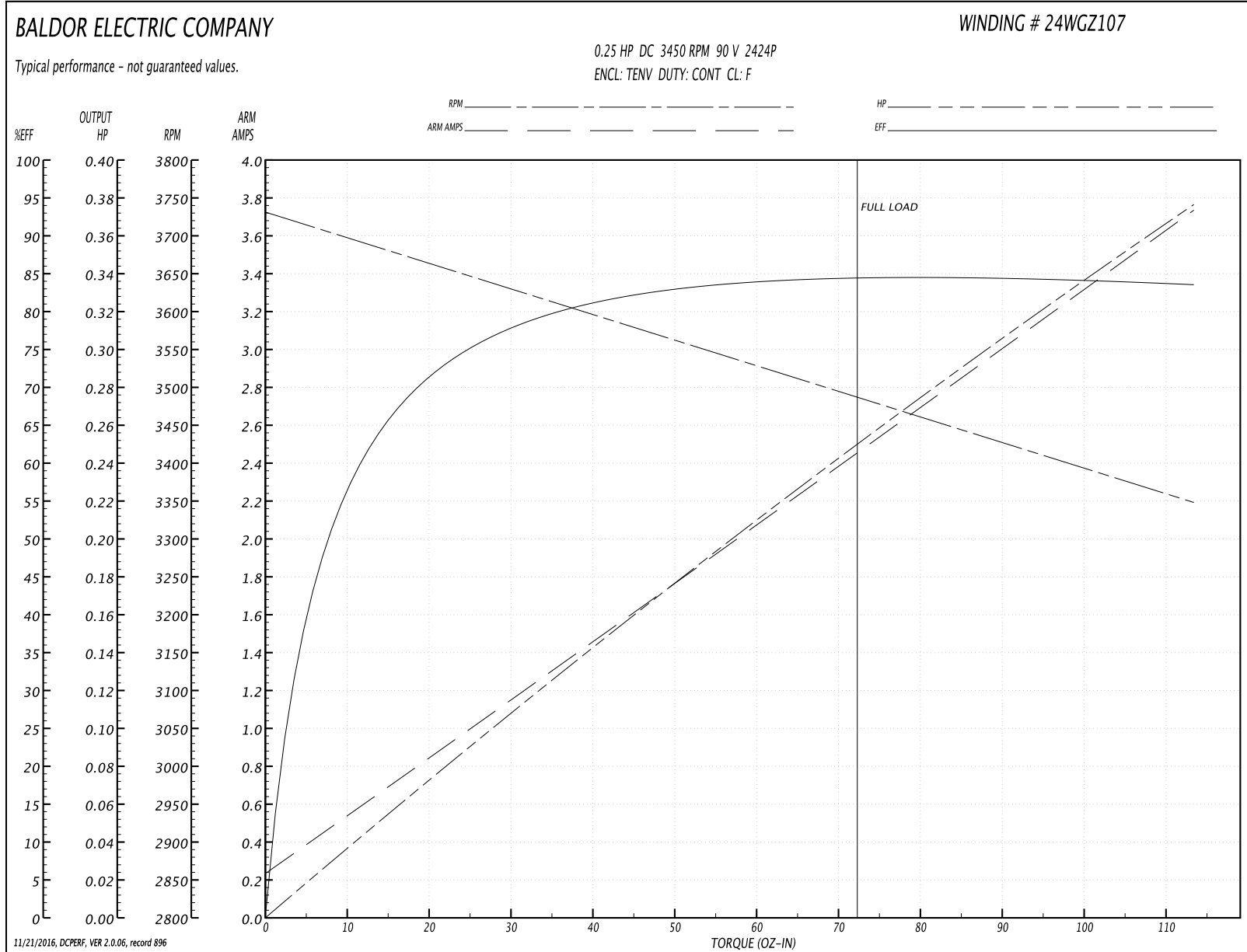
Winding: 24WGZ107-R001	Type: 2424P	Enclosure: TENV
-------------------------------	--------------------	------------------------

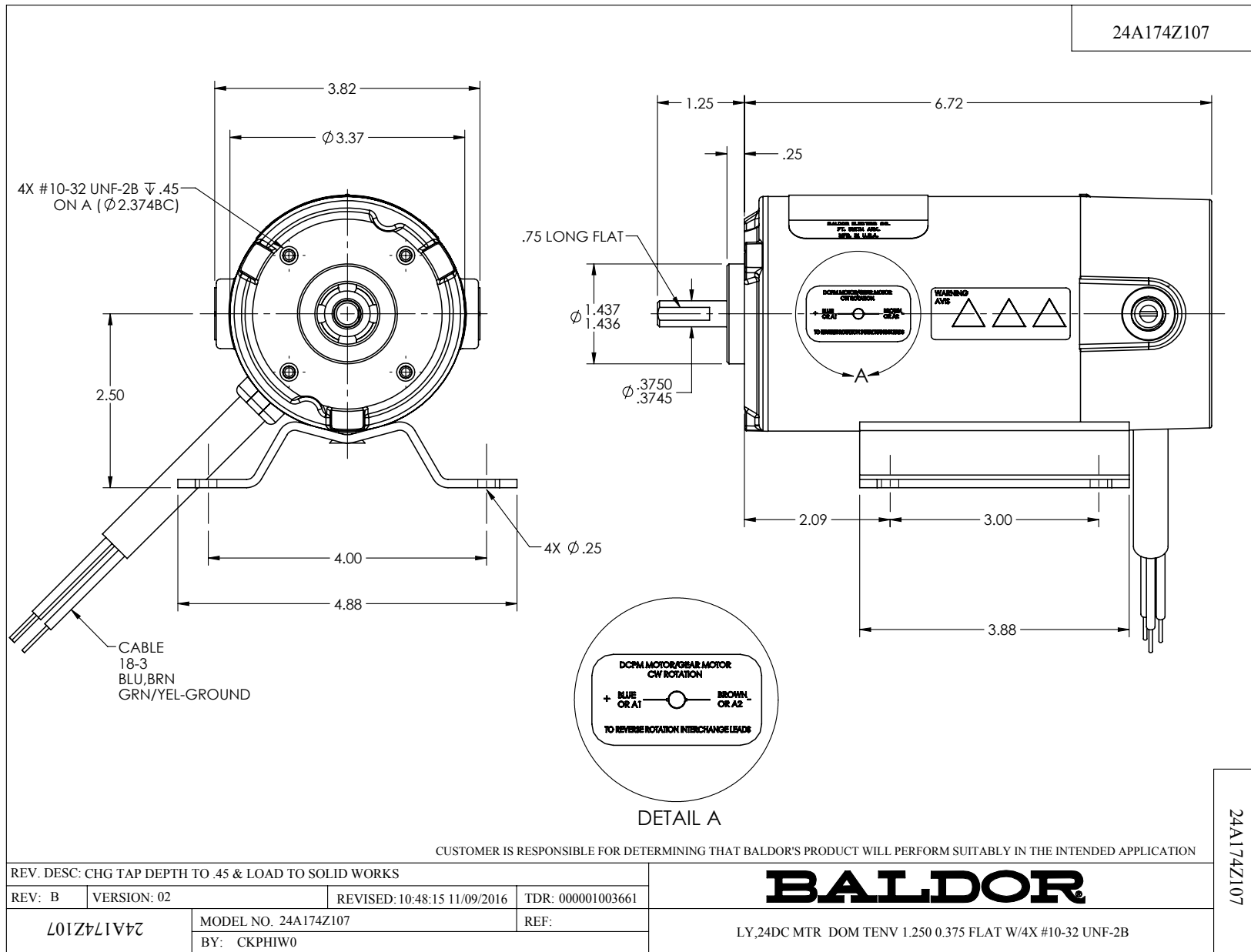
Nameplate Data		General Characteristics	
Rated Output (HP)	0.25	Armature Resistance @ 25°C	2.065 Ω
R.P.M.	3450		
Armature Volts	90		
Armature Amps	2.5		
Field Volts		Armature Inductance	5.84 mH
Field Amps			
Rating - Duty	40C AMB-CONT		
Form Factor	1.5		

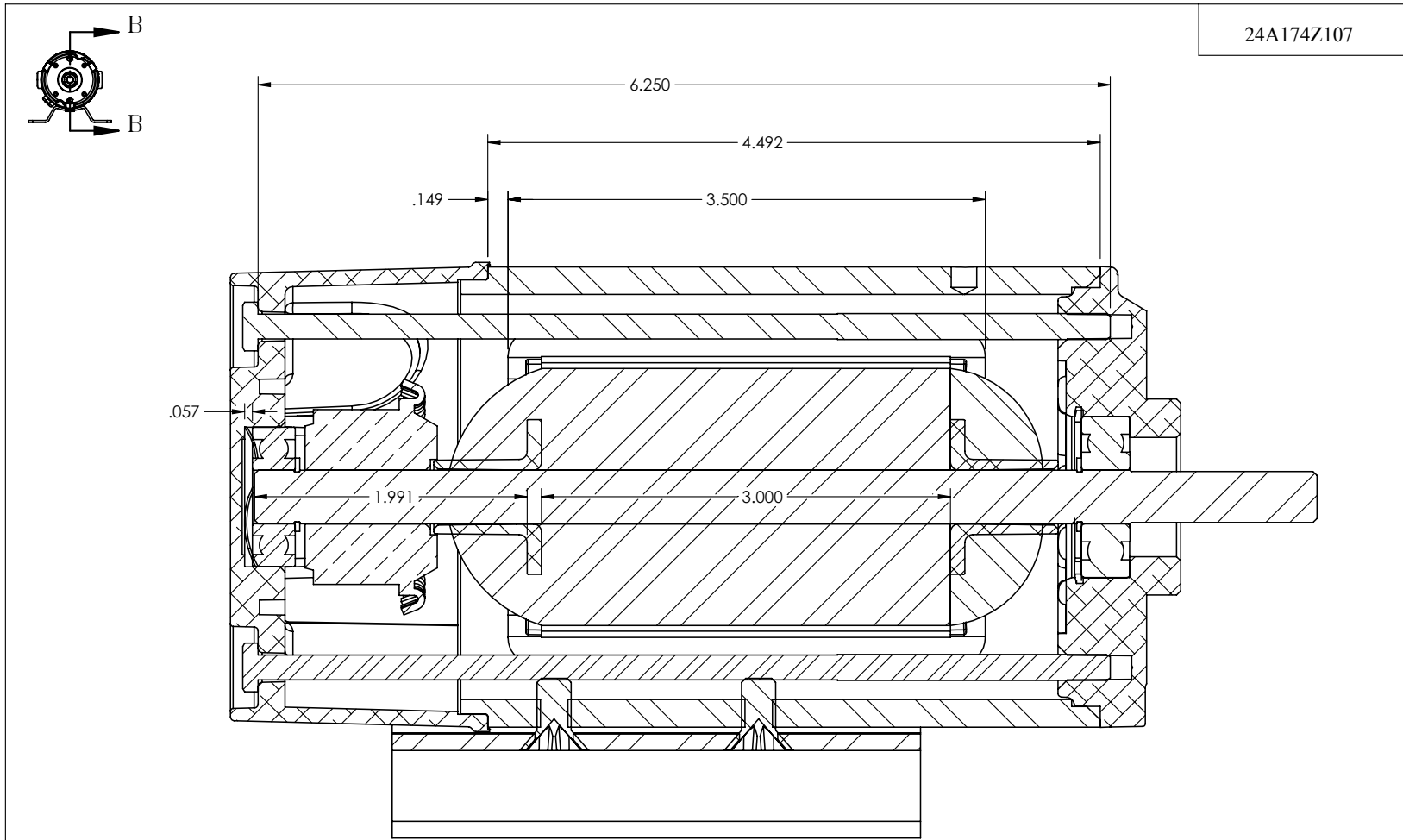
Load Characteristics at 90 Armature Volts

Load Point	1	2	3	4	5	6	7
Armature Amps	0.23	0.78	1.3	1.86	2.45	3.09	3.73
R.P.M.	3730	3673	3608	3549	3500	3421	3341
Torque (OZ-IN)	0	17.4	35	53.6	72	92.4	113.4

Performance Graph at 90.0 Arm V, 0.25HP Typical performance - Not guaranteed values







SECTION B-B

CUSTOMER IS RESPONSIBLE FOR DETERMINING THAT BALDOR'S PRODUCT WILL PERFORM SUITABLY IN THE INTENDED APPLICATION

REV. DESC: CHG TAP DEPTH TO .45 & LOAD TO SOLID WORKS

REV: B	VERSION: 02	REVISED: 10:48:15 11/09/2016	TDR: 000001003661
--------	-------------	------------------------------	-------------------

24A174Z107	MODEL NO. 24A174Z107	REF:
	BY: CKPHIW0	

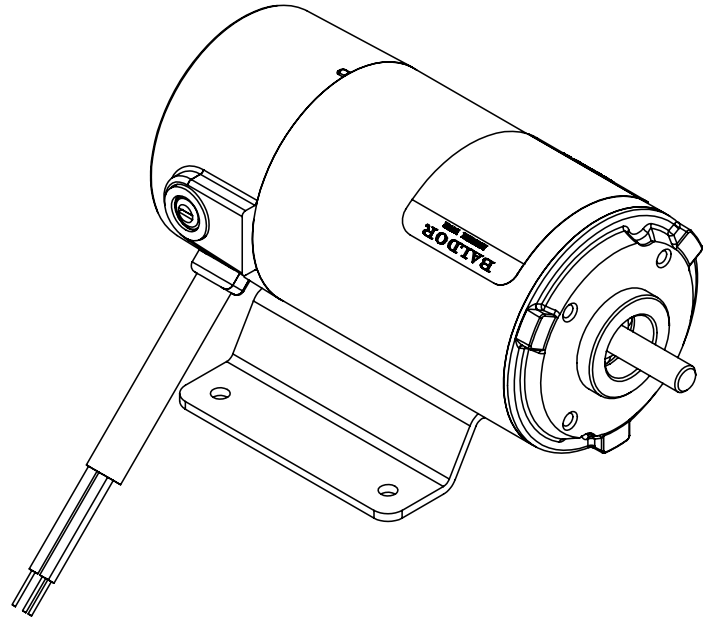
BALDOR

LY,24DC MTR DOM TENV 1.250 0.375 FLAT W/4X #10-32 UNF-2B

24A174Z107

ITEM NO.	PART NUMBER	QTY.
1	24EP3107A02	1
2	BG6200C03	1
3	HW5002A45	1
4	24SH4001D24	1
5	HW5060A23	2
6	24AA2024A01	1
7	BG6000C03	1
8	24SB3100D26	1
9	PM1049A06	2
10	BA0166A00	1
11	08XN2520A06	2
12	24EP3102A01	1
13	HW5109A13	1
14	BP4529	2
15	80XN1032A04	2
16	BP5052	2
17	BP4530	2
18	HA3100A10	2
19	WD4102A01	1
20	BCB1111-115	1
21	NP1220A24	1
22	LB1451	1
23	LC0899A07	1

24A174Z107



CUSTOMER IS RESPONSIBLE FOR DETERMINING THAT BALDOR'S PRODUCT WILL PERFORM SUITABLY IN THE INTENDED APPLICATION

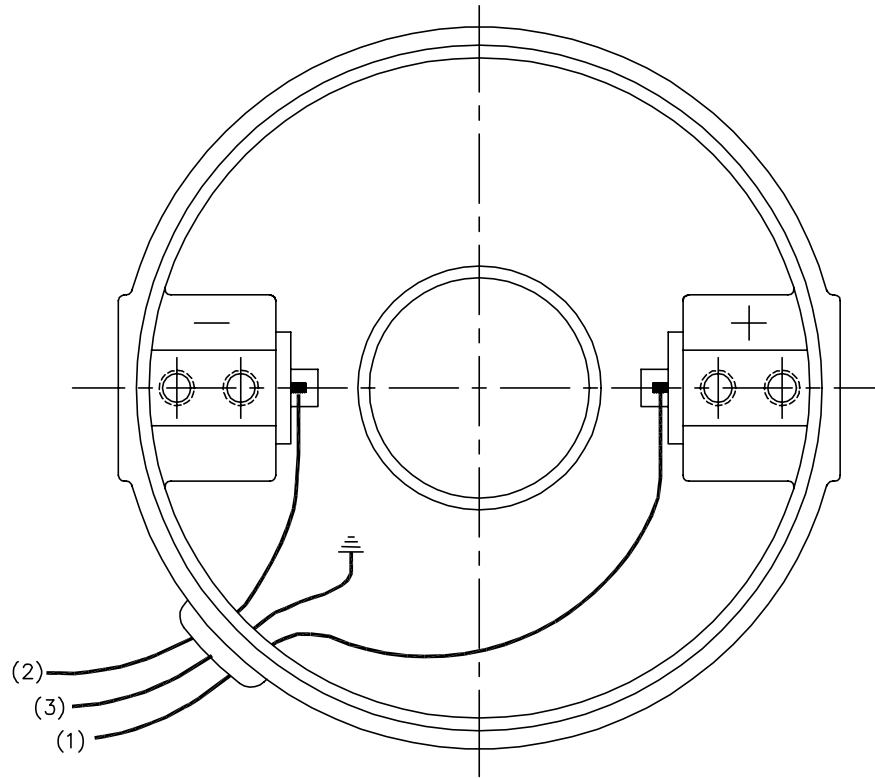
REV. DESC: CHG TAP DEPTH TO .45 & LOAD TO SOLID WORKS			
REV: B	VERSION: 02	REVISED: 10:48:15 11/09/2016	TDR: 000001003661
24A174Z107	MODEL NO. 24A174Z107	REF:	
	BY: CKPHIW0		

BALDOR

LY,24DC MTR DOM TENV 1.250 0.375 FLAT W/4X #10-32 UNF-2B

24A174Z107

CD1899



(1) COLOR MAY BE
RED
WHT
BLU

(2) COLOR MAY BE
BLK
BRN

(3) COLOR WHEN REQ.
GRN
GRN/YEL

VIEWED FROM
DRIVE END

REV. DESC: NEW			
REV. LTR: -	BY: PAW	REVISED: 09:06:34 09/16/2004	TDR: 341564
668100		FILE: CKA00025830	REF: CD1899
		MTL: -	

BALDOR ELECTRIC Co.

PM,2LD,REV,TANG,CK

CD1899