

BALDOR® • *RELIANCE*

Product Information Packet

CHC164A

.25HP, 1100RPM, 1PH, 60HZ, 48Z, 3411C, TEAO, F1

Part Detail							
Revision:	D	Status:	PRD/A	Change #:		Proprietary:	No
Type:	AC	Prod. Type:	3411C	Elec. Spec:	34WGR204	CD Diagram:	CD0804
Enclosure:	TEAO	Mfg Plant:		Mech. Spec:	34M212	Layout:	34LYM212
Frame:	48Z	Mounting:	F1	Poles:	06	Created Date:	10-17-2014
Base:	RS	Rotation:	RS	Insulation:	B	Eff. Date:	08-08-2016
Leads:	7#18					Replaced By:	
Literature:		Elec. Diagram:					

Nameplate NP1257L	
CAT.NO.	CHC164A
SPEC.	34M212R204G1
HP	.25
VOLTS	115/230
AMP	3/1.5
RPM	1100
FRAME	48Z
	HZ 60
	PH 1
SER.F.	1.15
	CODE B
	DES -
	CL B
NEMA-NOM-EFF	59.5
	PF 92
RATING	40C AMB-CONT
CC	USABLE AT 208V 1.6
DE	6203
	ODE 6203
ENCL	TEAO
	SN

Parts List		
Part Number	Description	Quantity
SA288429	SA 34M212R204G1	1.000 EA
RA274620	RA 34M212R204G1	1.000 EA
OC3020F12	CYL OIL CAP 20MFD/370V	1.000 EA
11XT0832G06	8-32 X 3/8 TY 23 TAPPING	1.000 EA
LD5000A52	LEAD ASSY W/INTERNAL STAR RING TERMINALS	1.000 EA
11XT1032A06	10-32 X 3/8 HX WSHR HD SLTD TYPE 23	2.000 EA
51XW0832A07	8-32 X .44, TAPTITE II, HEX WSHR SLTD SE	3.000 EA
WD4100A01	DP-875 HEYCO PLUG OR 62MP0875 MICRO PLAS	1.000 EA
RM1001A01	GROMMET "MIDSTATES"	1.000 EA
34EP3204A01SP	FR ENDPLATE, MACH	1.000 EA
HA6004A01A	CLAMP CUSHION RING ASSY	1.000 EA
RM1000A03	CUSHION RING, MDL 17-33-34	1.000 EA
NS2501A01	INSULATOR, CAPACITOR	1.000 EA
34GS5003A01	FOAM SLEEVE, ID = 2 1/16" X 4 3/8"	1.000 EA
51XB1016A05	10-16X5/16HX WA SL SR TYB (F/S)	2.000 EA
HW5100A03SP	WAVY WASHER (W1543-017)	1.000 EA
34EP3205B01	PU ENDPLATE, MACH	1.000 EA
RM1000A03	CUSHION RING, MDL 17-33-34	1.000 EA
HA6004A01A	CLAMP CUSHION RING ASSY	1.000 EA
XY0832A02	8-32 HEX NUT	4.000 EA
34CB4501SP	TERMINAL BOX LID, STAMPED X (PLATED)	1.000 EA
34GS1005	GASKET, TERM PLATE LID	1.000 EA
51XW0832A07	8-32 X .44, TAPTITE II, HEX WSHR SLTD SE	2.000 EA
HW1000A08	#8 SAE FLAT WASHER	4.000 EA

Parts List (continued)		
Part Number	Description	Quantity
10XF0440S02	04-40 X 1/8 TYPE F HEX HD STAINLESS STIC	2.000 EA
34BA4001A01SP	RESILIENT BASE, 408-416	1.000 EA
SP5076SP	MODEL 34 TERMINAL PANEL WITH QUICK CONNE	1.000 EA
33CB4800A01	CAPACITOR COVER, STAMPED	1.000 EA
35GS3001A01	GASKET, CAPACITOR COVER	1.000 EA
HA3169A17	THRUBOLT #8-32 THDS X 8.375" LONG	4.000 EA
LB1118	LABEL,WARNING (ROLL LABEL)	1.000 EA
MN416A01	TAG-INSTAL-MAINT no wire (1200/bx) 11/14	1.000 EA
LC0052	CONNECTION LABEL	1.000 EA
NP1257L	ALUM UL CSA CC THERMAL REV MTG	1.000 EA
35PA1000	PKG GRP, PRINT PK1008A06	1.000 EA

AC Induction Motor Performance Data

Record # 47429 - Typical performance - not guaranteed values

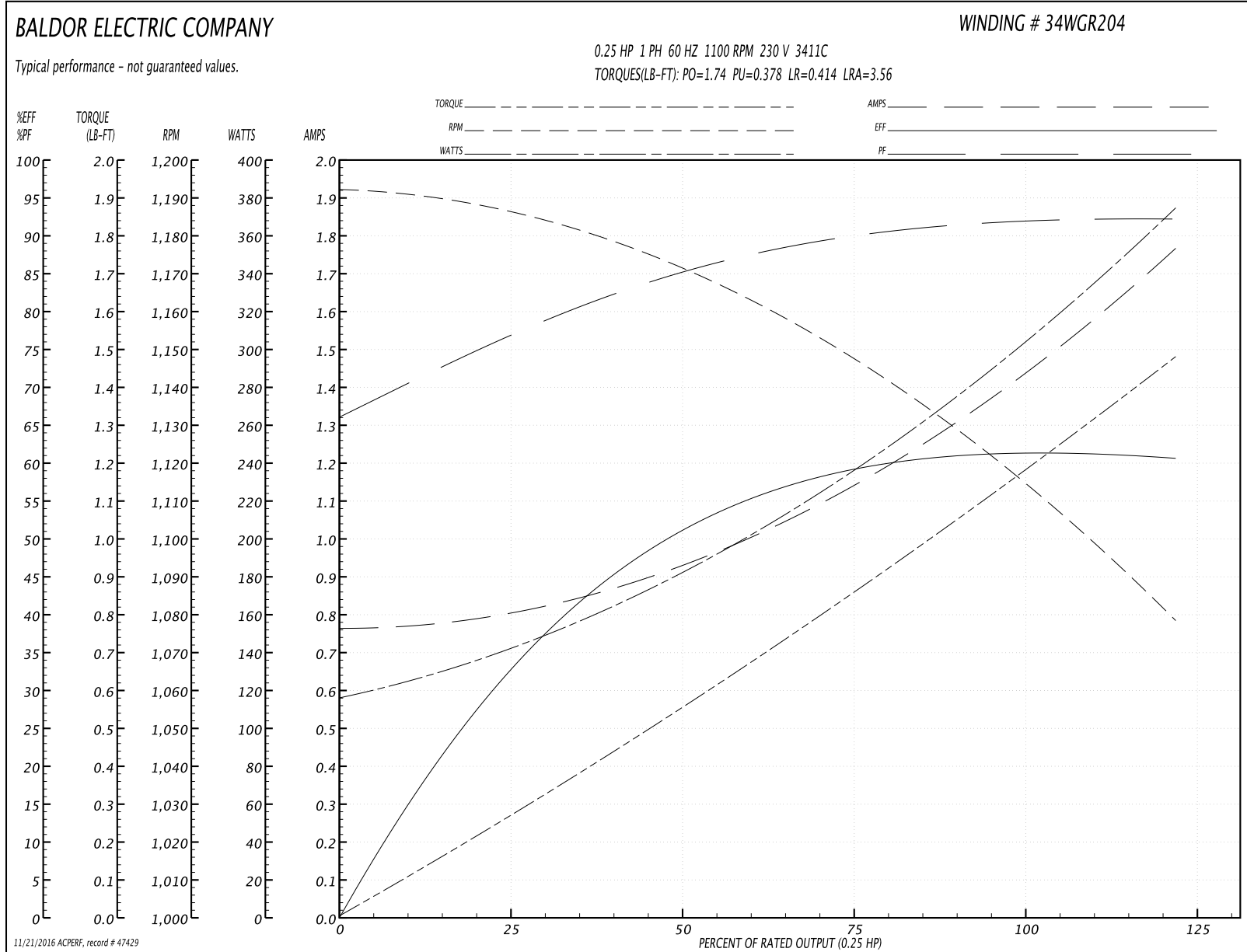
Winding: 34WGR204-R001	Type: 3411C	Enclosure: TEAO
-------------------------------	--------------------	------------------------

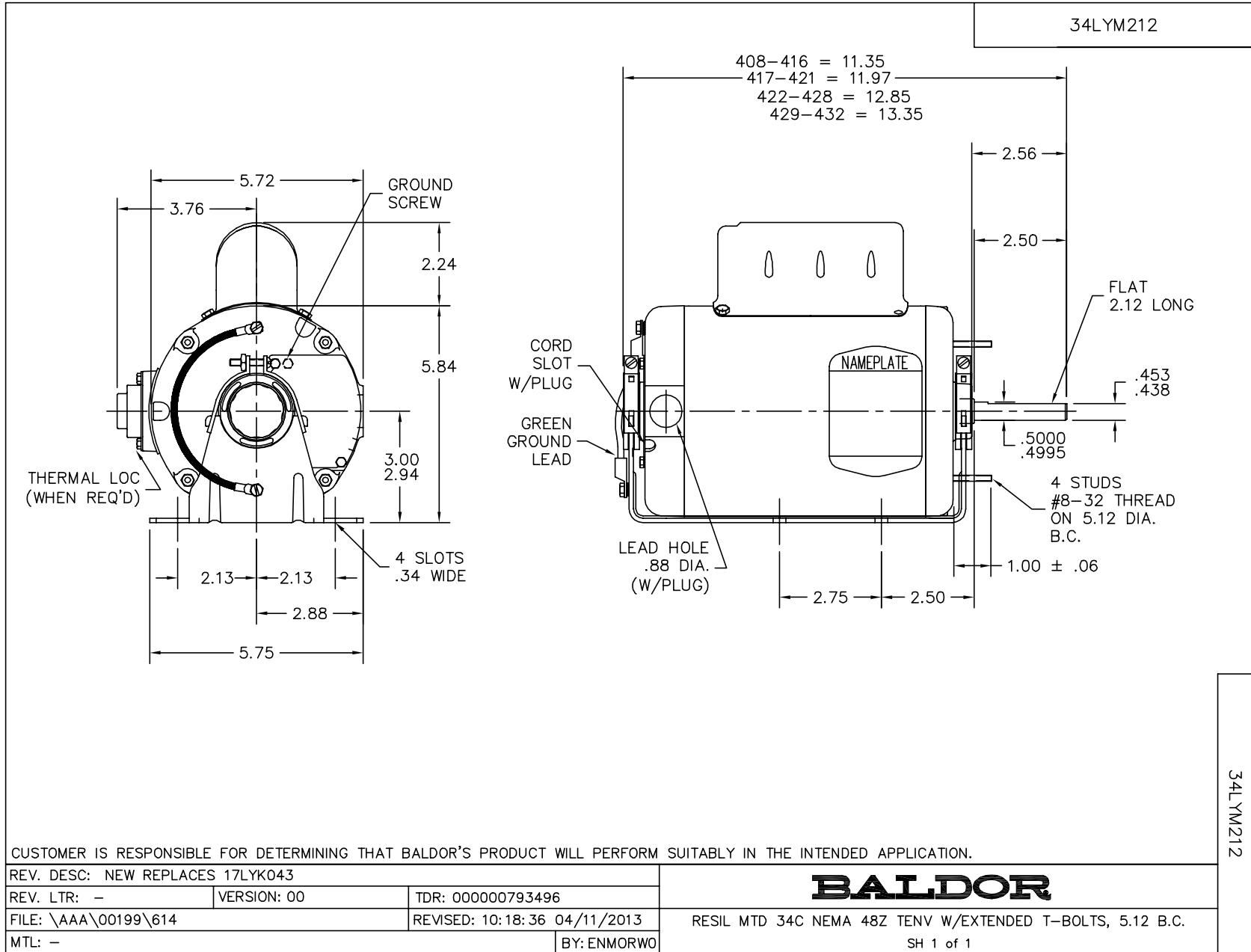
Nameplate Data				230 V, 60 Hz: High Voltage Connection	
Rated Output (HP)	.25			Full Load Torque	1.19 LB-FT
Volts	115/230			Start Configuration	direct on line
Full Load Amps	3/1.5			Breakdown Torque	1.74 LB-FT
R.P.M.	1100			Pull-up Torque	0.378 LB-FT
Hz	60	Phase	1	Locked-rotor Torque	0.414 LB-FT
NEMA Design Code	-	KVA Code	B	Starting Current	3.56 A
Service Factor (S.F.)	1.15			No-load Current	0.755 A
NEMA Nom. Eff.	59.5	Power Factor	92	Line-line Res. @ 25°C	24.299 Ω A Ph 11.702 Ω B Ph
Rating - Duty	40C AMB-CONT			Temp. Rise @ Rated Load	

Load Characteristics 230 V, 60 Hz, 0.25 HP

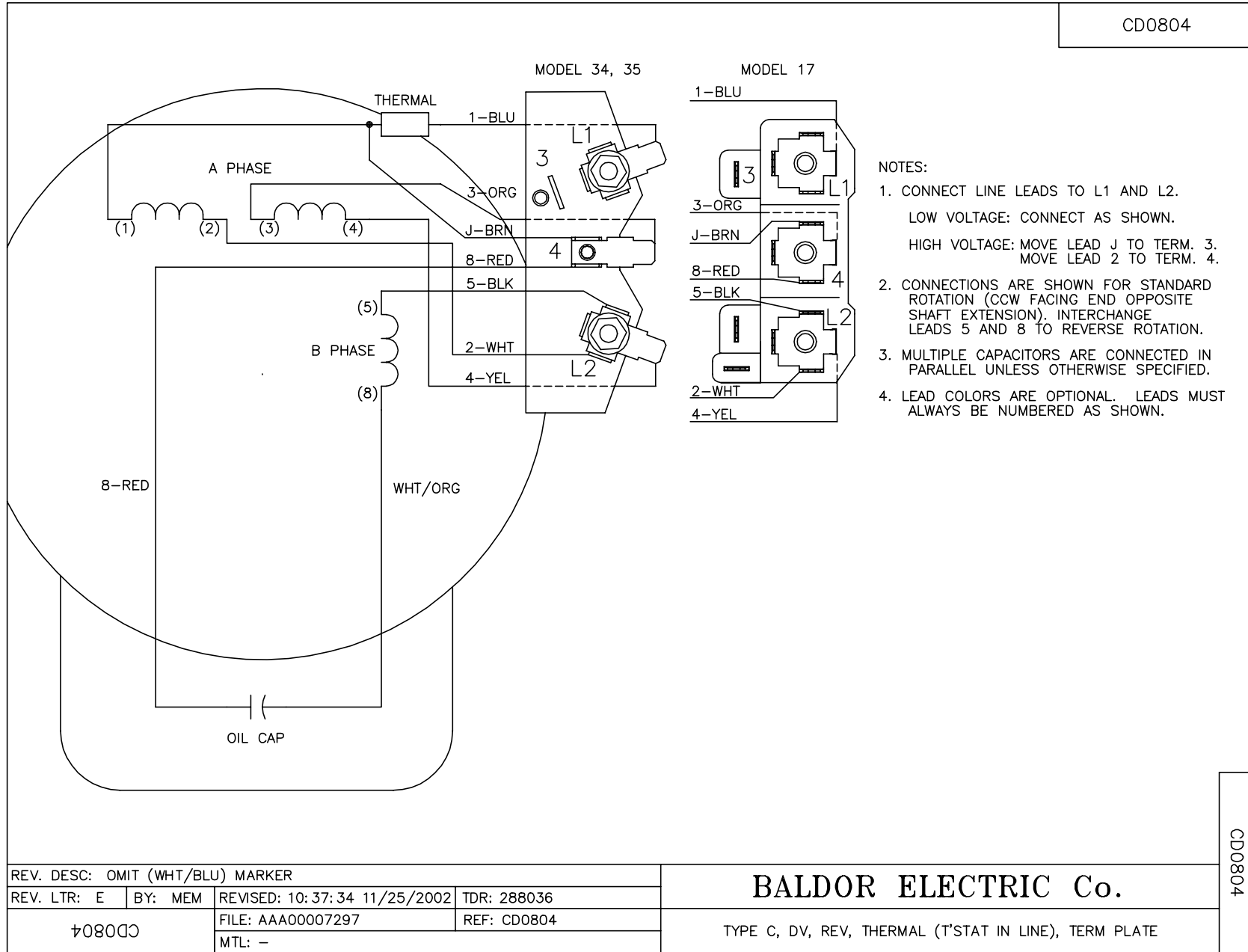
% of Rated Load	25	50	75	100	125	S.F.
Power Factor	79	86	90	92	92	92
Efficiency	33.8	51.2	60.4	63.1	59.8	61.1
Speed	1182	1166.4	1146.4	1119.2	1073.7	1092
Line amperes	0.819	0.962	1.17	1.42	1.79	1.64

Performance Graph at 230V, 60Hz, 0.25HP Typical performance - Not guaranteed values





CD0804



CD0804

REV. DESC: OMIT (WHT/BLU) MARKER			
REV. LTR: E	BY: MEM	REVISED: 10: 37: 34 11/25/2002	TDR: 288036
FILE: AAA00007297		REF: CD0804	
MTL: -			

BALDOR ELECTRIC Co.

TYPE C, DV, REV, THERMAL (T'STAT IN LINE), TERM PLATE