

BALDOR® • RELIANCE

Product Information Packet

CM7010-57

.75HP, 1425RPM, 3PH, 50HZ, 56C, 3428M, XPFC, F1

| Part Detail | | | | | | | |
|-------------|------|----------------|-------|-------------|----------|---------------|------------|
| Revision: | J | Status: | PRD/A | Change #: | | Proprietary: | No |
| Type: | AC | Prod. Type: | 3428M | Elec. Spec: | 34WGY234 | CD Diagram: | CD0022 |
| Enclosure: | XPFC | Mfg Plant: | | Mech. Spec: | 34-5331 | Layout: | 34LY5331 |
| Frame: | 56C | Mounting: | F1 | Poles: | 04 | Created Date: | 09-07-2011 |
| Base: | RG | Rotation: | R | Insulation: | B | Eff. Date: | 08-24-2016 |
| Leads: | 6#18 | | | | | Replaced By: | |
| Literature: | | Elec. Diagram: | | | | | |

| Nameplate NP1426XPSL | |
|----------------------|----------------------|
| NO. | <input type="text"/> |
| SER. | <input type="text"/> |
| SPEC. | 34-5331Y234G1 |
| CAT.NO. | CM7010-57 |
| HP | .75 |
| VOLTS | 230/400 |
| AMPS | 2.9/1.7 |
| RPM | 1425 |
| HZ | 50 |
| SER.F. | 1.00 |
| RATING | 40C AMB-CONT |
| FRAME | 56C |
| USABLE AT 208V | <input type="text"/> |
| BLANK | <input type="text"/> |

| | |
|--------------|----------------------|
| CC | <input type="text"/> |
| T. CODE | T3C |
| PH | 3 |
| CL | B |
| DES | B |
| CODE | N |
| NEMA-NOM-EFF | 75.5 |
| PF | 61 |

| Parts List | | |
|---------------|--|----------|
| Part Number | Description | Quantity |
| SA230321 | SA 34-5331Y234G1 | 1.000 EA |
| RA217351 | RA 34-5331Y234G1 | 1.000 EA |
| MJ5000A01 | SEALANT, CHICO A COMPOUND | 0.050 LB |
| 35CB3001A01SP | EXPL CONDUIT BOX, MACH, 1/2" PIPE TAP LE | 1.000 EA |
| 11XW1032G06 | 10-32 X .38, TAPTITE II, HEX WSHR SLTD U | 1.000 EA |
| HW3001B01 | BRASS CUP WASHER, FOR #8 SCREW | 1.000 EA |
| 34EP3703A01 | FR ENDPLATE, MACH XP | 1.000 EA |
| 51XW0832A07 | 8-32 X .44, TAPTITE II, HEX WSHR SLTD SE | 2.000 EA |
| HW4002A02 | 1-11.5X2LG PIPE NIPPLE (F/S) | 1.000 EA |
| HA1025A13 | WSHR,FELT,.38" THICK F-26 CLASS | 1.000 EA |
| HW3021E06 | 1/8 DIA X 5/8 ROLLPIN (F/S) | 1.000 EA |
| HW5100A03SP | WAVY WASHER (W1543-017) | 1.000 EA |
| 34EP3705A01SP | PU ENDPLATE, MACH | 1.000 EA |
| 34FN3002A01SP | EXTERNAL FAN, PLASTIC, .637/.639 HUB W/ | 1.000 EA |
| 34FH4002A01SP | IEC FH NO GREASER PRIMED | 1.000 EA |
| 51XW1032A06 | 10-32 X .38, TAPTITE II, HEX WSHR SLTD S | 3.000 EA |
| 35CB3500A01SP | CONDUIT BOX LID, MACH | 1.000 EA |
| 51XN2520A16 | SCREW, HEX WS SLT, ZN, 1/4-20 X 1.00 | 4.000 EA |
| HW2501D13 | KEY, 3/16 SQ X 1.375 | 1.000 EA |
| HA7000A04 | KEY RETAINER 0.625 DIA SHAFTS | 1.000 EA |
| SP5037A02 | TERMINAL PLATE ASSY 556434 XP | 1.000 EA |
| NP0018W | ALUM UL XP CONDUIT BOX NAMEPLATE | 1.000 EA |
| WD1000A16 | 2-520128-2 AMP FLAG TERMINAL(4M/RL) | 8.000 EA |
| MG1025G29 | WILKOFAS, 789.229, DARK CHARCOAL GRAY | 0.014 GA |

| Parts List (continued) | | |
|-------------------------------|--|-----------------|
| Part Number | Description | Quantity |
| WD1000A16 | 2-520128-2 AMP FLAG TERMINAL(4M/RL) | 8.000 EA |
| 85XU0407S04 | 4X1/4 U DRIVE PIN STAINLESS | 6.000 EA |
| HA3104A19 | 5/16-18 X 9.750 THRU BOLT OHIO | 4.000 EA |
| LC0034 | CONNECTION LABEL | 1.000 EA |
| LB1119N | WARNING LABEL | 1.000 EA |
| NP1426XPSL | SS XP UL CSA CC CL-I GP-D CL-II GP-F&G | 1.000 EA |
| 35PA1007 | PKG GRP, PRINT PK1034A06 | 1.000 EA |

AC Induction Motor Performance Data

Record # 36363 - Typical performance - not guaranteed values

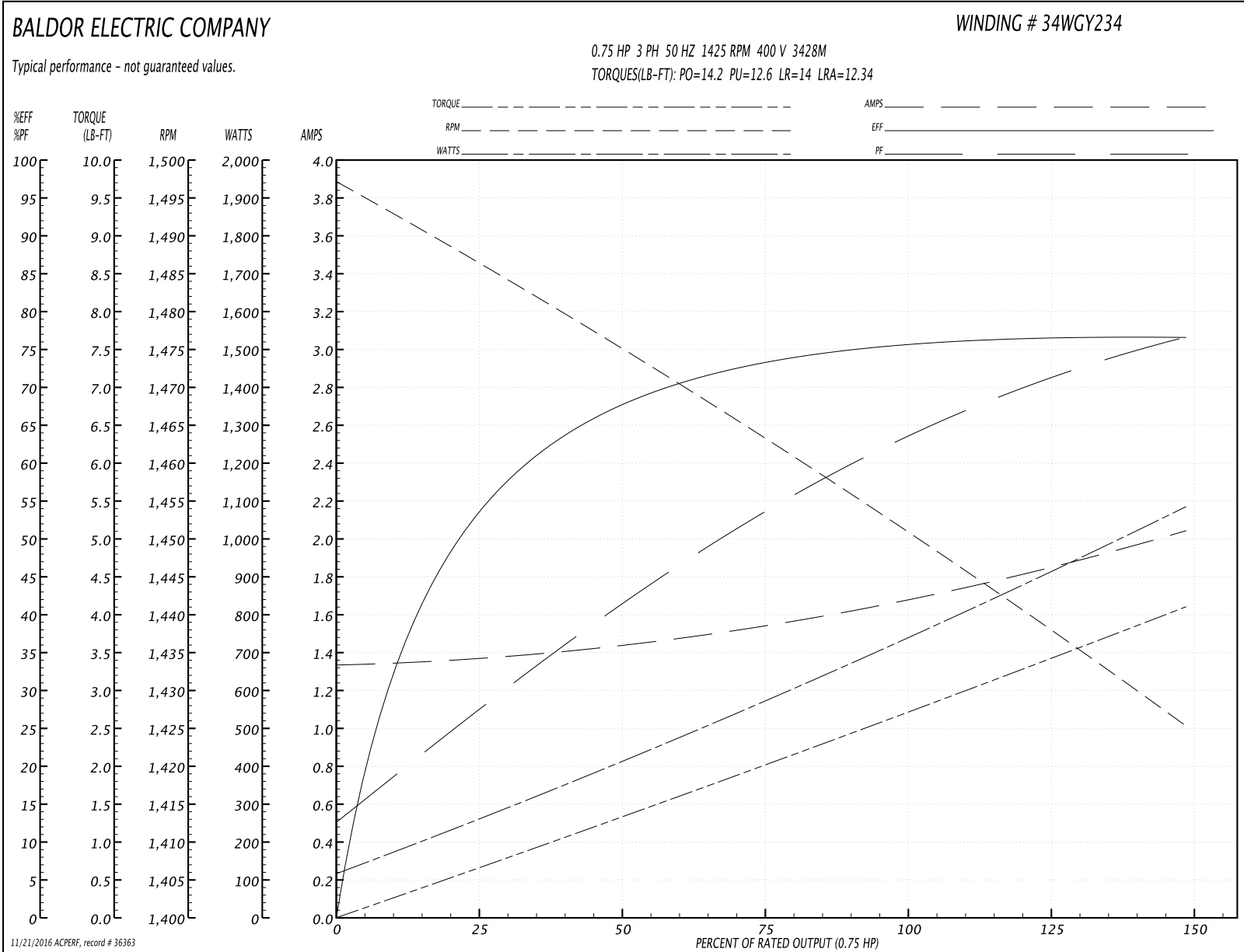
| | | |
|-------------------------------|--------------------|------------------------|
| Winding: 34WGY234-R002 | Type: 3428M | Enclosure: XPFC |
|-------------------------------|--------------------|------------------------|

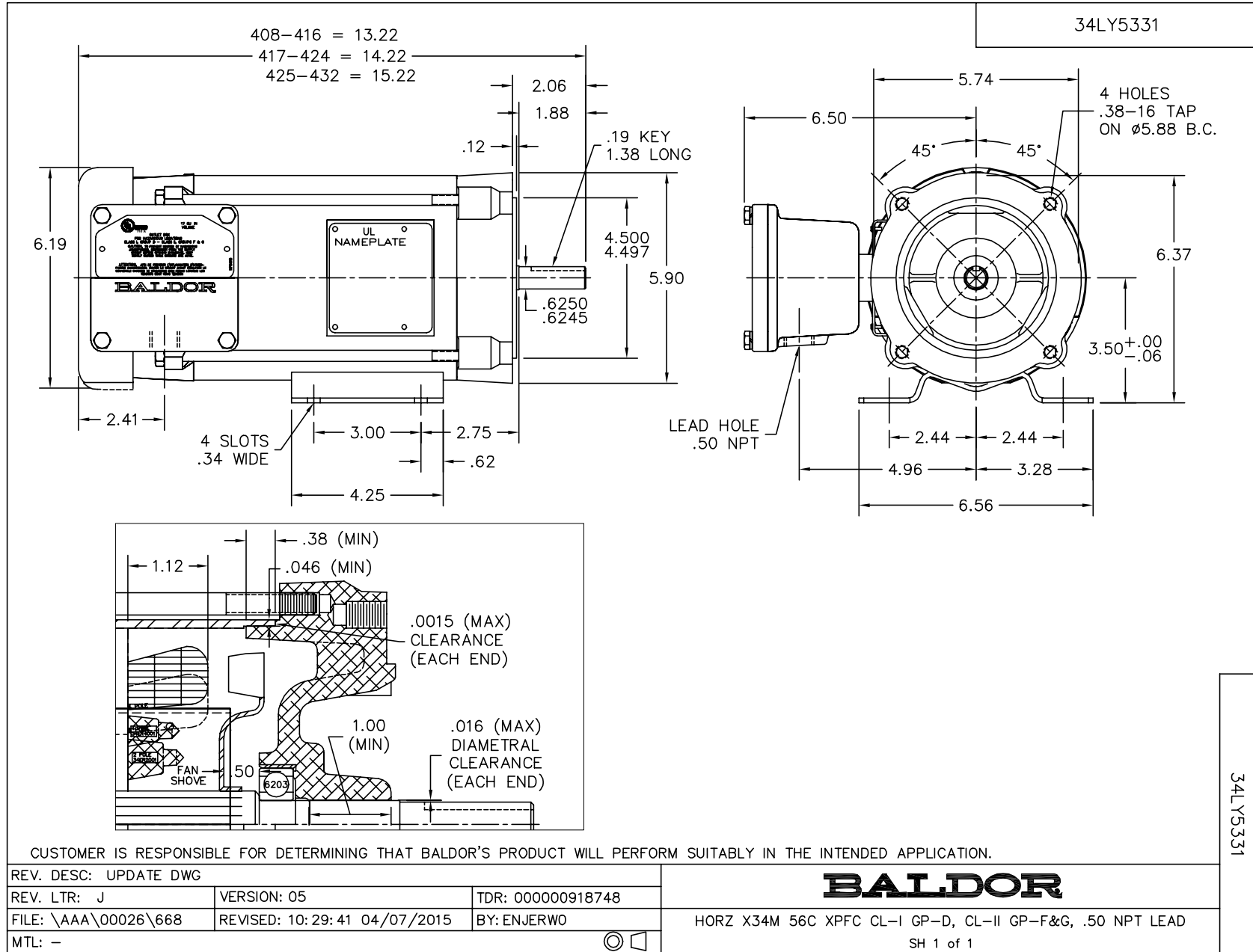
| Nameplate Data | | | | 400 V, 50 Hz: High Voltage Connection | |
|-----------------------|--------------|--------------|----|--|---------------------------|
| Rated Output (HP) | .75 | | | Full Load Torque | 2.74 LB-FT |
| Volts | 230/400 | | | Start Configuration | direct on line |
| Full Load Amps | 2.9/1.7 | | | Breakdown Torque | 14.2 LB-FT |
| R.P.M. | 1425 | | | Pull-up Torque | 12.6 LB-FT |
| Hz | 50 | Phase | 3 | Locked-rotor Torque | 14 LB-FT |
| NEMA Design Code | B | KVA Code | N | Starting Current | 12.34 A |
| Service Factor (S.F.) | 1 | | | No-load Current | 1.342 A |
| NEMA Nom. Eff. | 75.5 | Power Factor | 61 | Line-line Res. @ 25°C | 12.817 Ω |
| Rating - Duty | 40C AMB-CONT | | | Temp. Rise @ Rated Load | 57°C |
| | | | | Locked-rotor Power Factor | 59 |
| | | | | Rotor inertia | 0.0667 LB-FT ² |

Load Characteristics 400 V, 50 Hz, 0.75 HP

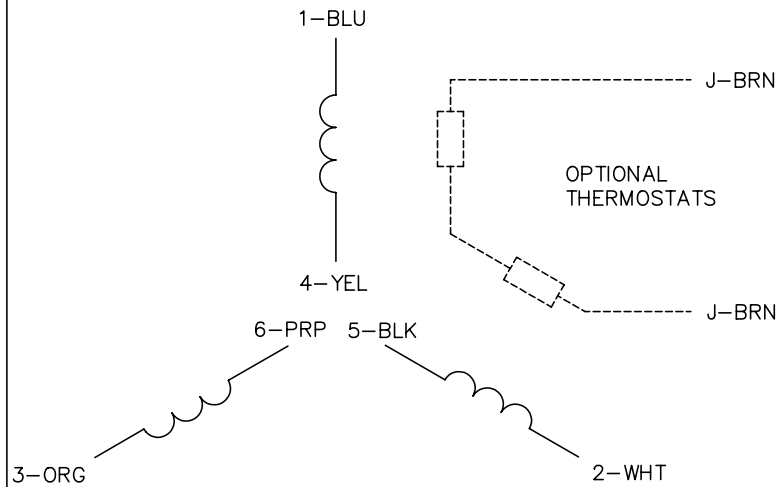
| % of Rated Load | 25 | 50 | 75 | 100 | 125 | 150 |
|-----------------|-------|-------|-------|-------|-------|-------|
| Power Factor | 27 | 41 | 52 | 61 | 69 | 74 |
| Efficiency | 54.2 | 68.1 | 73.5 | 75.9 | 76.4 | 76.6 |
| Speed | 1485 | 1474 | 1463 | 1450 | 1440 | 1424 |
| Line amperes | 1.358 | 1.442 | 1.548 | 1.701 | 1.838 | 2.046 |

Performance Graph at 400V, 50Hz, 0.75HP Typical performance - Not guaranteed values

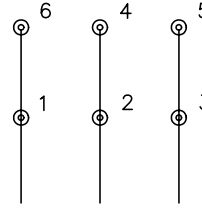




CD0022

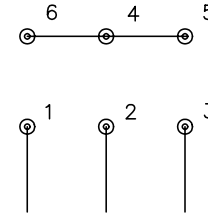


LOW VOLTAGE
(1D)



LINE

HIGH VOLTAGE
(1Y)



LINE

NOTES:

1. INTERCHANGE ANY TWO LINE LEADS TO REVERSE ROTATION.
2. OPTIONAL THERMOSTATS ARE PROVIDED WHEN SPECIFIED.
3. ACTUAL NUMBER OF INTERNAL PARALLEL CIRCUITS MAY BE A MULTIPLE OF THOSE SHOWN ABOVE.
4. LEAD COLORS ARE OPTIONAL. LEADS MUST ALWAYS BE NUMBERED AS SHOWN.

REV. DESC: REVISE TO SHOW OPTIONAL COLORS

REV. LTR: F

BY: JLP

REVISED: 01/21/99 3:54

TDR: 0171435

CD0022

FILE: AAA00005144

MDL: -

MTL: -

BALDOR ELECTRIC Co.

3PH, DV, 6 LEADS, DELTA/WYE CONNECTION

CD0022