

BALDOR® • **RELIANCE**

Product Information Packet

CTM1767T

60HP, 1775RPM, 3PH, 60HZ, 364T, TEFC, FOOT,

Part Detail							
Revision:	F	Status:	PRD/A	Change #:		Proprietary:	No
Type:	AC	Prod. Type:	A36052M	Elec. Spec:	A36WG0808	CD Diagram:	416820-007
Enclosure:	TEFC	Mfg Plant:		Mech. Spec:		Layout:	611740-501-SH1
Frame:	364T	Mounting:	F1	Poles:	04/08	Created Date:	10-19-2010
Base:		Rotation:	R	Insulation:	F	Eff. Date:	05-01-2012
Leads:	3#4,3#8					Replaced By:	
Literature:		Elec. Diagram:					

Nameplate NP2295L										
SPEC NO.	P36G6574			CAT.NO.	CTM1767T			FRAME	364T	
HP		RPM		VOLTS		AMPS		HZ		TYPE PM
	60	1775	460		69.6		60	SF 1.15		
	15	885	460		24.1		60		INSUL.CLASS F	
DRIVE END BEARING	65BC03JPP30A			DUTY	CONT		AMB	40		
OPP D.E. BEARING	65BC03JPP30A			ENCL	TEFC		DESIGN	B		
SER.NO.				CODE	H		PHASE	3		
HIGH SPEED EFF: NOM=93.0, GUAR=92.4										
COOLING TOWER; IP-55 CONSTR CAT:CTM1767T								MOTOR WEIGHT	836	

Parts List		
Part Number	Description	Quantity
SA207441	SA P36G6574	1.000 EA
RA194708	RA P36G6574	1.000 EA
NP2295L	BALDOR RELIANCE INDUSTRIAL MTR, SS, CSA	1.000 EA
000692000VD	LABEL WARNING	1.000 EA
004824015A	GREASE POLYREX EM	0.544 LB
032018008AK	HHCS 1/4-20X1 PLATED	4.000 EA
032018012DK	HHCS 1/2-13X1-1/2 PLTD.	4.000 EA
032018024CK	HHCS 3/8-16X3 PLTD.	3.000 EA
034180012DA	KEY 1X4X1/4X1-1/2 L	1.000 EA
034530052AB	P/NIP 1/8X6-1/2 GALV.	1.000 EA
034690002AB	"unbulked" PPLG 1/4" PLTD.	1.000 EA
078548001K	FAN KB 100/30 (70) 360	1.000 EA
078559001A	+FANCV - 360	1.000 EA
085922093AF	BRKT 360 085922072WCC	1.000 EA
415028001Y	SEAL - 360	1.000 EA
415045002E	SLGR	1.000 EA
415096002A	CPLG 1/8 HEX TYPE	1.000 EA
418151057A	PLASTIC DRAIN,ODE BRKT	1.000 EA
423709011C	WASHER	3.000 EA
415028001Y	SEAL - 360	1.000 EA
415045002E	SLGR	1.000 EA
415072001B	CLAMP	1.000 EA
415096002A	CPLG 1/8 HEX TYPE	1.000 EA
423709011C	WASHER	3.000 EA

Parts List (continued)		
Part Number	Description	Quantity
032018012DK	HHCS 1/2-13X1-1/2 PLTD.	4.000 EA
032018024CK	HHCS 3/8-16X3 PLTD.	3.000 EA
418151057A	PLASTIC DRAIN,ODE BRKT	1.000 EA
032018010CK	HHCS 3/8-16X1-1/4 PLTD.	4.000 EA
410700004F	WSHR	1.000 EA
034530020AB	P/NIP 1/8X2-1/2 PLTED	1.000 EA
034690002AB	"unbulked" PPLG 1/4" PLTD.	1.000 EA
085922093AF	BRKT 360 085922072WCC	1.000 EA
033512004LB	HHTTS 1/4-20X1/2 PLTD.	1.000 EA
033512008LB	HHTTS 1/4-20X1 PLATED	4.000 EA
034000014AB	WSH ID.406 OD.812 TH.065	4.000 EA
035000001A	ALFTG 1/8" 1610-BL	1.000 EA
035000001A	ALFTG 1/8" 1610-BL	1.000 EA
048977006C	GRFTG - XP	1.000 EA
065776000C	TERBD 320-400	1.000 EA
067053000B	GASK 320-400	1.000 EA
076708000BB	C/B - 360	1.000 EA
076709000A	C/B - 360	1.000 EA
406099000A	PLUG - FAN COVER 320-440	1.000 EA
415000103D	T/LUG #4AWG-1/0AWG W/HOLE FOR .250 BOLT	1.000 EA
418150003A	GREASE FITTING CAP	1.000 EA
MG1025G05	WILKOFAS, 789.227, MED. GRAY CHAR. MET.	0.250 GA
033775004EA	DRSCR #6-1/4 304 S.S.	4.000 EA
418150003A	GREASE FITTING CAP	1.000 EA

Product Information Packet: CTM1767T - 60HP,1775RPM,3PH,60HZ,364T,TEFC,FOOT,

048977006C	GRFTG - XP	1.000 EA
034180034HA	KEY 5/8X5/8X4-1/4 L	1.000 EA
421948040	MYLAR DIAG 2 SPEED 1 WDG	1.000 EA
14PA1000	PACKAGING 314 GROUP COMBINED PRINT	1.000 EA

REL. S.O.	FRAME	HP	TYPE	PHASE/HERTZ	RPM	VOLTS
	364T	60/15	PM	3/60	1775/885	460
AMPS	DUTY	AMB °C/ INSUL.	S.F.	NEMA DESIGN	CODE LETTER	ENCL.
69.6/24.1	CONT	40/F	1.15	B	H	TEFC
E/S	ROTOR	TEST S.O.	TEST DATE	STATOR RES. @25 °C (BETWEEN LINES)		
591538	418141-31-TE	---	---	.132/.529		

PERFORMANCE						
LOAD	HP	AMPERES	RPM	POWER FACTOR %	EFFICIENCY %	
NO LOAD	0 / 0	25.9 / 15.5	1800 / 900	5.73 / 4.11	0 / 0	
1/4	15.0 / 3.76	30.6 / 16.1	1795 / 897	51.4 / 26.1	89.6 / 83.6	
2/4	30.0 / 7.51	41.3 / 17.9	1789 / 894	73.0 / 44.1	93.0 / 89.1	
3/4	45.0 / 11.2	54.5 / 20.6	1784 / 891	82.7 / 56.7	93.6 / 90.1	
4/4	60.0 / 15.0	69.6 / 24.1	1777 / 888	86.6 / 65.0	93.3 / 89.8	
5/4	74.9 / 18.8	85.9 / 28.2	1771 / 884	88.2 / 70.0	92.6 / 89.0	

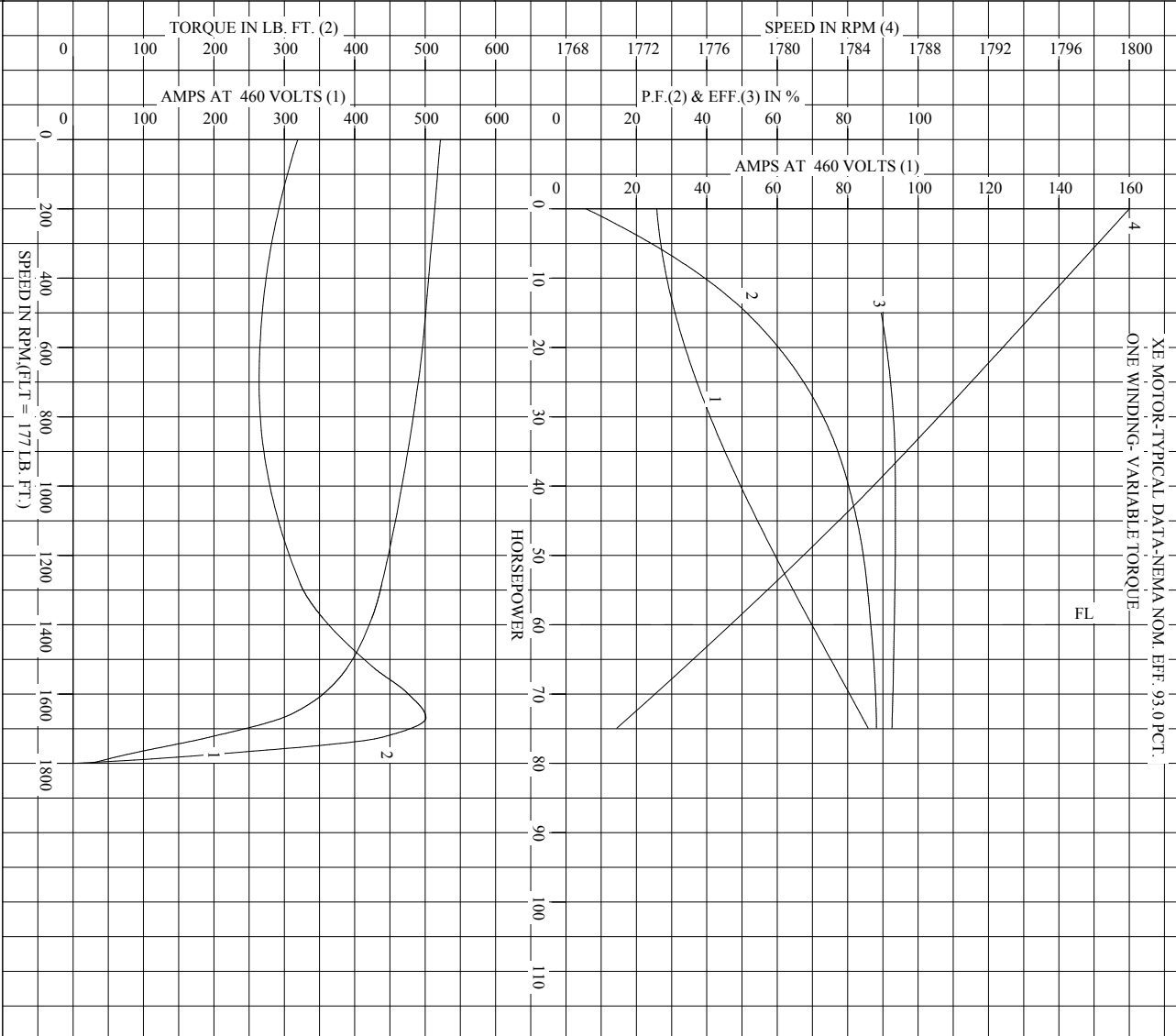
SPEED TORQUE					
	RPM	TORQUE % FULL LOAD	TORQUE LB.-FT.	AMPERES	
LOCKED ROTOR	0 / 0	180 / 149	319 / 132	522 / 115	
PULL UP	700 / 150	149 / 135	264 / 120	490 / 110	
BREAKDOWN	1668 / 840	283 / 215	501 / 190	298 / 69.0	
FULL LOAD	1777 / 888	100 / 100	177 / 88.7	69.6 / 24.1	

AMPERES SHOWN FOR 460. VOLT CONNECTION. IF OTHER VOLTAGE CONNECTIONS ARE AVAILABLE, THE AMPERES WILL VARY INVERSELY WITH THE RATED VOLTAGE

REMARKS: TYPICAL DATA
 XE MOTOR-TYPICAL DATA-NEMA NOM. EFF. 93.0 PCT.
 ONE WINDING- VARIABLE TORQUE

BALDOR	DR. BY J.J.HARRISON	A-C MOTOR
	CK. BY G.R.WEBB	
	APP. BY W.I.SMITH	PERFORMANCE DATA
	DATE 06/06/02	ISSUE DATE 01/07/11

REL. S.O. _____ RPM 1775/885 S.F. 1.15 ROTOR 418141-31-TE
 FRAME 364T VOLTS 460 NEMA DESIGN B TEST S.O. TYPICAL DATA
 HP 60/15 AMPS 69.6/24.1 CODE LETTER H TEST DATE ---
 TYPE PM DUTY CONT ENCLOSURE TEFC STATOR RES. @ 25 °C .132/.529
 PHASE/HERTZ 3/60 AMB °C/INSUL 40/F E/S 591538 OHMS (BETWEEN LINES)



AMPERS SHOWN FOR 460 VOLT CONNECTION, IF OTHER VOLTAGE CONNECTIONS ARE AVAILABLE, THE AMPERS WILL VARY INVERSELY WITH THE RATED VOLTAGE.

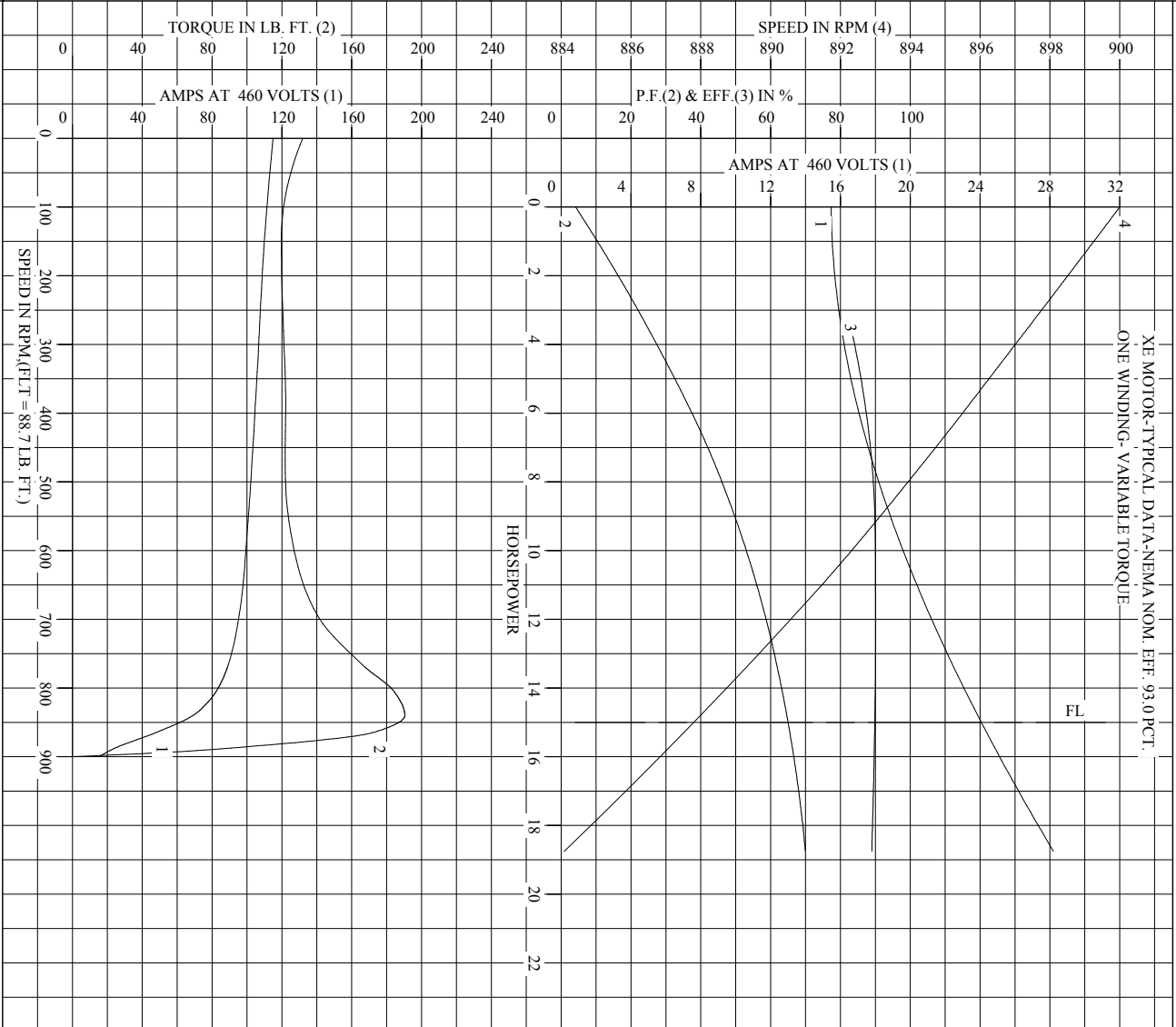


DR. BY J.HARRISON
 CK. BY G.R.WEBB
 APP. BY W.L.SMITH
 DATE 06/06/02

A-C MOTOR
PERFORMANCE
CURVES
 A36W/G0808-R001
 SH 1 OF 2
 ISSUE DATE 01/07/11

Printed on 1/7/11 11:11 @ psecs-motorengr

RFL S.O. _____ RPM 1775/885 S.F. 1.15 ROTOR 418141-31-TE
 FRAME 364T VOLTS 460 NEMA DESIGN B TEST S.O. TYPICAL DATA
 HP 60/15 AMPS 69.6/24.1 CODE LETTER H TEST DATE ---
 TYPE PM DUTY CONT ENCLOSURE TEFC STATOR RES. @ 25 °C .132/.529
 PHASE/HERTZ 3/60 AMB °C/INSUL 40/F E/S 591538 OHMS (BETWEEN LINES)



AMPERS SHOWN FOR 460 VOLT CONNECTION, IF OTHER VOLTAGE CONNECTIONS ARE AVAILABLE, THE AMPERS WILL VARY INVERSELY WITH THE RATED VOLTAGE.

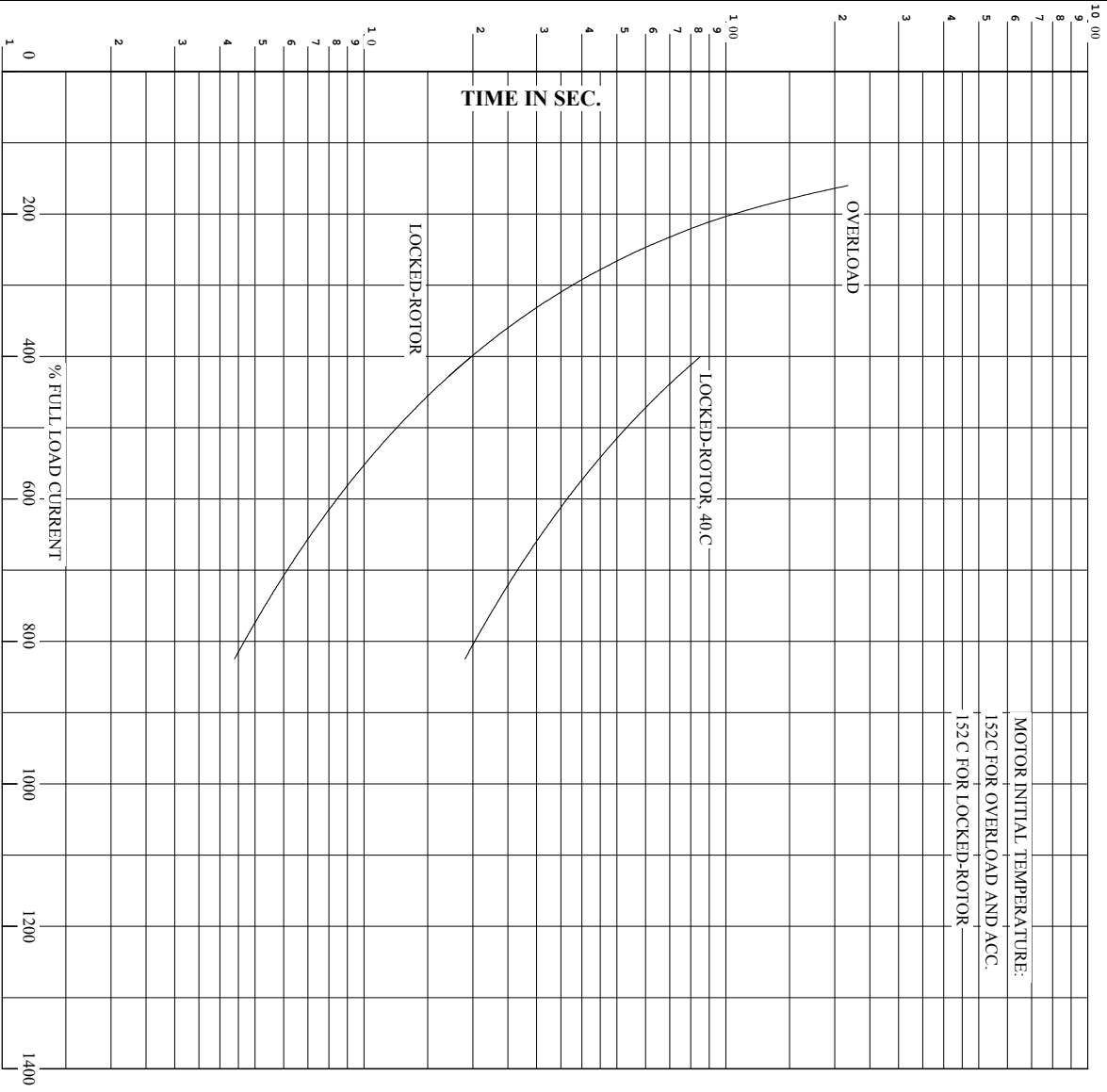
BALDOR

DR. BY J.J. HARRISON
 CK. BY G.R. WEBB
 APP. BY W.L. SMITH
 DATE 06/06/02

A-C MOTOR PERFORMANCE CURVES A36W/G0808-R001 SH 2 OF 2
 ISSUE DATE 01/07/11

Printed on 1/7/11 11:11 @ psecs-motorengr

RET. S.O. RPM 1775/885 S.F. 1.15 ROTOR 418141-31-TE
 FRAME 364T VOLTS 460 NEMA DESIGN B TEST S.O. TYPICAL DATA
 HP 60/15 AMPS 69.6/24.1 CODE LETTER H TEST DATE ---
 TYPE PM DUTY CONT ENCLOSURE TEFC STATOR RES. @ 25 C. 1.32/.529
 PHASE/HERTZ 3/60 AMB C/INSUL 40/F E/S 591538 OHMS (BETWEEN LINES)



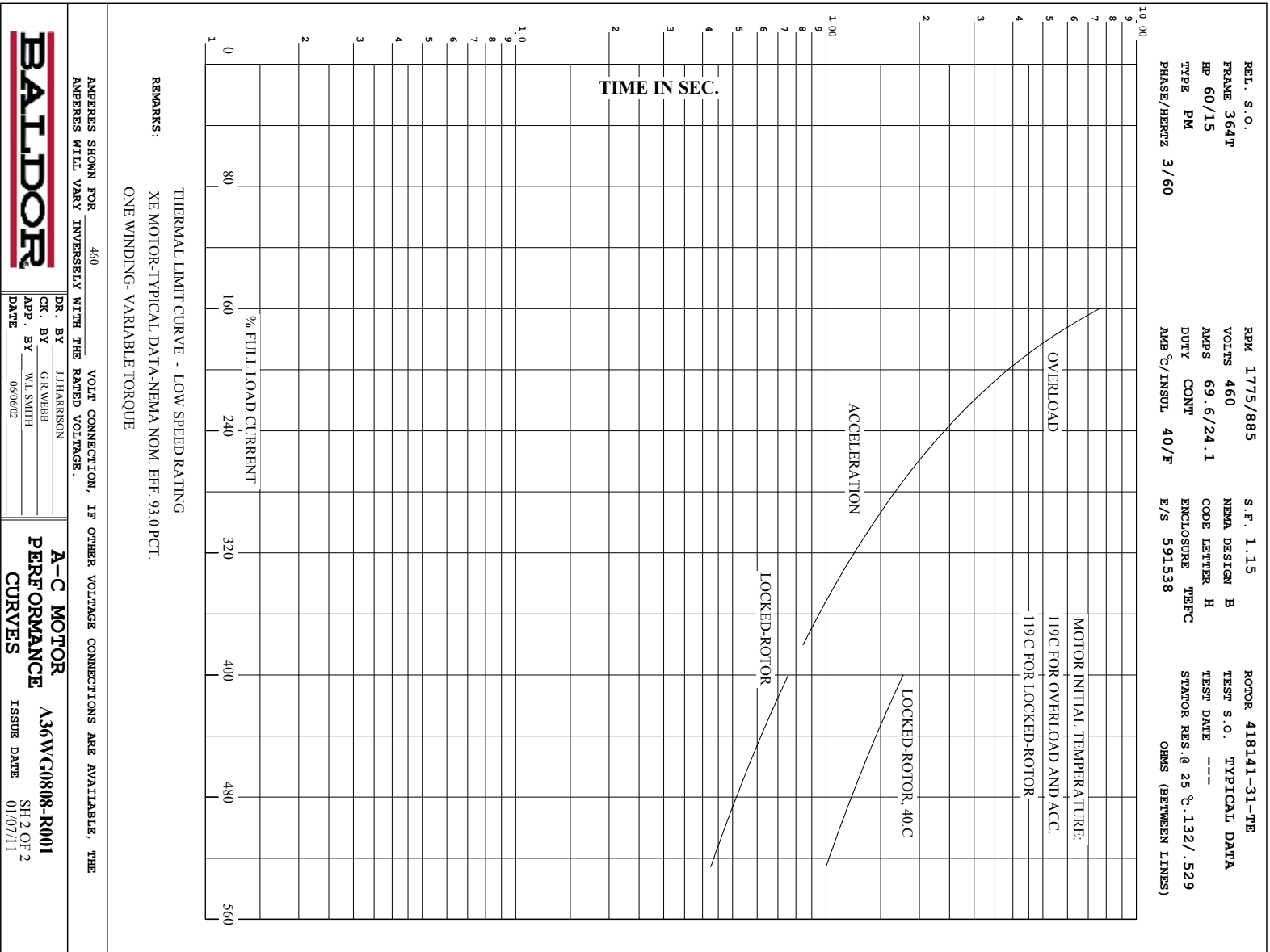
REMARKS: THERMAL LIMIT CURVE - HIGH SPEED RATING
 XE MOTOR-TYPICAL DATA-NEMA NOM. EFF. 93.0 PCT.
 ONE WINDING- VARIABLE TORQUE

AMPERES SHOWN FOR 460 VOLT CONNECTION, IF OTHER VOLTAGE CONNECTIONS ARE AVAILABLE, THE AMPERES WILL VARY INVERSELY WITH THE RATED VOLTAGE.



DR. BY J.HARRISON
 CK. BY G.R.WEBB
 App. BY W.L.SMITH
 DATE 06/06/02

A-C MOTOR
PERFORMANCE
CURVES
 A36WG0808-R001
 SH 1 OF 2
 ISSUE DATE 01/07/11



AMPERES SHOWN FOR 460 VOLT CONNECTION, IF OTHER VOLTAGE CONNECTIONS ARE AVAILABLE, THE AMPERES WILL VARY INVERSELY WITH THE RATED VOLTAGE.

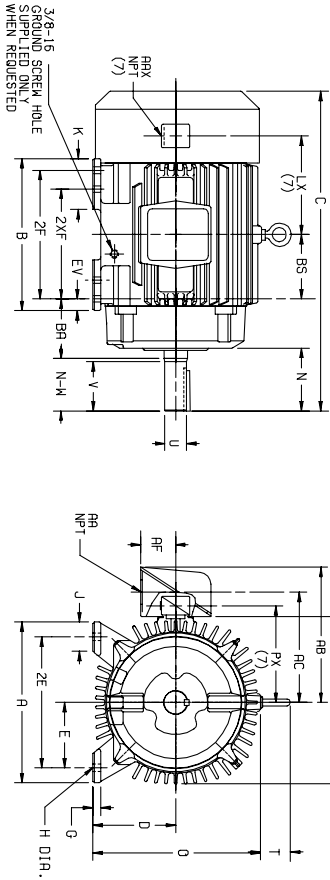
DR. BY J.HARRISON	A-C MOTOR
CK. BY G.R.WEBB	PERFORMANCE
APP. BY W.L.SMITH	CURVES
DATE 06/06/02	A36WG0808-R001
	ISSUE DATE 01/07/11

611740-501-SHI

DUTY MASTER ALTERNATING CURRENT MOTORS

ENCLOSURE: TOTALLY ENCLOSED
 MOUNTING: FOOT
 SQUIPREL-CAGE INDUCTION
 CAST IRON CONSTRUCTION
 COOLING: FAN COOLED

FRAMES 250T THRU 440T



DIMENSIONS ARE IN INCHES. SEE SHEET 2 FOR DIMENSIONS IN MILLIMETERS.

FRAME	A	D(2)	E	G	H	J	K	O	P	T	CAST IRON TERMINAL BOX	AA	AB	AC	AE	AF	AX	LX	LX	PX	PX	BA	EV
254T-256T	12.50	6.25	5.00	.75	.56	2.50	---	13.25	13.25	2.44	1-1/4	10.81	8.81	2.50	3/4	6.31	9.31	4.25	1.00				
284T-286T5	13.75	7.00	5.50	.75	.56	2.50	---	14.75	14.88	2.44	1-1/2	12.62	10.19	3.00	3/4	6.88	10.50	4.75	1.00				
324T-326T5	15.50	8.00	6.25	.88	.69	2.75	4.50	16.69	17.00	2.44	2	15.44	11.69	3.62	3/4	8.00	10.50	5.25	1.38				
364T-365T5	17.00	9.00	7.00	.88	.69	2.75	3.88	18.50	19.50	2.94	3	18.00	13.81	4.12	3/4	8.38	11.62	5.88	1.38				
404T-405T5	19.00	10.00	8.00	1.12	.81	3.25	4.82	21.31	22.50	2.94	3	19.25	15.06	4.12	3/4	9.62	14.44	6.62	1.13				
444T-445T5	21.00	11.00	9.00	1.12	.81	3.25	5.25	23.38	25.25	3.25	3	22.19	17.44	6.00	3/4	11.12	15.25	7.50	1.25				

FRAME	C	BS	B	ZF	(4)	N	N	SHAFT AND KEY	U(3)	V	SO.	LGTH.	WEIGHT
254T	24.56	5.00	12.00	---	8.25	4.12	4.00	1.625	3.75	3.75	2.88	3.35	335
284T	24.56	5.00	12.00	10.00	---	4.12	4.00	1.625	3.75	3.75	2.88	3.45	345
284T	27.44	5.50	13.00	---	9.50	5.00	4.62	1.875	4.38	5.00	3.25	4.75	475
284T5	28.06	5.50	13.00	---	9.50	3.62	3.25	1.625	3.00	3.75	1.88	4.75	475
286T5	27.44	5.50	13.00	11.00	---	5.00	4.62	1.875	4.38	5.00	3.25	4.90	490
286T5	28.06	5.50	13.00	11.00	---	3.62	3.25	1.625	3.00	3.75	1.88	4.90	490
324T	30.44	6.00	14.75	---	10.50	5.62	5.25	2.125	5.00	5.00	3.88	5.90	590
324T5	28.94	6.00	14.75	---	10.50	4.12	3.75	1.875	3.50	5.00	2.00	5.90	590
326T5	30.44	6.00	14.75	12.00	---	5.62	5.25	2.125	5.00	5.00	3.88	6.30	630
364T5	31.31	6.12	15.00	---	11.25	6.25	5.88	2.375	5.62	6.25	4.25	8.65	865
364T5	31.31	6.12	15.00	---	11.25	4.12	3.75	1.875	3.50	5.00	2.00	8.65	865
365T5	33.44	6.12	15.00	12.25	---	6.25	5.88	2.375	5.62	6.25	4.25	8.90	890
365T5	31.31	6.12	15.00	12.25	---	4.12	3.75	1.875	3.50	5.00	2.00	8.84	884
404T5	35.31	6.88	16.00	---	12.25	7.50	7.25	2.875	7.00	7.50	5.62	12.20	1220
404T5	35.31	6.88	16.00	---	12.25	4.50	4.25	2.125	4.00	5.00	2.75	12.11	1211
405T5	35.31	6.88	16.00	13.75	---	7.50	7.25	2.875	7.00	7.50	5.62	12.60	1260
405T5	35.31	6.88	16.00	13.75	---	4.50	4.25	2.125	4.00	5.00	2.75	12.51	1251
444T	44.62	8.25	19.00	---	14.50	8.94	8.50	3.375	8.25	8.75	6.88	16.70	1670
444T5	40.88	8.25	19.00	---	14.50	5.19	4.75	2.375	4.50	6.25	3.00	16.54	1654
445T	44.62	8.25	19.00	16.50	---	8.50	8.50	3.375	8.25	8.75	6.88	18.60	1860
445T5	40.88	8.25	19.00	16.50	---	5.19	4.75	2.375	4.50	6.25	3.00	18.44	1844

- (1) SPECIAL DIMENSIONS APPLYING TO THIS ORDER ON THIS LINE.
- (2) "C" VARIES $\begin{cases} 250T - 320T +1.00, -.03, \\ 360T - 440T +1.00, -.06, \\ HP TO 1.625 \text{ DIA.} +.0000, -.0005 \end{cases}$
- (3) "U" VARIES $\begin{cases} +.625 \text{ AND LARGER} +.000, -.001, \\ HP TO 1.625 \text{ DIA.} +.0000, -.0005 \end{cases}$
- (4) ALL FRAMES HAVE EIGHT MOUNTING HOLES FOR DUAL MOUNTING.
- (5) MOTOR WEIGHTS MAY VARY BY 15% DEPENDING UPON RATING.
- (6) "N-W" VARIES $+ .00, -.25$.
- (7) AUXILIARY CONDUIT BOX SUPPLIED WHEN SPECIFIED CONDUIT BOXES LOCATED ON OPPOSITE SIDE WHEN F-2-W-1, W-4-W-5-W-7, OR C-1 MOUNTING IS SPECIFIED. IF MOUNTING CLEARANCE DETAILS ARE REQUIRED, CONSULT FACTORY.

FRAME _____ TYPE _____ CERTIFIED FOR _____ RPM _____ PH _____ HZ _____ VOLTS _____
 ORDER # _____ ITEM # _____ HP _____ APPROVED BY _____ DATE _____
 SALES ORDER # _____

IHS-105-074119

CUSTOMER IS RESPONSIBLE FOR DETERMINING THAT MOTOR PERFORMANCE IS SUITABLE IN THE APPLICATION.

REV. DESC: REMOVING TITLEBLOCK	VERSION: 01	TDR: 000000448517
REV. LTR: A	REVISED: 14:06:59 11/07/2007	BY: CONBPM
FILE: \RAG\00004\525		
MTL: -		

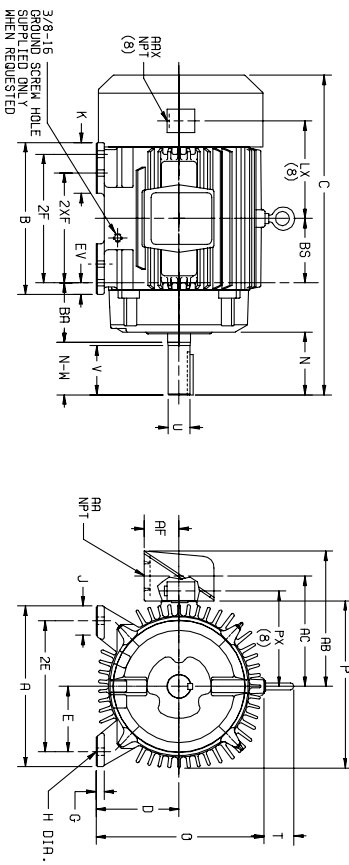
BALDOR • DODGE • RELIANCE

DIM SHT 250T-440T TEFC FT MTG STD T & TS SGL EXT XT

611740-501-SH2

DUTY MASTER ALTERNATING CURRENT MOTORS

ENCLOSURE: TOTALLY ENCLOSED
 SQUIRREL-CAGE INDUCTION
 CAST IRON CONSTRUCTION
 MOUNTING: FOOT
 FRAMES 250T THRU 440T
 COOLING: FAN COOLED



DIMENSIONS ARE IN MILLIMETERS. SEE SHEET 1 FOR DIMENSIONS IN INCHES.

FRAME	A	D(C)	E	G	H	J	K	O	P	T	CAST IRON TERMINAL BOX			(8) AUX. CONDUIT BOX					
											AA(7)	AB	AC	AF	AA(7)	AX(8)	BX(8)	BA	EV
254T-256T	317.5	158.8	127.0	19.0	14.2	63.5	--	336.5	336.5	62.0	1-1/4	27.6	22.3	63.5	3/4	160.3	236.5	108.0	25.4
284T-286T	349.2	177.8	139.7	19.0	14.2	63.5	--	374.6	378.0	62.0	1-1/2	320.5	258.8	76.2	3/4	174.8	266.7	120.7	25.4
324T-326T	393.7	203.2	158.8	22.4	17.5	69.9	14.3	423.9	431.8	62.0	2	392.2	296.9	91.9	3/4	203.2	266.7	133.3	35.1
364T-366T	431.8	228.6	177.8	22.4	17.5	69.9	14.3	469.9	495.3	74.7	3	457.2	350.8	104.6	3/4	212.9	295.1	149.4	35.1
404T-406T	482.6	254.0	203.2	28.4	20.6	82.5	17.3	541.1	571.5	74.7	3	488.9	382.5	104.6	3/4	244.3	366.8	188.1	28.7
444T-446T	533.4	279.4	228.6	28.4	20.6	82.5	13.3	593.9	641.3	82.5	3	563.6	443.0	152.4	3/4	282.4	387.3	190.5	31.7

FRAME	C	BS	B	ZF	(4) 2XF	N	(N-W)(6)	U(3)	V	SQ.	LGTH.	WEIGHT
SIZE												(3)
254T	623.8	127.0	304.8	---	209.6	104.6	101.6	41.27	95.3	9.52	73.2	151
256T	623.8	127.0	304.8	254.0	---	104.6	101.6	41.27	95.3	9.52	73.2	156
284T	697.0	139.7	330.2	---	241.3	127.0	117.3	47.63	111.3	12.70	82.5	215
284T	661.9	139.7	330.2	---	241.3	91.9	82.5	41.27	76.2	9.52	47.8	215
286T	697.0	139.7	330.2	279.4	---	127.0	117.3	47.63	111.3	12.70	82.5	222
286T	661.9	139.7	330.2	279.4	---	91.9	82.5	41.27	76.2	9.52	47.8	222
324T	773.2	152.4	374.6	---	266.7	142.7	133.3	53.97	127.0	12.70	98.6	267
324T	735.1	152.4	374.6	---	266.7	104.6	95.3	47.63	88.9	12.70	50.8	285
326T	773.2	152.4	374.6	304.8	---	104.6	95.3	53.97	127.0	12.70	98.6	285
326T	735.1	152.4	374.6	304.8	---	104.6	95.3	47.63	88.9	12.70	50.8	285
364T	849.4	155.4	381.0	---	285.7	158.8	149.4	60.33	142.7	15.88	108.0	392
364T	795.3	155.4	381.0	---	285.7	104.6	95.3	47.63	88.9	12.70	50.8	389
365T	849.4	155.4	381.0	311.1	---	158.8	149.4	60.33	142.7	15.88	108.0	403
365T	795.3	155.4	381.0	311.1	---	104.6	95.3	47.63	88.9	12.70	50.8	403
404T	973.1	174.8	406.4	---	311.1	190.5	184.1	73.02	177.8	19.05	142.7	553
404T	896.9	174.8	406.4	---	311.1	114.3	108.0	53.97	101.6	12.70	69.9	571
404T	896.9	174.8	406.4	349.2	---	190.5	184.1	73.02	177.8	19.05	142.7	571
405T	873.1	174.8	406.4	---	349.2	114.3	108.0	53.97	101.6	12.70	69.9	571
405T	896.9	174.8	406.4	---	349.2	190.5	184.1	73.02	177.8	19.05	142.7	571
444T	1133.3	209.6	482.6	---	368.3	227.1	215.9	85.72	209.6	22.22	174.8	757
444T	1035.4	209.6	482.6	---	368.3	151.8	120.7	60.33	114.3	15.88	76.2	790
445T	1133.3	209.6	482.6	419.1	---	227.1	215.9	85.72	209.6	22.22	174.8	843
445T	1035.4	209.6	482.6	419.1	---	151.8	120.7	60.33	114.3	15.88	76.2	836

- (1) SPECIAL DIMENSIONS APPLYING TO THIS ORDER ON THIS LINE.
 - (2) "D" VARIES — 250T — 320T + 0, — 8.
 360T — 440T + 0, — 1.5.
 - (3) "U" VARIES — UP TO 41.27 DIA. + 0.00, — 0.13
 41.27 AND LARGER + 0.0, — 0.3.
 - (4) ALL FRAMES HAVE EIGHT MOUNTING HOLES FOR DUAL MOUNTING.
 - (5) MOTOR WEIGHTS MAY VARY BY 15% DEPENDING UPON RATING.
 - (6) "N," "W" VARIES + 0, — 6.4.
 - (7) DIMENSIONS ARE IN INCHES.
 - (8) AUXILIARY CONDUIT BOX SUPPLIED WHEN SPECIFIED.
 CONDUIT BOXES LOCATED ON OPPOSITE SIDE WHEN F-2-W-1,
 W-4-W-5-W-7, OR C-1 MOUNTING IS SPECIFIED.
 - (9) IF MOUNTING CLEARANCE DETAILS ARE REQUIRED, CONSULT FACTORY.
- MAXIMUM PERMISSIBLE SHAFT RUNOUT WHEN MEASURED AT END OF STD. SHAFT EXTENSION IS .05 T.I.R. UP TO AND INCLUDING 41.27 DIA. AND .08 T.I.R. 41.27 DIA. TO 127 MILL.DIA.

FRAME _____ TYPE _____ CERTIFIED FOR _____
 ORDER _____ ITEM _____ HP _____ RPM _____ PH _____ HZ _____ VOLTS _____
 SALES ORDER _____ APPROVED BY _____ DATE _____

ZHS-105-0974119

CUSTOMER IS RESPONSIBLE FOR DETERMINING THAT MOTOR PERFORMANCE IS SUITABLE IN THE APPLICATION.

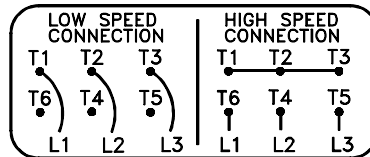
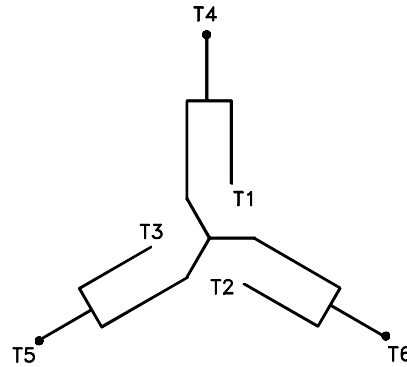
REV. DESC: REMOVING TITLEBLOCK	VERSION: 01	TDR: 000000448517
REV. LTR: A	REVISED: 14:09:46 11/07/2007	BY: CONBPM
FILE: \\RAC\00004\526		
MTL: -		

BALDOR • DODGE • RELIANCE

DIM SHT 250T-440T TEFC FT MTG STD T & TS SGL EXT XT

416820-007

A-C MOTOR
 CONNECTION DIAGRAM
 SINGLE WINDING MULTI-SPEEDS VARIABLE TORQUE



(N. P. 1634-DE)

416820-007

REV. DESC: LOADED TO BUS, C/R 335225		
REV. LTR: -	VERSION: 00	TDR: 000000538207
FILE: \MGA\00000\663	REVISED: 10:52:22 04/30/2010	
MTL: -	BY: RAGRA	

BALDOR

CONN DIAG - SINGLE WINDING - MULTI-SPEEDS - VARIABLE TORQUE

SH 1 of 1

Marketing maintained PDF of MN408:

<http://www.baldor.com/support/Literature/Load.ashx/MN408?ManNumber=MN408>

Marketing maintained PDF of MN416:

<http://www.baldor.com/support/Literature/Load.ashx/MN416?ManNumber=MN416>