

BALDOR® • **RELIANCE**

Product Information Packet

DEL3733TM

7.5HP,1725RPM,1PH,60HZ,215T,3750LC,TEFC

Part Detail							
Revision:	AV	Status:	PRD/A	Change #:		Proprietary:	No
Type:	AC	Prod. Type:	3750LC	Elec. Spec:	37WGW659	CD Diagram:	CD0152
Enclosure:	TEFC	Mfg Plant:		Mech. Spec:	37F364	Layout:	37LYF364
Frame:	215T	Mounting:	F1	Poles:	04	Created Date:	
Base:	RG	Rotation:	R	Insulation:	F	Eff. Date:	08-10-2016
Leads:	2#10 A PH,3#14 B&J					Replaced By:	
Literature:		Elec. Diagram:					

Nameplate NP1280L										
CAT.NO.	DEL3733TM									
SPEC.	37F364W659									
HP	7.5									
VOLTS	230									
AMP	28									
RPM	1725									
FRAME	215T			HZ	60		PH	1		
SER.F.	1.15		CODE	H	DES	L		CL	F	
NEMA-NOM-EFF	85		PF	98						
RATING	50C AMB-CONT									
CC							USABLE AT 208V			
DE	6307			ODE	6206					
ENCL	TEFC		SN							

Parts List		
Part Number	Description	Quantity
SA030871	SA 37F364W659	1.000 EA
RA026910	RA 37F364W659	1.000 EA
OC3050F09SP	CYL OIL CAP 50MFD/370V	2.000 EA
TPLED1011SP	THERMAL 1PH 1.5 MAN REF LED941 TDR #5817	1.000 EA
EC1216C06SP	ELEC CAP, 216-259 MFD, 250V, 2.06D X 4.	4.000 EA
TP5059	GENERIC THERMAL KIT	1.000 EA
HW3200A01	3/8-16X3/4 I-BLT WELDED F/S	1.000 EA
37CB3804A04	CAPAC BOX MACH	1.000 EA
37CB2804	ADAPTER, 37 KO BOX (SHOE BOX)	2.000 EA
37GS1017	GASKET - CONDUCT BOX .06 THK NEOPRENE	4.000 EA
19XW2520A16	SCREW,1/4-20X1 TAPTITE-II OR ROLOC 91	4.000 EA
37CB4509	CAPAC BOX LID, STAMPED	1.000 EA
37GS3016	GASKET, CAPAC BOX LID	1.000 EA
51XW0832A07	8-32 X .44, TAPTITE II, HEX WSHR SLTD SE	6.000 EA
HA6003A47	CAPAC CLAMP	1.000 EA
HA6003A45	CAPAC CLAMP - CLIP (WHITE ZINC PLATED)	2.000 EA
51XB1016A07	10-16 X 7/16 HXWSSLD SERTYB	4.000 EA
HA2001A09	SPACER, .218 ID X .937 LG	2.000 EA
RM1015	BOOT FOR MANUAL THERMALS	1.000 EA
51XN1032A28	10-32 X 1 3/4 HX WS SL SR	2.000 EA
XY1032A02	10-32 HEX NUT DIRECTIONAL SERRATION	2.000 EA
11XW1032G06	10-32 X .38, TAPTITE II, HEX WSHR SLTD U	1.000 EA
HW3001B01	BRASS CUP WASHER, FOR #8 SCREW	1.000 EA
37EP3101C04	FREP,TEFC, 37 L&M, W/GREASER SP5067	1.000 EA

Parts List (continued)		
Part Number	Description	Quantity
HW4500A01	1641B(ALEMITE)400 UNIV, GREASE FITT	1.000 EA
13XF0832A08	8-32 X.50 PAN HD,SLTD, TYPE F SCREW, ZIN	2.000 EA
HW5100A06	W2420-025 WVY WSHR (WB)	1.000 EA
37EP3100B19	FR/PU ENDPLATE, MACH	1.000 EA
HW4500A01	1641B(ALEMITE)400 UNIV, GREASE FITT	1.000 EA
XY3118A12	5/16-18 HEX NUT DIRECTIONAL SERRATION	4.000 EA
36FN3004A02	EXFN XP PULLEY, ALUM, 7.38 OD, 1.379 ID	1.000 EA
80XN2520A06	1/4-20 X 3/8 SET SCREW	2.000 EA
37FN3002A01SP	EXFN, PLASTIC, 9.00 OD, 1.155 ID	1.000 EA
51XB1214A20	12-14X1.25 HXWSSLD SERTYB	1.000 EA
07FH4007A06	IEC FH W/GRS, NOT @6, 3 F/C HOL & NOT FO	1.000 EA
51XW1032A06	10-32 X .38, TAPTITE II, HEX WSHR SLTD S	3.000 EA
37FH4001A02	FAN COVER 37 FR.END W/GREASER	1.000 EA
51XW1032A06	10-32 X .38, TAPTITE II, HEX WSHR SLTD S	3.000 EA
HW2501F21	KEY, 5/16 SQ X 2.375	1.000 EA
HA7000A02	KEY RETAINER RING, 1 1/8 DIA, 1 3/8 DIA	1.000 EA
85XU0407S04	4X1/4 U DRIVE PIN STAINLESS	2.000 EA
LB1115N	LABEL,LIFTING DEVICE (ON ROLLS)	1.000 EA
MJ1000A02	GREASE, POLYREX EM EXXON (USe 4824-15A)	0.050 LB
SP5067A08	MODEL 37 HIGH CURRENT SWITCH LEAD CONFIG	1.000 EA
WD1000A03	41531 AMP FLG.TERM,4M/REEL(2.5MIL)	12.000 EA
LD5000A24	LEAD ASSY, ML1400DF10 W/#10 RING 12"	1.000 EA
NS2500A02	INSULATOR, MAN THER PROT	1.000 EA
HA3104A24	THRUBOLT- 5/16-18 X14.375 X	4.000 EA

Product Information Packet: DEL3733TM - 7.5HP,1725RPM,1PH,60HZ,215T,3750LC,TEFC

MG1025C02	WILKOFAST SG, 787.105, TAN	0.028 GA
LB1119N	WARNING LABEL	1.000 EA
LB1087	LABEL,MANUAL RESET (ROLL LABEL)	1.000 EA
LC0002	CONNECTION LABEL	1.000 EA
NP1280L	ALUM FARM DUTY UL CSA CC THERMAL	1.000 EA
37PA1039	PALLET PACK GRP, PRINT PK1026A06	1.000 EA
MN416A01	TAG-INSTAL-MAINT no wire (1200/bx) 11/14	1.000 EA

AC Induction Motor Performance Data

Record # 11898 - Typical performance - not guaranteed values

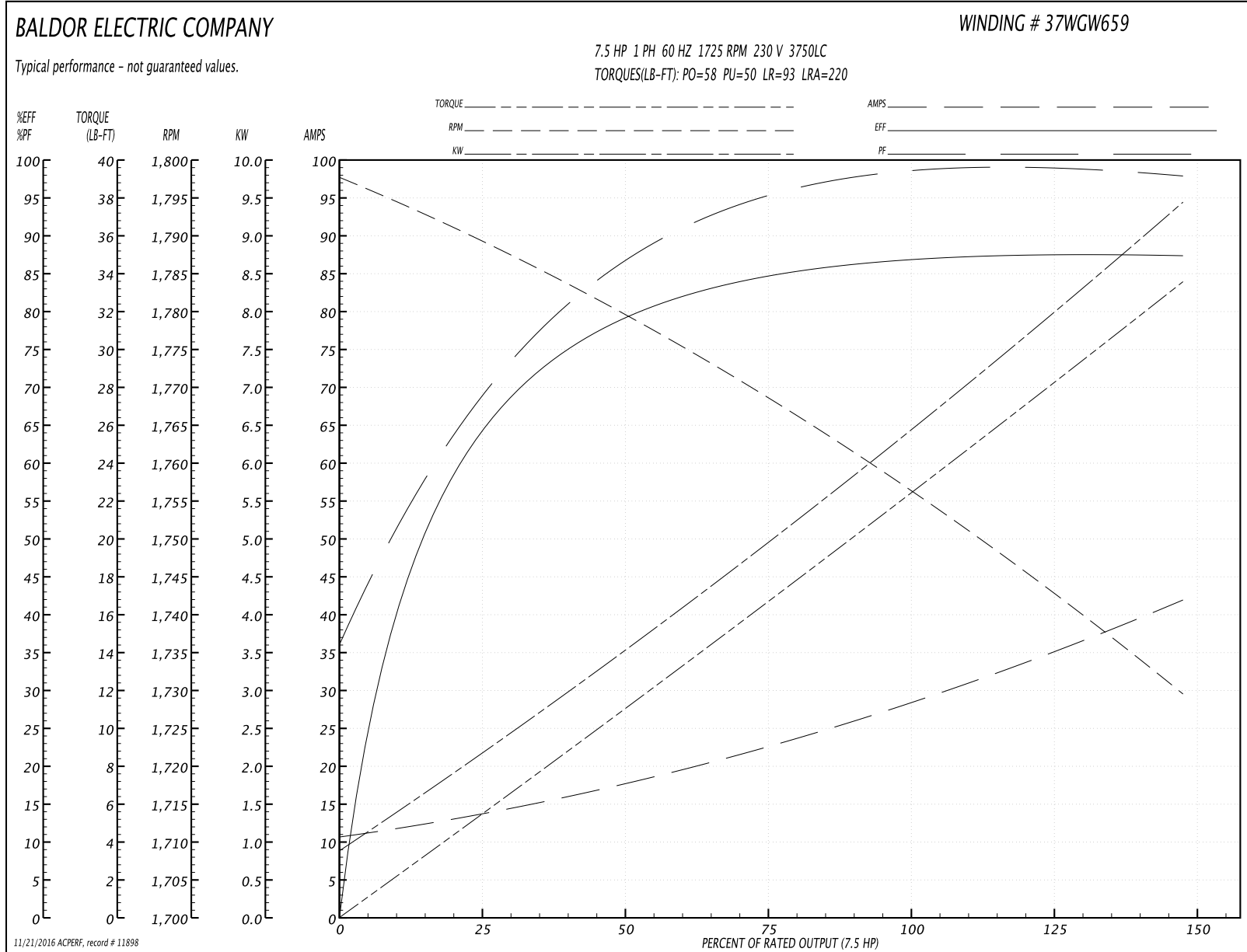
Winding: 37WGW659-R001	Type: 3750LC	Enclosure: TEFC
-------------------------------	---------------------	------------------------

Nameplate Data				230 V, 60 Hz: Single Voltage Motor	
Rated Output (HP)	7.5			Full Load Torque	22.4 LB-FT
Volts	230			Start Configuration	direct on line
Full Load Amps	28			Breakdown Torque	58 LB-FT
R.P.M.	1725			Pull-up Torque	50 LB-FT
Hz	60	Phase	1	Locked-rotor Torque	93 LB-FT
NEMA Design Code	L	KVA Code	H	Starting Current	220 A
Service Factor (S.F.)	1.15			No-load Current	10.8 A
NEMA Nom. Eff.	85	Power Factor	98	Line-line Res. @ 25°C	0.271 Ω A Ph 0.579 Ω B Ph
Rating - Duty	50C AMB-CONT			Temp. Rise @ Rated Load	72°C
S.F. Amps				Temp. Rise @ S.F. Load	88°C

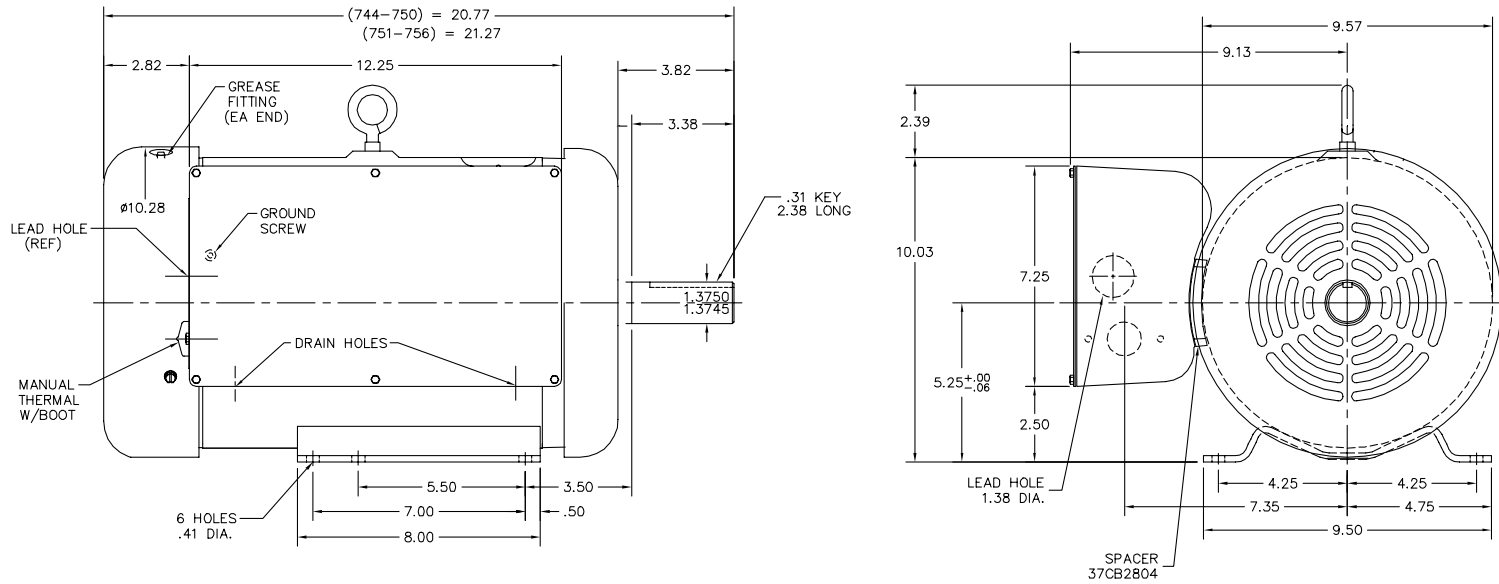
Load Characteristics 230 V, 60 Hz, 7.5 HP

% of Rated Load	25	50	75	100	125	150	S.F.
Power Factor	70	87	95	98	99	99	0
Efficiency	64.3	79	84.7	87.1	87.7	87.2	0
Speed	1789	1779	1768	1757	1744	1729	0
Line amperes	13.6	17.7	22.8	28.5	34.8	41.9	32.3

Performance Graph at 230V, 60Hz, 7.5HP Typical performance - Not guaranteed values



37LYF364

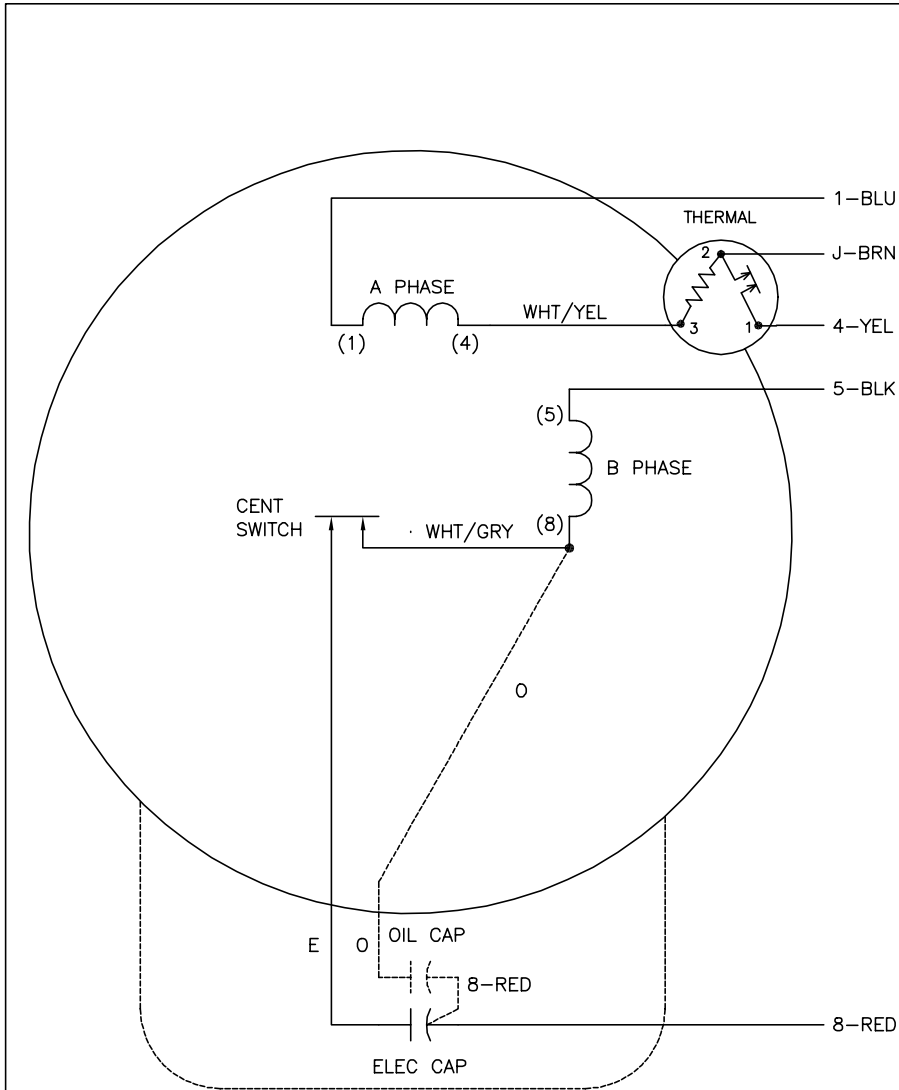


37LYF364

CUSTOMER IS RESPONSIBLE FOR DETERMINING THAT BALDOR'S PRODUCT WILL PERFORM SUITABLY IN THE INTENDED APPLICATION.

REV. DESC: 36FN3004A02 REPLACED 36FN2003A02			BALDOR	
REV. LTR: M	VERSION: 04	TDR: 000000958560	HORZ 213-5T TEFC 37LC,DUAL EXT FAN,FARM DUTY W/LE MTO,SP5067 SH 1 of 1	
FILE: \AAA\00003\105	REVISED: 02:35:41 01/05/2016	BY: ENKANVO		
MTL: -				

CD0152



	LINE A	LINE B	JOIN
STD	1,8	4	J,5
OPP	1,5	4	J,8

- NOTES:
1. STANDARD ROTATION IS CCW FACING END OPPOSITE SHAFT EXTENSION.
 2. MULTIPLE CAPACITORS ARE CONNECTED IN PARALLEL UNLESS OTHERWISE SPECIFIED.
 3. OPTIONAL OIL CAPACITOR IS PROVIDED WHEN SPECIFIED.
 4. CAPACITORS MAY BE SEPERATELY MOUNTED.
 5. LEAD COLORS ARE OPTIONAL. LEADS MUST ALWAYS BE NUMBERED AS SHOWN.

REV. DESC: REMOVE OPTIONAL THERMAL CONNECTION		
REV. LTR: D	VERSION: 01	TDR: 000000373039
ZS1000	FILE: \AAA\00026\903	REVISED: 11:23:45 08/11/2005
	MTL: -	BY: ENJOEPO

BALDOR ELECTRIC Co.

TYPE L OR LC, SV, REV, 5 LDS, THERM, CAPS MAY BE SEP MTD

CD0152