

# **BALDOR**® • *RELIANCE*

## Product Information Packet

# ECP4404T-4

75HP, 1185RPM, 3PH, 60HZ, 405T, A4072M, TEFC, F

| Part Detail |      |                |         |             |           |               |            |
|-------------|------|----------------|---------|-------------|-----------|---------------|------------|
| Revision:   | L    | Status:        | PRD/A   | Change #:   |           | Proprietary:  | No         |
| Type:       | AC   | Prod. Type:    | A40064M | Elec. Spec: | A40WG0769 | CD Diagram:   | 416820-036 |
| Enclosure:  | TEFC | Mfg Plant:     |         | Mech. Spec: |           | Layout:       | 617429-501 |
| Frame:      | 405T | Mounting:      | F1      | Poles:      | 06        | Created Date: | 07-15-2013 |
| Base:       |      | Rotation:      | R       | Insulation: | B         | Eff. Date:    | 01-18-2017 |
| Leads:      | 3#2  |                |         |             |           | Replaced By:  |            |
| Literature: |      | Elec. Diagram: |         |             |           |               |            |

| Nameplate NP3238   |            |                 |          |               |       |                       |      |                     |      |
|--------------------|------------|-----------------|----------|---------------|-------|-----------------------|------|---------------------|------|
| CAT NO             | ECP4404T-4 | SPEC NO.        | P40G3910 |               |       |                       |      |                     |      |
| HP                 | 75         | AMPS            | 86.9     | VOLTS         | 460   | DESIGN                | B    |                     |      |
| FRAME              | 405T       | RPM             | 1185     | HZ            | 60    | AMB                   | 40   | SF                  | 1.15 |
| D.E. BRG.DATA      | 6316       | O.D.E. BRG.DATA | 6316     | PH            | 3     | DUTY                  | CONT | INSUL.CLASS         | F    |
| D.E. BRG.          | 80BC03J30X | TYPE            | P        | ENCL          | TEFC  | CODE                  | G    | NEMA NOM EFFICIENCY | 95   |
| O.D.E. BRG.        | 80BC03J30X | POWER FACTOR    | 85       | MAX CORR KVAR | 16.00 | GUARANTEED EFFICIENCY | 94.1 |                     |      |
| 3/4 LOAD EFF.      | 94.9       | TEMP CODE       | T3       | TEMP          | = 200 |                       |      |                     |      |
| CHP HZ             | 60-90      | CT HZ           | 10-60    | VT HZ         | 0-60  |                       |      |                     |      |
| INVERTER-TEMP-CODE | T3         |                 |          |               |       |                       |      |                     |      |
| SER.NO.            |            | MOTOR WEIGHT    | 1326     |               |       |                       |      |                     |      |

| Parts List  |  |          |
|-------------|--|----------|
| Part Number | Description                              | Quantity |
| SA267701    | SA P40G3910                              | 1.000 EA |
| RA254371    | RA P40G3910                              | 1.000 EA |
| 000692000VD | LABEL WARNING                            | 1.000 EA |
| NP3238      | SS CP XEX SEVERE DUTY MAIN NP            | 1.000 EA |
| 000692000FF | N/P                                      | 1.000 EA |
| 004824015A  | GREASE POLYREX EM                        | 0.884 LB |
| 032018008CK | HHCS 3/8-16X1L PLATED                    | 4.000 EA |
| 032018020EK | HHCS 5/8-11X2-1/2 PLTD.                  | 4.000 EA |
| 032018024CK | HHCS 3/8-16X3 PLTD.                      | 3.000 EA |
| 034000014AB | WSH ID.406 OD.812 TH.065                 | 4.000 EA |
| 034180008DA | KEY 1/4X1/4X1 L (shipping)               | 1.000 EA |
| 034530052AB | P/NIP 1/8X6-1/2 GALV.                    | 1.000 EA |
| 034530056BB | P/NIP 1/4X7 SCHED 40                     | 1.000 EA |
| 034631002AB | BUSH 1/4 TO 1/8 PLTD.                    | 1.000 EA |
| 078550001H  | FAN KB 120/60 360                        | 1.000 EA |
| 083198101A  | G400 STD FAN COVER MACHINING             | 1.000 EA |
| 034692005AA | P PLUG 3/4"BLK.                          | 1.000 EA |
| 089412501A  | BRKT FTMT G400 FIN MACH 6316 89412500WCA | 1.000 EA |
| 410700000DA | WAVY SPRING WASHER                       | 1.000 EA |
| 415045002B  | SLGR                                     | 1.000 EA |
| 415072001B  | CLAMP                                    | 1.000 EA |
| 415096002A  | CPLG 1/8 HEX TYPE                        | 1.000 EA |
| 412118006A  | DRAIN                                    | 1.000 EA |
| 032018020EK | HHCS 5/8-11X2-1/2 PLTD.                  | 4.000 EA |

| Parts List (continued) |  |          |
|------------------------|--|----------|
| Part Number            | Description                              | Quantity |
| 032018024CK            | HHCS 3/8-16X3 PLTD.                      | 3.000 EA |
| 034530040AB            | P/NIP 1/8X5 GALV.                        | 1.000 EA |
| 034530040BB            | P/NIP 1/4X5                              | 1.000 EA |
| 034631002AB            | BUSH 1/4 TO 1/8 PLTD.                    | 1.000 EA |
| 089412501A             | BRKT FTMT G400 FIN MACH 6316 89412500WCA | 1.000 EA |
| 415045002B             | SLGR                                     | 1.000 EA |
| 415096002A             | CPLG 1/8 HEX TYPE                        | 1.000 EA |
| 412118006A             | DRAIN                                    | 1.000 EA |
| 032018010CK            | HHCS 3/8-16X1-1/4 PLTD.                  | 4.000 EA |
| 033512008LB            | HHTTS 1/4-20X1 PLATED                    | 4.000 EA |
| 034000014AB            | WSH ID.406 OD.812 TH.065                 | 4.000 EA |
| 035000001A             | ALFTG 1/8" 1610-BL                       | 1.000 EA |
| 035000001A             | ALFTG 1/8" 1610-BL                       | 1.000 EA |
| 065776000C             | TERBD 320-400                            | 1.000 EA |
| 067053000B             | GASK 320-400                             | 1.000 EA |
| 076708000BB            | C/B - 360                                | 1.000 EA |
| 076709000A             | C/B - 360                                | 1.000 EA |
| 406099000A             | PLUG - FAN COVER 320-440                 | 1.000 EA |
| 415000103H             | TERMINAL LUG                             | 1.000 EA |
| 418150003A             | GREASE FITTING CAP                       | 1.000 EA |
| 418150003A             | GREASE FITTING CAP                       | 1.000 EA |
| 033775004EA            | DRSCR #6-1/4 304 S.S.                    | 4.000 EA |
| 034180044JA            | KEY 3/4X3/4X5-1/2 L                      | 1.000 EA |
| MG1025N19              | WILKO 778.50 BLUE GREEN - 55 GAL DRUMS   | 0.375 GA |

Product Information Packet: ECP4404T-4 - 75HP,1185RPM,3PH,60HZ,405T,A4072M,TEFC,F

|              |                                       |          |
|--------------|---------------------------------------|----------|
| 004824003CBY | WILKO PAINT 060.02 - ACTIVATOR        | 0.063 GA |
| 421948051    | LABEL, MYLAR                          | 1.000 EA |
| PK5004A02    | WOOD BASE 40X32 STACK 2X4 RUNNER      | 1.000 EA |
| 000613006PU  | N/P (RELEASE QTY 10,000) UL CSA LABLE | 1.000 EA |
| LB1449       | DIV-2/NEC WARNING LABEL               | 1.000 EA |
| 035000001G   | GREASE RELIEF FITTING, ALEMITE 317400 | 1.000 EA |
| 035000001G   | GREASE RELIEF FITTING, ALEMITE 317400 | 1.000 EA |
| 032018005DL  | 1/2-13 X 5/8 SILICON BRONZE HHCS      | 1.000 EA |

|           |              |               |           |   |             |       |
|-----------|--------------|---------------|-----------|---|-------------|-------|
| REL. S.O. | FRAME        | HP            | TYPE      | PHASE/HERTZ                               | RPM         | VOLTS |
|           | 405T         | 75            | P         | 3/60                                      | 1185        | 460   |
| AMPS      | DUTY         | AMB °C/INSUL. | S.F.      | NEMA DESIGN                               | CODE LETTER | ENCL. |
| 86.9      | CONT         | 40/F          | 1.15      | B   | G           | TEFC  |
| E/S       | ROTOR        | TEST S.O.     | TEST DATE | STATOR RES. @25 °C (OHMS (BETWEEN LINES)) |             |       |
| 496233    | 418142-71-EE | ---           | ---       | .0860                                     |             |       |

PERFORMANCE

| LOAD         | HP   | AMPERES | RPM                | POWER FACTOR % | EFFICIENCY % |
|--------------|------|---------|--------------------|----------------|--------------|
| NO LOAD      | 0    | 31.0    | 1200               | 4.11           | 0            |
| 1/4          | 18.8 | 37.2    | 1197               | 51.1           | 92.5         |
| 2/4          | 37.5 | 50.7    | 1194               | 72.9           | 95.0         |
| 3/4          | 56.2 | 67.7    | 1190               | 81.6           | 95.3         |
| 4/4          | 75.0 | 86.9    | 1187               | 85.0           | 95.0         |
| 5/4          | 93.8 | 108     | 1183               | 86.2           | 94.4         |
| SPEED TORQUE |      |         |                    |                |              |
|              |      | RPM     | TORQUE % FULL LOAD | TORQUE LB.-FT. | AMPERES      |
| LOCKED ROTOR |      | 0       | 165                | 549            | 541          |
| PULL UP      |      | 400     | 156                | 519            | 509          |
| BREAKDOWN    |      | 1132    | 243                | 808            | 302          |
| FULL LOAD    |      | 1187    | 100                | 332            | 86.9         |

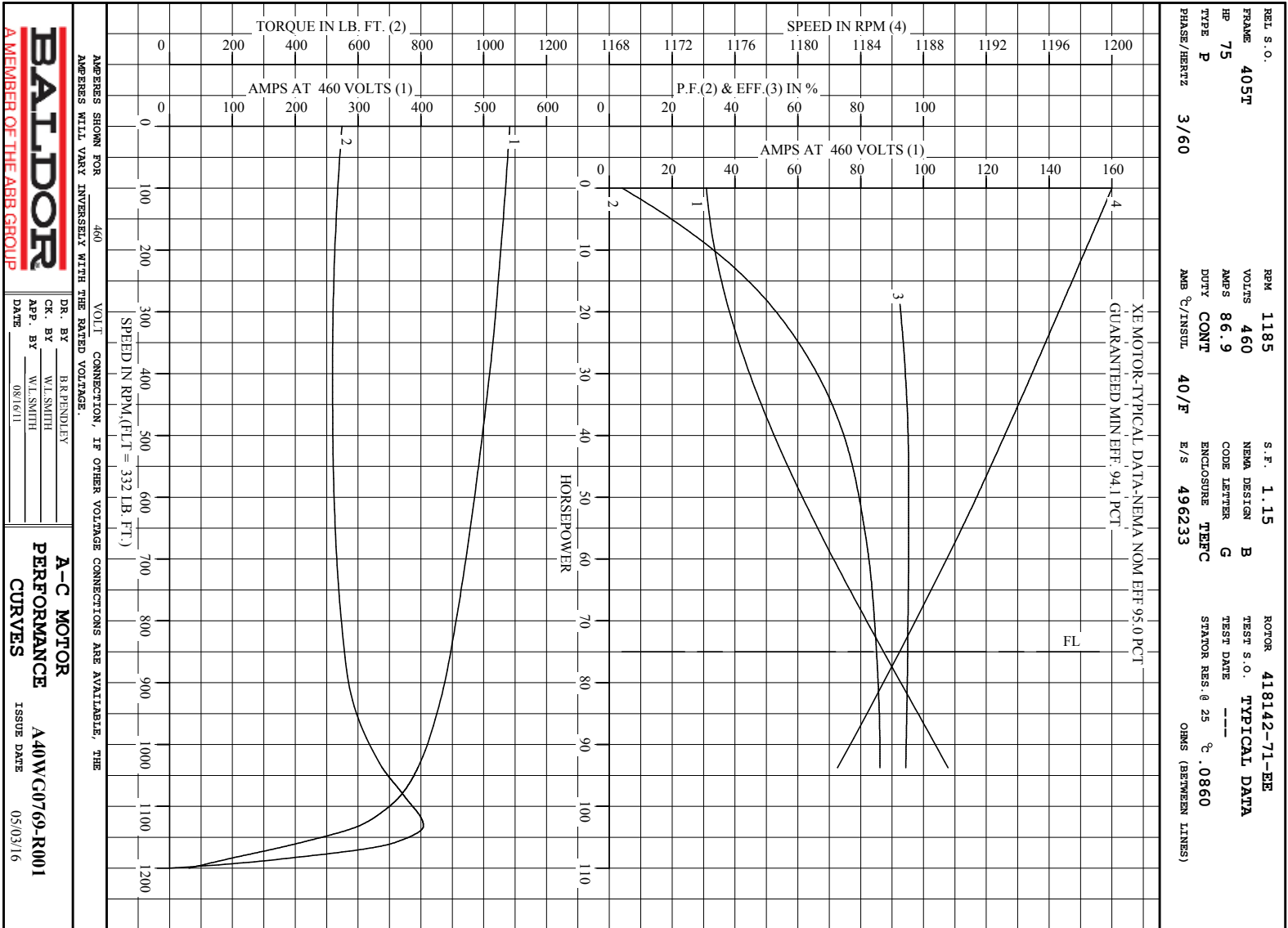
AMPERES SHOWN FOR 460. VOLT CONNECTION. IF OTHER VOLTAGE CONNECTIONS ARE AVAILABLE, THE AMPERES WILL VARY INVERSELY WITH THE RATED VOLTAGE

REMARKS: TYPICAL DATA  
 XE MOTOR-TYPICAL DATA-NEMA NOM EFF 95.0 PCT  
 GUARANTEED MIN EFF. 94.1 PCT



DR. BY B.R.PENDLEY  
 CK. BY W.L.SMITH  
 APP. BY W.L.SMITH  
 DATE 08/16/11

A-C MOTOR PERFORMANCE DATA  
 A40MG0769-R001  
 ISSUE DATE 05/03/16



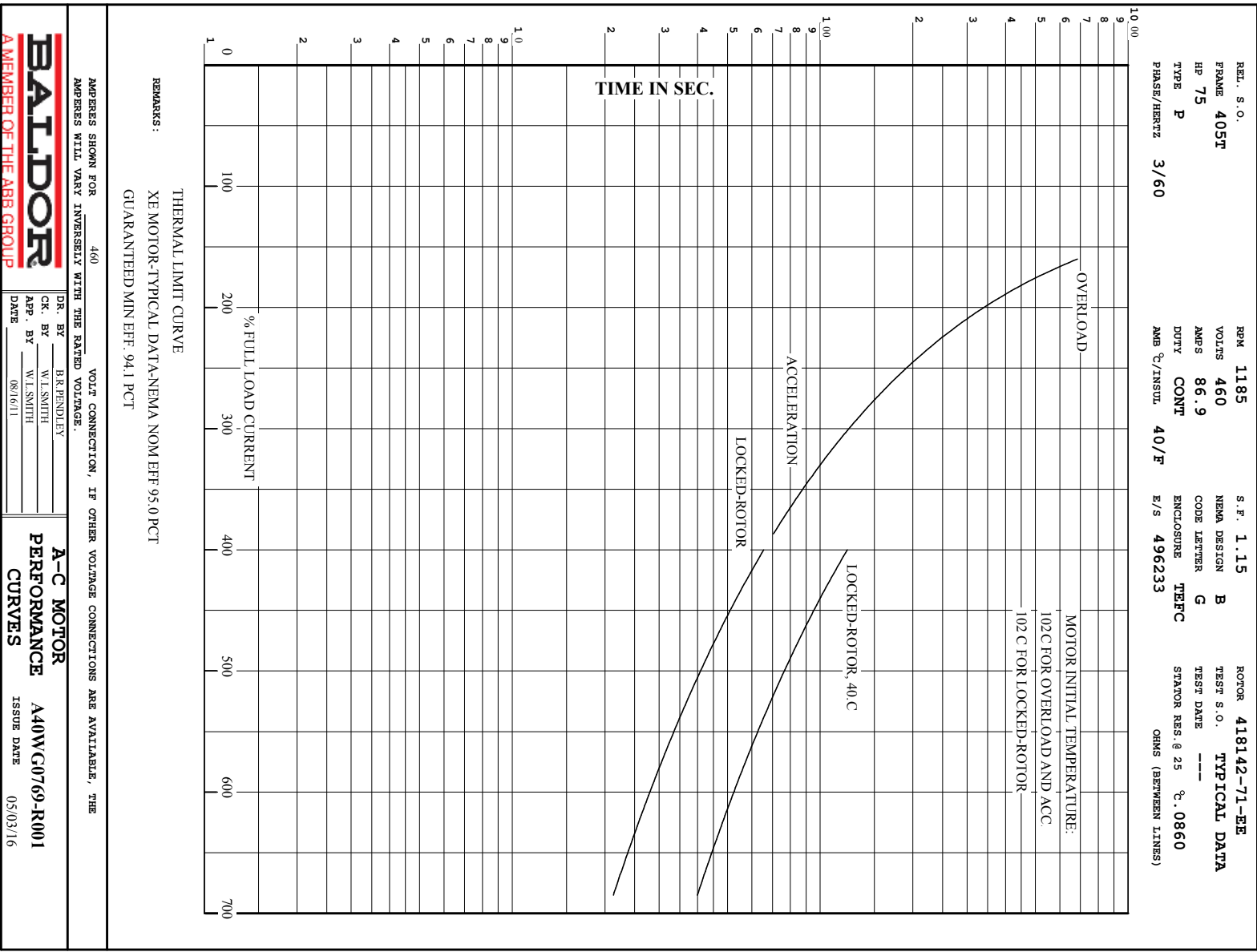
AMPERES SHOWN FOR 460 VOLTS  
AMPERES WILL VARY INVERSELY WITH THE RATED VOLTAGE.

VOLT CONNECTION, IF OTHER VOLTAGE CONNECTIONS ARE AVAILABLE, THE



DR. BY B.R. PENDLEY  
 CK. BY W.L. SMITH  
 App. BY W.L. SMITH  
 DATE 08/16/11

**A-C MOTOR PERFORMANCE CURVES**  
 A40W0769-R001  
 ISSUE DATE 05/03/16



617429-501

## DUTY MASTER ALTERNATING CURRENT MOTORS

### SQUIRREL-CAGE INDUCTION

ENCLOSURE: TOTALLY ENCLOSED

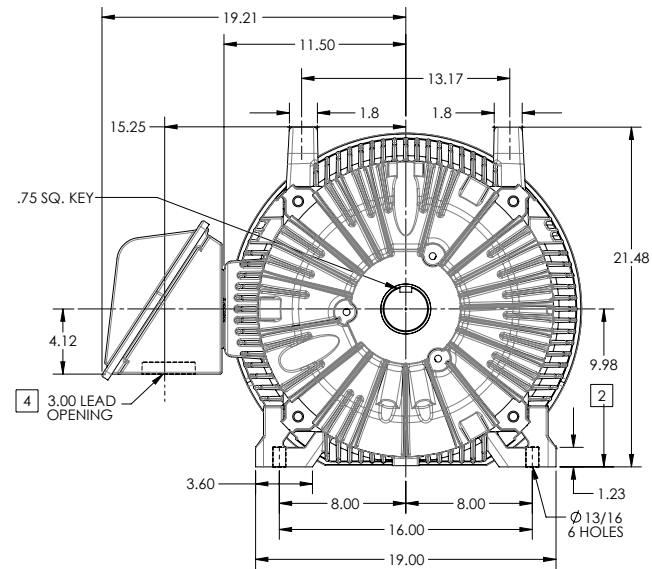
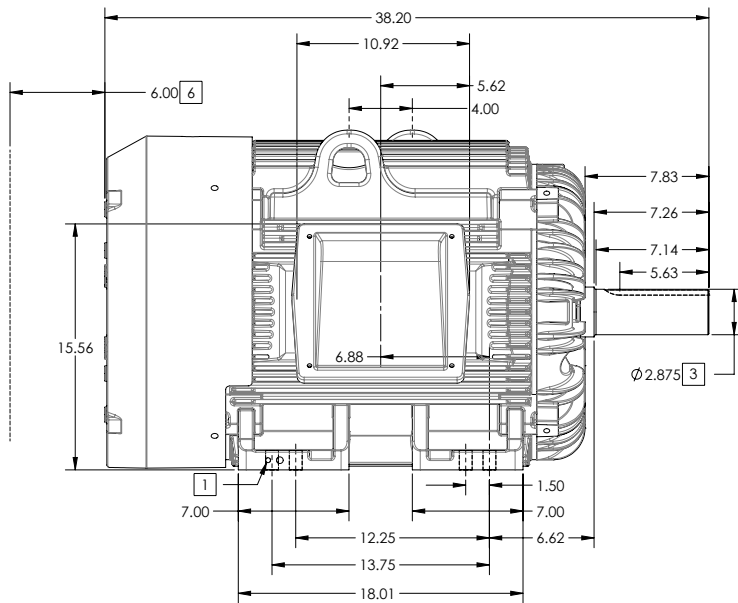
FRAME G405T ABOVE NEMA RATINGS

COOLING: FAN COOLED

MOUNTING: FOOT

INCLUDES 404T FRAME MOUNTING HOLES

XT/ECP SEVERE DUTY ENCLOSURE



1. GROUND HOLES QTY 1 1/2-13 TAP; QTY 1 3/8-16 TAP
2. VARIES +.00,-.06
3. VARIES +.00,-.001
4. ON STANDARD MOTORS THIS IS CONDUIT SIZE. ON XT AND CORROSION PROOF MOTOR THIS IS PIPE TAP.
5. MOTOR WEIGHTS MAY VARY BY 15% DEPENDING ON RATING.
6. OBSTRUCTION MUST NOT ENCROACH ON AIR INLET

[5] WEIGHT (LBS): 1370

CONDUIT BOX LOCATED ON OPPOSITE SIDE WHEN F-2.  
IF MOUNTING CLEARANCE DETAILS ARE REQUIRED, CONSULT FACTORY.  
MAXIMUM PERMISSIBLE SHAFT RUNOUT WHEN MEASURED AT END OF STANDARD SHAFT EXTENSION IS .003" T.I.R. TO 5 INCH DIA.

DIMENSIONS ARE IN INCHES; SEE SHEET 2 FOR DIMENSIONS IN MILLIMETERS

CUSTOMER IS RESPONSIBLE FOR DETERMINING THAT MOTOR PERFORMANCE IS SUITABLE IN THE APPLICATION.

SHEET NUMBER  
1 OF 2

105-627219

|   |                  |
|---|------------------|
| REV. DESC: CHANGE BA FROM 6.76 TO 6.62          | TDR: 00000848770 |
| REV: B VERSION: 02 REVISED: 01-11-16 04/14/2014 | REF:             |
| MODEL NO. 617429-501                            | REF:             |
| BY: MGHM22 Material:                            |                  |

**BALDOR**

G405T/404T STD - FOOTED - XT/ECP SEVERE DUTY ENCLOSURE

617429-501

617429-501

## DUTY MASTER ALTERNATING CURRENT MOTORS

SQUIRREL-CAGE INDUCTION

ENCLOSURE: TOTALLY ENCLOSED

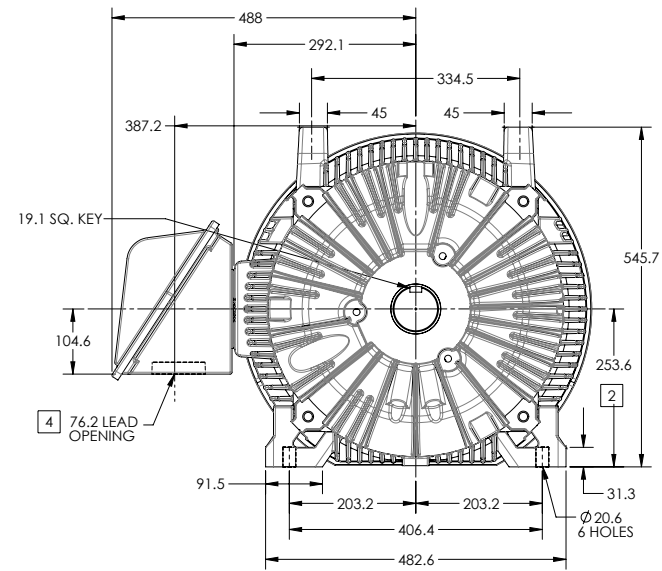
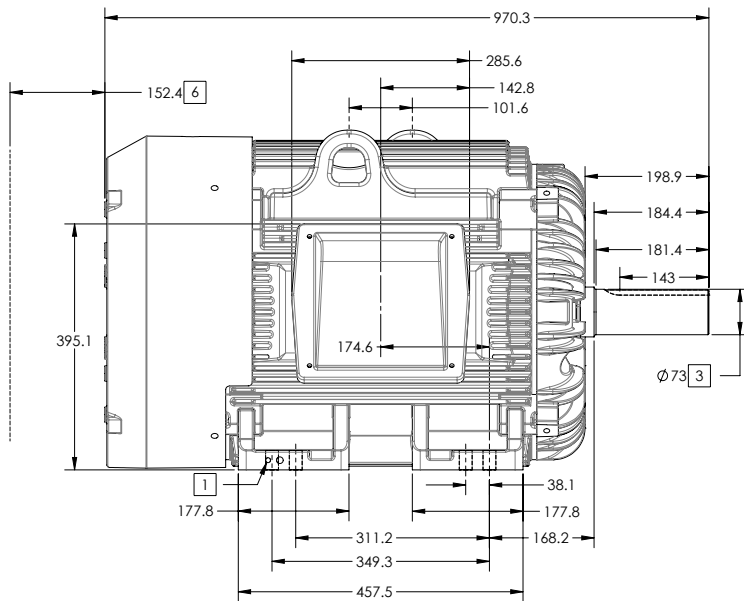
FRAME G405T ABOVE NEMA RATINGS

COOLING: FAN COOLED

MOUNTING: FOOT

INCLUDES 404T FRAME MOUNTING HOLES

XT/ECP SEVERE DUTY ENCLOSURE



1. GROUND HOLES QTY 1 1/2-13 TAP; QTY 1 3/8-16 TAP
2. VARIES +0,-1.5
3. VARIES +00,-.03
4. ON STANDARD MOTORS THIS IS CONDUIT SIZE. ON XT AND CORROSION PROOF MOTOR THIS IS PIPE TAP.
5. MOTOR WEIGHTS MAY VARY BY 15% DEPENDING ON RATING.
6. OBSTRUCTION MUST NOT ENCROACH ON AIR INLET

[5] WEIGHT (KGS): 630

CONDUIT BOX LOCATED ON OPPOSITE SIDE WHEN F-2. IF MOUNTING CLEARANCE DETAILS ARE REQUIRED, CONSULT FACTORY. MAXIMUM PERMISSIBLE SHAFT RUNOUT WHEN MEASURED AT END OF STANDARD SHAFT EXTENSION IS .08 MM T.I.R. TO 127 MM DIA.

DIMENSIONS ARE IN MILLIMETERS; SEE SHEET 1 FOR DIMENSIONS IN INCHES

CUSTOMER IS RESPONSIBLE FOR DETERMINING THAT MOTOR PERFORMANCE IS SUITABLE IN THE APPLICATION.

SHEET NUMBER  
2 OF 2

105-627219

|  |             |                              |                   |
|--|-------------|------------------------------|-------------------|
| REV. DESC: CHANGE BA FROM 6.76 TO 6.62 |             |                              |                   |
| REV: B                                 | VERSION: 02 | REVISED: 01-11-16 04/14/2014 | TDR: 000000848770 |
| MODEL NO. 617429-501                   |             | REF:                         |                   |
| BY: MGHMMZ2                            | Material:   | C                            |                   |

**BALDOR**

G405T/404T STD - FOOTED - XT/ECP SEVERE DUTY ENCLOSURE

617429-501

416820-036

A-C MOTOR  
 CONNECTION DIAGRAM  
 STANDARD 3 LEAD CONNECTED



(N.P. 1575-BA)

416820-036

|                                      |                              |                   |
|--------------------------------------|------------------------------|-------------------|
| REV. DESC: LOADED TO BUS, C/R 335225 |                              |                   |
| REV. LTR: -                          | VERSION: 00                  | TDR: 000000538207 |
| FILE: \MGA\00000\682                 | REVISED: 11:54:06 04/30/2010 |                   |
| MTL: -                               | BY: RAGRA                    |                   |

**BALDOR**

CONN DIAG - STANDARD 3 LEAD

SH 1 of 1

Marketing maintained PDF of MN408:

<http://www.baldor.com/support/Literature/Load.ashx/MN408?ManNumber=MN408>

Marketing maintained PDF of MN416:

<http://www.baldor.com/support/Literature/Load.ashx/MN416?ManNumber=MN416>