

BALDOR® • *RELIANCE*

Product Information Packet

EHM2511T

10HP, 1180RPM, 3PH, 60HZ, 256T, 3954M, OPSB, F1

Part Detail							
Revision:	A	Status:	PRD/A	Change #:		Proprietary:	No
Type:	AC	Prod. Type:	3954M	Elec. Spec:	39WGW950	CD Diagram:	CD0180
Enclosure:	OPSB	Mfg Plant:		Mech. Spec:	39R006	Layout:	39LYR006
Frame:	256T	Mounting:	F1	Poles:	06	Created Date:	10-21-2013
Base:	RG	Rotation:	R	Insulation:	F	Eff. Date:	03-29-2016
Leads:	9#12					Replaced By:	
Literature:		Elec. Diagram:					

Nameplate NP2094E06B03										
CAT.NO.	EHM2511T									
SPEC.	39R006W950G1									
HP	10									
VOLTS	230/460									
AMPS	28.6/14.3									
RPM	1180									
FRAME	256T			HZ 60			PH 3			
SER.F.	1.15		CODE	J		DES	A		CL	F
NEMA-NOM-EFF	91.7		PF	71						
RATING	40C AMB-CONT									
CC	010A			USABLE AT 208V			30			
DE	6309			ODE	6208					
AUTO				MANUAL				NONE		
ENCL	OPSB			SN						
BLANK										

Parts List		
Part Number	Description	Quantity
SA271132	SA 39R006W950G1	1.000 EA
RA257762	RA 39R006W950G1	1.000 EA
S/P107-000-006	SUPER-E(284 FR. & UP)-ZK PLANT,POLYREX E	1.000 EA
HA6361A01	LIFTING LUG FOR 37, 39 & 40 FRAME ZINC	2.000 EA
39CB4000A01	CONDUIT BOX 39, STAMPED	1.000 EA
19XW2520A08	SCREW,1/4-20X1/2 TAPTITE-II OR ROLOC 91	2.000 EA
HW1001A25	LOCKWASHER 1/4, ZINC PLT .493 OD, .255 I	2.000 EA
WD1000B16	T&B CX70TN TERMINAL	1.000 EA
39EP3200A01SP	FR/PU ENDPLATE, MACH	1.000 EA
HW4500A20	1/8NPT SL PIPE PLUG	2.000 EA
HW5100A08	W3118-035 WVY WSHR (WB)	1.000 EA
39EP3201A23	PU ENDPLATE, MACH W/AEGIS SH RING MTG	1.000 EA
HW4500A20	1/8NPT SL PIPE PLUG	2.000 EA
84XN0540J08	5-40 X 1/2" SHCS, BLACK OXIDE	2.000 EA
XY3816A12	3/8-16 FINISHED NUT	8.000 EA
39CB4500A01	CONDUIT BOX LID 39, STAMPED, W/ PRIMER	1.000 EA
51XF1032A08	10/32X1/2 HXWSHR HD, SL, TYPE F ,SERATED	2.000 EA
HW2501G25	KEY, 3/8 SQ X 2.875	1.000 EA
39AD2002A01	BAFFLE PLATE 39 OPEN, SLOTTED BAND MTRS	1.000 EA
MJ1000A02	GREASE, POLYREX EM EXXON (USe 4824-15A)	0.030 LB
39AD2002A01	BAFFLE PLATE 39 OPEN, SLOTTED BAND MTRS	1.000 EA
HA3154A03	STUD, 3/8-16 X 17.75	4.000 EA
MG1000G27	MED CHARCOAL METALLIC GREY 400-0096	0.050 GA
LC0181	CONNECTION LABEL	1.000 EA

Parts List (continued)		
Part Number	Description	Quantity
NP2094E06B03	NP LABEL W/BARCODE (PREM EFF HVAC MTR)	1.000 EA
39PA1000	PACKAGING GROUP 39 PRINT	1.000 EA

AC Induction Motor Performance Data

Record # 13008 - Typical performance - not guaranteed values

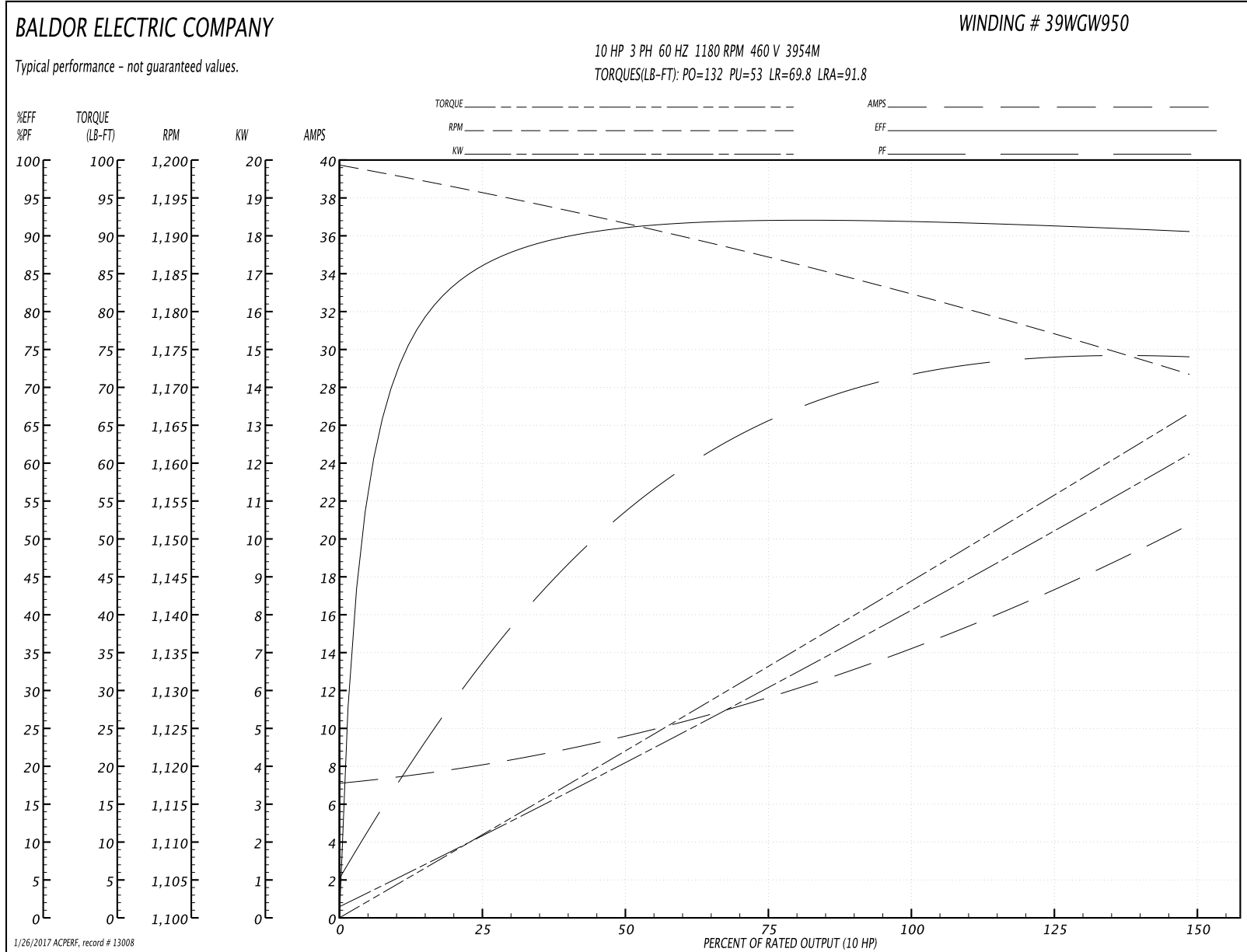
Winding: 39WGW950-R001	Type: 3954M	Enclosure: OPSB
-------------------------------	--------------------	------------------------

Nameplate Data				460 V, 60 Hz: High Voltage Connection	
Rated Output (HP)	10			Full Load Torque	44.4 LB-FT
Volts	230/460			Start Configuration	direct on line
Full Load Amps	28.6/14.3			Breakdown Torque	132 LB-FT
R.P.M.	1180			Pull-up Torque	53 LB-FT
Hz	60	Phase	3	Locked-rotor Torque	69.8 LB-FT
NEMA Design Code	B	KVA Code	J	Starting Current	91.8 A
Service Factor (S.F.)	1.15			No-load Current	7.16 A
NEMA Nom. Eff.	91.7	Power Factor	71	Line-line Res. @ 25°C	0.746 Ω
Rating - Duty	40C AMB-CONT			Temp. Rise @ Rated Load	22°C
S.F. Amps				Temp. Rise @ S.F. Load	29°C
				Locked-rotor Power Factor	26
				Rotor inertia	4.34 LB-FT ²

Load Characteristics 460 V, 60 Hz, 10 HP

% of Rated Load	25	50	75	100	125	150	S.F.
Power Factor	34	54	65	71	74	75	73
Efficiency	85.7	91	92	92	91.4	90.5	91.6
Speed	1196	1192	1187	1182	1177	1172	1179
Line amperes	8.04	9.52	11.7	14.25	17.29	20.7	16.07

Performance Graph at 460V, 60Hz, 10.0HP Typical performance - Not guaranteed values



AC Induction Motor Performance Data

Record # 33857 - Typical performance - not guaranteed values

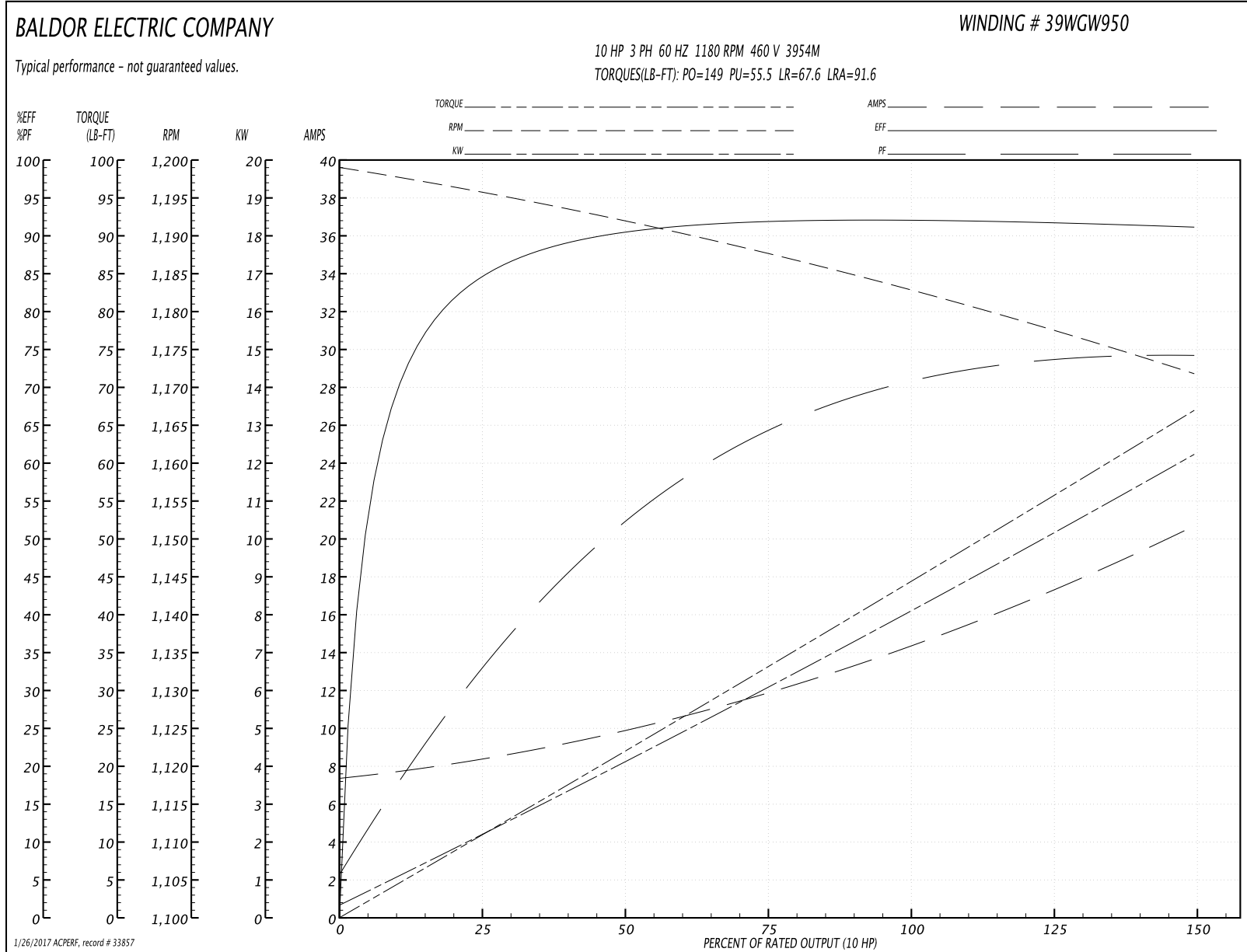
Winding: 39WGW950-R001	Type: 3954M	Enclosure: OPSB
-------------------------------	--------------------	------------------------

Nameplate Data				460 V, 60 Hz: High Voltage Connection	
Rated Output (HP)	10			Full Load Torque	44.1 LB-FT
Volts	230/460			Start Configuration	direct on line
Full Load Amps	28.6/14.3			Breakdown Torque	149 LB-FT
R.P.M.	1180			Pull-up Torque	55.5 LB-FT
Hz	60	Phase	3	Locked-rotor Torque	67.6 LB-FT
NEMA Design Code	B	KVA Code	J	Starting Current	91.6 A
Service Factor (S.F.)	1.15			No-load Current	7.51 A
NEMA Nom. Eff.	91.7	Power Factor	71	Line-line Res. @ 25°C	0.72568 Ω
Rating - Duty	40C AMB-CONT			Temp. Rise @ Rated Load	18°C
S.F. Amps				Temp. Rise @ S.F. Load	22°C
				Locked-rotor Power Factor	26
				Rotor inertia	4.34 LB-FT ²

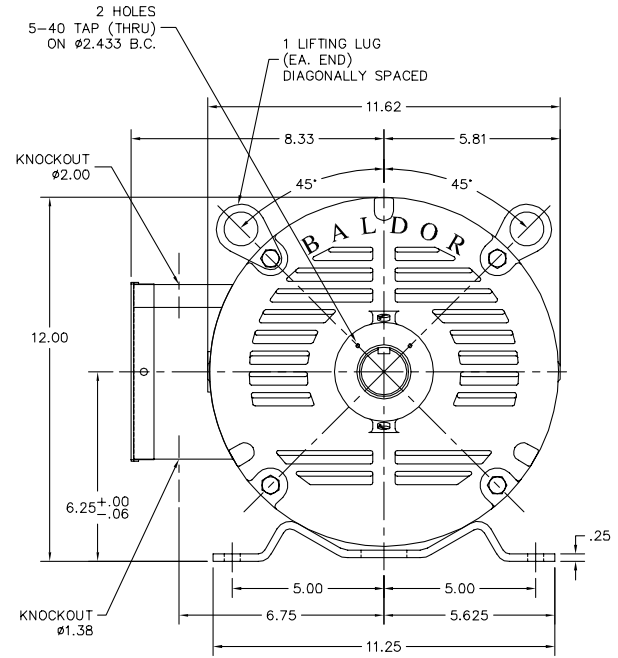
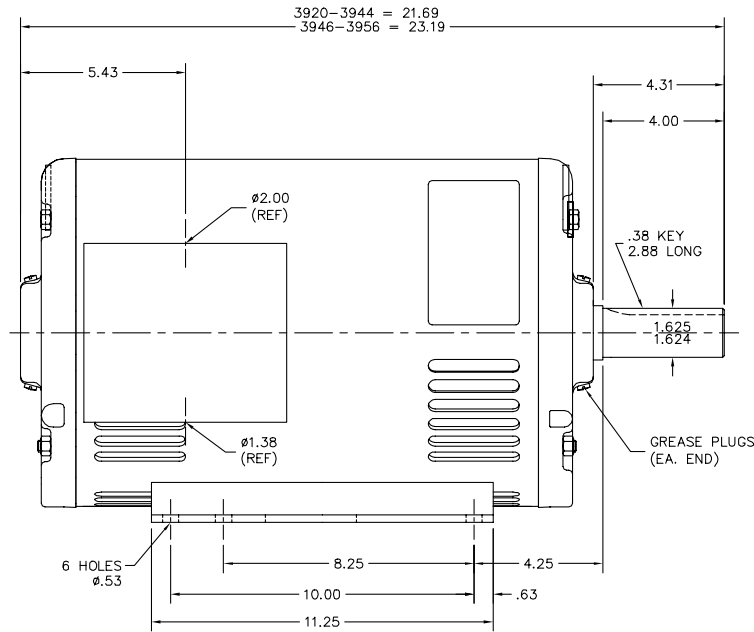
Load Characteristics 460 V, 60 Hz, 10 HP

% of Rated Load	25	50	75	100	125	150	S.F.
Power Factor	34	53	64	70	73	74	72
Efficiency	84.5	90.2	91.8	92.1	91.8	91.1	91.9
Speed	1195.9	1191.9	1187.8	1182.8	1177.7	1171.6	1180
Line amperes	8.2	9.72	11.9	14.4	17.5	20.6	16.3

Performance Graph at 460V, 60Hz, 10.0HP Typical performance - Not guaranteed values



39LYR006



39LYR006

CUSTOMER IS RESPONSIBLE FOR DETERMINING THAT BALDOR'S PRODUCT WILL PERFORM SUITABLY IN THE INTENDED APPLICATION.

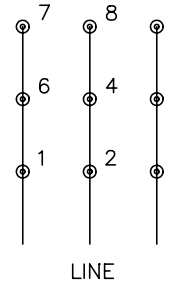
REV. DESC: ADD (2) 5-40 TAPPED HOLES TO PUEP	VERSION: 03	TDR: 000000722660
REV. LTR: C	REvised: 09:32:22 11/30/2011	BY: ENJOED0
FILE: \AAA\00081\398		
MTL: -		

BALDOR
HORZ OPSB 254-61 W/ GREASE PLUGS (HVAC MOTOR) PREMIUM EFF.
SH 1 of 1

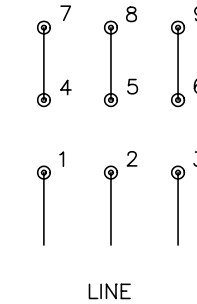
CD0180



LOW VOLTAGE
(2D)



HIGH VOLTAGE
(1D)



NOTES:

1. INTERCHANGE ANY TWO LINE LEADS TO REVERSE ROTATION.
2. OPTIONAL THERMOSTATS ARE PROVIDED WHEN SPECIFIED.
3. ACTUAL NUMBER OF INTERNAL PARALLEL CIRCUITS MAY BE A MULTIPLE OF THOSE SHOWN ABOVE.
4. LEAD COLORS ARE OPTIONAL. LEADS MUST ALWAYS BE NUMBERED AS SHOWN.

REV. DESC: REVISE TO SHOW OPTIONAL COLORS			
REV. LTR: C	BY: JLP	REVISED: 01/21/99 2:28	TDR: 0171435
0810D0		FILE: AAA00005148	MDL: -
		MTL: -	

BALDOR ELECTRIC Co.

3PH, DV, 9 LEADS, DELTA CONNECTION

CD0180