

BALDOR® • ***RELIANCE***

Product Information Packet

EJPM3218T

5HP/1760RPM/3PH/OPSB/NEMA 184JP

Part Detail							
Revision:	C	Status:	PRD/A	Change #:		Proprietary:	No
Type:	AC	Prod. Type:	3640M	Elec. Spec:	36WGS270	CD Diagram:	CD0005
Enclosure:	OPSB	Mfg Plant:		Mech. Spec:	36J514	Layout:	36LYJ514
Frame:	184JP	Mounting:	F1	Poles:	04	Created Date:	05-27-2015
Base:	RG	Rotation:	R	Insulation:	F	Eff. Date:	04-25-2016
Leads:	9#16					Replaced By:	
Literature:		Elec. Diagram:					

Nameplate NP1259L													
CAT.NO.	EJPM3218T												
SPEC.	36J514S270G3												
HP	5												
VOLTS	230/460												
AMP	13.2/6.6												
RPM	1750												
FRAME	184JP					HZ	60			PH	3		
SER.F.	1.15					CODE	J		DES	B		CL	F
NEMA-NOM-EFF	89.5					PF	80						
RATING	40C AMB-CONT												
CC	010A									USABLE AT 208V	14		
DE	6207					ODE	6205						
ENCL	OPSB					SN							

Parts List		
Part Number	Description	Quantity
SA302031	SA 36J514S270G3	1.000 EA
RA289115	RA 36J514S270G3	1.000 EA
36CB3004	36 CB CASTING W/1.09 DIA LEAD HOLE @ 6:0	1.000 EA
51XB1016A08	10-16X 1/2HXWSSLD SERTYB	2.000 EA
11XW1032G06	10-32 X .38, TAPTITE II, HEX WSHR SLTD U	1.000 EA
HW3001B01	BRASS CUP WASHER, FOR #8 SCREW	1.000 EA
36FE3200A25	FREP ASSEMBLY FOR ROUTING PURPOSES	1.000 EA
HW4500A01	1641B(ALEMITE)400 UNIV, GREASE FITT	1.000 EA
HW4500A17	317400 ALEMITE GREASE RELIEF	1.000 EA
HA1103A08	RODENT SCREEN, 36 FRAME, OPEN, FRONT END	1.000 EA
51XW1032A06	10-32 X .38, TAPTITE II, HEX WSHR SLTD S	4.000 EA
HW1000A10	#10 FLAT WASHER (SAE)	4.000 EA
HW5100A05	WVY WSHR F/205 & 304 BRGS	1.000 EA
36EP3405A06	PUEP 182-4C OPEN 207 BRG W/ TSLV, GRGR	1.000 EA
HW4500A01	1641B(ALEMITE)400 UNIV, GREASE FITT	1.000 EA
HW4500A17	317400 ALEMITE GREASE RELIEF	1.000 EA
HA1102A07	RODENT SCREEN 36 OPEN FACE	2.000 EA
11XF1032A04	10-32X1/4HXWSHR HDSLTDTYF	4.000 EA
HW1000A10	#10 FLAT WASHER (SAE)	4.000 EA
10XN2520A24	1/4-20X 1 1/2 HEX HD X	4.000 EA
HW1001A25	LOCKWASHER 1/4, ZINC PLT .493 OD, .255 I	4.000 EA
36CB4516	36 LIPPED CB LID	1.000 EA
51XW0832A07	8-32 X .44, TAPTITE II, HEX WSHR SLTD SE	4.000 EA
HA2009A01	36-4613 SL ANOD. ALUM (STER	1.000 EA

Parts List (continued)		
Part Number	Description	Quantity
80XN1032A06	10-32 X 3/8 SET SC HEX SOCK	1.000 EA
HW2501D15	KEY, 3/16 X 1.625	1.000 EA
HA7000A01	KEY RETAINER 7/8" DIA SHAFT	1.000 EA
85XU0407S04	4X1/4 U DRIVE PIN STAINLESS	2.000 EA
HW3200A01	3/8-16X3/4 I-BLT WELDED F/S	1.000 EA
MJ1000A02	GREASE, POLYREX EM EXXON (USe 4824-15A)	0.050 LB
MG1000Y03	MUNSELL 2.53Y 6.70/ 4.60, GLOSS 20,	0.022 GA
LB1115N	LABEL,LIFTING DEVICE (ON ROLLS)	1.000 EA
36AD2004A01	BAFFLE PLATE,MOD 36-SLTD BAND MTRS DELTA	2.000 EA
HA3101A40	THRUBOLT 1/4-20 X 12.687	4.000 EA
LC0005E01	CONN.DIA./WARNING LABEL (LC0005/LB1119N)	1.000 EA
NP1259L	ALUM SUPER-E UL CSA-EEV CC NEMA PREMIUM	1.000 EA
G0PA1000	PKG GRP, PRINT PK1026A06	1.000 EA
MN416A01	TAG-INSTAL-MAINT no wire (1000/bx) 11/14	1.000 EA

AC Induction Motor Performance Data

Record # 53360 - Typical performance - not guaranteed values

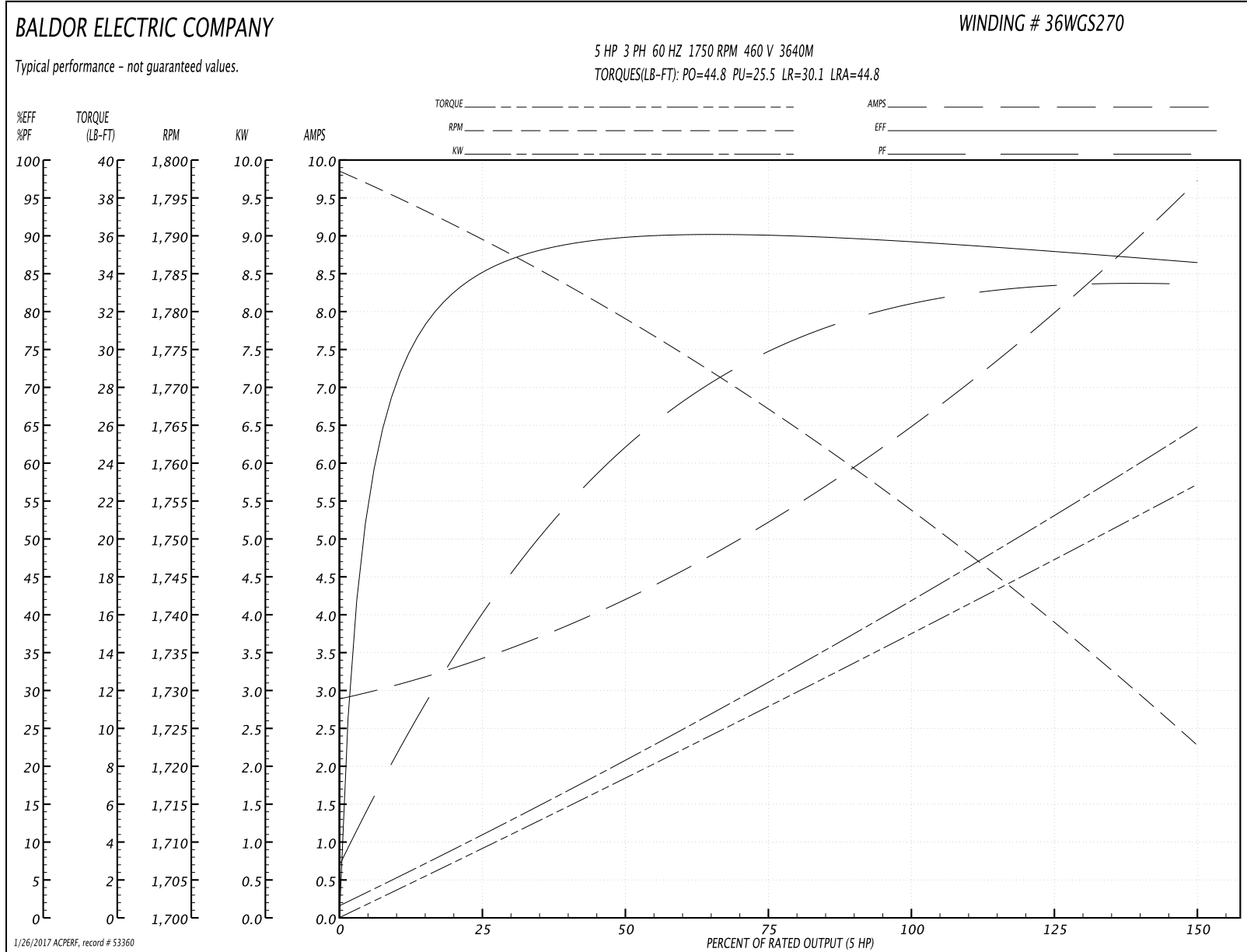
Winding: 36WGS270-R004	Type: 3640M	Enclosure: OPSB
-------------------------------	--------------------	------------------------

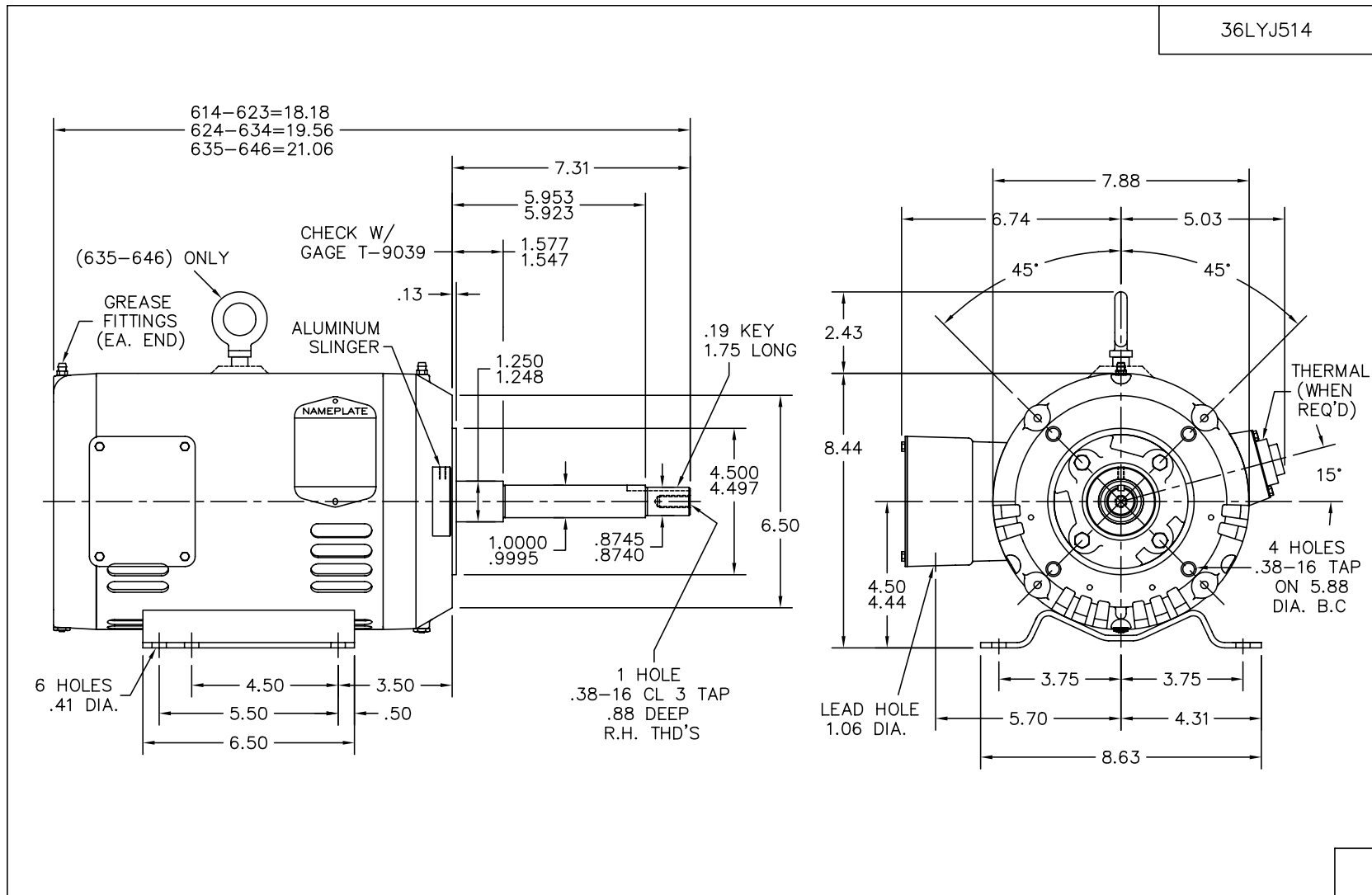
Nameplate Data				460 V, 60 Hz: High Voltage Connection	
Rated Output (HP)	5			Full Load Torque	15.05 LB-FT
Volts	230/460			Start Configuration	direct on line
Full Load Amps	13.2/6.6			Breakdown Torque	44.8 LB-FT
R.P.M.	1750			Pull-up Torque	25.5 LB-FT
Hz	60	Phase	3	Locked-rotor Torque	30.1 LB-FT
NEMA Design Code	B	KVA Code	J	Starting Current	44.8 A
Service Factor (S.F.)	1.15			No-load Current	2.97 A
NEMA Nom. Eff.	89.5	Power Factor	80	Line-line Res. @ 25°C	2.632 Ω
Rating - Duty	40C AMB-CONT			Temp. Rise @ Rated Load	44°C
S.F. Amps				Temp. Rise @ S.F. Load	56°C
				Locked-rotor Power Factor	41
				Rotor inertia	0.372 LB-FT ²

Load Characteristics 460 V, 60 Hz, 5 HP

% of Rated Load	25	50	75	100	125	150	S.F.
Power Factor	42	64	75	80	83	84	82
Efficiency	85.4	89.7	90.2	89.5	88.2	86.4	88.7
Speed	1789.2	1778.5	1766.9	1753.8	1739.5	1722.1	1745
Line amperes	3.33	4.14	5.26	6.59	8.05	9.68	7.47

Performance Graph at 460V, 60Hz, 5.0HP Typical performance - Not guaranteed values





36LYJ514

CUST. NAME		CUST. P.O.		CERTIFIED BY		MODEL		INSUL		AMB			
H.P.		MTG		TYPE		R.P.M.		VOLTS		ENCL			
PHASE		FREQ		FRAME		<p>BALDOR ELECTRIC Co.</p> <p>HORZ 182-4JP OPSB 36M</p>							
REV. LTR: -		BY: MW		REVISED: 10/15/99 8:55								TDR: 0192602	
36LYJ514		FILE: AAA00069080		MDL: -								MTL: -	

36LYJ514

CD0005



LOW VOLTAGE
(2Y)



LINE

HIGH VOLTAGE
(1Y)



LINE

NOTES:

1. INTERCHANGE ANY TWO LINE LEADS TO REVERSE ROTATION.
2. OPTIONAL THERMOSTATS ARE PROVIDED WHEN SPECIFIED.
3. ACTUAL NUMBER OF INTERNAL PARALLEL CIRCUITS MAY BE A MULTIPLE OF THOSE SHOWN ABOVE.
4. LEAD COLORS ARE OPTIONAL. LEADS MUST ALWAYS BE NUMBERED AS SHOWN.

REV. DESC: REVISE TO SHOW OPTIONAL COLORS			
REV. LTR: E	BY: JLP	REVISED: 01/19/99 10:15	TDR: 0171435
9000D		FILE: AAA00005140	MDL: -
		MTL: -	

BALDOR ELECTRIC Co.

3PH, DV, 9 LEADS

CD0005