

BALDOR® • ***RELIANCE***

Product Information Packet

EM2333T-58

15HP,1450RPM,3PH,50HZ,254T,0948M,TEFC,F1

Part Detail							
Revision:	G	Status:	PRD/A	Change #:		Proprietary:	No
Type:	AC	Prod. Type:	0948M	Elec. Spec:	09WGZ837	CD Diagram:	CD0382
Enclosure:	TEFC	Mfg Plant:		Mech. Spec:	09F103	Layout:	09LYF103
Frame:	254T	Mounting:	F1	Poles:	04	Created Date:	04-03-2015
Base:	RG	Rotation:	R	Insulation:	F	Eff. Date:	01-26-2017
Leads:	6#12					Replaced By:	
Literature:		Elec. Diagram:					

Nameplate NP3444L											
CAT NO	EM2333T-58										
SPEC.	09F103Z837G1										
HP	15							PH	3		
VOLTS	400										
AMP	21										
RPM	1450										
FRAME	254T				HZ	50			I.P.	54	
SER.F.	1.15		CODE	H		DES	B		CL	F	
NOM.EFF.	91.4										
PF	81			USABLE AT 208V							
RATING	40C AMB-CONT							CC			
DE BRG	6309				ODE	6208					
ENCL	TEFC			SN							
VPWM INVERTER READY											
CT6-60H(10:1)VT3-60H(20:1											
BLANK	IE3-92.1(75%)91.3(50%)										

Parts List		
Part Number	Description	Quantity
SA296421	SA 09F103Z837G1	1.000 EA
RA282461	RA 09F103Z837G1	1.000 EA
09FN3001D01	EXTERNAL FAN, PLASTIC	1.000 EA
09CB3000SP	CONDUIT BOX CAST	1.000 EA
09GS1000	GASKET-CONDUIT BOX, 1/16 THICK LEXIDE	1.000 EA
10XN2520K12	1/4-20 X.75 GRD 5	2.000 EA
HW1001A25	LOCKWASHER 1/4, ZINC PLT .493 OD, .255 I	2.000 EA
WD1000B17	T&B CX35TN TERMINAL	1.000 EA
51XW1032A06	10-32 X .38, TAPTITE II, HEX WSHR SLTD S	1.000 EA
09FE1100A14	FREP ASSEMBLY, 09EP1100A14	1.000 EA
HW5100A08	W3118-035 WVY WSHR (WB)	1.000 EA
10XN2520K28	1/4-20 X 1.75" HX HD SCRWGRADE 5, ZINC P	2.000 EA
HW1001A25	LOCKWASHER 1/4, ZINC PLT .493 OD, .255 I	2.000 EA
09EP1101A11SP	PU ENDPLATE, MACH	1.000 EA
HW1001A38	LOCKWASHER 3/8, ZINC PLT .688 OD, .382 I	4.000 EA
HW4600B44	V-RING SLINGER 1.500 X 1.810 X .28 VITON	1.000 EA
10XN2520K36	1/4-20 X 2.25" HX HD SCRWGRADE 5, ZINC P	4.000 EA
HW1001A25	LOCKWASHER 1/4, ZINC PLT .493 OD, .255 I	4.000 EA
HA3113A05	THRUBOLT 3/8 - 16 X 17.250	4.000 EA
XY3816A12	3/8-16 FINISHED NUT	4.000 EA
HW1001A38	LOCKWASHER 3/8, ZINC PLT .688 OD, .382 I	4.000 EA
09FH1000	FAN COVER,CAST W/E-COAT	1.000 EA
HA2081A05	SPACER TUBE, 309 FAN HSG, 2.00 LONG	4.000 EA
XY3816A12	3/8-16 FINISHED NUT	4.000 EA

Parts List (continued)		
Part Number	Description	Quantity
HW1001A38	LOCKWASHER 3/8, ZINC PLT .688 OD, .382 I	4.000 EA
09CB3500SP	CONDUIT BOX LID, CAST	1.000 EA
09GS1001	GASKET-CONDUIT BOX LID, 1/16 THICK LEXID	1.000 EA
51XW2520A12	.25-20 X .75, TAPTITE II, HEX WSHR SLTD	2.000 EA
HW2501G25	KEY, 3/8 SQ X 2.875	1.000 EA
LB1115N	LABEL,LIFTING DEVICE (ON ROLLS)	1.000 EA
HW4500A05	1669B ALEM/UNIV860 GR FTG X	1.000 EA
HW4500A17	317400 ALEMITE GREASE RELIEF	1.000 EA
HA4051A00	PLASTIC CAP FOR GREASE FITTING	1.000 EA
HA4054	SHORT T-DRAIN FITTING, .125" N.P.T.	1.000 EA
MJ1000A02	GREASE, POLYREX EM EXXON (USe 4824-15A)	0.080 LB
HW4500A03	GREASE FITTING, .125 NPT 1610(ALEMITE) 8	1.000 EA
HW4500A17	317400 ALEMITE GREASE RELIEF	1.000 EA
HA4051A00	PLASTIC CAP FOR GREASE FITTING	1.000 EA
HA4054	SHORT T-DRAIN FITTING, .125" N.P.T.	1.000 EA
HW2500A25	WOODRUFF KEY USA #1008 #BLOW CARBON STEE	1.000 EA
51XB1214A20	12-14X1.25 HXWSSLD SERTYB	1.000 EA
MG1000Y03	MUNSELL 2.53Y 6.70/ 4.60, GLOSS 20,	0.050 GA
85XU0407S04	4X1/4 U DRIVE PIN STAINLESS	2.000 EA
LB1119N	WARNING LABEL	1.000 EA
LC0382	CONNECTION LABEL	1.000 EA
NP3444L	ALUM SUPER-E VPWM INV READY NEMA IE3 UL	1.000 EA
09PA1000	PACKAGING GROUP COMBINED PRINT	1.000 EA
MN416A01	TAG-INSTAL-MAINT no wire (1000/bx) 11/14	1.000 EA

AC Induction Motor Performance Data

Record # 49902 - Typical performance - not guaranteed values

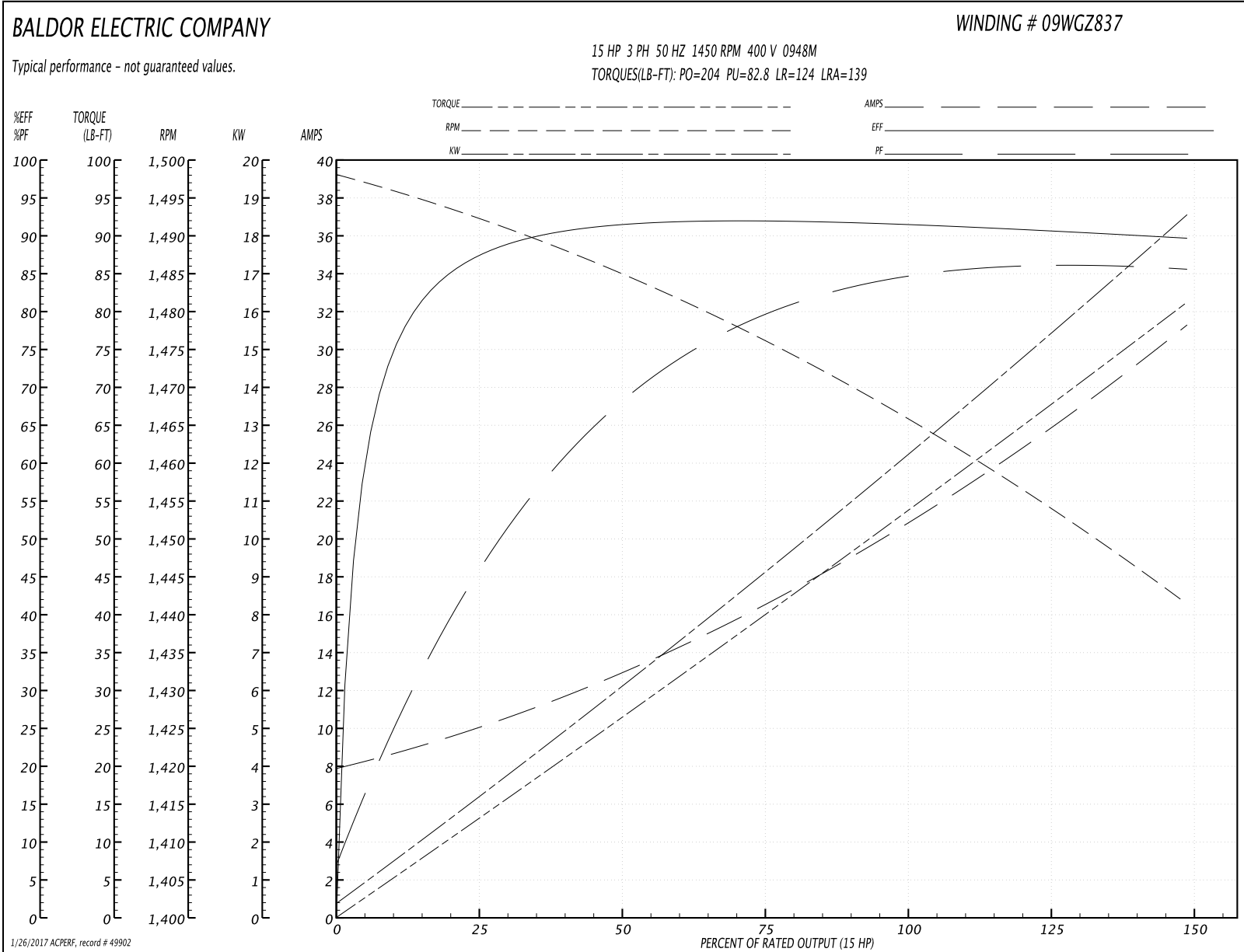
Winding: 09WGZ837-R003	Type: 0948M	Enclosure: TEFC
-------------------------------	--------------------	------------------------

Nameplate Data				400 V, 50 Hz: Single Voltage Motor	
Rated Output (HP)	15			Full Load Torque	54 LB-FT
Volts	400			Start Configuration	direct on line
Full Load Amps	21			Breakdown Torque	204 LB-FT
R.P.M.	1450			Pull-up Torque	82.8 LB-FT
Hz	50	Phase	3	Locked-rotor Torque	124 LB-FT
NEMA Design Code	B	KVA Code	H	Starting Current	139 A
Service Factor (S.F.)	1.15			No-load Current	8.2 A
NEMA Nom. Eff.	91.4	Power Factor	81	Line-line Res. @ 25°C	0.485 Ω
Rating - Duty	40C AMB-CONT			Temp. Rise @ Rated Load	59°C
S.F. Amps				Temp. Rise @ S.F. Load	73°C
				Locked-rotor Power Factor	36
				Rotor inertia	2.1 LB-FT ²

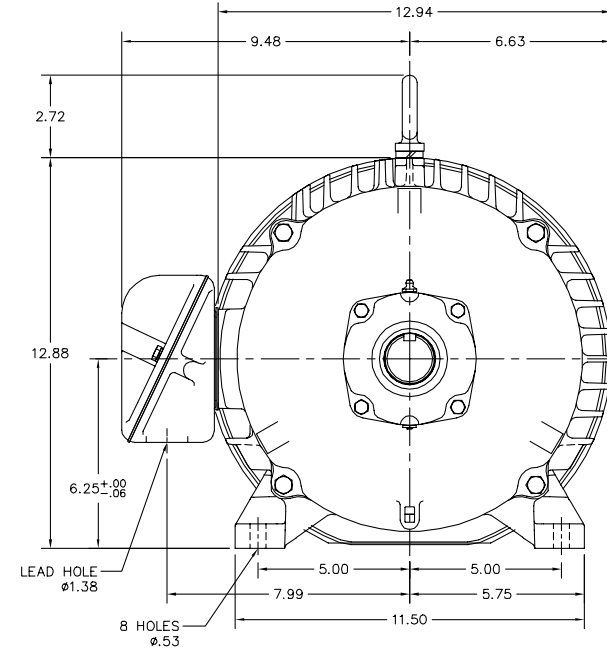
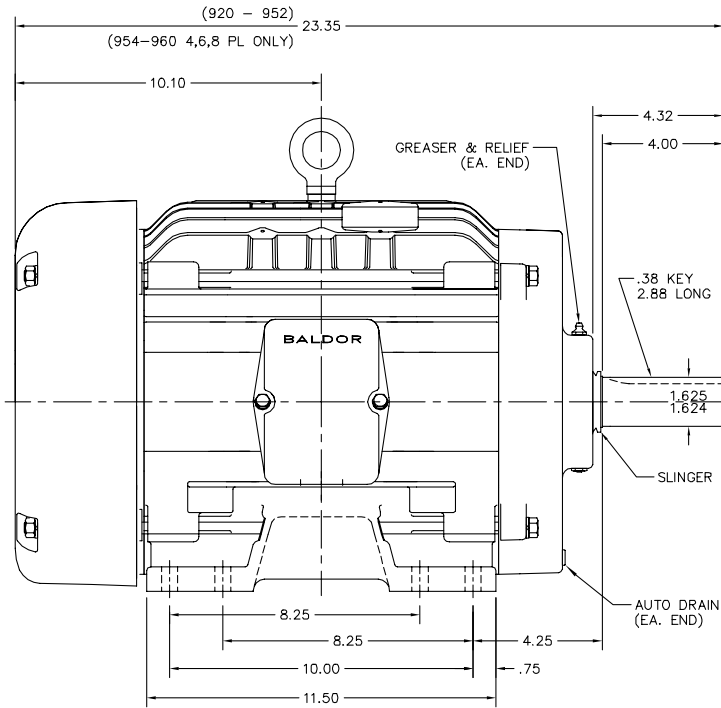
Load Characteristics 400 V, 50 Hz, 15 HP

% of Rated Load	25	50	75	100	125	150	S.F.
Power Factor	49	70	80	83	85	86	84
Efficiency	87	91.3	92.1	91.9	90.5	89.7	91.1
Speed	1491	1483	1477	1470	1449	1443	1457
Line amperes	9.74	12.8	16.7	21.3	26	31	24.1

Performance Graph at 400V, 50Hz, 15.0HP Typical performance - Not guaranteed values



09LYF103



09LYF103

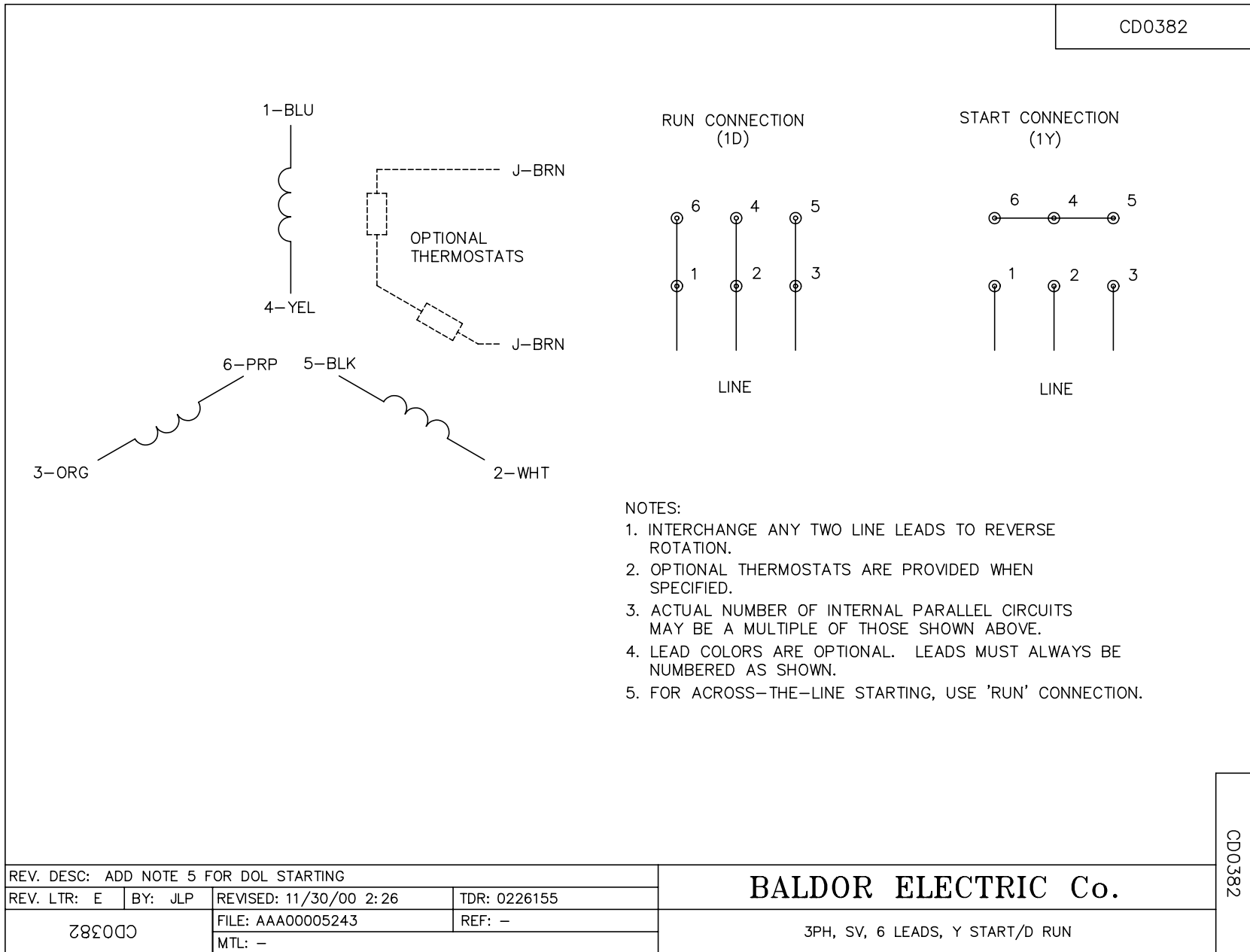
CUSTOMER IS RESPONSIBLE FOR DETERMINING THAT BALDOR'S PRODUCT WILL PERFORM SUITABLY IN THE INTENDED APPLICATION.

REV. DESC: REMOVE LOCKNUT	VERSION: 04	TDR: 000000952626
REV. LTR: D	REVISED: 03:12:44 11/09/2015	BY: ENMARSO
FILE: \AAA\00059\364		
MTL: -		

BALDOR

HORZ TEFC 254-6T W/C.I. FAN COVER
SH 1 of 1

CD0382



Marketing maintained PDF of MN416:

<http://www.baldor.com/support/Literature/Load.ashx/MN416?ManNumber=MN416>