

BALDOR® • RELIANCE

Product Information Packet

EM7045T-I

7.5//5HP,3520//2930 75CRISERPM,3PH,60//5

Part Detail							
Revision:	F	Status:	PRD/A	Change #:		Proprietary:	No
Type:	AC	Prod. Type:	3728M	Elec. Spec:	37WGR224	CD Diagram:	CD0005
Enclosure:	XPFC	Mfg Plant:		Mech. Spec:	37H721	Layout:	37LYH721
Frame:	213T	Mounting:	F1	Poles:	02	Created Date:	05-11-2012
Base:	RG	Rotation:	R	Insulation:	F	Eff. Date:	08-20-2015
Leads:	9#14					Replaced By:	
Literature:		Elec. Diagram:					

Nameplate NP0977XPSL										
NO.							CC	010A		
SER.							TEMP CODE	T3C		
SPEC.	37H721R224G1									
CAT.NO.	EM7045T-I									
HP	7.5//5									
VOLTS	230/460//190/380									
AMPS	18/9//15.4/7.7									
RPM	3520//2930 75C RISE						MOTOR WEIGHT	149		
HERTZ	60//50		PH	3	CL	F	DE BRG	6307		
SER.F.	1.15		DES	A	CODE	J	ODE BRG	6206		
FRAME	213T		GREASE	POLYREX EM						
RATING	40C AMB-CONT									
USABLE AT 208V	19.4		NEMA-NOM-EFF	89.5			PF	84		
	NEMA MG-1 PT 5,IP55									

Parts List		
Part Number	Description	Quantity
SA244913	SA 37H721R224G1	1.000 EA
RA231800	RA 37H721R224G1	1.000 EA
36FN3000B02	EXFN, PLASTIC, 6.00 OD, 1.175 ID	1.000 EA
37CB1005A02	CONDUIT BOX-MACH-EXPL.PROOF-GROUP "C" MTR	1.000 EA
11XW1032G06	10-32 X .38, TAPTITE II, HEX WSHR SLTD U	1.000 EA
HW3001B01	BRASS CUP WASHER, FOR #8 SCREW	1.000 EA
37EP1715A04	FR EP XPFC, GROUP "C" MTRS W/SPL DRAIN	1.000 EA
HW4500A19	1/4-28X1/4 SLOTTED PLUG F/S	2.000 EA
HW4506A02	BREATHER/DRAIN-EXP PROOF-.125-27 NPTF AI	1.000 EA
HW3022E05	.125 DIA X .500 ROLLED SPRING PIN	1.000 EA
37FH4000A09	FAN COVER, W/ PRIMER	1.000 EA
HW5100A06	W2420-025 WVY WSHR (WB)	1.000 EA
37EP1714A03	PU EP XPFC-GROUP "C" MTRS W/SPL DRAIN	1.000 EA
HW4500A19	1/4-28X1/4 SLOTTED PLUG F/S	2.000 EA
HW4506A02	BREATHER/DRAIN-EXP PROOF-.125-27 NPTF AI	1.000 EA
HW3022E05	.125 DIA X .500 ROLLED SPRING PIN	1.000 EA
51XW1032A06	10-32 X .38, TAPTITE II, HEX WSHR SLTD S	3.000 EA
37CB1502A01	CONDUIT BOX LID-MACH-EXPL.PROOF-GROUP "C"	1.000 EA
RM1020A42	O-RING, -154 BUNA-N, .103 CS X 3.737 ID	2.000 EA
HA2065A02	SLINGER, ALUM MODLE 36 & 37 DRILL RIG MT	1.000 EA
80XN1032A07	SET SCREW, HEX XOCK, ZN	1.000 EA
HW2501F21	KEY, 5/16 SQ X 2.375	1.000 EA
HA7000A02	KEY RETAINER RING, 1 1/8 DIA, 1 3/8 DIA	1.000 EA
85XU0407S04	4X1/4 U DRIVE PIN STAINLESS	6.000 EA

Parts List (continued)		
Part Number	Description	Quantity
LB1115N	LABEL,LIFTING DEVICE (ON ROLLS)	1.000 EA
LB1359F	ALUM XP CAUTION LABEL	1.000 EA
MJ1000A02	GREASE, POLYREX EM EXXON (USe 4824-15A)	0.050 LB
51XB1214A20	12-14X1.25 HXWSSLD SERTYB	1.000 EA
MG1025G29	WILKOFASST, 789.229, DARK CHARCOAL GRAY	0.028 GA
HA3106A03	THRUBOLT- 1/2-13 X 11.875 X	4.000 EA
LB1119N	WARNING LABEL	1.000 EA
LC0145B01	CONNECTION LABEL	1.000 EA
NP0977XPSL	SS XP UL CSA CC CL-I GP-C&D	1.000 EA
37PA1039	PALLET PACK GRP, PRINT PK1026A06	1.000 EA
MN416A01	TAG-INSTAL-MAINT no wire (1000/bx) 11/14	1.000 EA

AC Induction Motor Performance Data

Record # 38348 - Typical performance - not guaranteed values

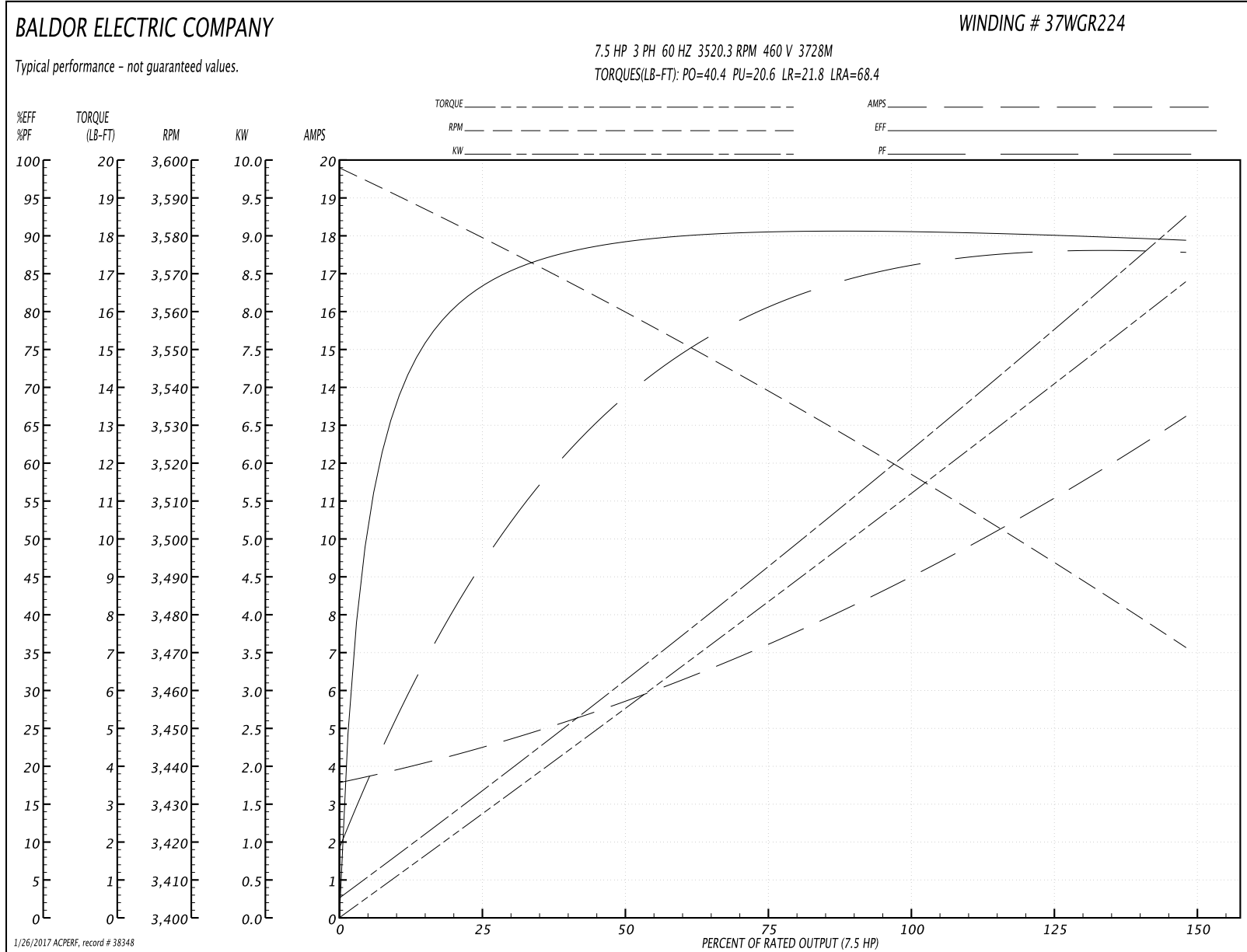
Winding: 37WGR224-R005	Type: 3728M	Enclosure: XPFC
-------------------------------	--------------------	------------------------

Nameplate Data				460 V, 60 Hz: High Voltage Connection	
Rated Output (HP)	7.5//5			Full Load Torque	10.9 LB-FT
Volts	208-230/460//190/380			Start Configuration	direct on line
Full Load Amps	19.4-18/9//15.4/7.7			Breakdown Torque	40.4 LB-FT
R.P.M.	3520//2930			Pull-up Torque	20.6 LB-FT
Hz	60//50	Phase	3	Locked-rotor Torque	21.8 LB-FT
NEMA Design Code	A	KVA Code	J	Starting Current	68.4 A
Service Factor (S.F.)	1.15			No-load Current	3.73 A
NEMA Nom. Eff.	89.5	Power Factor	84	Line-line Res. @ 25°C	1.1531 Ω
Rating - Duty	40C AMB-CONT			Temp. Rise @ Rated Load	45°C
S.F. Amps				Temp. Rise @ S.F. Load	54°C
				Locked-rotor Power Factor	33
				Rotor inertia	0.255 LB-FT ²

Load Characteristics 460 V, 60 Hz, 7.5 HP

% of Rated Load	25	50	75	100	125	150	S.F.
Power Factor	45	69	79	84	87	89	86
Efficiency	81.5	88.8	90.5	90.6	90.1	89.2	90.3
Speed	3580.5	3562.7	3541.6	3520.3	3496.3	3470.9	3506
Line amperes	4.22	5.36	7.03	8.94	11	13.1	10.2

Performance Graph at 460V, 60Hz, 7.5HP Typical performance - Not guaranteed values



AC Induction Motor Performance Data

Record # 38350 - Typical performance - not guaranteed values

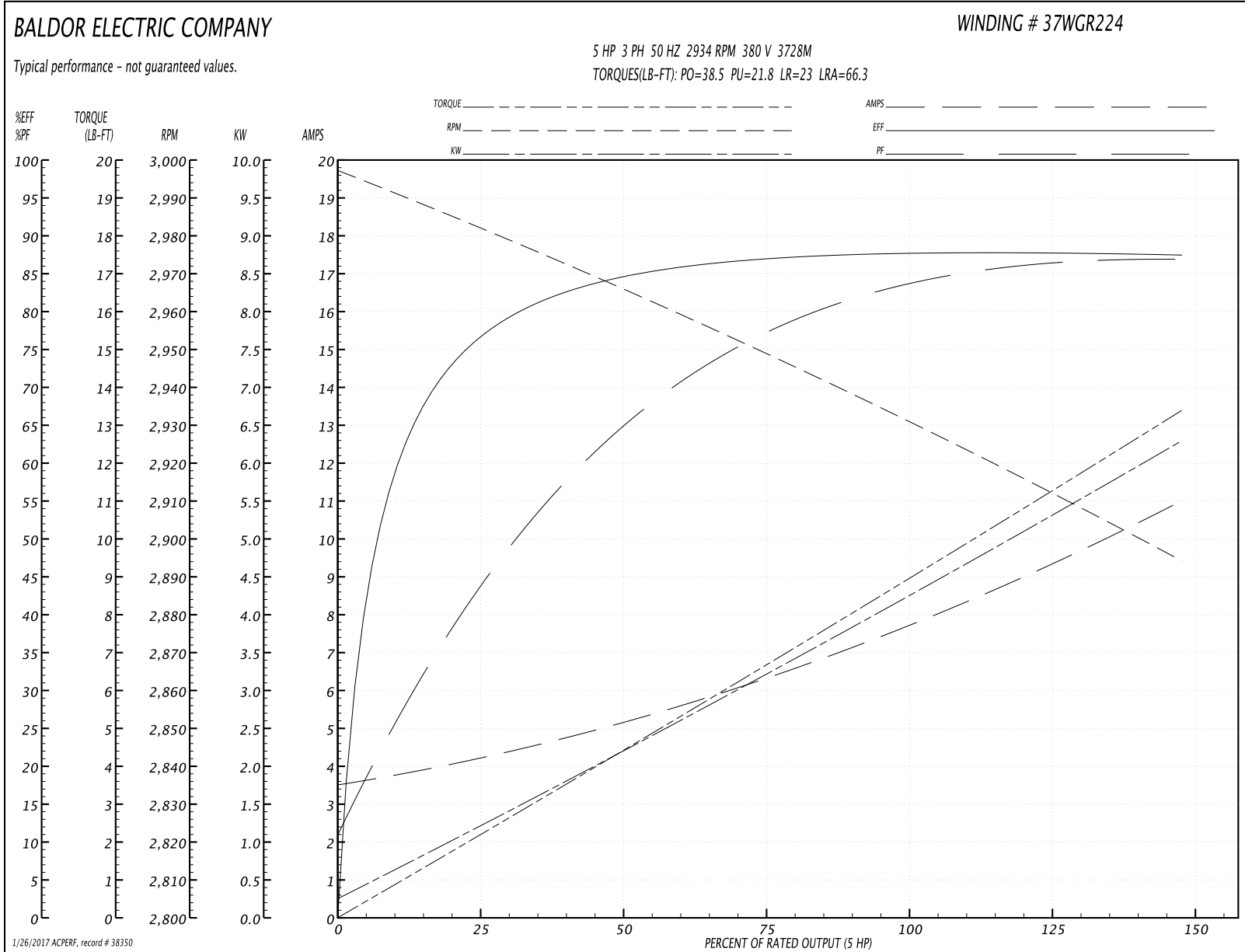
Winding: 37WGR224-R005	Type: 3728M	Enclosure: XPFC
-------------------------------	--------------------	------------------------

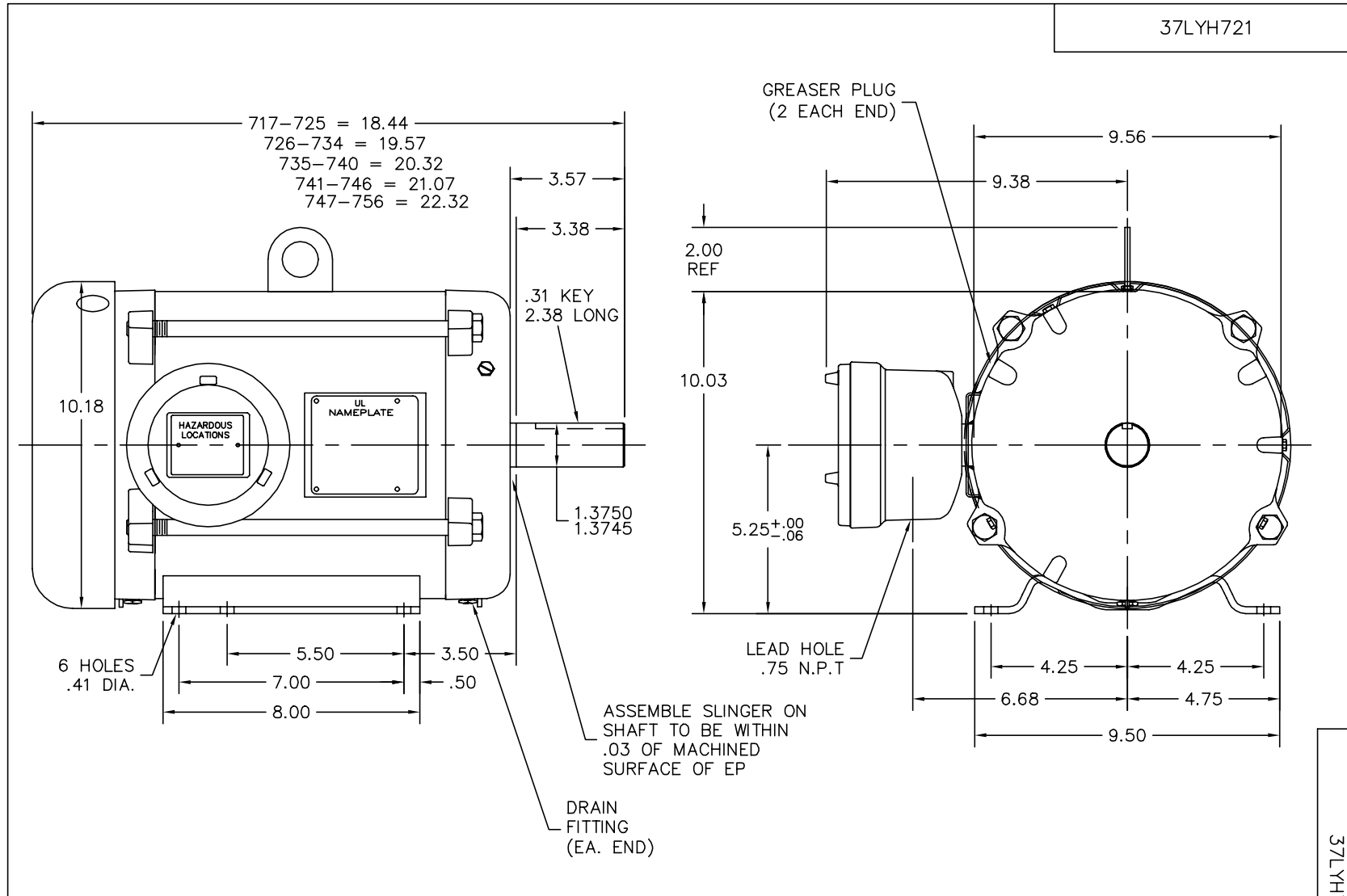
Nameplate Data				380 V, 50 Hz: High Voltage Connection	
Rated Output (HP)	7.5//5			Full Load Torque	8.71 LB-FT
Volts	208-230/460//190/380			Start Configuration	direct on line
Full Load Amps	19.4-18/9//15.4/7.7			Breakdown Torque	38.5 LB-FT
R.P.M.	3520//2930			Pull-up Torque	21.8 LB-FT
Hz	60//50	Phase	3	Locked-rotor Torque	23 LB-FT
NEMA Design Code	A	KVA Code	J	Starting Current	66.3 A
Service Factor (S.F.)	1.15			No-load Current	3.63 A
NEMA Nom. Eff.	89.5	Power Factor	84	Line-line Res. @ 25°C	1.1 Ω
Rating - Duty	40C AMB-CONT			Temp. Rise @ Rated Load	35°C
S.F. Amps				Temp. Rise @ S.F. Load	42°C
				Locked-rotor Power Factor	37
				Rotor inertia	0.255 LB-FT ²

Load Characteristics 380 V, 50 Hz, 5 HP

% of Rated Load	25	50	75	100	125	150	S.F.
Power Factor	42	65	76	82	85	88	84
Efficiency	73.7	83.9	86.9	87.9	87.7	87.5	87.8
Speed	2983	2968	2951	2934	2914	2894	2922
Line amperes	4.01	4.88	6.18	7.66	9.26	10.9	8.62

Performance Graph at 380V, 50Hz, 5.0HP Typical performance - Not guaranteed values





CUSTOMER IS RESPONSIBLE FOR DETERMINING THAT BALDOR'S PRODUCT WILL PERFORM SUITABLY IN THE INTENDED APPLICATION.

REV. DESC: REPLACED 37FH4000A02 W/ 37FH4000A09		
REV. LTR: D	VERSION: 01	TDR: 000000843643
FILE: \AAA\00086\536	REVISED: 10:01:52 03/12/2014	BY: ENKANVO
MTL: -	⊙ □	

BALDOR

HOR 213-5T XPFC 37M CL I-GP C&D T'STAT/DRILL RIG, EPACT

SH 1 of 1

37LYH721

CD0005

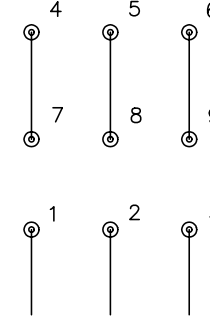


LOW VOLTAGE
(2Y)



LINE

HIGH VOLTAGE
(1Y)



LINE

NOTES:

1. INTERCHANGE ANY TWO LINE LEADS TO REVERSE ROTATION.
2. OPTIONAL THERMOSTATS ARE PROVIDED WHEN SPECIFIED.
3. ACTUAL NUMBER OF INTERNAL PARALLEL CIRCUITS MAY BE A MULTIPLE OF THOSE SHOWN ABOVE.
4. LEAD COLORS ARE OPTIONAL. LEADS MUST ALWAYS BE NUMBERED AS SHOWN.

REV. DESC: REVISE TO SHOW OPTIONAL COLORS			
REV. LTR: E	BY: JLP	REVISED: 01/19/99 10:15	TDR: 0171435
90000		FILE: AAA00005140	MDL: -
		MTL: -	

BALDOR ELECTRIC Co.

3PH, DV, 9 LEADS

CD0005