

BALDOR® • *RELIANCE*

Product Information Packet

IDDRPM21404

40HP,1750RPM,3PH,N/AHZ,2162,DPG-FV,

Part Detail							
Revision:	-	Status:	PRD/A	Change #:		Proprietary:	No
Type:	AC	Prod. Type:		Elec. Spec:	L0231A	CD Diagram:	422927-001
Enclosure:	DPFV	Mfg Plant:		Mech. Spec:		Layout:	617202-001
Frame:	RL2162	Mounting:	F1	Poles:	04	Created Date:	04-10-2015
Base:		Rotation:	R	Insulation:	H	Eff. Date:	04-13-2015
Leads:						Replaced By:	
Literature:		Elec. Diagram:					

Parts List		
Part Number	Description	Quantity
WS286772	WS P21R0211	1.000 EA
RA282980	RA P21R0211	1.000 EA
000613006NN	RPM AC WITH CERTIFIED LOGOS	1.000 EA
000692000FP	NP, WARNING LIFT INSTRUCTIONS	1.000 EA
000692000VD	LABEL WARNING	1.000 EA
036170004EA	ROUND HEAD DRIVE SCREW	4.000 EA
422927001	C/D LABEL	1.000 EA
036100080KA	M10-1.50X 80MM HXSOCHDCS	3.000 EA
036140001B	METRIC EYEBOLT	2.000 EA
036500010AB	METRIC NUT M10-1.5PLTD400	4.000 EA
036500010AB	METRIC NUT M10-1.5PLTD400	4.000 EA
036600010AB	MFWSH M10 PLATED	8.000 EA
400638001AB	WASHER SPRING - 210	1.000 EA
602018077A	DRAIN	1.000 EA
602018077A	DRAIN	1.000 EA
609830005ACL	STUD FRAME .375X11.38	4.000 EA
807527202DAE	BRKT,DE,RL210,DPFV	1.000 EA
807527203CCB	BRKT,ODE,RL210,DPFV	1.000 EA
000613006NT	NAME PLATE IEC	1.000 EA
032018004AK	HHCS 1/4-20X1/2 PLATED	2.000 EA
032018004DK	HHCS,DRIP COVER	4.000 EA
032018006CK	HHCS 3/8-16X3/4L PLATED	4.000 EA
034017014AB	LCKW 3/8 STD. PLATED	4.000 EA
036000012JB	M8-1.25 X 12MM HXHDC	3.000 EA

Parts List (continued)		
Part Number	Description	Quantity
036000012JB	M8-1.25 X 12MM HXHDC	4.000 EA
036000020HB	HHCS M6-1.0X20MM PLATED	4.000 EA
036000020HB	HHCS M6-1.0X20MM PLATED	8.000 EA
036321020HB	HEXSOCKET FLAT SCREW M	4.000 EA
036600009AB	METRIC FLWASH M8 PLATED	3.000 EA
036620008AB	M6 METRIC EXT LOCKWASHER	1.000 EA
065564000B	GASK 250-280	1.000 EA
075452000B	C/BOX, PAINTED 210-250	1.000 EA
075453000A	CBOXC, PAINTED 250-280	1.000 EA
410978010C	FLANGE, INLET BLOWER HSG.	1.000 EA
410978019A	SCREEN, INLET FLANGE	1.000 EA
415000103A	T/LUG #14AWG-#4AWG W/HOLE FOR .250 BOLT	1.000 EA
417733004T	GASKET CONDUIT BOX	2.000 EA
418018074A	GROUND LABEL G100 METRIC 160 D.C.	1.000 EA
422919190	CVRKT BE	1.000 EA
422919190	CVRKT BE	1.000 EA
609843001K	GASKET HANDHOLE COVER FE	1.000 EA
610409128A	ADAPTER, BLOWER	1.000 EA
610490001A	.5HP,3450//2850RPM,3PH,60//50HZ,56C,3420	1.000 EA
611917002AN	GASKT RL210 DPFV	1.000 EA
611965001A	WHEEL, BLOWER	1.000 EA
706305301A	GUARD, SHAFT	1.000 EA
708528004G	HOUSING, BLOWER	1.000 EA
000640000P	TAG WINDING THERMOST	1.000 EA

004824007K	SPECIAL PAINT	0.100 EA
034180020GA	KEY 1/2X1/2X2-1/2 L	1.000 EA
418018116	WARNING PLATE	1.000 EA

REL. S. O. -

FRAME RL2162

HP 40

BASE SPEED 1750

PHASE/HERTZ 3/60

VOLTS 460

AMPS 49.26

DUTY CONT 1.0

S.F. P.F. .089/.872

AMB °C/INSUL 40/H

ENCLOSURE IM (AMPS) 5000

MAX SAFE RPM 5000

P.F. @NL/FL .113

WR² (LB-FT²) 1.99

DEPV WYE CONN EQ CKT OHMS PER PHASE (AT BASE RATING, 25 °C)

R1 .177

R2 .113

R3 .717

X1 .748

X2 .717

X3 17.6


RATED FULL LOAD DATA

	RPM	HP	TORQUE LB-FT	FUND VOLTS	FREQ-HZ	AMPS
BASE SPEED	1747	40.0	120	460	60	49.6
MAX SPEED	2007	40.0	105	460	69	48.9
MIN SPEED	0	0	120	26.7	1.78	49.6

LOAD PERFORMANCE AT BASE SPEED

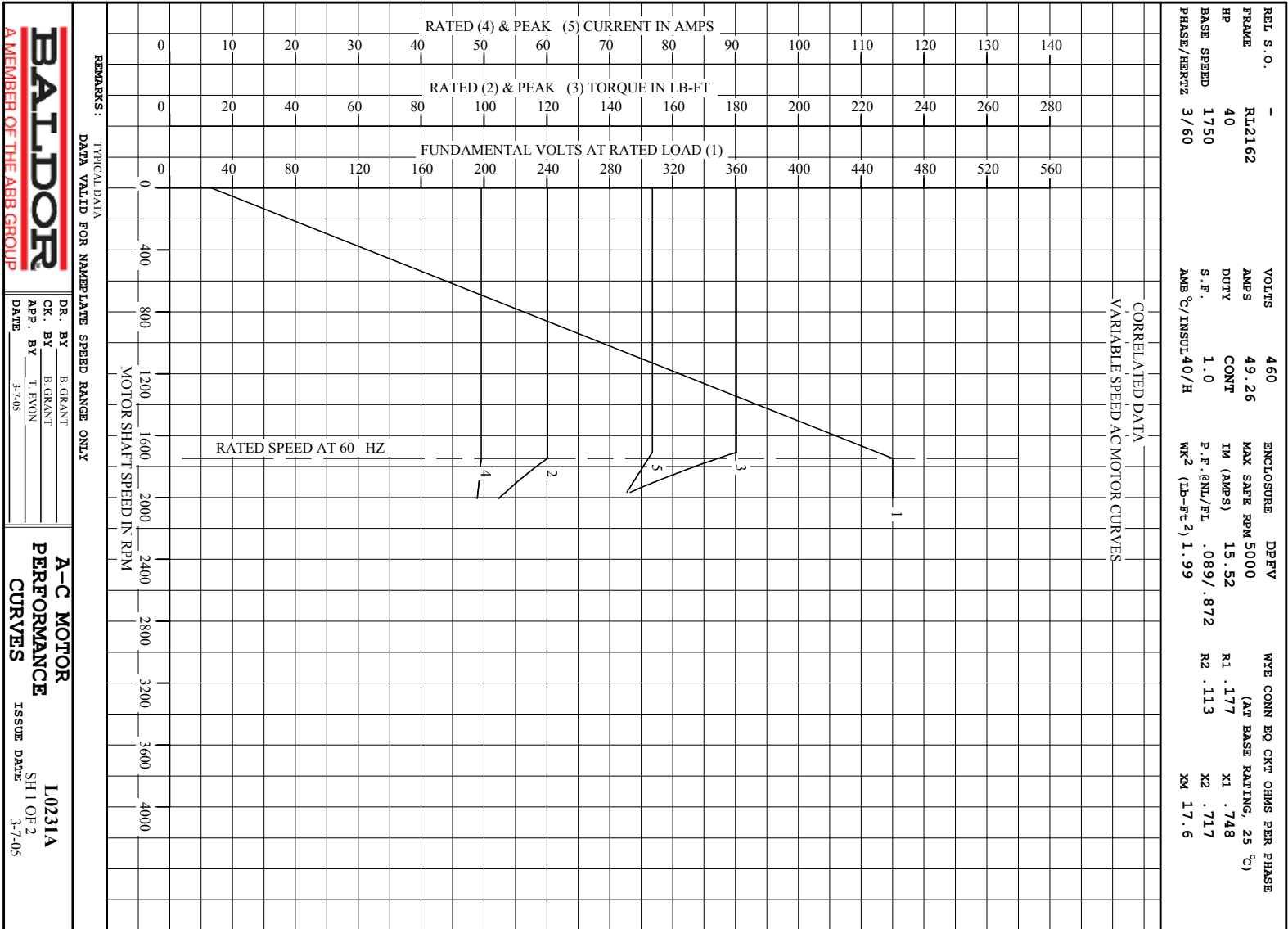
	RPM	HP	TORQUE LB-FT	FUND VOLTS	FREQ-HZ	AMPS
NO LOAD	1800	0	0	460	60	15.3
1/4	1788	10.0	29	460	60	19.4
1/2	1776	20.0	59	460	60	27.6
3/4	1762	30.0	89	460	60	37.7
FULL LOAD	1747	40.0	120	460	60	49.6
O/L	1707	58.6	180	460	60	76.8

REMARKS: TYPICAL DATA
CORRELATED DATA

 <p>A MEMBER OF THE ABB GROUP</p>	DR. BY B. GRANT	<p>A-C MOTOR</p> <p>PERFORMANCE DATA</p> <p>ISSUE DATE 3-7-05</p>
	<p>CK. BY T. EVON</p> <p>APP. BY 3-7-05</p>	

C/R 393520

Printed on 12/14/11 12:02 @ 199



REMARKS: TYPICAL DATA
DATA VALID FOR NAMEPLATE SPEED RANGE ONLY

BALDOR
A MEMBER OF THE ABB GROUP

DR. BY B. GRANT
CK. BY B. GRANT
APP. BY T. EVON
DATE 3-7-05

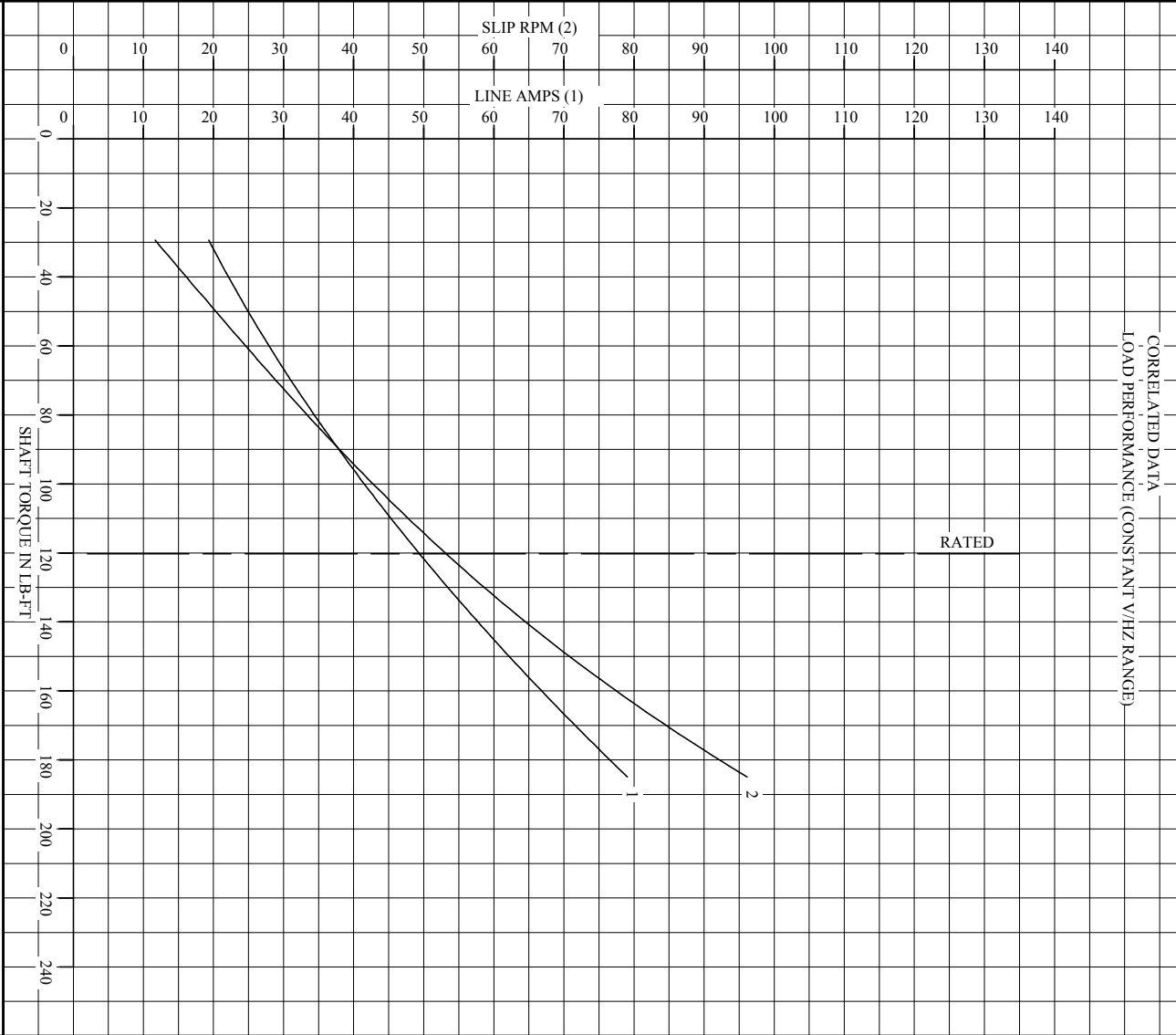
A-C MOTOR
PERFORMANCE
CURVES

L0231A
SH 1 OF 2
ISSUE DATE 3-7-05


C/R 393520

1

REL. S. O.	-	VOLTS	460	ENCLOSURE	DPFV	WYE CONN EQ CKT OHMS PER PHASE (AT BASE RATING, 25 °C)
FRAME	RL2162	AMPS	49.26	MAX SAFE RPM	5000	R1 .177
HP	40	DUTY	CONT	IM (AMPS)	15.52	X1 .748
BASE SPEED	1750	S.F.	1.0	P.F. @NL/FL	.089/.872	R2 .113
PHASE/HERTZ	3/60	AMB C/INSUL	40/H	WK ² (LD-FL 2)	1.99	X2 .717
						X3 17.6



REMARKS: TYPICAL DATA
DATA VALID FOR NAMEPLATE SPEED RANGE ONLY



BALDOR
A MEMBER OF THE ABB GROUP

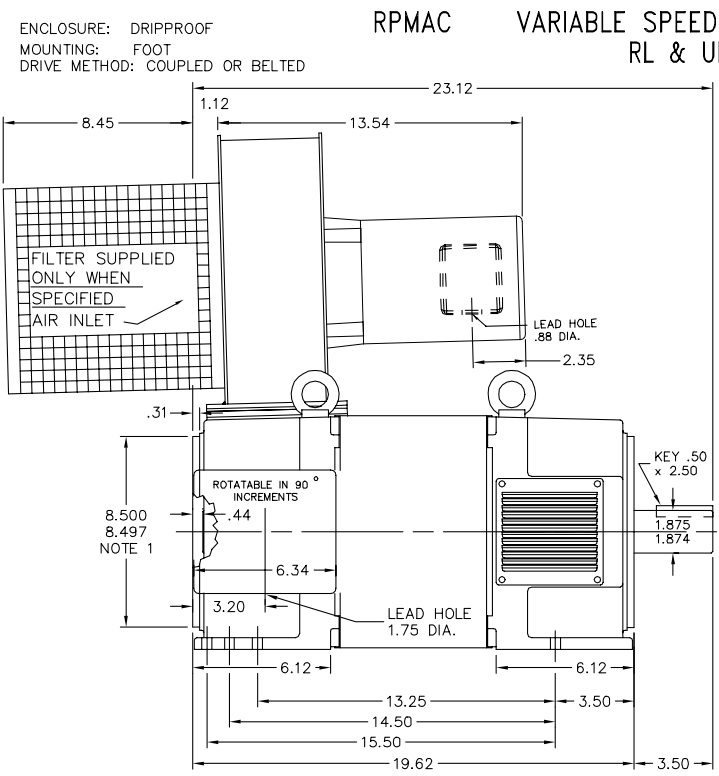
DR. BY B. GRANT
CK. BY B. GRANT
APP. BY T. EVON
DATE 3-7-05

**A-C MOTOR
PERFORMANCE
CURVES**

L0231A
SH 2 OF 2
ISSUE DATE 3-7-05

C/R 393520

617202-001



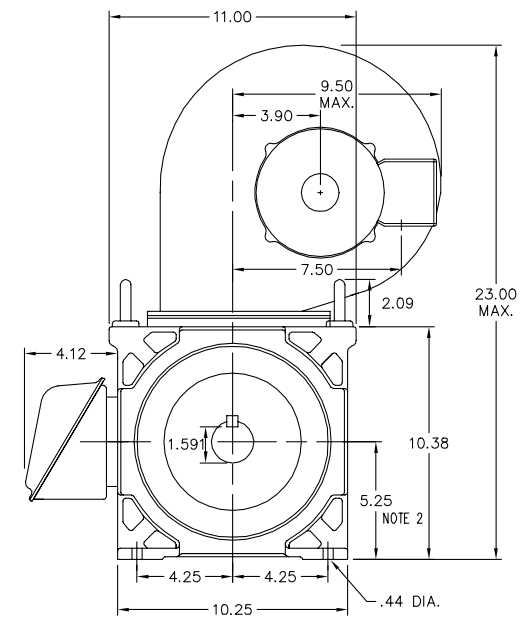
NOTE 1 TACHOMETER MOUNTING
 1/2-13 TAP, .88 DEEP, ON A 7.25 DIA. BOLT CIRCLE
 FACE RUNOUT AND ECCENTRICITY .004 MAX. T.I.R.

NOTE 2 SHAFT HEIGHT WILL NOT BE EXCEEDED.
 SHIMS UP TO .03 INCHES IN THICKNESS ARE USUALLY
 REQUIRED FOR COUPLED OR GEARED MACHINES.

TERMINAL BOX MAY BE LOCATED F1 OR F2 IF SPECIFIED
 61 AMP STEEL TERMINAL BOX SHOWN
 REFER TO 616779-50 FOR SPECIFIC TERMINAL BOX DIMENSIONS

**RPMAC VARIABLE SPEED ALTERNATING CURRENT MOTOR
 RL & URL2162Z**

COOLING: FORCE VENTILATED
 ACCESSORIES: PROVISIONS FOR
 TACHOMETER MOUNTING
 ONLY WHEN SPECIFIED



MOTOR WEIGHT 305 LBS. (MAY VARY 15%)
 BLOWER ASSEMBLY CAN BE LOCATED TOP or SIDES.
 BLOWER & TERMINAL BOX MAY NOT BE LOCATED ON SAME SIDE.
 REFER TO 616779-51 FOR SPECIFIC TACHOMETER DIMENSIONS

DIMENSIONS ARE IN INCHES SCALE 1:1

617202-001

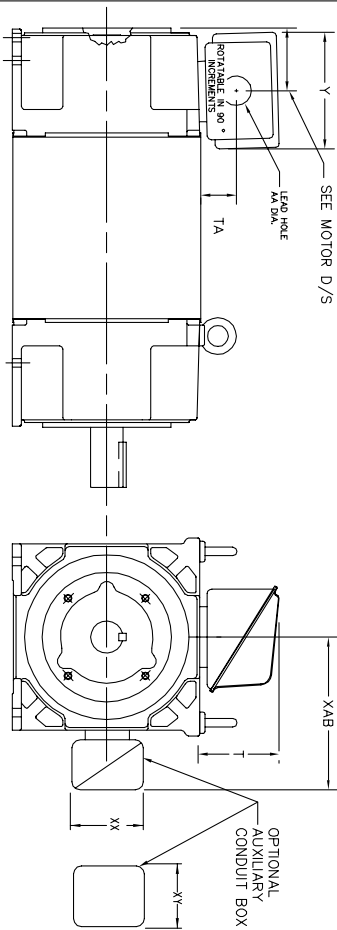
CUSTOMER IS RESPONSIBLE FOR DETERMINING THAT BALDOR'S PRODUCT WILL PERFORM SUITABLY IN THE INTENDED APPLICATION.

REV. DESC: ADDING CORRECT BLOWER MOTOR.			BALDOR DIM SHT RPMAC DPFV RL & URL2162Z PROV FOR TACH SH 1 of 1
REV. LTR: A	VERSION: 01	TDR: 00000760692	
FILE: \RGG\00003\004	REVISED: 09:29:48 08/21/2012	BY: RGGJGG	
MTL: -			

616779-050

INDUSTRIAL ALTERNATING CURRENT MOTORS RPM AC

STEEL, CAST IRON, MILL AND TERMINAL BOARD CONDUIT BOX DIMENSIONS
NEMA FRAMES RL210 thru RL280 and IEC FRAMES RDL132 thru RDL180
NEMA FRAMES FL180 thru FL280 and IEC FRAMES FDL112 thru FDL180



TERMINAL BOX	Y	TA	T	AA	MAX AMP	REMARKS
706310-63B	14.39	7.43	12.15	--	400	TERMINAL STRIP
706310-226R	9.00	3.06	5.40	Pg36 & Pq16	160	TERMINAL STRIP
706310-225R	7.25	2.30	4.40	Pg29 & Pq16	100	TERMINAL STRIP
706310-56B	9.00	3.06	5.40	Pg36 & Pq16	160	TERMINAL STRIP
706310-56A	7.75	2.30	4.40	Pg29 & Pq16	100	TERMINAL STRIP
706320-14D	15.00	7.56	12.81	5	510	CAST IRON
706320-13A	10.50	4.88	9.00	4.0 TAP	210	CAST IRON
706320-12B	9.25	4.81	8.56	3	140	CAST IRON
75460-62B	7.25	2.50	5.25	1.5 TAP	110	CAST IRON
706320-4C	5.75	2.38	4.38	1.0 TAP	60	CAST IRON FL180 ONLY
706310-3E	16.00	4.40	7.81	3	590	MILL
706310-3X	8.00	2.38	5.00	--	160	MILL
702658-1G	14.62	7.56	12.70	5	500	STEEL
706320-16A	9.00	4.12	8.44	4.59	305	STEEL
706320-9A	7.25	3.50	7.06	2.50	160	STEEL
75454-1AJ	7.69	2.38	5.25	1.94	121	STEEL
75452-B	6.34	2.00	4.12	1.75	61	STEEL
75452-G	6.34	2.00	4.12	--	61	SPECIAL
706320-5A	6.12	2.38	4.38	1.75/2.00	75	STEEL FL180 ONLY
706320-3A	5.00	1.62	3.00	1.12	40	STEEL FL180 ONLY
706320-7A	7.62	2.00	7.00	2.5/3.0	208	STEEL FL180 ONLY

FRAME SIZE	XAB	OPTIMAL AUXILIARY CONDUIT BOX DIMENSIONS (MAXIMUM)				PART NUMBER			
		XX	XY	XX	XY				
FL210/FL132/RL210/RL132	7.38	4.25	4.25	6.0200-26-A	FL210/FL132/RL210/RL132	10.88	8.00	8.00	706310-3-B
FL230/FL150/RL230/RL150	8.44	4.23	4.23	6.0200-26-A	FL230/FL150/RL230/RL150	11.88	8.00	8.00	706310-3-B
FL280/FL180/RL280/RL180	9.12	4.23	4.23	6.0200-26-A	FL280/FL180/RL280/RL180	12.62	8.00	8.00	706310-3-B

- (1) 'AA' CONDUIT
- (2) 'AA' PIPE TAP
- (3) CUSTOMER TO PROVIDE HOLE FOR CONDUIT.
- (4) 'E' DN 'SA' OR 'I' TAP DN '4C'

TERMINAL BOX CAN BE ROTATED FOR LEAD OUTLET AT TOP, SIDES OR BOTTOM.
TERMINAL BOX LOCATED ON OPPOSITE SIDE WHEN F-2, W-1, W-4, W-5, W-7,
OR C-1 MOUNTING IS SPECIFIED. BOX LOCATED ON TOP WHEN SPECIFIED.

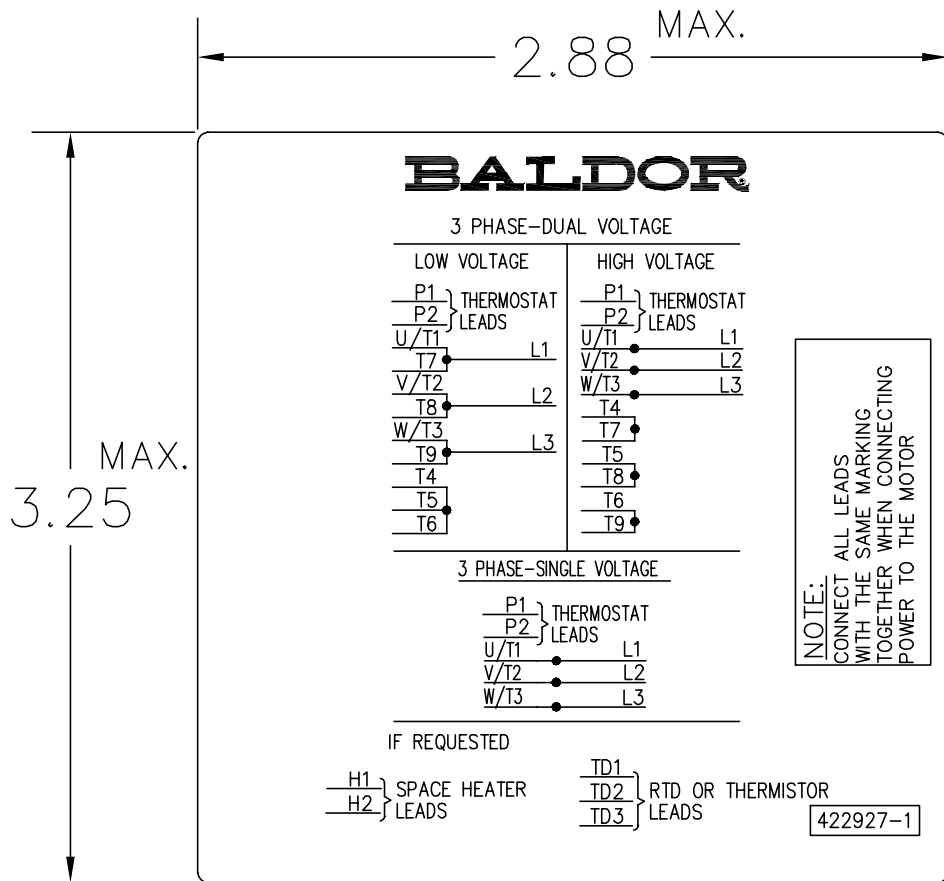
050-6671919

CUSTOMER IS RESPONSIBLE FOR DETERMINING THAT BALDOR'S PRODUCT WILL PERFORM SUITABLY IN THE INTENDED APPLICATION.

REV. DESC: BOX # 706320-9A, CHANGE AA DIM FROM 2 TO 2.50	TDR: 000000785386
REV. LTR: C	VERSION: 03
FILE: \RGG\00003\692	REVISED: 08:40:55 02/11/2013
MTL: -	BY: RGGWT

BALDOR
DIM SHT NEMA RL210-RL280 FL180-FL280 IEC RDL132-RDL180
SH 1 of 1

422927-001



NOTE:
DATA TO BE SIZED
SO THAT IT FITS INTO
MATERIAL DECAL
DIMENSIONS. MAKE
LETTERS & NUMBERS
AS LARGE AS POSSIBLE.

MATERIAL: CERAMATIC DGF-P4
PERMA GRIP ADHESIVE

ALL LETTERS, NUMBERS
AND LINES TO BE BLACK
ON WHITE BACKGROUND.

NOTE:
CONNECT ALL LEADS
WITH THE SAME MARKING
TOGETHER WHEN CONNECTING
POWER TO THE MOTOR

422927-001

REV. DESC: CHANGE BACKGROUND COLOR FROM GOLD TO WHITE		
REV. LTR: B	VERSION: 02	TDR: 000000788708
FILE: \RGG\00000\203	REVISED: 08:09:29 03/04/2013	
MTL: -	BY: RGGWT	

BALDOR

EXTERNAL CONNECTION LABEL

SH 1 of 1

Marketing maintained PDF of MN406:

<http://www.baldor.com/support/Literature/Load.ashx/MN406?ManNumber=MN406>