



BALDOR® • RELIANCE

Product Information Packet

IDGM2302

G.M. T16DA 230V AC 90:1 IDGM2302

Part Detail							
Revision:	F	Status:	PRD/A	Change #:		Proprietary:	No
Type:	AC	Prod. Type:	2416M	Elec. Spec:	24WGW254	CD Diagram:	CD0006A16
Enclosure:	TENV	Mfg Plant:		Mech. Spec:		Layout:	24E616W254G1
Frame:	DB	Mounting:		Poles:	04	Created Date:	10-03-2013
Base:		Rotation:	R	Insulation:	F	Eff. Date:	05-18-2016
Leads:	3#18					Replaced By:	
Literature:		Elec. Diagram:					

Nameplate NP1598A15							
CAT.NO.	IDGM2302	SER.NO					
SPEC.	24E616W254G1						
VOLTS	230						
MAG CUR	.34	SL HZ	4				
RPM	1650	RPM MAX	2677				
HP	.065HP	HZ	60	PH	3	CLASS	F
FLA	.41	WK2	0.0032				
RATING	40C AMB-CONT						
RATIO	90:1	OUT/RPM	18.1				
TORQ/IN LB	75						
VTSR	6:1						
APRV-CSA	<input type="checkbox"/>	APRV-UL	<input type="checkbox"/>				

Parts List		
Part Number	Description	Quantity
SA271069	SA 24E616W254G1	1.000 EA
RA257700	RA 24E616W254G1	1.000 EA
SR002255	SR 24E616W254G1	1.000 EA
WR000493	WR 24E616W254G1	1.000 EA
LC0006	CONNECTION LABEL	1.000 EA
24EP3108A01G	EP,24AC DE CL R8 RA	1.000 EA
HW5002A44	N5002-112 RET RING INTERNBEVELED F/6001	1.000 EA
HW4600G70	SEAL .500" X .875" X .200 SGL LIP FT802	1.000 EA
24CB3000A	CONDUIT BOX - MODEL 24	1.000 EA
XY0632A05	NUT, #6-32 SELF LOCKING	2.000 EA
XY0632A04	NUT, #6-32 ACORN, HIGH CROWN	1.000 EA
24CB3500A	CONDUIT BOX LID W/BALDOR LOGO	1.000 EA
15XP0619A08	#6-19X1/2 PAN HD PHILLIPS PLASTITE 48-2	4.000 EA
24EP3100A05G	EP,24AC ODE CL NONE	1.000 EA
HW5109A08	WASHER, WAVE SPRING FOR 30MM BORE SMALLE	1.000 EA
55XT0632G03	6-32 X 0.187 RD HD PHILLIPS, SERRATED	1.000 EA
HA3199A90	THRU-BOLT PAN HEAD 8-32 X 5.625	2.000 EA
HW3030A85	#8-32 UNC-3B ELASTIC STOPNUT TDR#21624	2.000 EA
HG0058A04G	HSG,DB EX OPEN OUTPUT 4 HOLE MOUNT #1	1.000 EA
RM1057	RUBBER SQUARE RING 1.424 I.D.	1.000 EA
HA1194B02	BLADDER,BDE EXPANSION	1.000 EA
15XM0632A06	SCREW, 6-32X .375, THREAD FORMING	3.000 EA
BH1104	PAPZ0808-P14 SLEEVE BRG	2.000 EA
HW4600C29	SEAL, TCM #0507416 SCW .50X.75X.165 RB	1.000 EA

Parts List (continued)		
Part Number	Description	Quantity
19XN1032A12	SCREW, HEX WASHER HEAD, #10-32 X .750	4.000 EA
MJ5019A01	ADHESIVE LOCTITE #680 WAS BAD4525	0.001 EA
BCG1123-005G	BS,D OP BUSHING	1.000 EA
BH1104	PAPZ0808-P14 SLEEVE BRG	1.000 EA
RM1020A51	O-RING -030 BUNA N70 COMPOUND	1.000 EA
HA4032A01	STEEL CAP, .750"OD(HERSHEYWAS BSE1567	1.000 EA
15XM0632A06	SCREW, 6-32X .375, THREAD FORMING	3.000 EA
BCG1123-005G	BS,D OP BUSHING	1.000 EA
HW1034A02	WASHER,BUNA N 3/4"X9/16"X1/32"STD WASHER	1.000 EA
BH1104	PAPZ0808-P14 SLEEVE BRG	1.000 EA
HW4600C29	SEAL, TCM #0507416 SCW .50X.75X.165 RB	1.000 EA
RM1020A51	O-RING -030 BUNA N70 COMPOUND	1.000 EA
15XM0632S06	SCREW, PAN HD PHLPS DRV 6-32 X .375 THRD	3.000 EA
BBA1012G	BBA1012-PAINTED	1.000 EA
15XN1032A08	SCREW PAN HD 10-32 X 1/2 (PHILLIPS)	4.000 EA
HW1004A10	WASHER,LOCK,#10 INT. TOOTH	4.000 EA
MJ1000C13	SYN-TECH GREASE NS-3614-G	0.030 LB
NP1598A15	NP,AC INV AD NONE V CSA UL GEAR MO VTSR	1.000 EA
LB1451	WARNING LABEL, CE WARNING SYMBOLS ONLY	1.000 EA
MN416A01	TAG-INSTAL-MAINT no wire (1200/bx) 11/14	1.000 EA
CPA1000	PACKING GROUP STD. SINGLE	1.000 EA

AC Induction Motor Performance Data

Record # 45266 - Typical performance - not guaranteed values

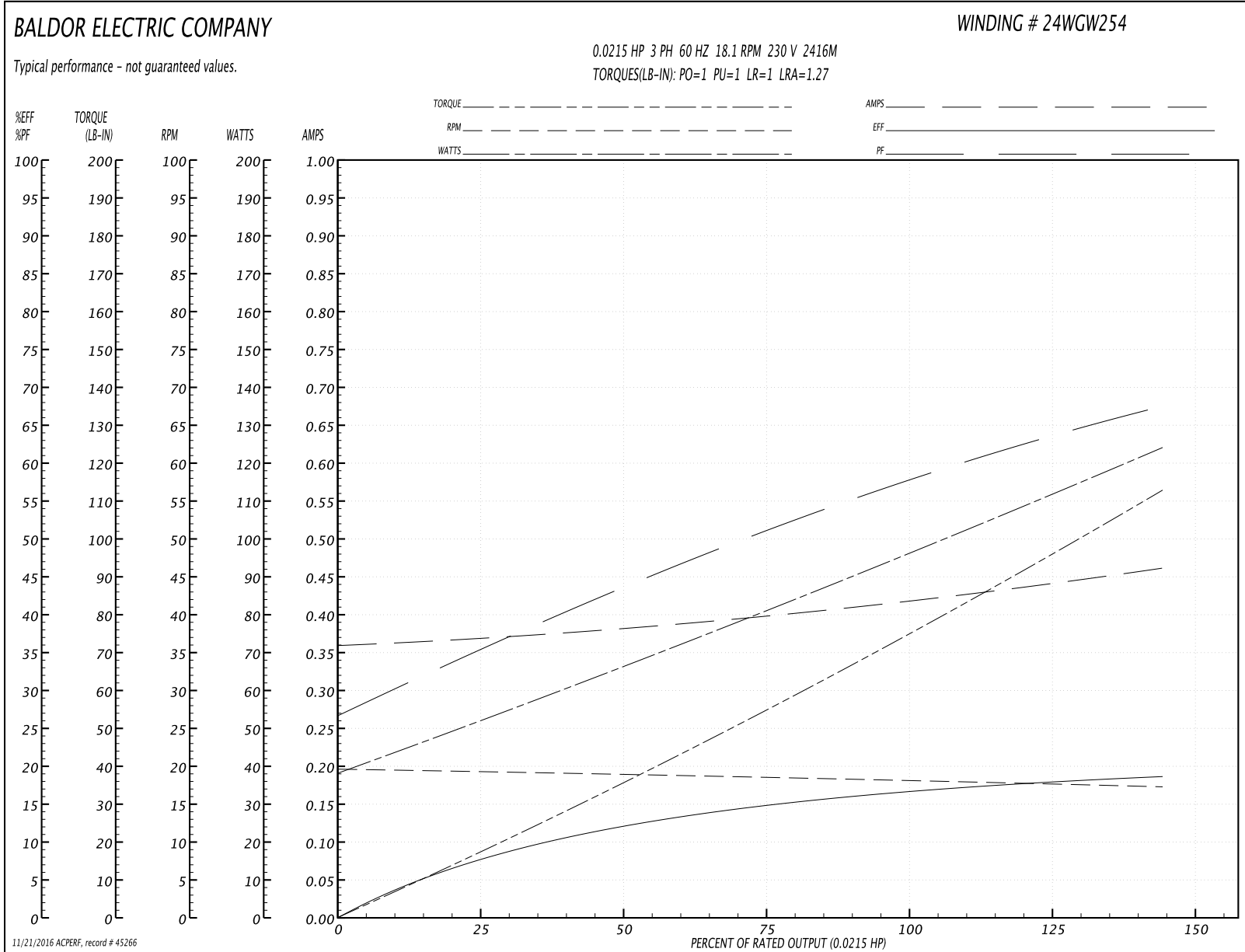
Winding: 24WGW254-R003 Gear Type: RIGHTANGLE	Type: 2416M Gear Style: DB	Enclosure: TENV Gear Ratio: 90:1
---	---	---

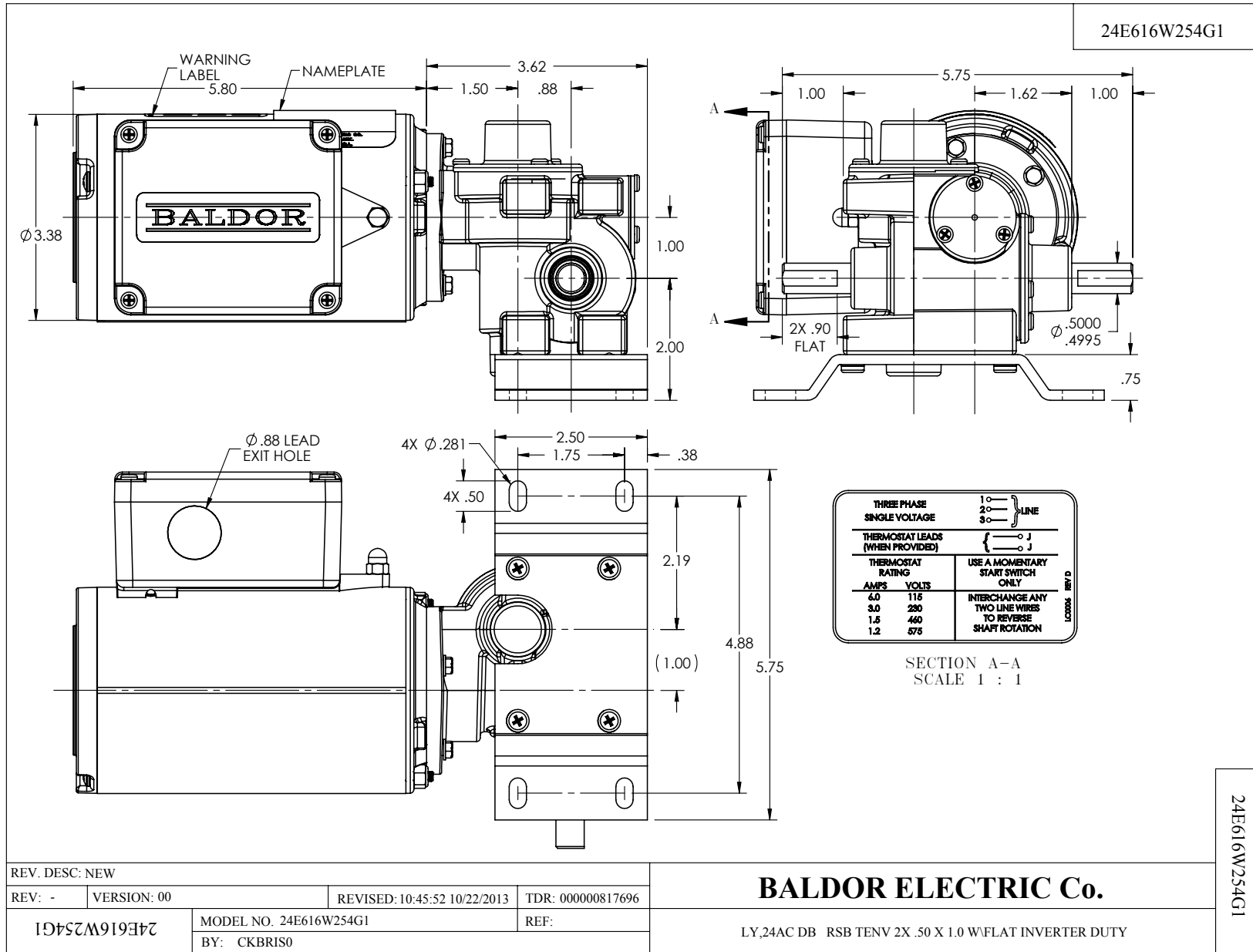
Nameplate Data				230 V, 60 Hz: Single Voltage Motor	
Rated Output (HP)	.065			Full Load Torque	75 LB-IN
Volts	230			Start Configuration	direct on line
Full Load Amps	.41			Breakdown Torque	1 LB-IN
R.P.M.	18.1			Pull-up Torque	1 LB-IN
Hz	60	Phase	3	Locked-rotor Torque	1 LB-IN
NEMA Design Code	-	KVA Code	P	Starting Current	1.27 A
Service Factor (S.F.)	1			No-load Current	0.36 A
NEMA Nom. Eff.	53	Power Factor	54	Line-line Res. @ 25°C	46.811 Ω
Rating - Duty	40C AMB-CONT			Temp. Rise @ Rated Load	

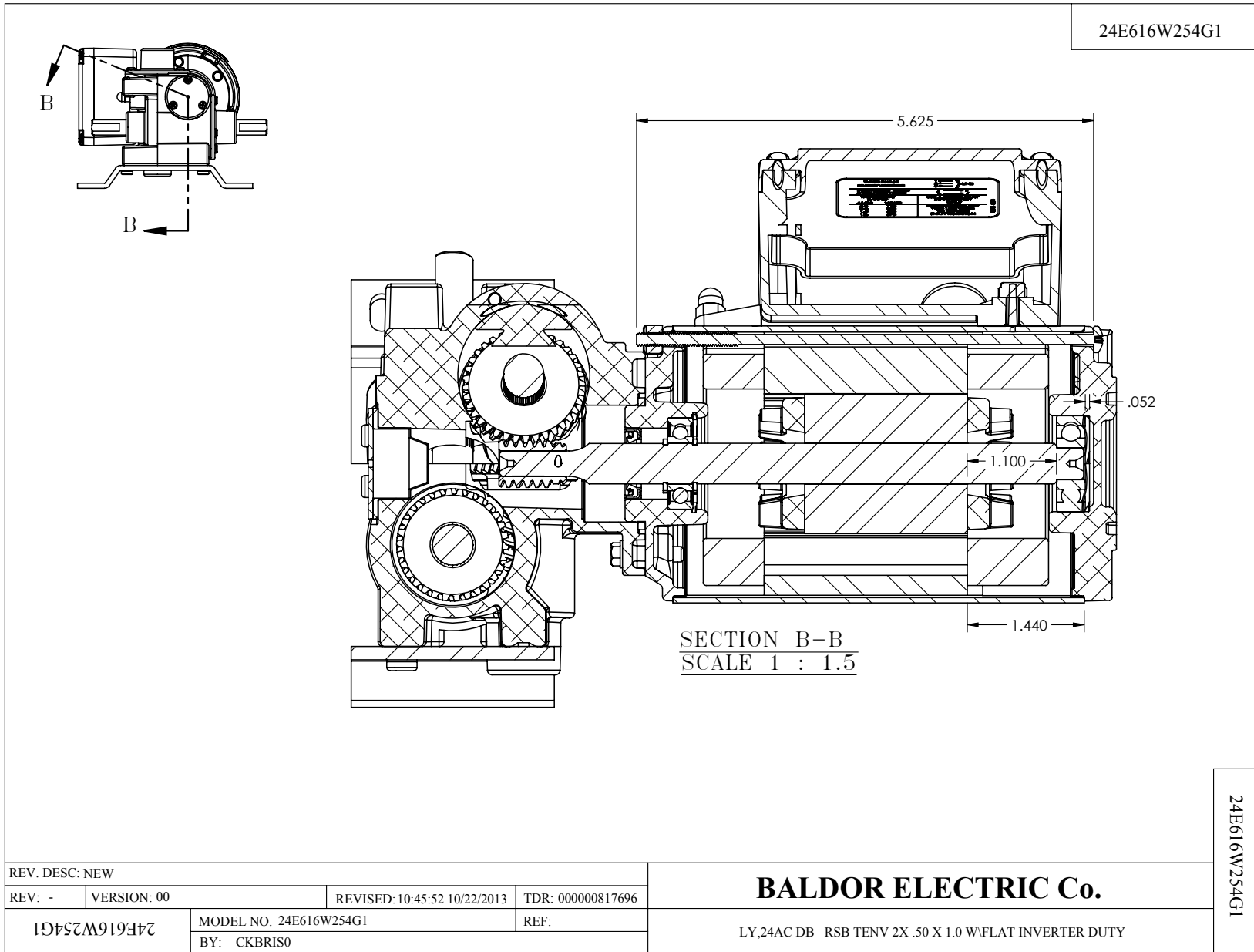
Load Characteristics 230 V, 60 Hz, 0.0215 HP

% of Rated Load	25	50	75	100	125	150
Power Factor	37	44	51	57	63	67
Efficiency	7.8	12.4	15.1	16.8	17.7	18.6
Speed	19.3	18.9	18.5	18.1	17.7	17.3
Line amperes	0.37	0.38	0.4	0.42	0.44	0.46

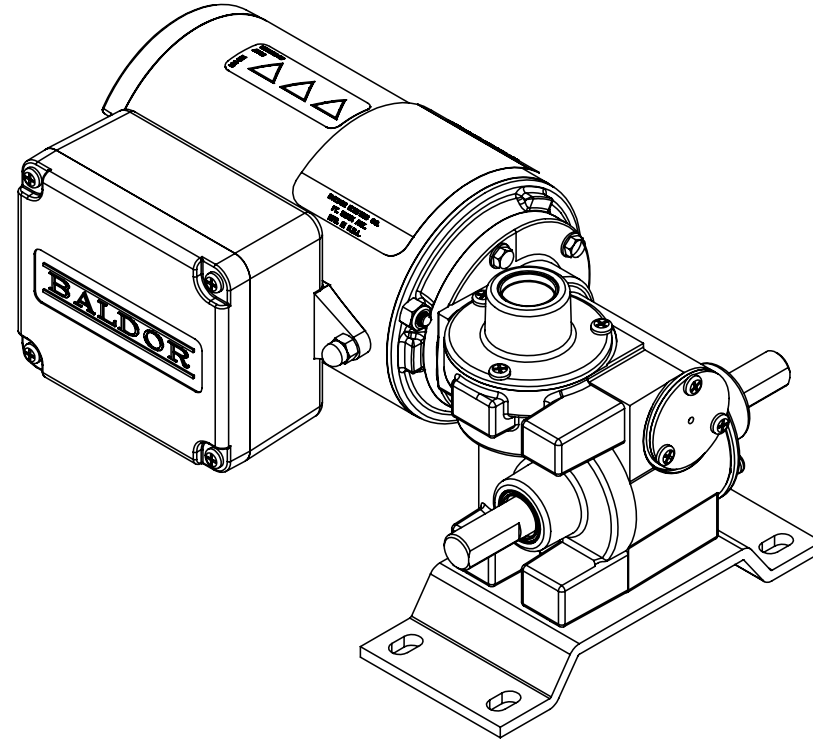
Performance Graph at 230V, 60Hz, 0.0215HP Typical performance - Not guaranteed values







ITEM NO.	PART NUMBER	QTY.
1	24EP3108A01	1
2	BG6R8	1
3	HW5002A44	1
4	HW4600D35	1
5	24SH4001B01	1
6	24RC4016A00	1
7	HW5060A27	3
8	WM0053A09	1
9	HW3082B05	1
10	SKF - 6200 - 8,DE,NC,8_68	1
11	24SB0041B02	1
12	24CB3000A	1
13	24CB3500A	1
14	15XP0619A08	4
15	24EP3100A05	1
16	HW5109A08	1
17	55XT0632G03	1
18	HA3199A90	2
19	XY0832A05A01	2
20	HG0058A04	1
21	RM1057	1
22	HA1194B02	1
23	15XM0632A06	9
24	BH1104	4
25	HW4600C29	2
26	19XN1032A12	4
27	WM0078A04	1
28	BCG1123-005	2
29	BGE4336	1
30	RM1020A51	2
31	HW1034A02	2
32	HA4032A01	1
33	BSG2743	1
34	BGE4298	1
35	BBA1012	1
36	15XN1032A08	4
37	HW1004A10	4
38	25BLDC DOM	1
39	LB1451, 24AC RSB	1
40	LC0006	1
41	XY0632A05	2
42	XY0632A04	1



24E616W254G1

24E616W254G1

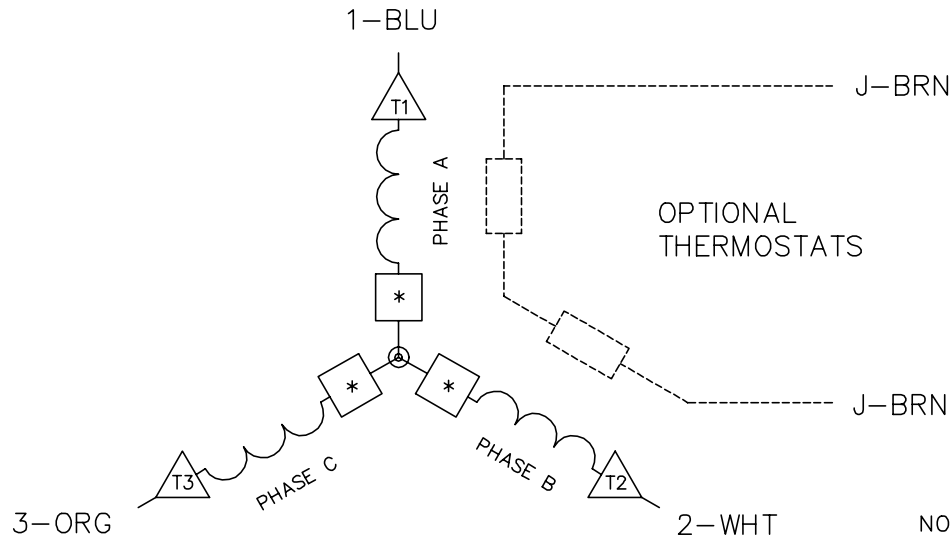
REV. DESC: NEW			
REV: -	VERSION: 00	REVISED: 10:45:52 10/22/2013	TDR: 000000817696
24E616W254G1		MODEL NO. 24E616W254G1	REF:
		BY: CKBRIS0	

BALDOR ELECTRIC Co.

LY,24AC DB RSB TENV 2X .50 X 1.0 W/FLAT INVERTER DUTY

CD0006A16

TYPICAL WYE-CONNECTED MOTOR



NOTES:

1. THREE LEAD MOTOR MAY BE EITHER WYE CONNECTED OR DELTA CONNECTED.
2. INTERCHANGE ANY TWO LINE LEADS TO REVERSE ROTATION.
3. OPTIONAL THERMOSTATS ARE PROVIDED WHEN SPECIFIED.
4. ACTUAL NUMBER OF INTERNAL PARALLEL CIRCUITS MAY VARY.
5. LEAD COLORS ARE OPTIONAL. LEADS MUST BE NUMBERED AS SHOWN.
6. = MAGNET WIRE COIL END WITH I.D. NUMBER.
 = MAGNET WIRE COIL END WITH I.D. SYMBOL.
7. REFERENCE CW PRINT FOR NEST TO NEST CROSSOVER CONNECTIONS.

CD0006A16

REV. DESC: REMOVE DELTA CONNECTION		
REV. LTR: C	VERSION: 03	TDR: 000000977108
FILE: \CKA\00024\426	REVISED: 09:42:02 08/16/2016	BY: CKPAUDO
MTL: -	© □	

BALDOR

3PH, SV, 3 LEADS, WYE CONNECTED, CK

SH 1 of 1