

# **BALDOR**® • *RELIANCE*

## **Product Information Packet**

# **IDGM2402**

**G.M. T16FA 230V AC 10:1 170 RPM W/BASE**

Part Detail							
Revision:	F	Status:	PRD/A	Change #:		Proprietary:	No
Type:	AC	Prod. Type:	2416M	Elec. Spec:	24WGW254	CD Diagram:	CD0006A16
Enclosure:	TENV	Mfg Plant:		Mech. Spec:		Layout:	24E617W254G2
Frame:	FTA	Mounting:		Poles:	04	Created Date:	09-23-2013
Base:		Rotation:	R	Insulation:	F	Eff. Date:	06-04-2015
Leads:	3#18					Replaced By:	
Literature:		Elec. Diagram:					

## Nameplate NP1598A15

CAT.NO.	IDGM2402	SER.NO					
SPEC.	24E617W254G2						
VOLTS	230						
MAG CUR	.34	SL HZ	3.33				
RPM	1700	RPM MAX	2672				
HP	.04HP	HZ	60	PH	3	CLASS	F
FLA	.35	WK2	0.0032				
RATING	40C AMB-CONT						
RATIO	10:1	OUT/RPM	170				
TORQ/IN LB	9						
VTSR	6:1						
APRV-CSA	<input type="checkbox"/>	APRV-UL	<input type="checkbox"/>				

Parts List		
Part Number	Description	Quantity
SA270058	SA 24E617W254G2	1.000 EA
RA256701	RA 24E617W254G2	1.000 EA
SR002243	SR 24E617W254G2	1.000 EA
LC0006	CONNECTION LABEL	1.000 EA
24EP3100A09G	EP,24AC DE CL 6200 FTA EXT.	1.000 EA
HW5002A45	RETAINING RING,WALDES TRUARC N5002-118	1.000 EA
WM0094A02	WORM,FTA 10.0	1.000 EA
HW4600C45	FORSHEDA # V-10 S NITRILESLINGER	1.000 EA
24CB3000A	CONDUIT BOX - MODEL 24	1.000 EA
XY0632A05	NUT, #6-32 SELF LOCKING	2.000 EA
XY0632A04	NUT, #6-32 ACORN, HIGH CROWN	1.000 EA
24CB3500A	CONDUIT BOX LID W/BALDOR LOGO	1.000 EA
15XP0619A08	#6-19X1/2 PAN HD PHILLIPS PLASTITE 48-2	4.000 EA
24EP3100A05G	EP,24AC ODE CL NONE	1.000 EA
HW5109A08	WASHER, WAVE SPRING FOR 30MM BORE SMALLE	1.000 EA
55XT0632G03	6-32 X 0.187 RD HD PHILLIPS, SERRATED	1.000 EA
HA3199A84	THRU-BOLT PAN HEAD 8-32 X 5.250	2.000 EA
HW3030A85	#8-32 UNC-3B ELASTIC STOPNUT TDR#21624	2.000 EA
BHG1253-004G	HSG,FTA EX W/GREY POWDER COAT	1.000 EA
GS0005	GASKET "FTA" 1.250 I.D. BGA1210	1.000 EA
BH1152A02	SLEEVE BRG. PAP0812-P14 8MM X 10MM X 12	1.000 EA
HW4600D26	SEAL, TCM #031051VC (.312" X .500"	1.000 EA
HW4600D26	SEAL, TCM #031051VC (.312" X .500"	1.000 EA
51XT0632A06	6-32X3/8 TY23 HXWS SLDSR	3.000 EA

<b>Parts List (continued)</b>		
<b>Part Number</b>	<b>Description</b>	<b>Quantity</b>
MJ1000C13	SYN-TECH GREASE NS-3614-G	0.010 LB
BMH1507	6-32 X 1/2 BD/HD"W INTERNAL TOOTH WSHR	3.000 EA
BCG1121-003G	CAP,FTA GEARHEAD W/GREY POWDER COAT	1.000 EA
GS0006	GASKET "FTA" 1.438 I.D. BGA1212	1.000 EA
BH1152A02	SLEEVE BRG. PAP0812-P14 8MM X 10MM X 12	1.000 EA
NP1598A15	NP,AC INV AD NONE V CSA UL GEAR MO VTSR	1.000 EA
MN416A01	TAG-INSTAL-MAINT no wire (1200/bx) 11/14	1.000 EA
LB1451	WARNING LABEL, CE WARNING SYMBOLS ONLY	1.000 EA
CPA1000	PACKING GROUP STD. SINGLE	1.000 EA

**AC Induction Motor Performance Data**

Record # 45270 - Typical performance - not guaranteed values

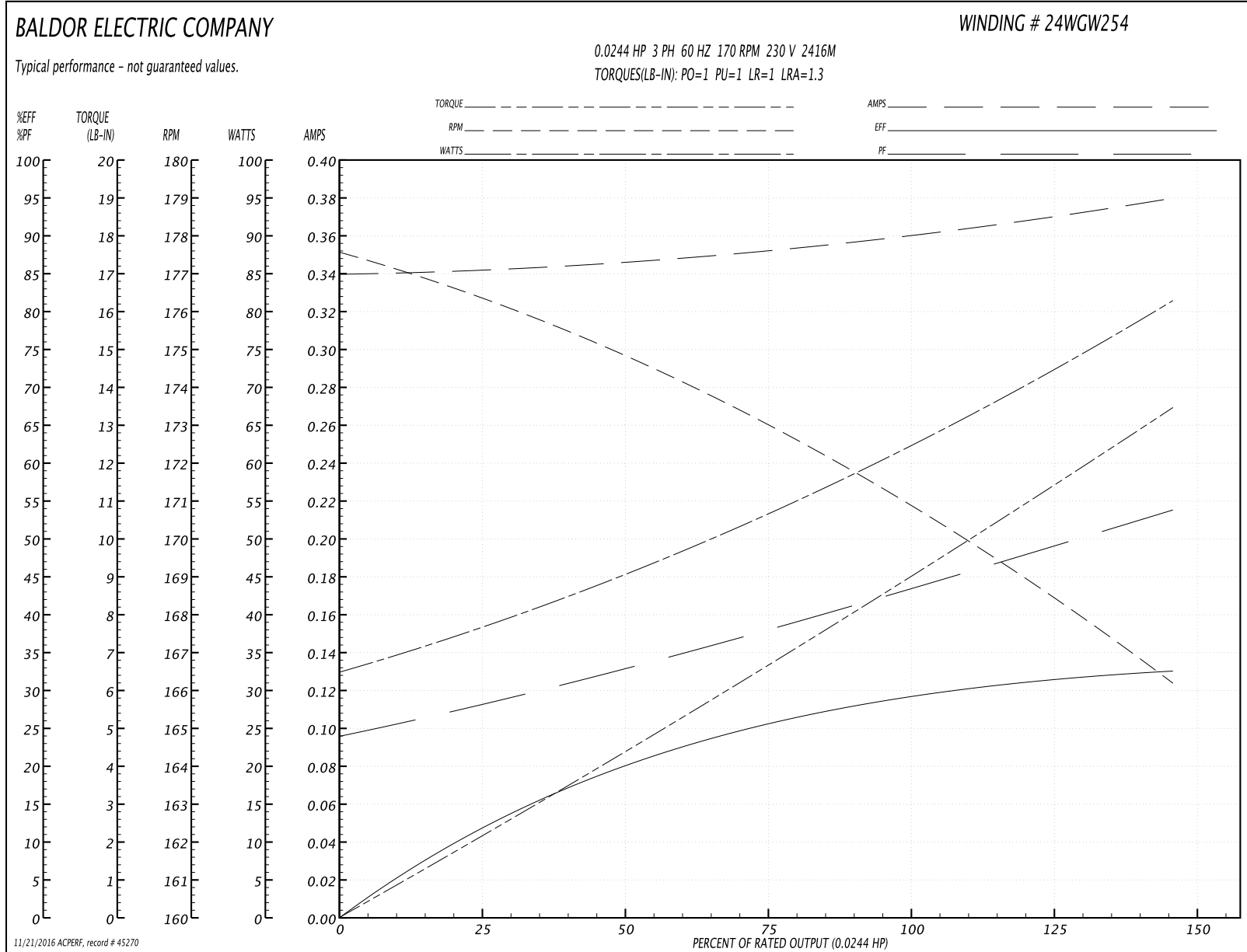
<b>Winding:</b> 24WGW254-R001 <b>Gear Type:</b> RIGHTANGLE	<b>Type:</b> 2416M <b>Gear Style:</b> FTA	<b>Enclosure:</b> TENV <b>Gear Ratio:</b> 10:1
---	--	---

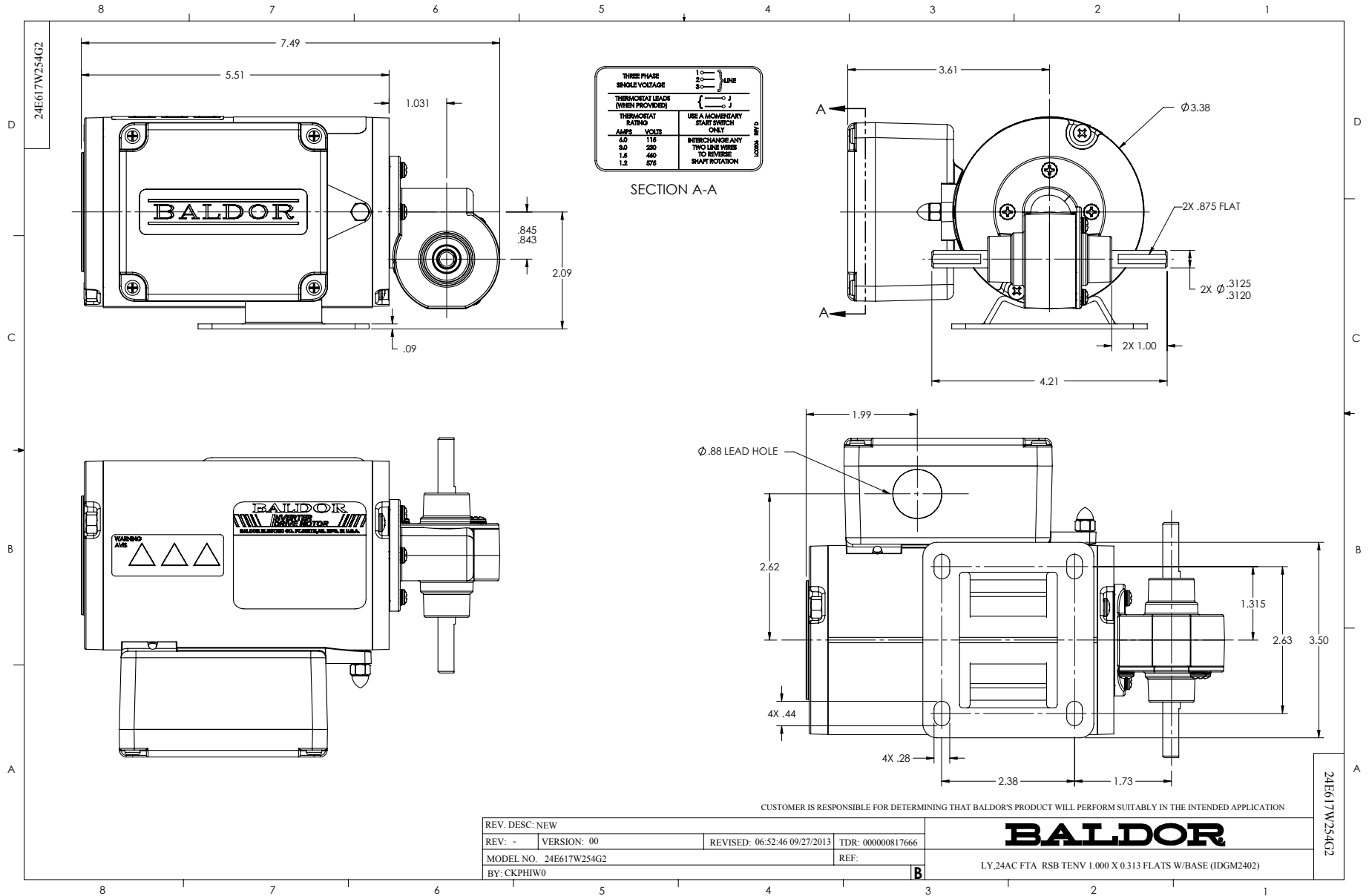
Nameplate Data				230 V, 60 Hz: Single Voltage Motor	
Rated Output (HP)	.04			Full Load Torque	9 LB-IN
Volts	230			Start Configuration	direct on line
Full Load Amps	.35			Breakdown Torque	1 LB-IN
R.P.M.	170			Pull-up Torque	1 LB-IN
Hz	60	Phase	3	Locked-rotor Torque	1 LB-IN
NEMA Design Code	-	KVA Code	P	Starting Current	1.3 A
Service Factor (S.F.)	1			No-load Current	0.34 A
NEMA Nom. Eff.	48	Power Factor	43	Line-line Res. @ 25°C	83.311 Ω
Rating - Duty	40C AMB-CONT			Temp. Rise @ Rated Load	

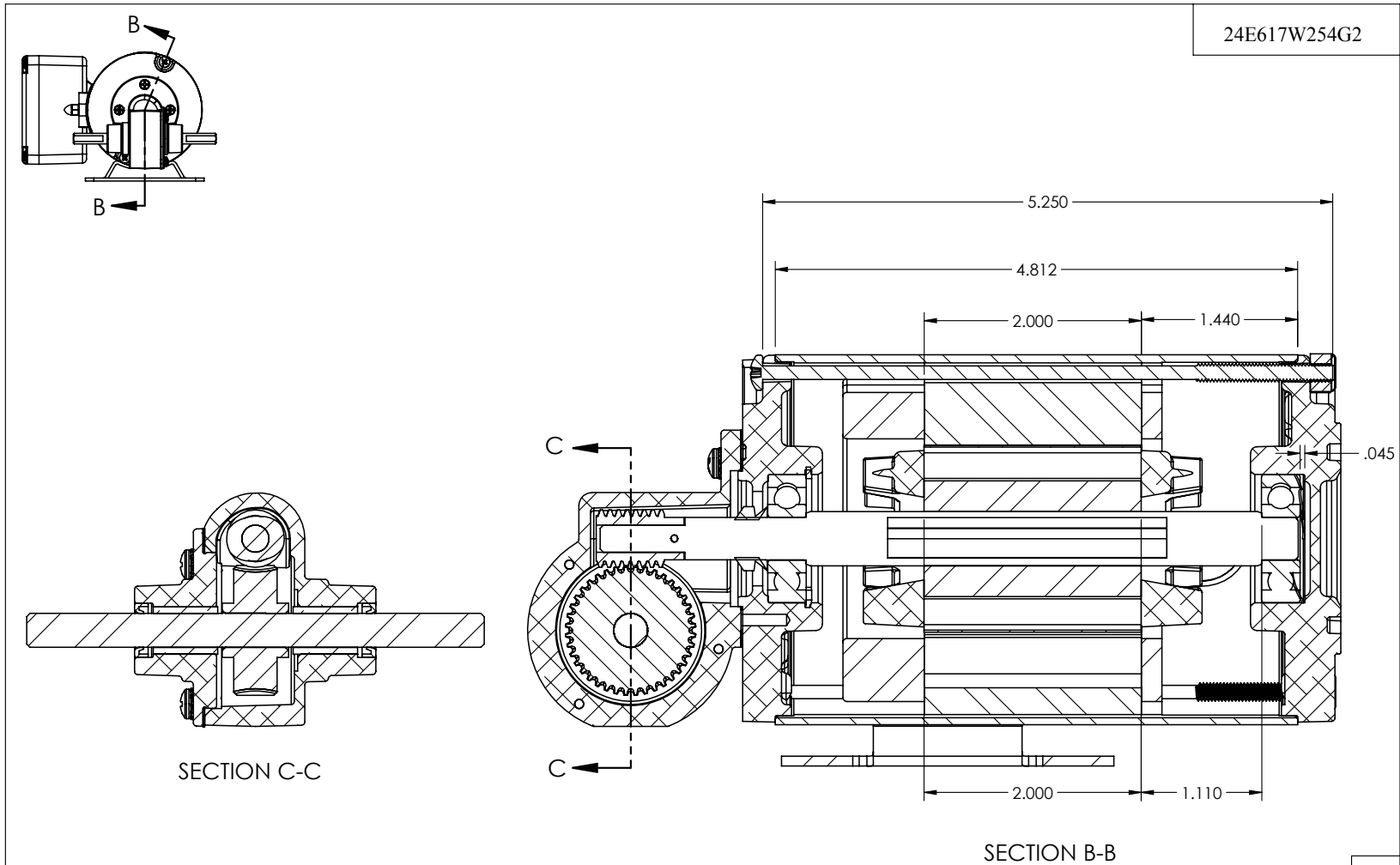
Load Characteristics 230 V, 60 Hz, 0.0244 HP

% of Rated Load	25	50	75	100	125	150
Power Factor	27	33	39	44	49	53
Efficiency	12.8	20.5	25.6	28.8	31.1	32.8
Speed	177	175	172	171	169	166
Line amperes	0.34	0.35	0.35	0.36	0.37	0.38

Performance Graph at 230V, 60Hz, 0.0244HP Typical performance - Not guaranteed values







CUSTOMER IS RESPONSIBLE FOR DETERMINING THAT BALDOR'S PRODUCT WILL PERFORM SUITABLY IN THE INTENDED APPLICATION

REV. DESC: NEW			
REV: -	VERSION: 00	REVISED: 06:52:46 09/27/2013	TDR: 000000817666
24E617W254G2	MODEL NO. 24E617W254G2		REF:
	BY: CKPHIW0		

**BALDOR**

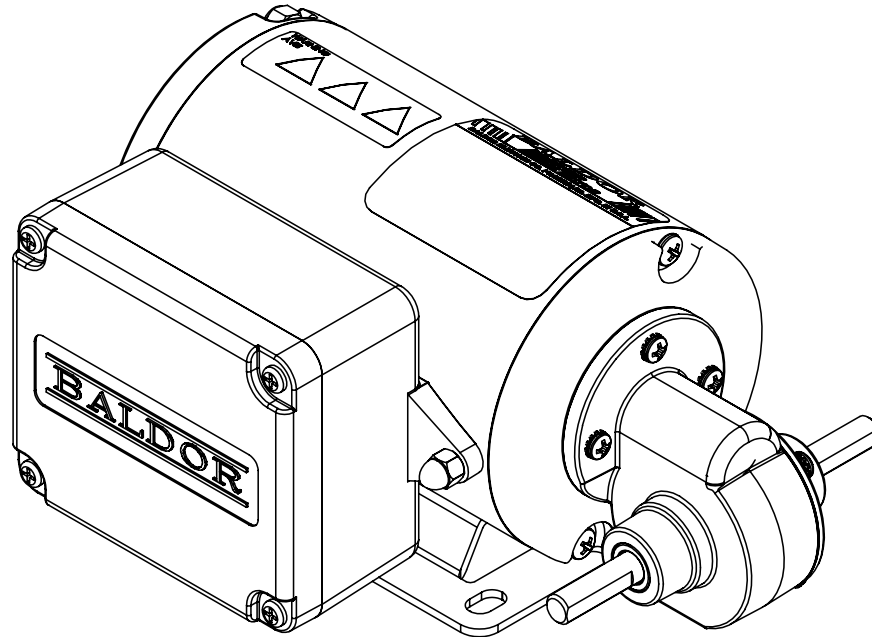
LY,24AC FTA RSB TENV 1.000 X 0.313 FLATS W/BASE (IDGM2402)

24E617W254G2

ITEM NO.	PART NUMBER	QTY.
1	24EP3100A09	1
2	BG6200C03	2
3	HW5002A45	1
4	24SH2514A01	1
5	24RC4016A00	1
6	WM0094A02	1
7	HW3022A04	1
8	HW4600C45	1
9	24SB0036A46	1
10	24CB3000A	1
11	XY0632A05	2
12	XY0632A04	1
13	24CB3500A	1
14	15XP0619A08	4
15	24EP3100A05	1
16	HW5109A08	1
17	55XT0632G03	1
18	HA3199A84	2
19	HW3030A85	2
20	GS0005	1
21	BHG1253-001	1
22	BH1161A01	2
23	HW4600D26	2
24	BMH1507	3
25	GS0006	1
26	BCG1121-001	1
27	BMH1508	3
28	SH0122A05	1
29	GE0109A11	1
30	NP1598A15	1
31	LB1451	1
32	LC0006	1

CUSTOMER IS RESPONSIBLE FOR DETERMINING THAT BALDOR'S PRODUCT WILL PERFORM SUITABLY IN THE INTENDED APPLICATION

24E617W254G2



24E617W254G2

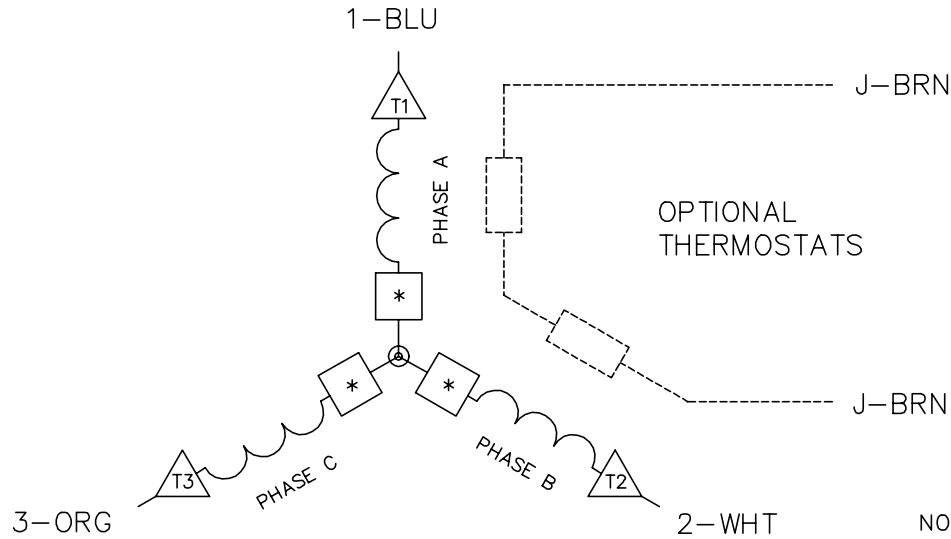
REV. DESC: NEW			
REV: -	VERSION: 00	REVISED: 06:52:46 09/27/2013	TDR: 000000817666
24E617W254G2		MODEL NO. 24E617W254G2	REF:
		BY: CKPHIW0	

**BALDOR**



LY,24AC FTA RSB TENV 1.000 X 0.313 FLATS W/BASE (IDGM2402)

CD0006A16

TYPICAL WYE-CONNECTED MOTOR



NOTES:

1. THREE LEAD MOTOR MAY BE EITHER WYE CONNECTED OR DELTA CONNECTED.
2. INTERCHANGE ANY TWO LINE LEADS TO REVERSE ROTATION.
3. OPTIONAL THERMOSTATS ARE PROVIDED WHEN SPECIFIED.
4. ACTUAL NUMBER OF INTERNAL PARALLEL CIRCUITS MAY VARY.
5. LEAD COLORS ARE OPTIONAL. LEADS MUST BE NUMBERED AS SHOWN.
6.  = MAGNET WIRE COIL END WITH I.D. NUMBER.  
 = MAGNET WIRE COIL END WITH I.D. SYMBOL.
7. REFERENCE CW PRINT FOR NEST TO NEST CROSSOVER CONNECTIONS.

CD0006A16

REV. DESC: REMOVE DELTA CONNECTION		
REV. LTR: C	VERSION: 03	TDR: 000000977108
FILE: \CKA\00024\426	REVISED: 09:42:02 08/16/2016	BY: CKPAUDO
MTL: -	© □	

**BALDOR**

3PH, SV, 3 LEADS, WYE CONNECTED, CK

SH 1 of 1