

BALDOR® • ***RELIANCE***

Product Information Packet

IDXM7142T

3HP,1755RPM,3PH,60HZ,182TC,0632M,XPFC,F1

Part Detail							
Revision:	L	Status:	PRD/A	Change #:		Proprietary:	No
Type:	AC	Prod. Type:	0632M	Elec. Spec:	06WGX181	CD Diagram:	CD0005
Enclosure:	XPFC	Mfg Plant:		Mech. Spec:	06J010	Layout:	06LYJ010
Frame:	182TC	Mounting:	F1	Poles:	04	Created Date:	12-08-2010
Base:	RG	Rotation:	R	Insulation:	F	Eff. Date:	12-23-2015
Leads:	9#16					Replaced By:	
Literature:		Elec. Diagram:					

Nameplate NP0890XPSL									
NO.					CC	010A			
S/N					TEMP CODE	T2B			
SPEC.	06J010X181G1				INV. TYPE	PWM			
CAT.NO.	IDX7142T				C HP FR	60		C HP TO	90
HP	3				CT HZ FROM	30		CT HZ TO	60
VOLTS	230/460				VT HZ FROM	6		VT HZ TO	60
AMPS	8.2/4.1				MAG CUR	4.2/2.1			
RPM	1755				MX RPM	2700			
HZ	60		PH	3	CL	F			
SER.F.	1.00		DES	B	SL HZ	1.5		WK2	0.3
FRAME	182TC		RATING	40C AMB-CONT					
	75C RISE								

Parts List		
Part Number	Description	Quantity
SA212701	SA 06J010X181G1	1.000 EA
RA199930	RA 06J010X181G1	1.000 EA
36FN3000C01	EXFN, PLASTIC, 5.25 OD, .912 ID	1.000 EA
HW3201A05	3/8-16 EYEBOLT	1.000 EA
07CB1000A02	CONDUIT BOX, MODEL 306,EXP. PROOF	1.000 EA
10XN2520A12	O1/4-20X 3/4 HEX HEAD CAP	4.000 EA
HW1001A25	LOCKWASHER 1/4, ZINC PLT .493 OD, .255 I	4.000 EA
WD1000B17	T&B CX35TN TERMINAL	1.000 EA
11XW1032G06	10-32 X .38, TAPTITE II, HEX WSHR SLTD U	1.000 EA
HW4500A19	1/4-28X1/4 SLOTTED PLUG F/S	2.000 EA
06EP1706A01	SPECIAL FRONT ENDPLATE X06M - TEFC	1.000 EA
10XN3118K20	5/16-18 X 1 1/4 GRADE 5 STEEL ZC PLATED	4.000 EA
HW1001A31	LOCKWASHER 5/16, ZINC PLT.591 OD, .319 I	4.000 EA
HW5100A05	WVY WSHR F/205 & 304 BRGS	1.000 EA
06EP1707A01	STD XP PU EP 182-4TC 206 BRG 306M	1.000 EA
51XN1032A20	10-32 X 1 1/4 HX WS SL SR	2.000 EA
HW4001A01	1/4 HX SOC PIPE PLG (F/S) ALLOY STEEL W/	2.000 EA
60XN1032A07	10-32 X 1/2 TRUSS HEAD, TORX SERRATED ZN	2.000 EA
10XN3118K20	5/16-18 X 1 1/4 GRADE 5 STEEL ZC PLATED	4.000 EA
HW1001A31	LOCKWASHER 5/16, ZINC PLT.591 OD, .319 I	4.000 EA
06FH1003A01	FAN COVER, CAST X-PROOF--MACHINING	1.000 EA
51XN1032A14	10-32 X 0.875 HX WS SL SR	4.000 EA
07CB1500A01	CONDUIT BOX LID MACH	1.000 EA
10XN2520A16	1/4-20 X 1 HEX HEAD CAP SCR, ZINC PLATED	4.000 EA

Parts List (continued)		
Part Number	Description	Quantity
HW1001A25	LOCKWASHER 1/4, ZINC PLT .493 OD, .255 I	4.000 EA
HW2501E16	3KEY, 1/4 SQ X 1.750	1.000 EA
HA7000A02	KEY RETAINER RING, 1 1/8 DIA, 1 3/8 DIA	1.000 EA
LB1081F	ALUM XP CAUTION LABEL (FS PLANT ONLY-	1.000 EA
LB1115N	LABEL,LIFTING DEVICE (ON ROLLS)	1.000 EA
85XU0407S04	4X1/4 U DRIVE PIN STAINLESS	6.000 EA
MJ1000A02	GREASE, POLYREX EM EXXON (USe 4824-15A)	0.050 LB
51XB1214A16	12-14X1.00 HXWSSLD SERTYB	1.000 EA
MG1025G29	WILKOFASST, 789.229, DARK CHARCOAL GRAY	0.028 GA
LB1119N	WARNING LABEL	1.000 EA
LC0145B01	CONNECTION LABEL	1.000 EA
NP0890XPSL	SS XP INV UL CSA CC CL-I GP-D	1.000 EA
G0PA1000	PKG GRP, PRINT PK1026A06	1.000 EA
MN416A01	TAG-INSTAL-MAINT no wire (1200/bx) 11/14	1.000 EA

AC Induction Motor Performance Data

Page 1 of 1



AC Induction Motor Performance Data

Record # 36483

Typical performance - not guaranteed values

Winding: 06WG X181	Type: 0632M	Enclosure: TEBC
---------------------------	--------------------	------------------------

Nameplate Data			General Characteristics at 460 V, 60 Hz: High Volt Connection		
Rated Output (HP)	3		Full Load Torque	9.06 LB-FT	
Volts	230/460		Start Configuration	DOL	
Full Load Amps	8.2/4.1		Break Down Torque	33.1 LB-FT	
R.P.M.	1755		Pull-Up Torque	18.2 LB-FT	
Hz	60	Phase	3	Locked-rotor Torque	20.4 LB-FT
NEMA Design Code	B	KVA Code	J	Starting Current	29.8 Amps
Service Factor	1		No-load Current	2.14 Amps	
NEMA Nom. Eff.	89.5	P.F.	77	Line-line Res. @ 25°C.	3.94 Ohms
Rating - Duty	40C AMB-CONT		Temp. Rise @ Rated Load	35°C	
S.F. Amps			Temp. Rise @ S.F. Load		

Load Characteristics at 460 Volts, 60 Hz, 3 HP

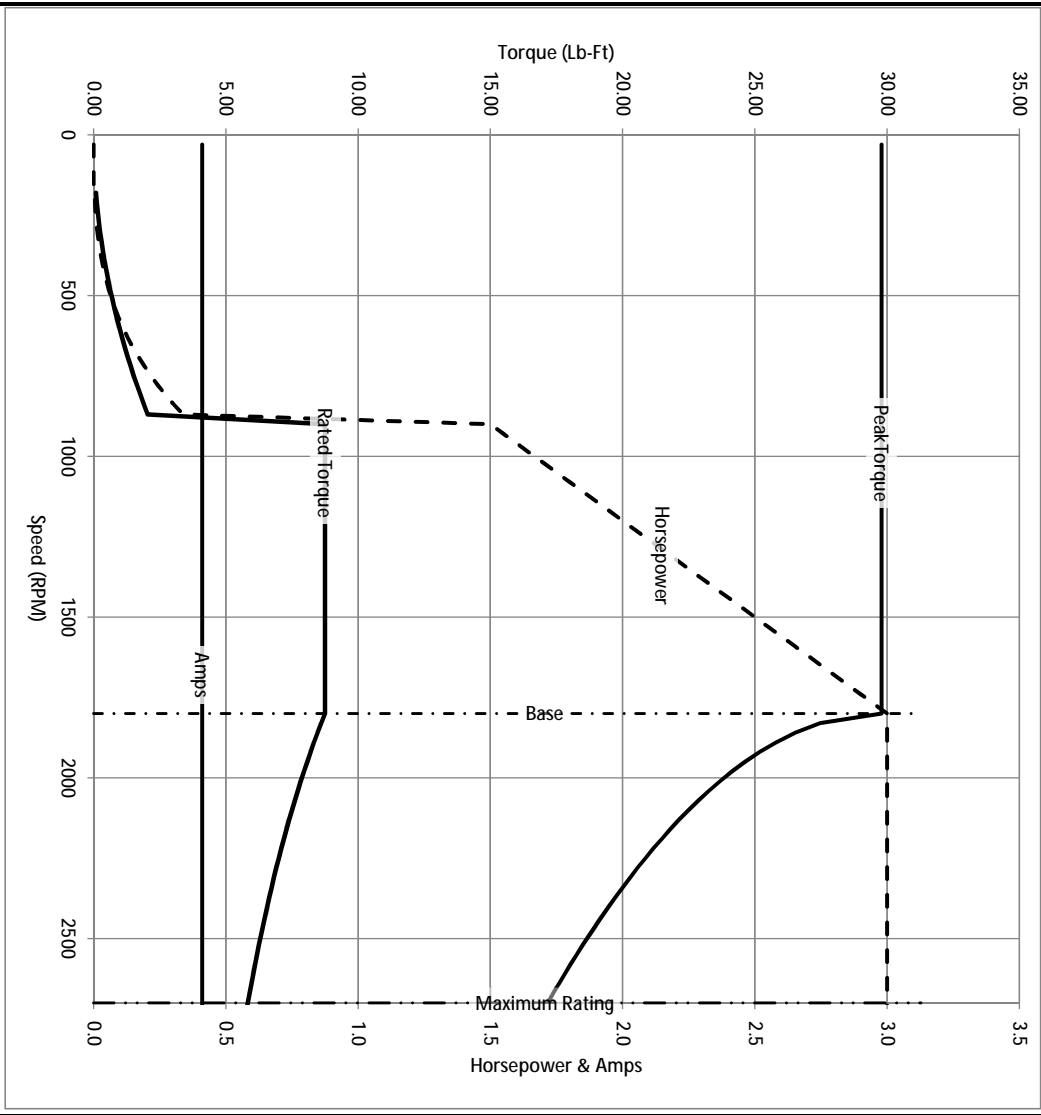
% of Rated Load	25	50	75	100	125	150	S.F.
Power Factor	38	58	70	77	81	83	
Efficiency	83.2	88.3	89.8	89.7	89.1	87.7	
Speed	1790	1779	1769	1757	1744	1730	
Line Amperes	2.34	2.79	3.39	4.1	4.91	5.86	

Baldor Electric Company Fort Smith, Arkansas

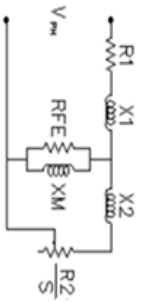


2/27/2013

Catalog	IDXMT7142T	NIP VOLTS	230/460	ENCLOSURE	XPFC	WYE CONN ED OKT OHMS PER PHASE (BASE RATING, 200°)			
FRAME	182TC	NIP AMPS	8.2/4.1	Base Volts	460	R1	1.930	X1	5.490
HP	3 HP	DUTY	Cont	Base AMPS	4.1	R2	1.370	X2	4.581
BASE SPEED	1800	MAX SAFE RPM	2700	Slip Hz	1.43			XMI	119.333
PHASE/HZ	3/60	AMB ⁶ /C/INSUL	40/F	Wk ² (lb-ft ²)	0.298				



Remarks: Calculated Data



A MEMBER OF THE ABB GROUP

DR BY ENR

CK BY

APP BY ENR

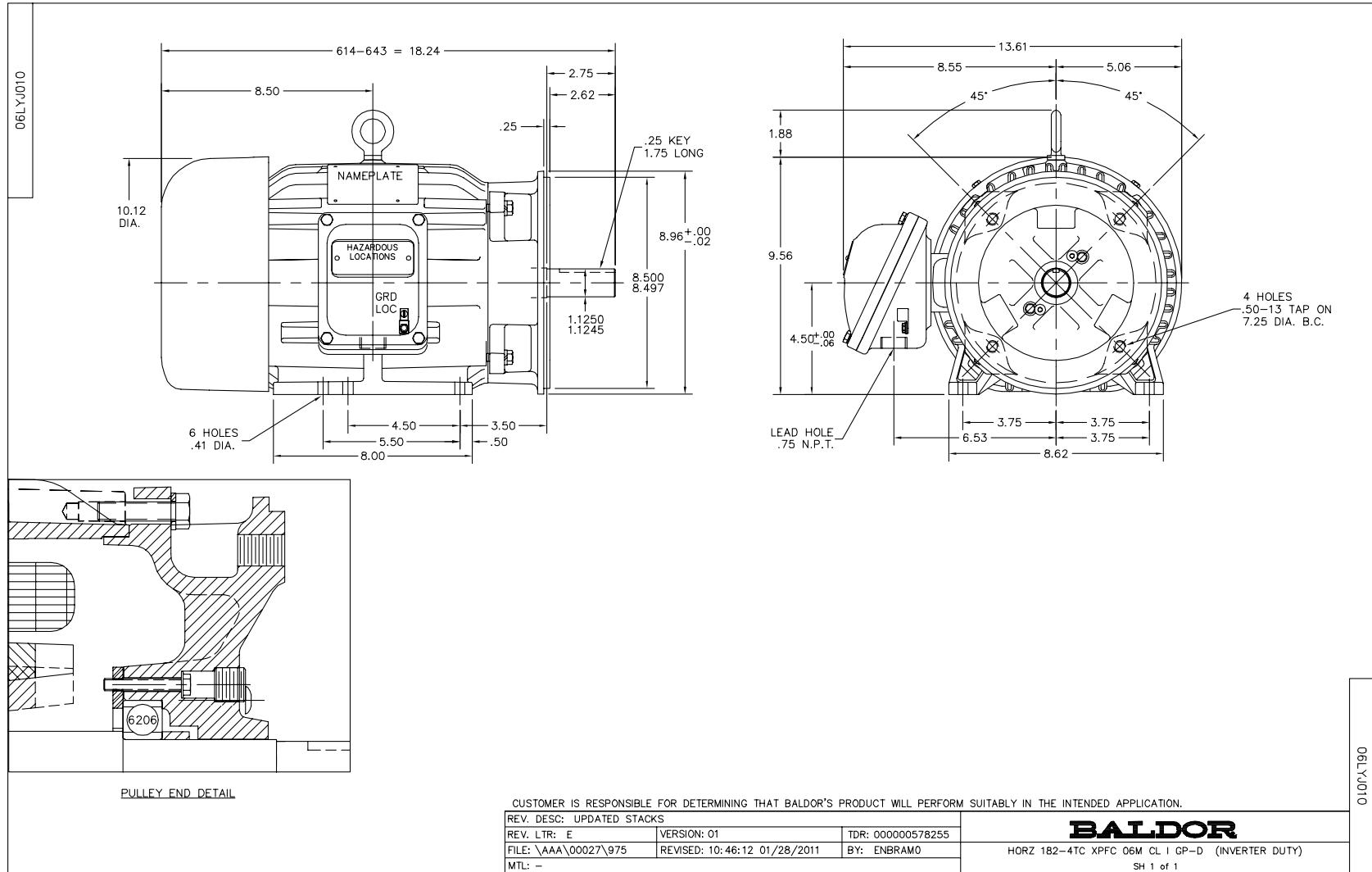
DATE 2/27/2013

A-C MOTOR

PERFORMANCE CURVES

ISSUE DATE 2/27/2013

06J1010X181G1



CD0005



LOW VOLTAGE
(2Y)



LINE

HIGH VOLTAGE
(1Y)



LINE

NOTES:

1. INTERCHANGE ANY TWO LINE LEADS TO REVERSE ROTATION.
2. OPTIONAL THERMOSTATS ARE PROVIDED WHEN SPECIFIED.
3. ACTUAL NUMBER OF INTERNAL PARALLEL CIRCUITS MAY BE A MULTIPLE OF THOSE SHOWN ABOVE.
4. LEAD COLORS ARE OPTIONAL. LEADS MUST ALWAYS BE NUMBERED AS SHOWN.

REV. DESC: REVISE TO SHOW OPTIONAL COLORS			
REV. LTR: E	BY: JLP	REVISED: 01/19/99 10:15	TDR: 0171435
9000D		FILE: AAA00005140	MDL: -
		MTL: -	

BALDOR ELECTRIC Co.

3PH, DV, 9 LEADS

CD0005