

BALDOR® • *RELIANCE*

Product Information Packet

KENM3454

.25HP,1750RPM,3PH,60HZ,56C,3513M,TENV,F1

Part Detail							
Revision:	J	Status:	PRD/A	Change #:		Proprietary:	No
Type:	AC	Prod. Type:	3512M	Elec. Spec:	35WGN564	CD Diagram:	CD0005
Enclosure:	TENV	Mfg Plant:		Mech. Spec:	35E010	Layout:	35LYE010
Frame:	56C	Mounting:	F1	Poles:	04	Created Date:	08-22-2012
Base:	N	Rotation:	R	Insulation:	F	Eff. Date:	10-27-2016
Leads:	9#18					Replaced By:	
Literature:		Elec. Diagram:					

Nameplate NP2116L	
CAT.NO.	KENM3454
SPEC.	35E010N564G1
HP	.25
VOLTS	230/460
AMP	.8/.4
RPM	1750
FRAME	56C
SER.F.	1.15
NEMA-NOM-EFF	80
RATING	40C AMB-CONT
CC	USABLE AT 208V .8
DE	6205
ENCL	TENV

CODE	M	DES	B	CL	F	PH	3
PF	70	HZ	60				
ODE	6203	SN					

Parts List		
Part Number	Description	Quantity
SA249878	SA 35E010N564G1	1.000 EA
RA236738	RA 35E010N564G1	1.000 EA
NS2512A01	INSULATOR, CONDUIT BOX X	1.000 EA
35CB3007	35 CB CASTING W/.88 DIA. LEAD HOLE	1.000 EA
36GS1000	GASKET-CONDUIT BOX, .06 THICK #SV-330 LE	1.000 EA
51XB1016A07	10-16 X 7/16 HXWSSLD SERTYB	2.000 EA
11XW1032G06	10-32 X .38, TAPTITE II, HEX WSHR SLTD U	1.000 EA
35EP3100M69	STD FR EP-TENV-35L OR M--203 BRG	1.000 EA
HW5100A03SP	WAVY WASHER (W1543-017)	1.000 EA
35EP3300A33	SPL FACE MTD EP -ENCL-205 BRG	1.000 EA
51XN1032A20	10-32 X 1 1/4 HX WS SL SR	2.000 EA
35CB4521GX	CONDUIT BOX LID KIT	1.000 EA
51XW0832A07	8-32 X .44, TAPTITE II, HEX WSHR SLTD SE	4.000 EA
HA7000A04	KEY RETAINER 0.625 DIA SHAFTS	1.000 EA
85XU0407S04	4X1/4 U DRIVE PIN STAINLESS	2.000 EA
MJ1000A02	GREASE, POLYREX EM EXXON (USe 4824-15A)	0.050 LB
MG1000Y03	MUNSELL 2.53Y 6.70/ 4.60, GLOSS 20,	0.017 GA
HW2501D13	KEY, 3/16 SQ X 1.375	1.000 EA
HA3100A12	THRUBOLT 10-32 X 7.375	4.000 EA
LC0005E01	CONN.DIA./WARNING LABEL (LC0005/LB1119N)	1.000 EA
NP2116L	ALUM SUPER-E UL CSA CC	1.000 EA
35PA1066	PKG GRP, PRINT PK1008A06	1.000 EA
PK3082	STYROFOAM CRADLE	1.000 EA
MN416A01	TAG-INSTAL-MAINT no wire (1200/bx) 11/14	1.000 EA

AC Induction Motor Performance Data

Record # 39806 - Typical performance - not guaranteed values

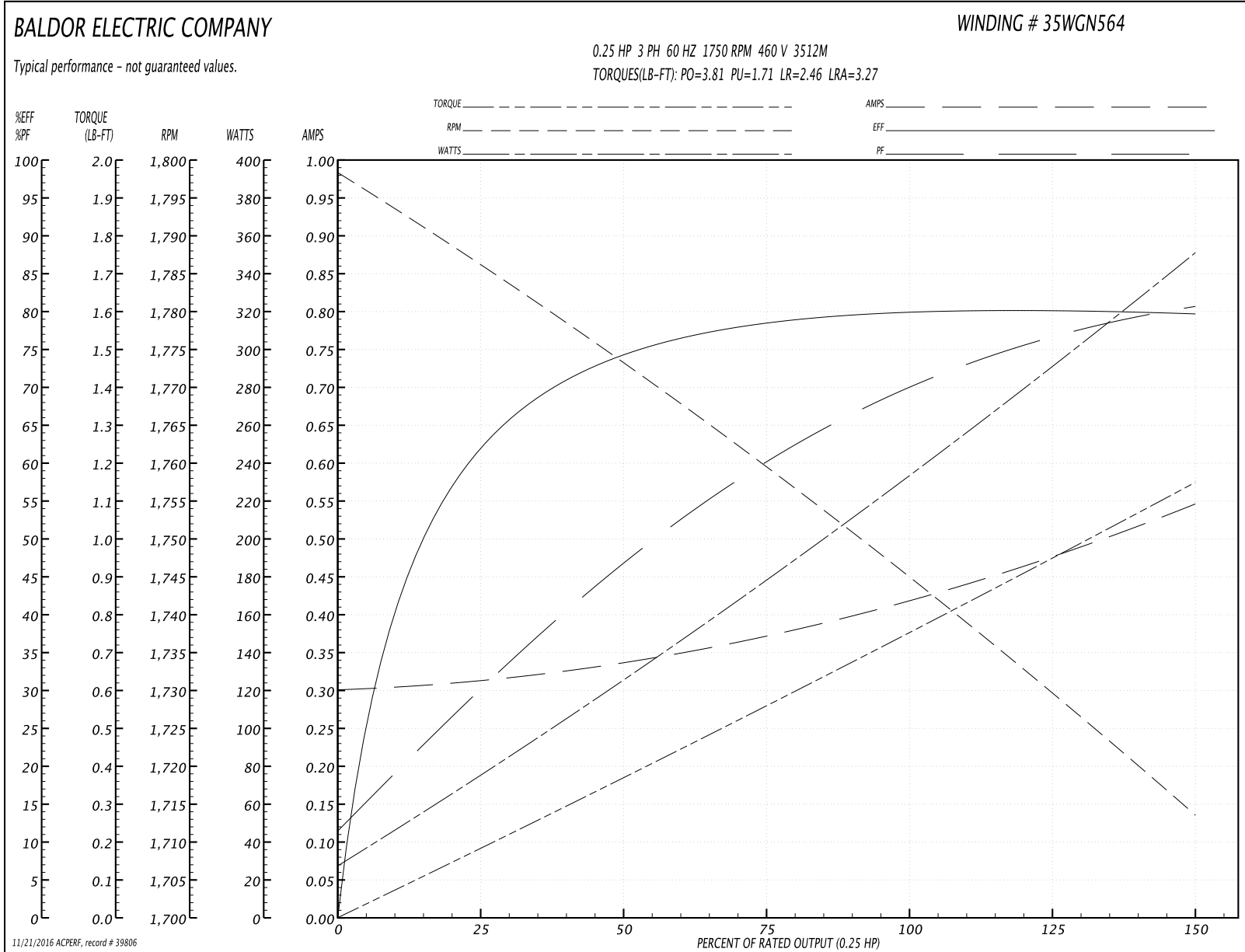
Winding: 35WGN564-R001	Type: 3512M	Enclosure: TENV
-------------------------------	--------------------	------------------------

Nameplate Data				460 V, 60 Hz: High Voltage Connection	
Rated Output (HP)	.25			Full Load Torque	0.758 LB-FT
Volts	230/460			Start Configuration	direct on line
Full Load Amps	.8/.4			Breakdown Torque	3.81 LB-FT
R.P.M.	1750			Pull-up Torque	1.71 LB-FT
Hz	60	Phase	3	Locked-rotor Torque	2.46 LB-FT
NEMA Design Code	B	KVA Code	M	Starting Current	3.27 A
Service Factor (S.F.)	1.15			No-load Current	0.301 A
NEMA Nom. Eff.	80	Power Factor	70	Line-line Res. @ 25°C	71.8 Ω
Rating - Duty	40C AMB-CONT			Temp. Rise @ Rated Load	30°C
S.F. Amps				Temp. Rise @ S.F. Load	34°C
				Locked-rotor Power Factor	70.9
				Rotor inertia	0.0709 LB-FT ²

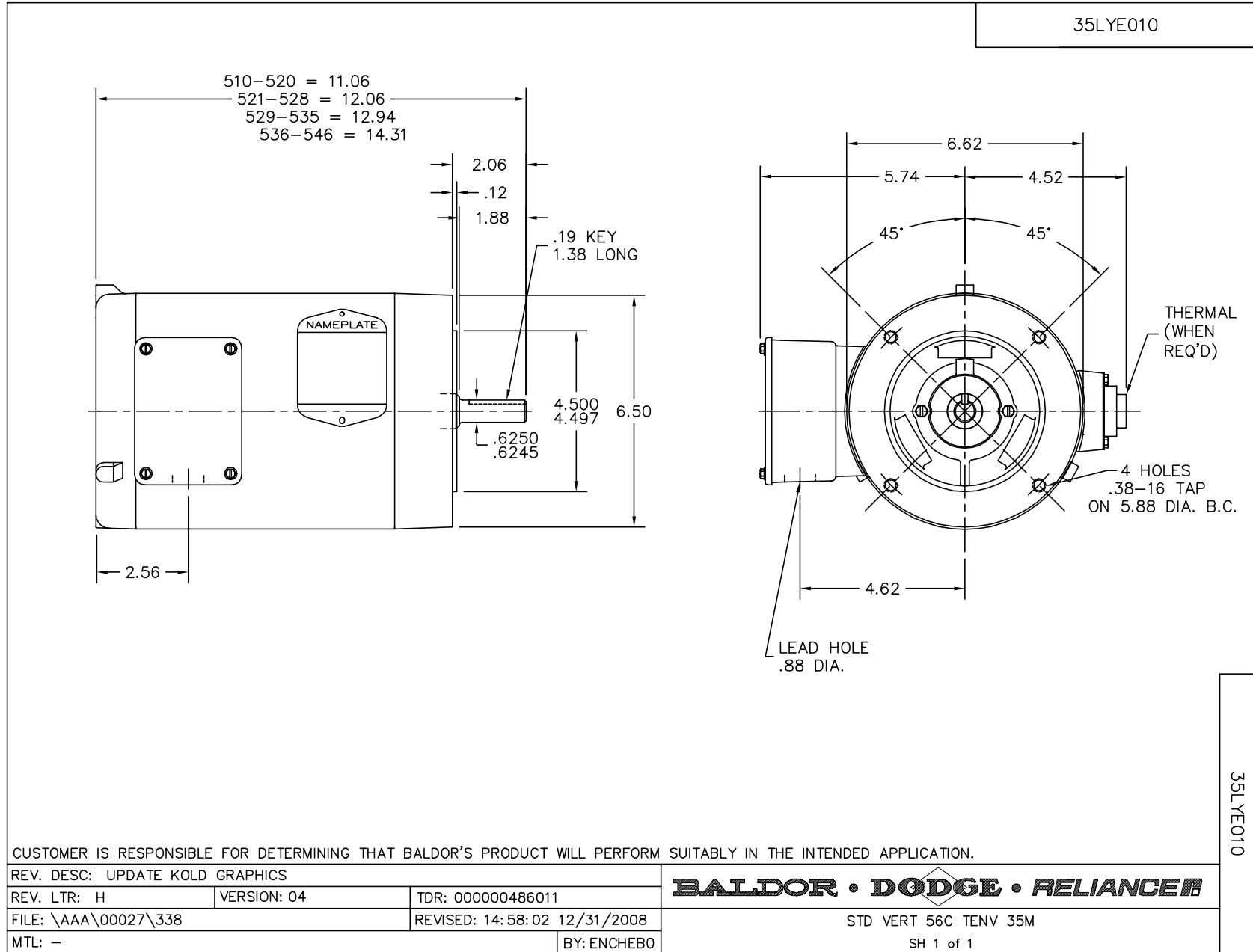
Load Characteristics 460 V, 60 Hz, 0.25 HP

% of Rated Load	25	50	75	100	125	150	S.F.
Power Factor	31	47	60	70	77	81	74
Efficiency	61.8	74.4	78.2	80.3	80.4	79.5	80.5
Speed	1785	1773	1759	1745	1730	1713	1752
Line amperes	0.313	0.336	0.376	0.42	0.474	0.548	0.455

Performance Graph at 460V, 60Hz, 0.25HP Typical performance - Not guaranteed values



11/21/2016 ACPERF: record # 39806



CD0005

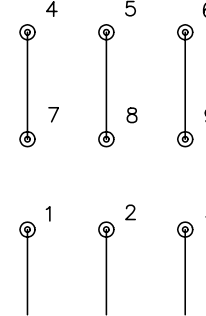


LOW VOLTAGE
(2Y)



LINE

HIGH VOLTAGE
(1Y)



LINE

NOTES:

1. INTERCHANGE ANY TWO LINE LEADS TO REVERSE ROTATION.
2. OPTIONAL THERMOSTATS ARE PROVIDED WHEN SPECIFIED.
3. ACTUAL NUMBER OF INTERNAL PARALLEL CIRCUITS MAY BE A MULTIPLE OF THOSE SHOWN ABOVE.
4. LEAD COLORS ARE OPTIONAL. LEADS MUST ALWAYS BE NUMBERED AS SHOWN.

REV. DESC: REVISE TO SHOW OPTIONAL COLORS			
REV. LTR: E	BY: JLP	REVISED: 01/19/99 10:15	TDR: 0171435
9000D		FILE: AAA00005140	MDL: -
		MTL: -	

BALDOR ELECTRIC Co.

3PH, DV, 9 LEADS

CD0005