

# **BALDOR**® • *RELIANCE*

## **Product Information Packet**

### **M3108-57**

**.5HP, 1425 IP23RPM, 3PH, 50HZ, 56, 3420M, OPEN**

Part Detail							
Revision:	A	Status:	PRD/A	Change #:		Proprietary:	No
Type:	AC	Prod. Type:	3420M	Elec. Spec:	34WGX268	CD Diagram:	CD0022
Enclosure:	OPEN	Mfg Plant:		Mech. Spec:	34F779	Layout:	34LYF779
Frame:	56	Mounting:	F1	Poles:	04	Created Date:	09-07-2011
Base:	RG	Rotation:	R	Insulation:	B	Eff. Date:	08-23-2016
Leads:	6#18					Replaced By:	
Literature:		Elec. Diagram:					

Nameplate NP1372L												
CAT.NO.	M3108-57											
SPEC.	34F779X268G1											
HP	.5											
VOLTS	230/400											
AMP	1.7/1											
RPM	1425 IP23											
FRAME	56					HZ	50			PH	3	
SER.F.	1.25					CODE	K		DES	B	CL	B
NEMA-NOM-EFF	73					PF	67					
RATING	40C AMB-CONT											
CC												USABLE AT 208V
DE	6203					ODE	6203					
ENCL	OPEN					SN						
	SFA 2/1.2											

Parts List		
Part Number	Description	Quantity
SA230299	SA 34F779X268G1	1.000 EA
RA217329	RA 34F779X268G1	1.000 EA
NS2512A01	INSULATOR, CONDUIT BOX X	1.000 EA
34CB3002A	CB CAST W/.88 DIA HOLE	1.000 EA
51XB1016A07	10-16 X 7/16 HXWSSLD SERTYB	2.000 EA
11XW1032G06	10-32 X .38, TAPTITE II, HEX WSHR SLTD U	1.000 EA
34EP3210A01SP	FR ENDPLATE, MACH	1.000 EA
HW5100A03SP	WAVY WASHER (W1543-017)	1.000 EA
34EP3212A02	PU ENDPLATE, MODEL 34 OPEN	1.000 EA
XY1032A02	10-32 HEX NUT DIRECTIONAL SERRATION	4.000 EA
34CB4517	CB LID 4 MTG HOLES .22 DIA STAMPED, FOR	1.000 EA
51XW0832A07	8-32 X .44, TAPTITE II, HEX WSHR SLTD SE	4.000 EA
HW2501D13	KEY, 3/16 SQ X 1.375	1.000 EA
HA7000A04	KEY RETAINER 0.625 DIA SHAFTS	1.000 EA
HW3001B02	BRASS CUP WASHER W/GROUND SYMBOL TAB,	1.000 EA
MG1000G27	MED CHARCOAL METALLIC GREY 400-0096	0.014 GA
10XF0440S02	04-40 X 1/8 TYPE F HEX HD STAINLESS STIC	2.000 EA
HA3100A44	THRUBOLT 10-32 X 8.000	4.000 EA
LB1119N	WARNING LABEL	1.000 EA
LC0034	CONNECTION LABEL	1.000 EA
MN416A01	TAG-INSTAL-MAINT no wire (1200/bx) 11/14	1.000 EA
NP1372L	ALUM UL CSA CE CC	1.000 EA
34PA1002	PKG GRP, PRINT PK1001A01	1.000 EA

**AC Induction Motor Performance Data**

Record # 35149 - Typical performance - not guaranteed values

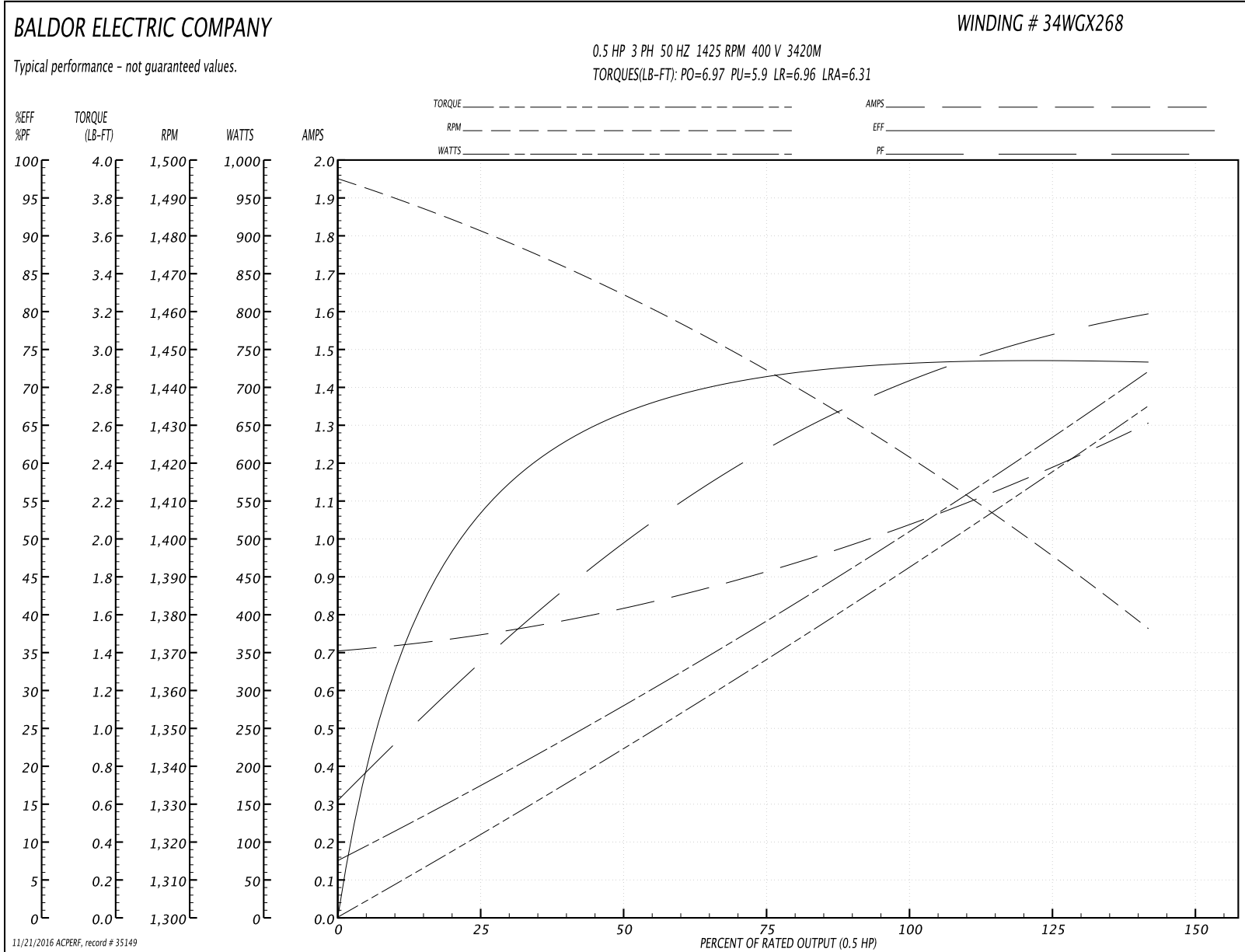
<b>Winding:</b> 34WGX268-R010	<b>Type:</b> 3420M	<b>Enclosure:</b> OPEN
-------------------------------	--------------------	------------------------

Nameplate Data				400 V, 50 Hz: High Voltage Connection	
Rated Output (HP)	.5			Full Load Torque	1.8 LB-FT
Volts	230/400			Start Configuration	direct on line
Full Load Amps	1.7/1			Breakdown Torque	6.97 LB-FT
R.P.M.	1425			Pull-up Torque	5.9 LB-FT
Hz	50	Phase	3	Locked-rotor Torque	6.96 LB-FT
NEMA Design Code	B	KVA Code	K	Starting Current	6.31 A
Service Factor (S.F.)	1.25			No-load Current	0.704 A
NEMA Nom. Eff.	73	Power Factor	67	Line-line Res. @ 25°C	27.1 Ω
Rating - Duty	40C AMB-CONT			Temp. Rise @ Rated Load	
S.F. Amps	2/1.2			Temp. Rise @ S.F. Load	
				Locked-rotor Power Factor	64
				Rotor inertia	0.0476 LB-FT <sup>2</sup>

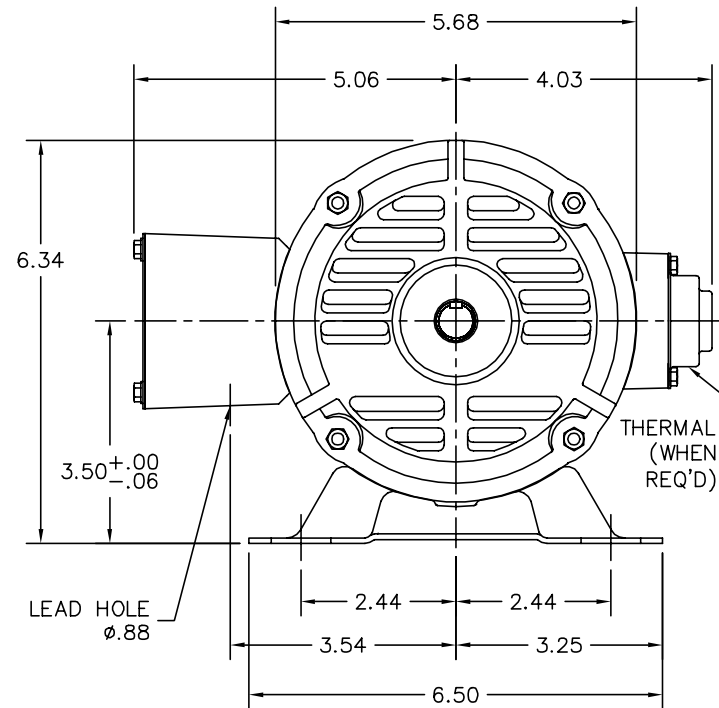
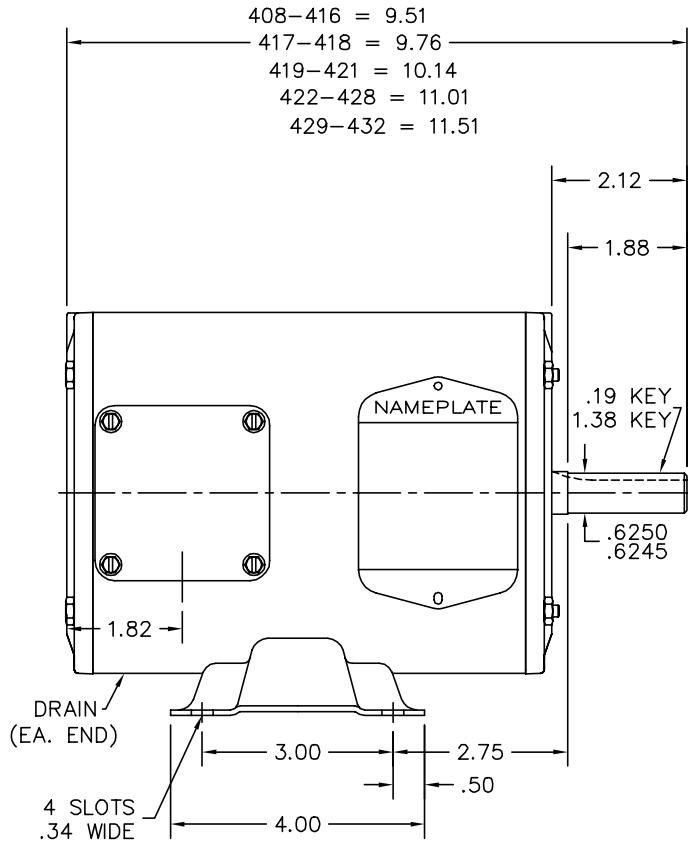
Load Characteristics 400 V, 50 Hz, 0.5 HP

% of Rated Load	25	50	75	100	125	150	S.F.
Power Factor	35	50	62	69	77	80	77
Efficiency	52.4	66.3	71.8	73.3	73.9	73.1	73.9
Speed	1479	1465	1448	1418	1406	1374	1406
Line amperes	0.749	0.819	0.901	1.04	1.15	1.31	1.15

Performance Graph at 400V, 50Hz, 0.5HP Typical performance - Not guaranteed values



34LYF779



CUSTOMER IS RESPONSIBLE FOR DETERMINING THAT BALDOR'S PRODUCT WILL PERFORM SUITABLY IN THE INTENDED APPLICATION.

REV. DESC: CHG PUEP FROM 34EP3212A24 TO -A02 SEE ZTR02 NOTES		
REV. LTR: D	VERSION: 04	TDR: 000000991828
FILE: \AAA\00181\763	REVISED: 09:50:22 08/11/2016	BY: ENBENBO
MTL: -	⊙ □	

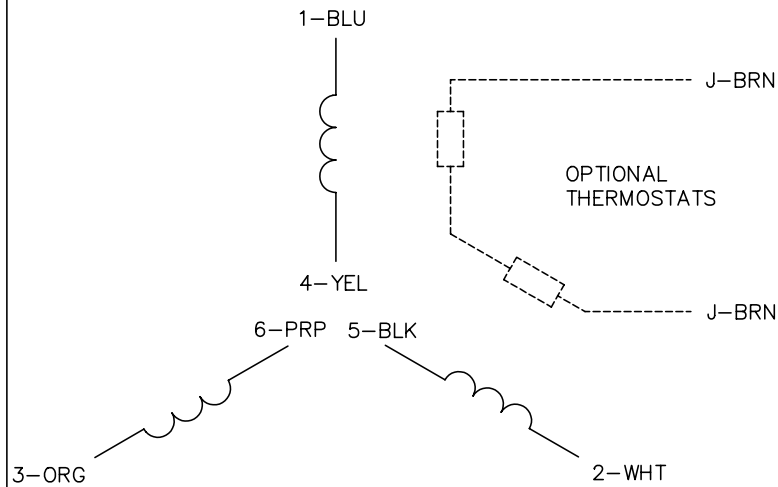
**BALDOR**

HORZ 34M NEMA 56 OPEN

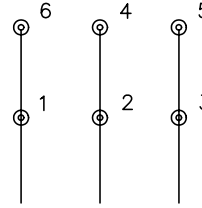
SH 1 of 1

34LYF779

CD0022

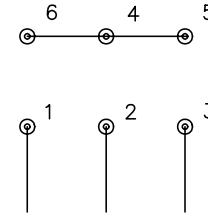


LOW VOLTAGE  
(1D)



LINE

HIGH VOLTAGE  
(1Y)



LINE

NOTES:

1. INTERCHANGE ANY TWO LINE LEADS TO REVERSE ROTATION.
2. OPTIONAL THERMOSTATS ARE PROVIDED WHEN SPECIFIED.
3. ACTUAL NUMBER OF INTERNAL PARALLEL CIRCUITS MAY BE A MULTIPLE OF THOSE SHOWN ABOVE.
4. LEAD COLORS ARE OPTIONAL. LEADS MUST ALWAYS BE NUMBERED AS SHOWN.

REV. DESC: REVISE TO SHOW OPTIONAL COLORS			
REV. LTR: F	BY: JLP	REVISED: 01/21/99 3:54	TDR: 0171435
CD0022		FILE: AAA00005144	MDL: -
		MTL: -	

**BALDOR ELECTRIC Co.**

3PH, DV, 6 LEADS, DELTA/WYE CONNECTION

CD0022