

BALDOR® • *RELIANCE*

Product Information Packet

OF3410T

10HP, 1125RPM, 3PH, 60HZ, 256T, 0942M, OPEN, F2

Part Detail							
Revision:	X	Status:	PRD/A	Change #:		Proprietary:	No
Type:	AC	Prod. Type:	0942M	Elec. Spec:	09WGY172	CD Diagram:	CD0321
Enclosure:	OPEN	Mfg Plant:		Mech. Spec:	09G78	Layout:	09LYG078
Frame:	256T	Mounting:	F2	Poles:	06	Created Date:	
Base:	RG	Rotation:	R	Insulation:	F	Eff. Date:	09-14-2016
Leads:	12#12 ML4400B12		Y			Replaced By:	
Literature:		Elec. Diagram:					

Nameplate NP2961E			
CAT.NO.	OF3410T		
SPEC.	09G078Y172		
HP	10		
VOLTS	230/460/796		
AMP	31/15.5/9		
RPM	1125		
FRAME	256T	HZ	60
SER.F.	1.15	CODE	H
NEMA-NOM-EFF	84	PF	72
RATING	40C AMB-CONT		
CC		DES	D
DE	6309	ODE	6208
ENCL	OPEN	SN	
		PH	3
		CLASS	F
		USABLE AT 208V	

Nameplate NP0090E

FRONT 6208

PULLEY 6309

LUBRICATE WITH

GREASE POLYREX EM

Parts List		
Part Number	Description	Quantity
SA064242	SA 09G078Y172	1.000 EA
RA058409	RA 09G078Y172	1.000 EA
HW1002A63	WASHER, 5/8 HI-COLLAR SPRLCKWASHER	1.000 EA
51XW1032A06	10-32 X .38, TAPTITE II, HEX WSHR SLTD S	12.000 EA
09CB1001A31	CONDUIT BOX, MACH 309 FRAME	1.000 EA
10XN2520K12	1/4-20 X.75 GRD 5	2.000 EA
HW1001A25	LOCKWASHER 1/4, ZINC PLT .493 OD, .255 I	2.000 EA
WD1000B17	T&B CX35TN TERMINAL	1.000 EA
10XN2520K08	1/4-20 X .50 GRADE #5, STL, ZINC PLATE	1.000 EA
HW1001A25	LOCKWASHER 1/4, ZINC PLT .493 OD, .255 I	1.000 EA
HA1105A01	RODENT SCREEN, PU ENDPLATE	1.000 EA
12XN0832A12	8-32 X 3/4 HEX HD SCREW	2.000 EA
XY0832A02	8-32 HEX NUT	2.000 EA
12XN0832A06	8-32 X 3/8 HEX HD SCREW	1.000 EA
HW1000A08	#8 SAE FLAT WASHER	3.000 EA
XY0832A02	8-32 HEX NUT	2.000 EA
HW1000A08	#8 SAE FLAT WASHER	3.000 EA
12XN0832A06	8-32 X 3/8 HEX HD SCREW	1.000 EA
HW1001A08	WASHER, #8 SPLT LK, ZN	3.000 EA
09EP1200A02	FR E.P. MACH, ROD SCREENS	1.000 EA
10XN3816K52	3/8-16 X 3-1/4 HEX HEAD CAP SCREW GRD 5	4.000 EA
HW1001A38	LOCKWASHER 3/8, ZINC PLT .688 OD, .382 I	4.000 EA
HW5100A08	W3118-035 WVY WSHR (WB)	1.000 EA
HW1001A08	WASHER, #8 SPLT LK, ZN	3.000 EA

Parts List (continued)		
Part Number	Description	Quantity
09EP1201A02	PU E P MACH, RODENT SCREENS	1.000 EA
10XN3816K52	3/8-16 X 3-1/4 HEX HEAD CAP SCREW GRD 5	4.000 EA
HW1001A38	LOCKWASHER 3/8, ZINC PLT .688 OD, .382 I	4.000 EA
HA1103A06	40-76 RODENT SCREEN	1.000 EA
12XN0832A12	8-32 X 3/4 HEX HD SCREW	2.000 EA
09CB1501A01	CONDUIT BOX LID, MACH	1.000 EA
10XN2520K16	1/4-20 X 1" HX HD SCRW GRADE 5, ZINC P	2.000 EA
HW1001A25	LOCKWASHER 1/4, ZINC PLT .493 OD, .255 I	2.000 EA
HW2501G25	KEY, 3/8 SQ X 2.875	1.000 EA
LB1115N	LABEL,LIFTING DEVICE (ON ROLLS)	1.000 EA
MN416A01	TAG-INSTAL-MAINT no wire (1200/bx) 11/14	1.000 EA
09AD2000A01	AIR DEFLECTOR, 309 OPEN	1.000 EA
HA2001A03	SPACER, .218 ID X .375 LG	3.000 EA
HW4500A03	GREASE FITTING, .125 NPT 1610(ALEMITE) 8	1.000 EA
HW4500A17	317400 ALEMITE GREASE RELIEF	1.000 EA
HA4051A00	PLASTIC CAP FOR GREASE FITTING	1.000 EA
85XU0407S04	4X1/4 U DRIVE PIN STAINLESS	2.000 EA
MJ1000A02	GREASE, POLYREX EM EXXON (USe 4824-15A)	0.080 LB
09AD2000A01	AIR DEFLECTOR, 309 OPEN	1.000 EA
HA2001A03	SPACER, .218 ID X .375 LG	3.000 EA
HA4051A00	PLASTIC CAP FOR GREASE FITTING	1.000 EA
MG1025G03	WILKOFASST, 789.901, OIL RIG SILVER	0.050 GA
11XW1032A12	#10-32 X .75 HX WASHER HEAD	3.000 EA
HW4500A03	GREASE FITTING, .125 NPT 1610(ALEMITE) 8	1.000 EA

Product Information Packet: OF3410T - 10HP,1125RPM,3PH,60HZ,256T,0942M,OPEN,F2

HW4500A17	317400 ALEMITE GREASE RELIEF	1.000 EA
11XW1032A12	#10-32 X .75 HX WASHER HEAD	3.000 EA
LB1119N	WARNING LABEL	1.000 EA
LC0321	CONNECTION LABEL	1.000 EA
NP2961E	ALUM CSA CC	1.000 EA
NP0090E	SS NO LOGO'S BEARING & GREASE DATA	1.000 EA
09PA1000	PACKAGING GROUP COMBINED PRINT	1.000 EA

AC Induction Motor Performance Data

Record # 1882 - Typical performance - not guaranteed values

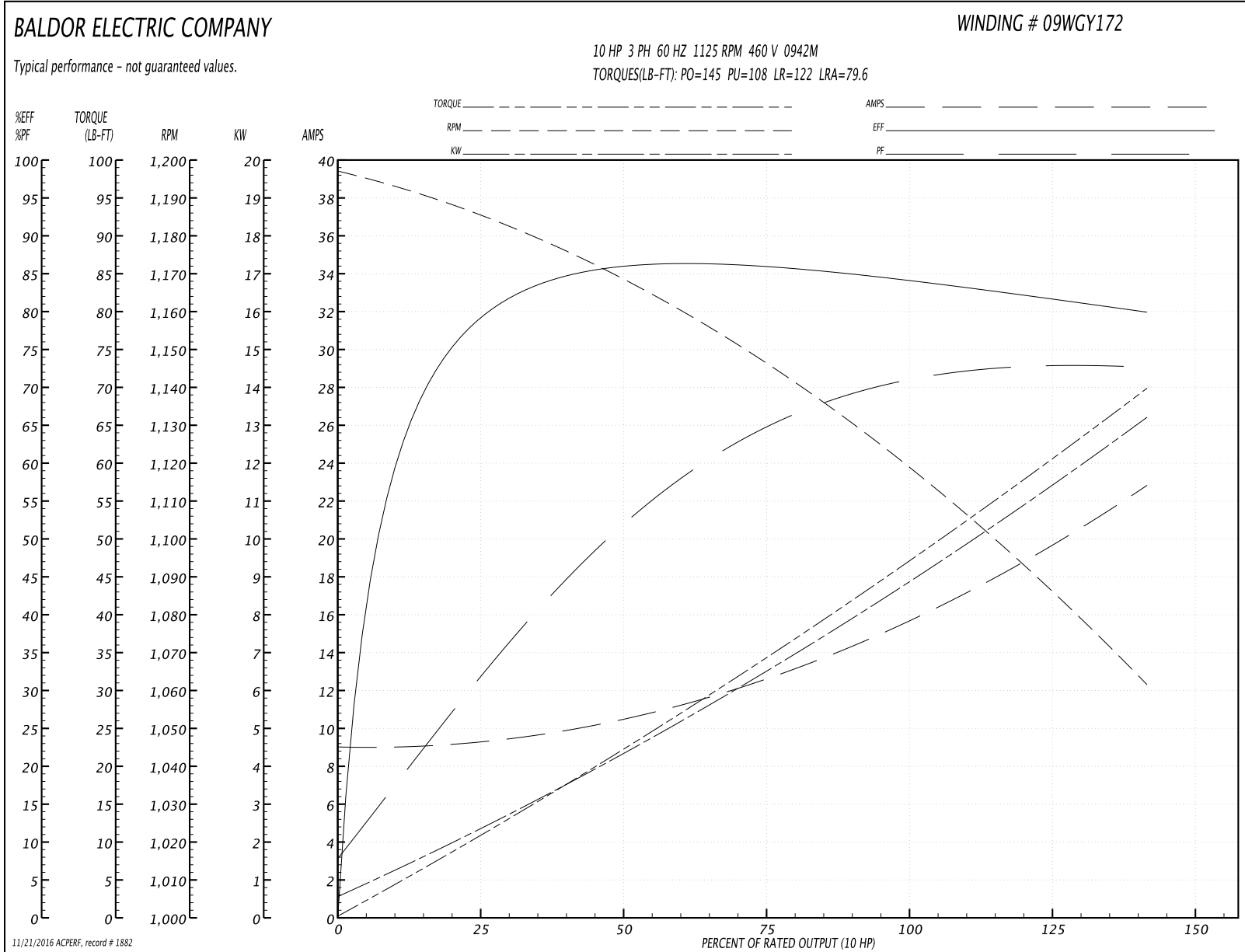
Winding: 09WGY172-R001	Type: 0942M	Enclosure: OPEN
-------------------------------	--------------------	------------------------

Nameplate Data				460 V, 60 Hz: 2nd Voltage Connection	
Rated Output (HP)	10			Full Load Torque	46.8 LB-FT
Volts	230/460/796			Start Configuration	direct on line
Full Load Amps	31/15.5/9			Breakdown Torque	145 LB-FT
R.P.M.	1125			Pull-up Torque	108 LB-FT
Hz	60	Phase	3	Locked-rotor Torque	122 LB-FT
NEMA Design Code	D	KVA Code	H	Starting Current	79.6 A
Service Factor (S.F.)	1.15			No-load Current	8.92 A
NEMA Nom. Eff.	84	Power Factor	72	Line-line Res. @ 25°C	0.821 Ω
Rating - Duty	40C AMB-CONT			Temp. Rise @ Rated Load	62°C
S.F. Amps				Temp. Rise @ S.F. Load	78°C

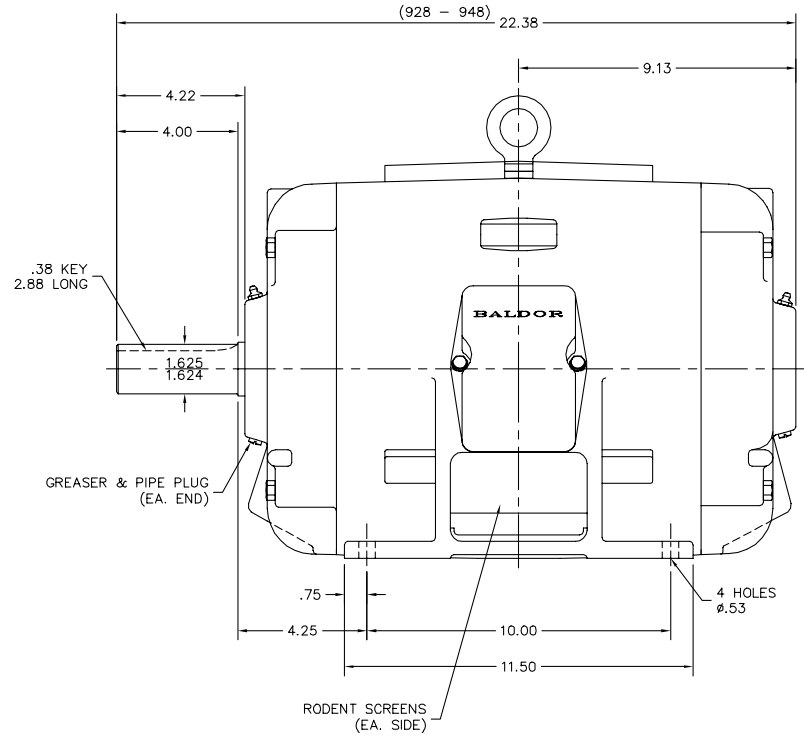
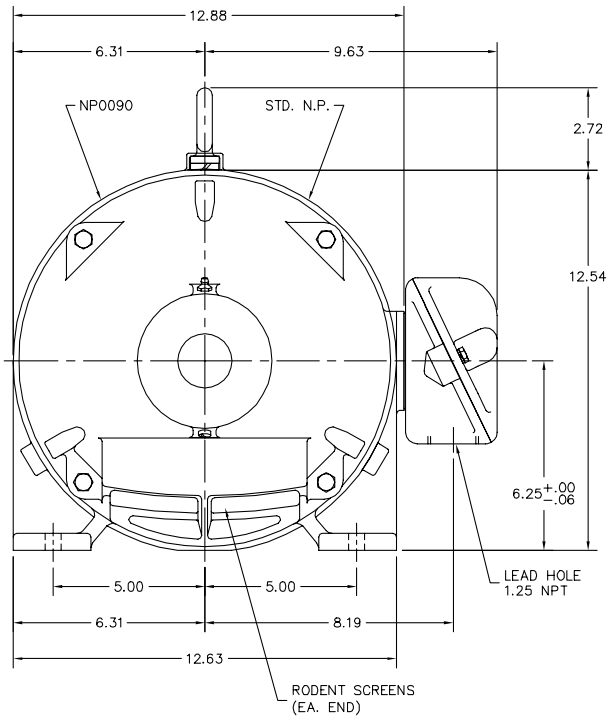
Load Characteristics 460 V, 60 Hz, 10 HP

% of Rated Load	25	50	75	100	125	150	S.F.
Power Factor	30	51	63	71	75	77	73
Efficiency	77.7	84.9	85.9	84.8	82.6	79.4	83.5
Speed	1183	1164	1146	1121	1093	1059	1104
Line amperes	9.4	10.8	12.7	15.6	18.9	23	17.58

Performance Graph at 460V, 60Hz, 10.0HP Typical performance - Not guaranteed values



09LYG078



CUSTOMER IS RESPONSIBLE FOR DETERMINING THAT MOTOR PERFORMANCE IS SUITABLE IN THE APPLICATION.

REV. DESC: REMOVE GASKETS	VERSION: 03	TDR: 000000445681
REV. LTR: M	REVISED: 09:50:30 02/13/2008	BY: ENGREHO
FILE: \AAA\00027\605		
MTL: -		

BALDOR • DODGE • RELIANCE

HOR OPEN 256T - F2 MTG - OIL FIELD PUMP
SH 1 of 1

09LYG078

