

# **BALDOR**® • **RELIANCE**

## **Product Information Packet**

### **RL1323A**

**.5HP,1725RPM,1PH,60HZ,56,3416L,OPEN,F1**

Part Detail							
Revision:	X	Status:	PRD/A	Change #:		Proprietary:	No
Type:	AC	Prod. Type:	3416L	Elec. Spec:	34WGW140	CD Diagram:	CD0052
Enclosure:	OPEN	Mfg Plant:		Mech. Spec:	34K018	Layout:	34LYK018
Frame:	56	Mounting:	F1	Poles:	04	Created Date:	
Base:	RS	Rotation:	RS	Insulation:	B	Eff. Date:	04-13-2016
Leads:	6#18,1#16 #1TH					Replaced By:	
Literature:		Elec. Diagram:					

<b>Nameplate NP1257L</b>	
<b>CAT.NO.</b>	RL1323A
<b>SPEC.</b>	34K18W140
<b>HP</b>	.5
<b>VOLTS</b>	115/230
<b>AMP</b>	8/4
<b>RPM</b>	1725
<b>FRAME</b>	56
<b>HZ</b>	60
<b>PH</b>	1
<b>SER.F.</b>	1.00
<b>CODE</b>	J
<b>DES</b>	N
<b>CL</b>	B
<b>NEMA-NOM-EFF</b>	62
<b>PF</b>	71
<b>RATING</b>	40C AMB-CONT
<b>CC</b>	USABLE AT 208V
<b>DE</b>	6203
<b>ODE</b>	6203
<b>ENCL</b>	OPEN
<b>SN</b>	

Parts List		
Part Number	Description	Quantity
SA008109	SA 34K18W140	1.000 EA
RA004556	RA 34K18W140	1.000 EA
EC1189A02SP	61B2D120189NNBA ELEC CAP, 189-227MFD, 12	1.000 EA
34CB4501SP	TERMINAL BOX LID, STAMPED X (PLATED)	1.000 EA
51XW0832A07	8-32 X .44, TAPTITE II, HEX WSHR SLTD SE	2.000 EA
11XT0832G06	8-32 X 3/8 TY 23 TAPPING	1.000 EA
LD5000A52	LEAD ASSY W/INTERNAL STAR RING TERMINALS	1.000 EA
11XT1032A06	10-32 X 3/8 HX WSHR HD SLTD TYPE 23	2.000 EA
51XW0832A07	8-32 X .44, TAPTITE II, HEX WSHR SLTD SE	3.000 EA
34EP3202A01SP	FR ENDPLATE, MACH	1.000 EA
RM1000A03	CUSHION RING, MDL 17-33-34	1.000 EA
HA6004A01A	CLAMP CUSHION RING ASSY	1.000 EA
WD4100A01	DP-875 HEYCO PLUG OR 62MP0875 MICRO PLAS	1.000 EA
RM1000A03	CUSHION RING, MDL 17-33-34	1.000 EA
HA6004A01A	CLAMP CUSHION RING ASSY	1.000 EA
NS2500A01	INSULATOR, AUTO THER PROT	1.000 EA
34CB4800SP	CAPACITOR COVER, STAMPED PRIMED	1.000 EA
51XB1016A05	10-16X5/16HX WA SL SR TYB (F/S)	2.000 EA
WD1000A16	2-520128-2 AMP FLAG TERMINAL(4M/RL)	6.000 EA
HW5100A03SP	WAVY WASHER (W1543-017)	1.000 EA
34EP3203A01	PU ENDPLATE, MACH	1.000 EA
XY1032A02	10-32 HEX NUT DIRECTIONAL SERRATION	4.000 EA
HW2501D13	KEY, 3/16 SQ X 1.375	1.000 EA
HA7000A04	KEY RETAINER 0.625 DIA SHAFTS	1.000 EA

<b>Parts List (continued)</b>		
<b>Part Number</b>	<b>Description</b>	<b>Quantity</b>
MG1000G27	MED CHARCOAL METALLIC GREY 400-0096	0.014 GA
10XF0440S02	04-40 X 1/8 TYPE F HEX HD STAINLESS STIC	2.000 EA
34BA4003A01SP	RESILIENT BASE, (LENGTH 8.22")	1.000 EA
SP5068A01	34L TERM PANEL STAT SWITCH #E-6"	1.000 EA
HA3100A12	THRUBOLT 10-32 X 7.375	4.000 EA
LB1118	LABEL,WARNING (ROLL LABEL)	1.000 EA
LC0052	CONNECTION LABEL	1.000 EA
NP1257L	ALUM UL CSA CC THERMAL REV MTG	1.000 EA
34PA1002	PKG GRP, PRINT PK1001A01	1.000 EA

**AC Induction Motor Performance Data**  
Record # 6896 - Typical performance - not guaranteed values

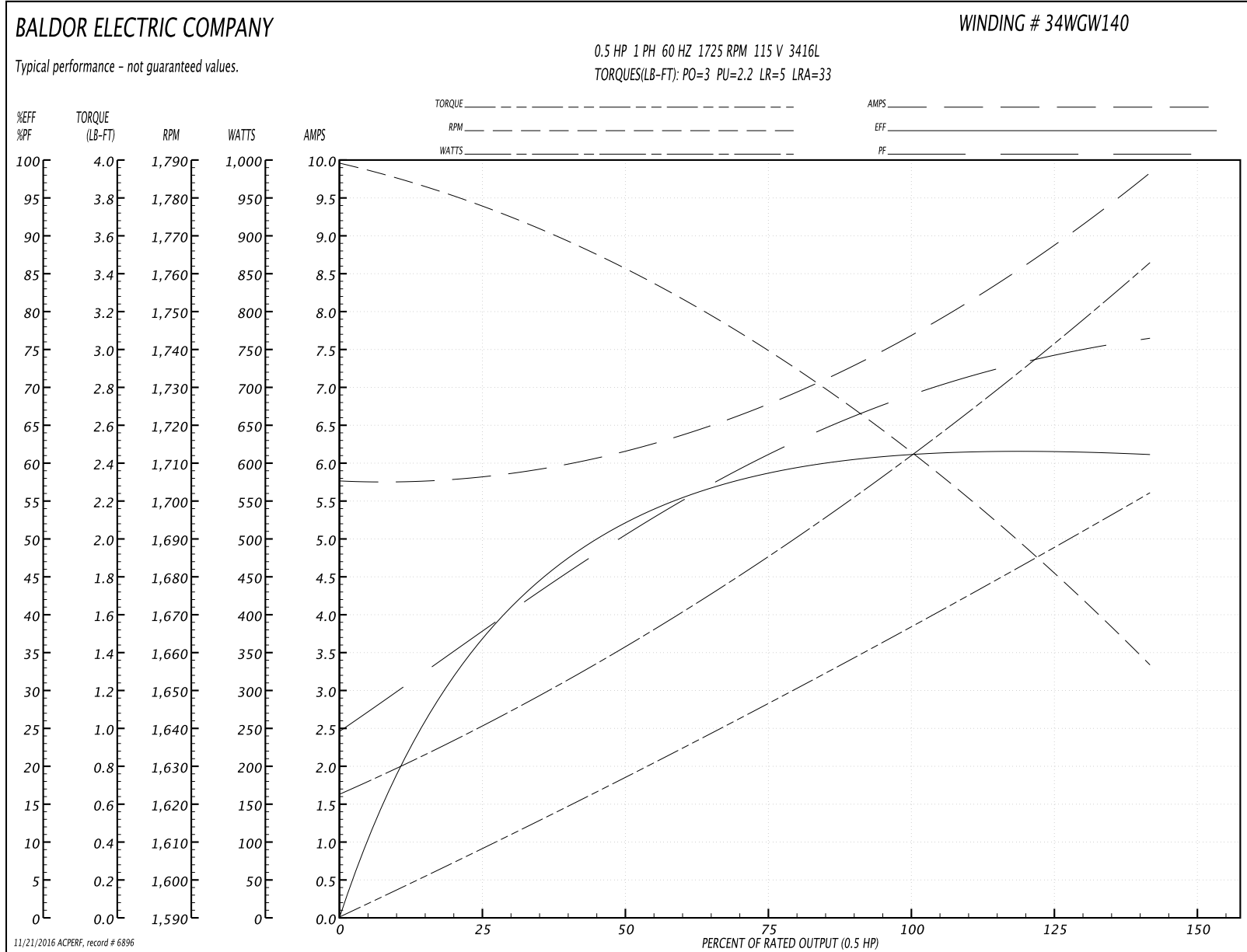
<b>Winding:</b> 34WGW140-R001	<b>Type:</b> 3416L	<b>Enclosure:</b> OPEN
-------------------------------	--------------------	------------------------

Nameplate Data				115 V, 60 Hz: Low Voltage Connection	
Rated Output (HP)	.5			Full Load Torque	1.5 LB-FT
Volts	115/230			Start Configuration	direct on line
Full Load Amps	8/4			Breakdown Torque	3 LB-FT
R.P.M.	1725			Pull-up Torque	2.2 LB-FT
Hz	60	Phase	1	Locked-rotor Torque	5 LB-FT
NEMA Design Code	N	KVA Code	J	Starting Current	33 A
Service Factor (S.F.)	1			No-load Current	5.7 A
NEMA Nom. Eff.	62	Power Factor	71	Line-line Res. @ 25°C	1.42 Ω A Ph 3.46 Ω B Ph
Rating - Duty	40C AMB-CONT			Temp. Rise @ Rated Load	64°C

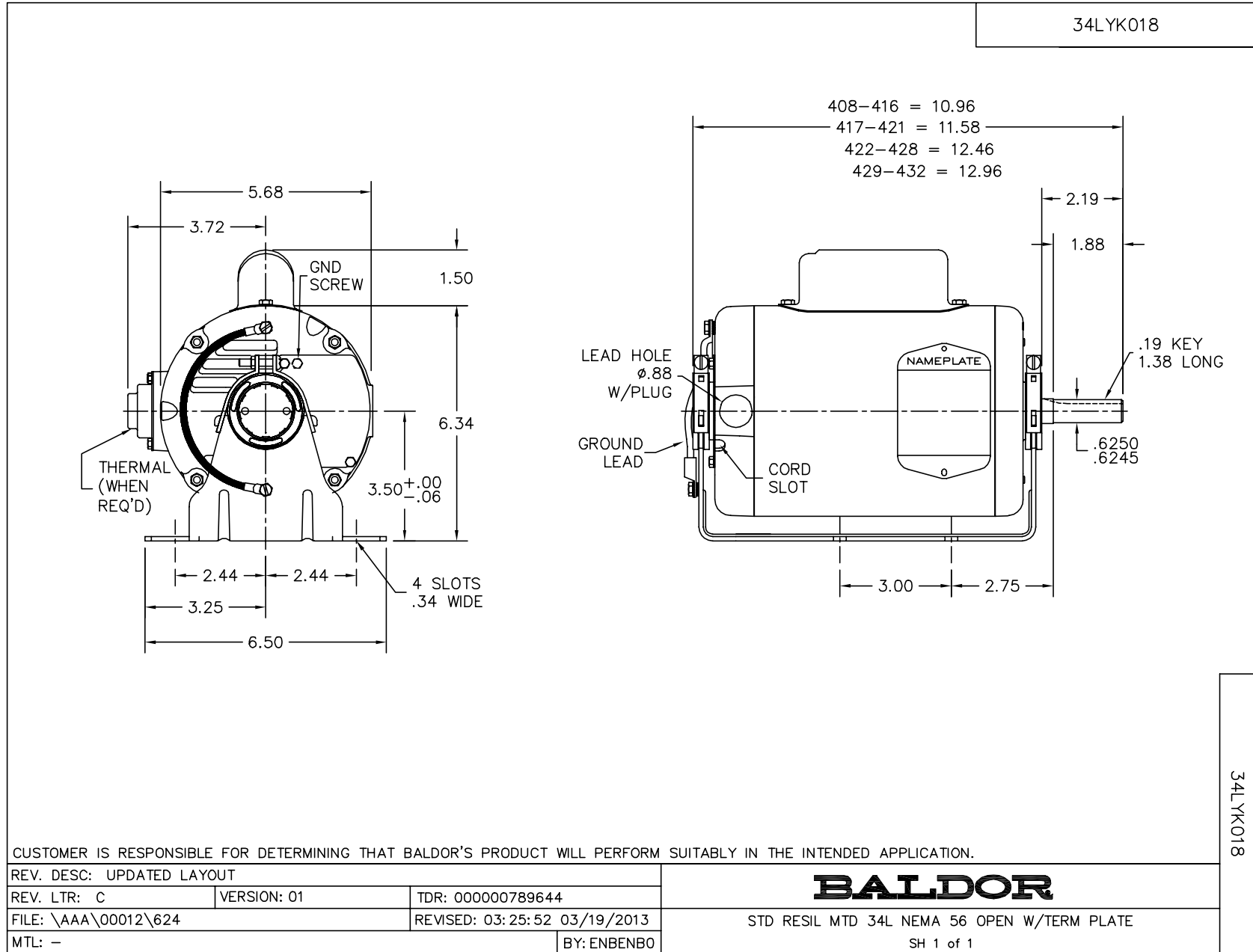
Load Characteristics 115 V, 60 Hz, 0.5 HP

% of Rated Load	25	50	75	100	125	150
Power Factor	38	51	61	70	76	81
Efficiency	36.2	51.4	58.6	61.7	62.2	60.6
Speed	1776	1759	1740	1717	1690	1654
Line amperes	5.9	6.2	6.8	7.5	8.6	9.9

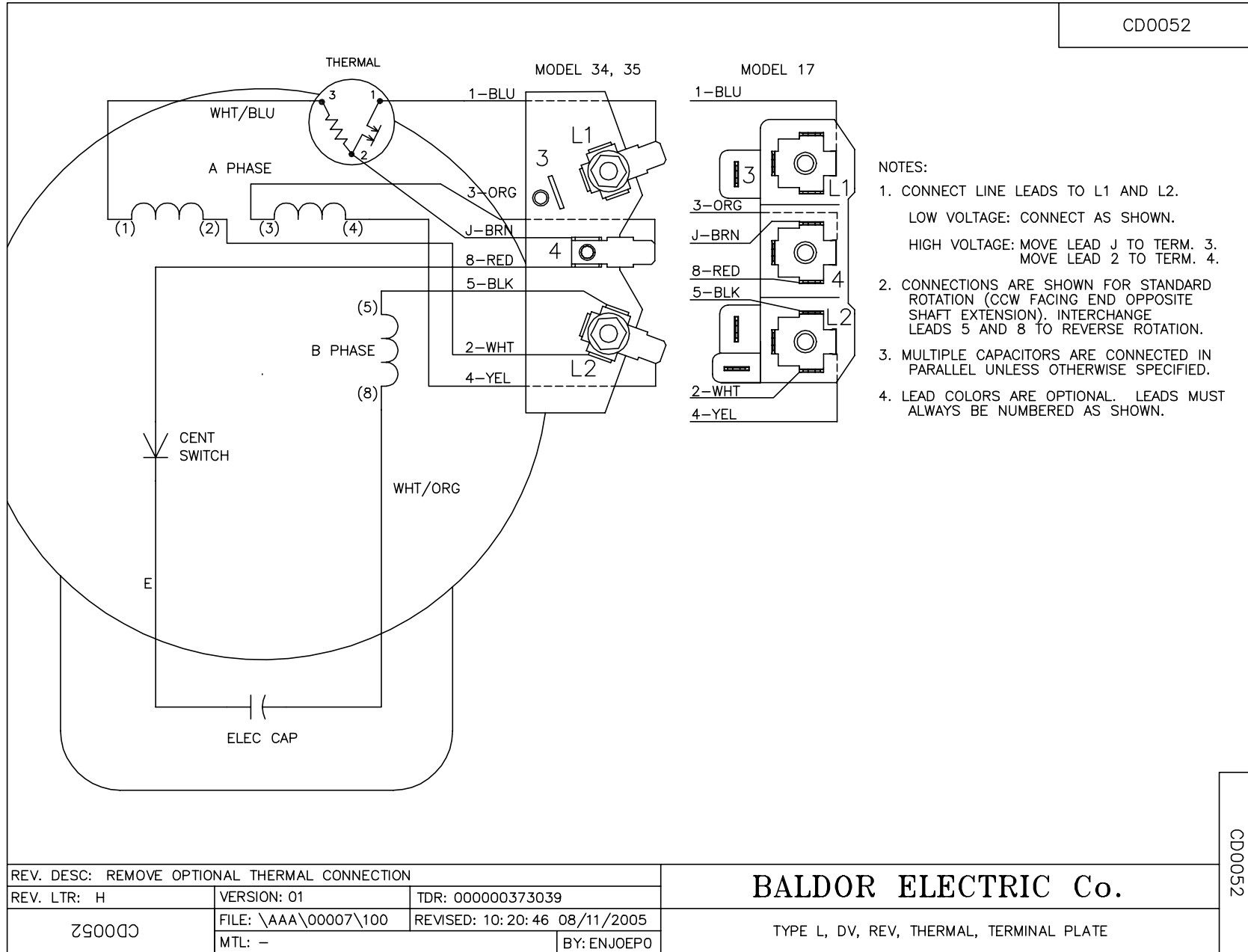
Performance Graph at 115V, 60Hz, 0.5HP Typical performance - Not guaranteed values



11/21/2016 ACPERF, record # 6896



CD0052



CD0052

REV. DESC: REMOVE OPTIONAL THERMAL CONNECTION		
REV. LTR: H	VERSION: 01	TDR: 000000373039
Z90052	FILE: \AAA\00007\100	REVISED: 10:20:46 08/11/2005
	MTL: -	BY: ENJOEPO

**BALDOR ELECTRIC Co.**

TYPE L, DV, REV, THERMAL, TERMINAL PLATE