

BALDOR® • ***RELIANCE***

Product Information Packet

SUL50306SM

3HP,1200RPM,1PH,60HZ,210TY,TENV,FOOTLES

Part Detail							
Revision:	-	Status:	PRD/A	Change #:		Proprietary:	No
Type:	AC	Prod. Type:		Elec. Spec:	A00011-B-E007	CD Diagram:	
Enclosure:	TENV	Mfg Plant:		Mech. Spec:		Layout:	066930-021
Frame:	210TY	Mounting:	V1	Poles:	06	Created Date:	04-09-2015
Base:		Rotation:	R	Insulation:	F	Eff. Date:	04-13-2015
Leads:						Replaced By:	
Literature:		Elec. Diagram:					

Nameplate 000613007AC		
CLASS I GROUP	C D X	NO. <input type="text"/>
CLASS II GROUP	X X X	
OPERATING TEMP CODE	T3C	

Nameplate 000613007MN									
CAT NO	SUL50306SM		SPEC NO.	C21G2701					
HP	3	AMPS	42.0/21.0		VOLTS	115/ 230		DESIGN	L
FRAME SIZE	X0210TY	RPM	1160		HZ	60	AMB	40	
D.E. BRG.	60BC02JPP30A		PH	1		DUTY	*		
O.D.E. BRG.	30BC02JPG30A		TYPE	CS		ENCL	TENV		
			POWER FACTOR						
			MAX CORR KVAR						
			NEMA NOM/CSA QUOTED EFF @						
SER.NO.			MOTOR WEIGHT	350		LBS.		GUARANTEED EFFICIENCY	
								100% LOAD	
	*15 MIN IN AIR ;SUB.IN								
	WATER/SEWAGE ONLY; FINAL								
	CONN@230V SEE MANUAL FOR								

Nameplate 000613007MR									
CAT NO	SUL50306SM		SPEC NO.	C21G2701					
HP	3	AMPS	42.0/21.0		VOLTS	115/ 230		DESIGN	L
FRAME SIZE	X0210TY	RPM	1160		HZ	60	AMB	40	
D.E. BRG.	60BC02JPP30A		PH	1		DUTY	*		
O.D.E. BRG.	30BC02JPG30A		TYPE	CS		ENCL	TENV		
			POWER FACTOR						
			MAX CORR KVAR						
				NEMA NOM/CSA QUOTED EFF @			NEMA-NOM-EFF		
SER.NO.				MOTOR WEIGHT	350		LBS.	GUARANTEED EFFICIENCY	
	*15 MIN IN AIR ;SUB.IN								
	WATER/SEWAGE ONLY; FINAL								
	CONN@230V SEE MANUAL FOR								

Nameplate 000692000MB	
CONTROL BOX	701455002K
MODEL NUMBER	C21G2701
HP	3 RPM 1160 VOLTS 115/230
AMPS	42.0/21.0 HZ 60
PHASE	1
W/D	413450-12
FINAL CONNECT	AT 230V
DO NOT MOUNT IN HAZARDOUS LOCATION	

Nameplate 000692000MB	
MAXDEPTH CW ROT; C21G2701J	

Parts List		
Part Number	Description	Quantity
SA297497	SA C21G2701	1.000 EA
RA284466	RA C21G2701	1.000 EA
000613007AC	UL NAMEPLATE FOR HAZARDOUS LOCATIONS	1.000 EA
000613007MN	NP,MEDIUM AC,NO CERT,STD INDUSTRIAL	1.000 EA
000613007MR	NP, MEDIUM AC, CSA, STD INDUSTRIAL	1.000 EA
000692000EJ	NAME PLATE	1.000 EA
000901001AA	LABEL WARNING	1.000 EA
424476003ZA	WIRING DIAGRAM MEDIUMA	1.000 EA
000692000MB	BALDOR RELIANCE MOTOR DATA NAMEPLATE	1.000 EA
000692000MB	BALDOR RELIANCE MOTOR DATA NAMEPLATE	1.000 EA
034692002AE	HCSPP 1/4" 304 S.S.	1.000 EA
004824015A	GREASE POLYREX EM	0.100 LB
032018012DG	HHCS 1/2-13X1-1/2 316S.S	4.000 EA
032130010DC	HSHCS 1/2-13X1-1/4 304SS	4.000 EA
032620020JD	HSSS 10-24X5/8L 304S.S.	1.000 EA
034692003AE	PPLG 3/8" 304 S.S.	2.000 EA
047174005C	SNAP RING	1.000 EA
047174005D	SNAP RING	1.000 EA
064262012C	SEAL	1.000 EA
064262012D	SEAL	1.000 EA
088207001AA	BRKT,DE,210SUB 88207-1WA	1.000 EA
088208002A	SUB PLT 210 088208002W	1.000 EA
413412004A	SUBM MOISTURE PROBE	2.000 EA
413412005S	LEAD WIRE ASSY(BLANKET	1.000 EA

Parts List (continued)		
Part Number	Description	Quantity
413480001R	RESISTOR ASSEMBLY-BLANKET	1.000 EA
421900144FU	ORING	1.000 EA
421900144FU	ORING	1.000 EA
603761001AA	LABYRINTH	1.000 EA
032018006BM	HHCS 5/16-18X3/4 PLTGRN.	1.000 EA
032018006BM	HHCS 5/16-18X3/4 PLTGRN.	1.000 EA
032018010CG	HHCS 3/8-16X1-1/4L 316SS	4.000 EA
032080003JB	HWHMS 10-24X3/8L PLTED	4.000 EA
032080003LB	HWHMS 1/4-20X3/8L PLTED	4.000 EA
034036013AB	LCKW 5/16 EXT.TOOTH LCKW	1.000 EA
047024003AH	T/LUG AMP 34112	4.000 EA
047024003B	T/LUG AMP 33218	6.000 EA
047024003E	TERMINAL LUG	3.000 EA
047024017A	QUICK CONN. 19008-002	2.000 EA
415031017A	NUT W/WASHER 10-24 C.PLT	4.000 EA
415031017B	NUT W/WASHER1/4-20 C.P	4.000 EA
421900092FU	ORING	1.000 EA
609181014D	HEAT SHRINK TUBING 3/4	8.000 EA
700385017J	CCA #8 25' 210/250	1.000 EA
701455002K	CT/BOX	1.000 EA
004824007K	SPECIAL PAINT	0.100 EA
033775004EA	DRSCR #6-1/4 304 S.S.	4.000 EA
034180009DD	KEY 1/4X1/4X1-1/8L	1.000 EA
032375012GB	HSOSS 6-32X1-1/2~ PLATED	4.000 EA

Product Information Packet: SUL50306SM - 3HP,1200RPM,1PH,60HZ,210TY,TENV,FOOTLES

034017007AB	LCKW NO.6 PLATED	4.000 EA
088206011A	BRKT,ODE,210SUB	1.000 EA
411140000AA	SWITCH ASSY SUBMERSIBLE	2.000 EA
413412007R	LEAD WIRE SWITCH	2.000 EA
421900144FU	ORING	1.000 EA
004824018AF	SHELL ROTELLA OIL 10W	2.500 LB
032018008BG	HHCS 5/16-18X1 BRASS-447	3.000 EA
032018012DG	HHCS 1/2-13X1-1/2 316S.S	4.000 EA
000901001AA	LABEL WARNING	1.000 EA
B3630-9	SUBM THERMOSTAT TAG	1.000 EA
B-3664002	TAG, (NON REGREASABLE)	1.000 EA

REL. S.O.	FRAME	HP	TYPE	PHASE/ HERTZ	RPM	VOLTS
0	X215TY	3.0	CS	1/60	1160	115/230
AMPS	DUTY	AMB °C/ INSTL.	S.F.	NEMA DESIGN	CODE LETTER	ENCL.
42.0/21.0	*	40/F	1.15	-	J	SUB
E/S	ROTOR	TEST S.O.	TEST DATE	STATOR RES. @25 °C (BETWEEN LINES)		
784008	413441-30-KE	-	-	.467/2.97		


PERFORMANCE

LOAD	HP	AMPERES	RPM	POWER FACTOR %	EFFICIENCY %
NO LOAD	0	12.5	1200	24.8	0
1/4	.66	13.2	1189	39.7	41.0
2/4	1.42	15.0	1181	54.1	56.7
3/4	2.18	17.6	1172	63.7	62.9
4/4	3.00	21.0	1160	69.1	65.6
5/4	3.64	25.0	1149	72.7	65.0

SPEED TORQUE

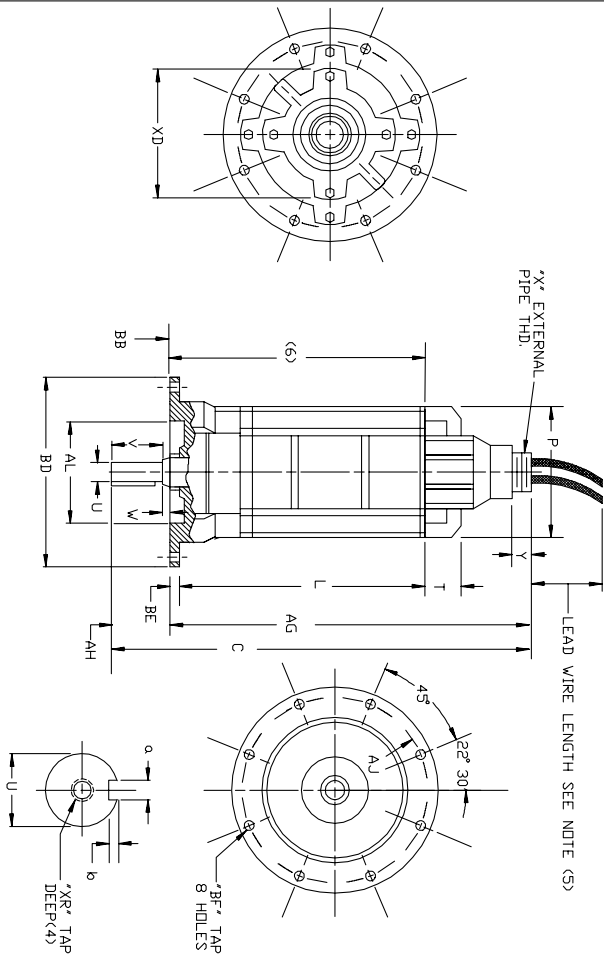
	RPM	TORQUE % FULL LOAD	TORQUE LB.-FT.	AMPERES
LOCKED ROTOR	0	166	22.5	86.0
PULL UP	925	169	23.0	79.0
BREAKDOWN	1050	217	29.5	48.0
FULL LOAD	1160	100	13.6	21.0

AMPERES SHOWN FOR 230. VOLT CONNECTION. IF OTHER VOLTAGE CONNECTIONS ARE AVAILABLE, THE AMPERES WILL VARY INVERSELY WITH THE RATED VOLTAGE
 REMARKS: TYPICAL DATA

	DR. BY	E. B. GREENE	A-C MOTOR PERFORMANCE DATA A00011-B-E007 ISSUE DATE 10/17/97
	CK. BY	K. W. RANOFF	
	APP. BY	K. W. RANOFF	
	DATE	10/17/97	

DUTY MASTER ALTERNATING CURRENT MOTORS
 SQUIRREL-CAGE INDUCTION
 ENCLOSURE: TOTALLY ENCLOSED
 SUBMERSIBLE
FRAME 210TY

066930-021



CUSTOMER IS RESPONSIBLE FOR DETERMINING THAT BALDOR'S PRODUCT WILL PERFORM SUITABLY IN THE INTENDED APPLICATION.

REV. DESC: LOAD TO BUS	VERSION: 00	TDR: 000000925374
REV. LTR: -	REVISED: 10: 39: 07 05/14/2015	BY: RGGWT
FILE: \RGG\00025\103		
MTL: -		

BALDOR
 DIM SHT,210TY,SUBMERSIBLE
 SH 1 of 1

DIMENSIONS ARE IN INCHES SEE SHEET 2 FOR MILLIMETERS

FRAME	C	L	P	T	UC(3)	V	W	AG	AH	AJ	AL(7)
210TY	32.41	21.12	11.50	2.25	1.250	2.00	.28	30.12	2.28	11.50	10.625

FRAME	BD(2)	BE	BF	XR(4)	LEAD CONNECTION			B.E. KEYWAY		WEIGHT LBS.	
					X	Y	XD	a	b		
210TY	12.38	.75	.56	1/2-13	2-1/2-8	1.25	7.75	.12	.250	.12	112

- (1) SPECIAL DIMENSIONS ON THIS LINE.
 - (2) *BD* VARIES ± .010
 - (3) *U* VARIES +.0000 - .0005
 - (4) TAP DEPTH ON 210TY IS 1.38
 - (5) LEAD WIRE LENGTH AS SPECIFIED ON SALES ORDER
 - (6) MINIMUM SUBMERGED DEPTH.
 - (7) *AL* VARIES +.004, -.000.
- FACE ROUND AND ECCENTRICITY .008 MAX. T.I.R.
 PROTECTIVE CONDUIT FURNISHED BY CUSTOMER.

120-066930