

BALDOR® • **RELIANCE**

Product Information Packet

VEBM3611T-5D

3HP,1760RPM,3PH,60HZ,182TC,3628M,TEFC,F1

Part Detail							
Revision:	F	Status:	PRD/A	Change #:		Proprietary:	No
Type:	AC	Prod. Type:	3628M	Elec. Spec:	36WGY438	CD Diagram:	CD0006
Enclosure:	TEFC	Mfg Plant:		Mech. Spec:	36M111	Layout:	36LYM111
Frame:	182TC	Mounting:	F1	Poles:	04	Created Date:	06-01-2010
Base:	N	Rotation:	R	Insulation:	F	Eff. Date:	11-16-2016
Leads:	3#16					Replaced By:	
Literature:		Elec. Diagram:					

Nameplate NP2105L										
CAT.NO.	VEBM3611T-5D									
SPEC.	36M111Y438G1									
HP	3									
VOLTS	575									
AMP	3.1									
RPM	1760									
FRAME	182TC			HZ	60		PH	3		
SER.F.	1.15		CODE	K		DES	B		CL	F
NEMA-NOM-EFF	89.5		PF	77						
RATING	40C AMB-CONT									
CC	010A			USABLE AT 208V						
DE	6206			ODE	6205					
ENCL	TEFC		SN							
	IP44									

Parts List		
Part Number	Description	Quantity
SA197449	SA 36M111Y438G1	1.000 EA
RA184840	RA 36M111Y438G1	1.000 EA
36CB3004A67	36 CB 1.09 @ 6, .88 @ 12	1.000 EA
36GS1000	GASKET-CONDUIT BOX, .06 THICK #SV-330 LE	1.000 EA
51XB1016A08	10-16X 1/2HXWSSLD SERTYB	2.000 EA
WD4500A77	CORD CONN, .50 NPT,	1.000 EA
11XW1032G06	10-32 X .38, TAPTITE II, HEX WSHR SLTD U	1.000 EA
36EP1905A03	SPL FR EP FOR SPL CI FANCOVER	1.000 EA
HW4500A01	1641B(ALEMITE)400 UNIV, GREASE FITT	1.000 EA
HW5100A05	WVY WSHR F/205 & 304 BRGS	1.000 EA
36PE3301A23	PUEP ASSEMBLY FOR ROUTING PURPOSES	1.000 EA
HW4500A01	1641B(ALEMITE)400 UNIV, GREASE FITT	1.000 EA
10XN2520A28	1/4-20X 1 3/4 HEX HD	4.000 EA
HW1001A25	LOCKWASHER 1/4, ZINC PLT .493 OD, .255 I	4.000 EA
10XN3816K64	3/8-16X4 HX HD CAP SCREW, GRADE 5	4.000 EA
HW1001A38	LOCKWASHER 3/8, ZINC PLT .688 OD, .382 I	4.000 EA
BR2001D01	DBSC SPLINED HUB 7/8 BOR	1.000 EA
WD4500A77	CORD CONN, .50 NPT,	1.000 EA
WD4108B06	T&B RB 121, 3/4 X 1/2 REDUCING BUSHING	1.000 EA
WD4608A01	.50 FLEX CONDUIT LIQ-TITE (VINYL ONLY)	0.625 FT
WD4006A01	WIRE JOINT,T&B RB-4 OR RB-44	1.000 EA
51XB1214A16	12-14X1.00 HXWSSLD SERTYB	1.000 EA
06FH1005A03	FAN COVER, MACH FOR 36EP1905A03	1.000 EA
10XN2520A36	1/4-20X 2 1/4 HEX HD X	4.000 EA

Parts List (continued)		
Part Number	Description	Quantity
HW1001A25	LOCKWASHER 1/4, ZINC PLT .493 OD, .255 I	4.000 EA
WD4100A02	DP-1000 HEYCO PLUG OR 62MP1000 MICRO PL	1.000 EA
HA1100A06	SCREEN, RODENT	1.000 EA
13XT0832A07	8-32X7/16 TYP 23 PAN HD SLT DX	4.000 EA
36CB4516	36 LIPPED CB LID	1.000 EA
37GS1001	GASKET, CONDUIT BOX LID, .06 THICK LEXID	1.000 EA
51XW0832A07	8-32 X .44, TAPTITE II, HEX WSHR SLTD SE	4.000 EA
HW2501E16	3KEY, 1/4 SQ X 1.750	1.000 EA
HA7000A02	KEY RETAINER RING, 1 1/8 DIA, 1 3/8 DIA	1.000 EA
85XU0407S04	4X1/4 U DRIVE PIN STAINLESS	2.000 EA
LB1419	CONNECTION LABEL	1.000 EA
MJ1000A02	GREASE, POLYREX EM EXXON (USe 4824-15A)	0.050 LB
36FN3000C01	EXFN, PLASTIC, 5.25 OD, .912 ID	1.000 EA
MG1000N49	MUNSELL 8.5BG 3.57/2.0, GLOSS 30, B/G,	0.022 GA
HA3101A25	THRUBOLT 1/4-20 X 11.000 OHIO ROD	4.000 EA
46BK0400C01	DBSC-V-15-MA-287/575 VAC	1.000 EA
LB1119N	WARNING LABEL	1.000 EA
LC0006	CONNECTION LABEL	1.000 EA
MN416A01	TAG-INSTAL-MAINT no wire (1200/bx) 11/14	1.000 EA
NP2105L	ALUM SUPER-E UL CSA-EEV CE CC	1.000 EA
G0PA1000	PKG GRP, PRINT PK1026A06	1.000 EA
PK3082	STYROFOAM CRADLE	1.000 EA

AC Induction Motor Performance Data

Record # 11327 - Typical performance - not guaranteed values

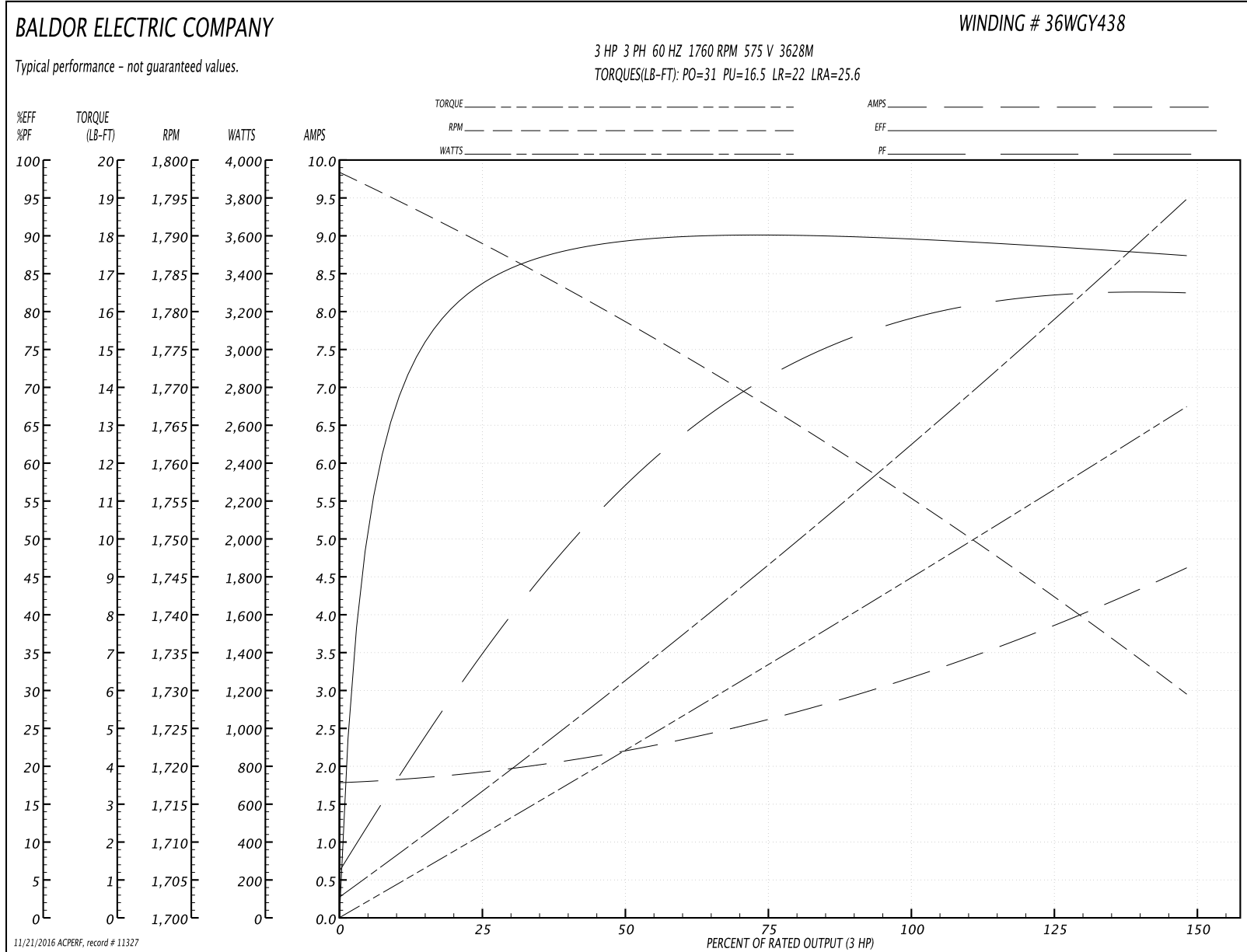
Winding: 36WGY438-R001	Type: 3628M	Enclosure: TEFC
-------------------------------	--------------------	------------------------

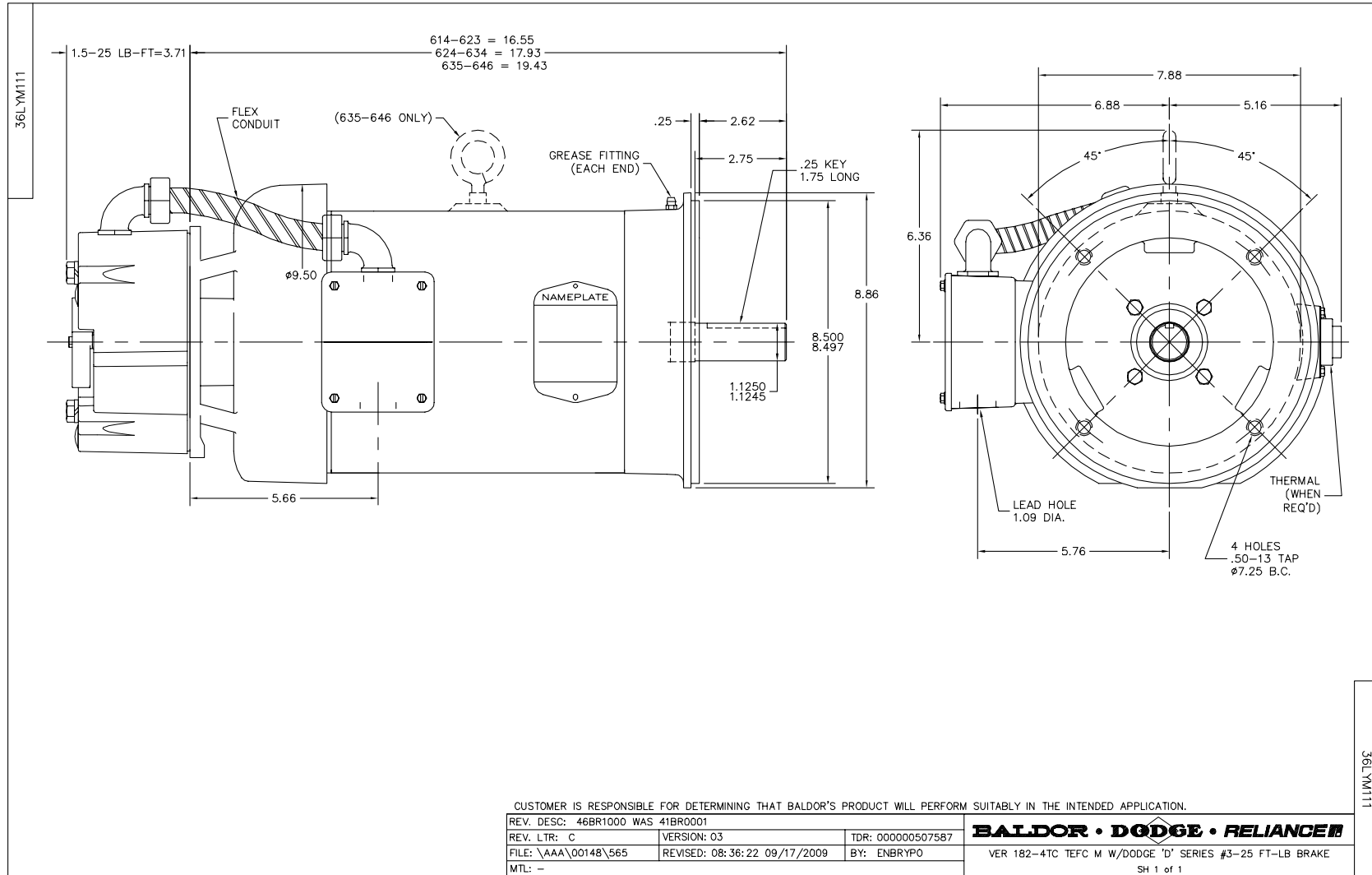
Nameplate Data				575 V, 60 Hz: Single Voltage Motor	
Rated Output (HP)	3			Full Load Torque	9 LB-FT
Volts	575			Start Configuration	direct on line
Full Load Amps	3.1			Breakdown Torque	31 LB-FT
R.P.M.	1760			Pull-up Torque	16.5 LB-FT
Hz	60	Phase	3	Locked-rotor Torque	22 LB-FT
NEMA Design Code	B	KVA Code	K	Starting Current	25.6 A
Service Factor (S.F.)	1.15			No-load Current	1.8 A
NEMA Nom. Eff.	89.5	Power Factor	77	Line-line Res. @ 25°C	6.11 Ω
Rating - Duty	40C AMB-CONT			Temp. Rise @ Rated Load	41°C
S.F. Amps				Temp. Rise @ S.F. Load	50°C
				Locked-rotor Power Factor	42
				Rotor inertia	0.263 LB-FT ²

Load Characteristics 575 V, 60 Hz, 3 HP

% of Rated Load	25	50	75	100	125	150	S.F.
Power Factor	37	58	71	77	81	83	79
Efficiency	84	89.1	90	89.7	88.7	87.3	89.1
Speed	1788	1778	1767	1756	1743	1729	1748
Line amperes	1.9	2.2	2.7	3.1	3.9	4.6	3.6

Performance Graph at 575V, 60Hz, 3.0HP Typical performance - Not guaranteed values





CD0006



NOTES:

1. THREE LEAD MOTOR MAY BE EITHER WYE CONNECTED OR DELTA CONNECTED.
2. INTERCHANGE ANY TWO LINE LEADS TO REVERSE ROTATION.
3. OPTIONAL THERMOSTATS ARE PROVIDED WHEN SPECIFIED.
4. ACTUAL NUMBER OF INTERNAL PARALLEL CIRCUITS MAY VARY.
5. LEAD COLORS ARE OPTIONAL. LEADS MUST BE NUMBERED AS SHOWN.

REV. DESC: REVISE TO SHOW OPTIONAL COLORS			
REV. LTR: D	BY: JLP	REVISED: 01/21/99 4:02	TDR: 0171435
9000D		FILE: AAA00005141	MDL: -
		MTL: -	

BALDOR ELECTRIC Co.

3PH, SV, 3 LEADS, WYE OR DELTA CONNECTED

CD0006