

# **BALDOR**® • ***RELIANCE***

## **Product Information Packet**

# **VEBNM3542**

**.75HP,1750RPM,3PH,60HZ,56C,3517M,TENV,F1**

Part Detail							
Revision:	L	Status:	PRD/A	Change #:		Proprietary:	No
Type:	AC	Prod. Type:	3516M	Elec. Spec:	35WGP667	CD Diagram:	CD0005
Enclosure:	TENV	Mfg Plant:		Mech. Spec:	35F893	Layout:	35LYF893
Frame:	56C	Mounting:	F1	Poles:	04	Created Date:	11-27-2007
Base:	N	Rotation:	R	Insulation:	F	Eff. Date:	06-10-2016
Leads:	9#18					Replaced By:	
Literature:		Elec. Diagram:					

Nameplate NP2116L	
CAT.NO.	VEBNM3542
SPEC.	35F893P667G1
HP	.75
VOLTS	208-230/460
AMP	2.5-2.2/1.1
RPM	1750
FRAME	56C
SER.F.	1.15
NEMA-NOM-EFF	84
RATING	40C AMB-CONT
CC	USABLE AT 208V
DE	6205
ENCL	TENV

CODE	M	DES	B	CL	F	PH	3
PF	73	HZ	60				
ODE	6203						
SN							

Parts List		
Part Number	Description	Quantity
SA165355	SA 35F893P667G1	1.000 EA
RA153761	RA 35F893P667G1	1.000 EA
NS2512A01	INSULATOR, CONDUIT BOX X	1.000 EA
35CB3000SP	CONDUIT BOX, CAST, W/.88 DIA. LEAD HOLE	1.000 EA
36GS1000	GASKET-CONDUIT BOX, .06 THICK #SV-330 LE	1.000 EA
51XB1016A07	10-16 X 7/16 HXWSSLD SERTYB	2.000 EA
11XW1032G06	10-32 X .38, TAPTITE II, HEX WSHR SLTD U	1.000 EA
HW3001B01	BRASS CUP WASHER, FOR #8 SCREW	1.000 EA
35EP3900T25	FR EP FACE MNT ENCL FOR BRAKE	1.000 EA
HW5100A03SP	WAVY WASHER (W1543-017)	1.000 EA
35EP3300A33	SPL FACE MTD EP -ENCL-205 BRG	1.000 EA
51XN1032A20	10-32 X 1 1/4 HX WS SL SR	2.000 EA
HW2501D10	KEY, 3/16 SQ X 1.000	1.000 EA
35CB4514GX	CONDUIT BOX LID KIT	1.000 EA
51XW0832A07	8-32 X .44, TAPTITE II, HEX WSHR SLTD SE	4.000 EA
HW2501D13	KEY, 3/16 SQ X 1.375	1.000 EA
HA7000A04	KEY RETAINER 0.625 DIA SHAFTS	1.000 EA
85XU0407S04	4X1/4 U DRIVE PIN STAINLESS	2.000 EA
MJ1000A02	GREASE, POLYREX EM EXXON (USe 4824-15A)	0.050 LB
84XN3816J28	HEX SOC HD, 3/8-16 X 1.75 LONG	2.000 EA
MG1000Y03	MUNSELL 2.53Y 6.70/ 4.60, GLOSS 20,	0.017 GA
HA3100A12	THRUBOLT 10-32 X 7.375	4.000 EA
76BK2100BQF	1-056-021-00-BQF BRAKE TDR# 79345	1.000 EA
LC0005E01	CONN.DIA./WARNING LABEL (LC0005/LB1119N)	1.000 EA

<b>Parts List (continued)</b>		
<b>Part Number</b>	<b>Description</b>	<b>Quantity</b>
NP2116L	ALUM SUPER-E UL CSA CC	1.000 EA
36PA1000	PKG GRP, PRINT PK1016A06	1.000 EA
PK3082	STYROFOAM CRADLE	1.000 EA
MN416A01	TAG-INSTAL-MAINT no wire (1200/bx) 11/14	1.000 EA

**AC Induction Motor Performance Data**  
Record # 50212 - Typical performance - not guaranteed values

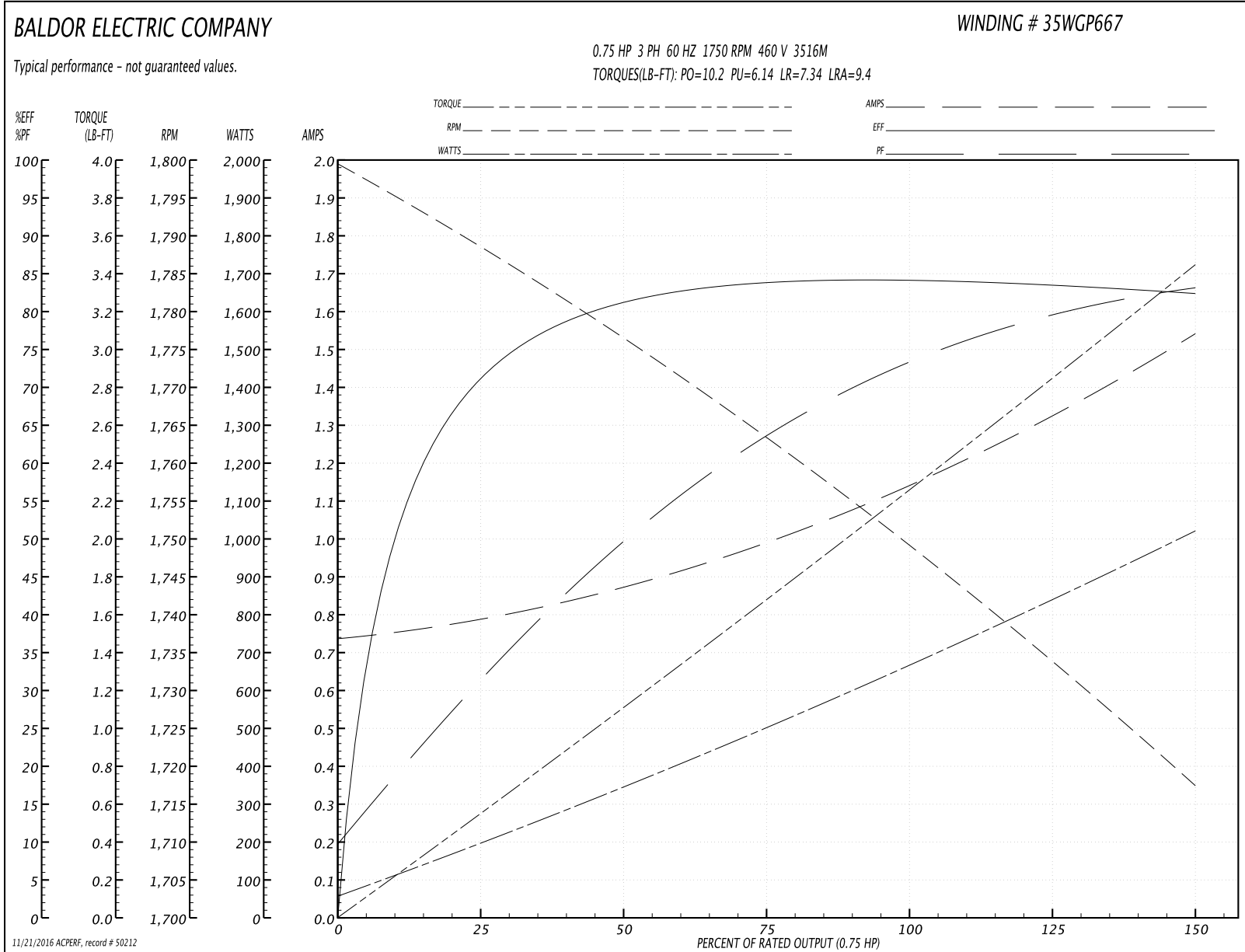
<b>Winding:</b> 35WGP667-R007	<b>Type:</b> 3516M	<b>Enclosure:</b> TENV
-------------------------------	--------------------	------------------------

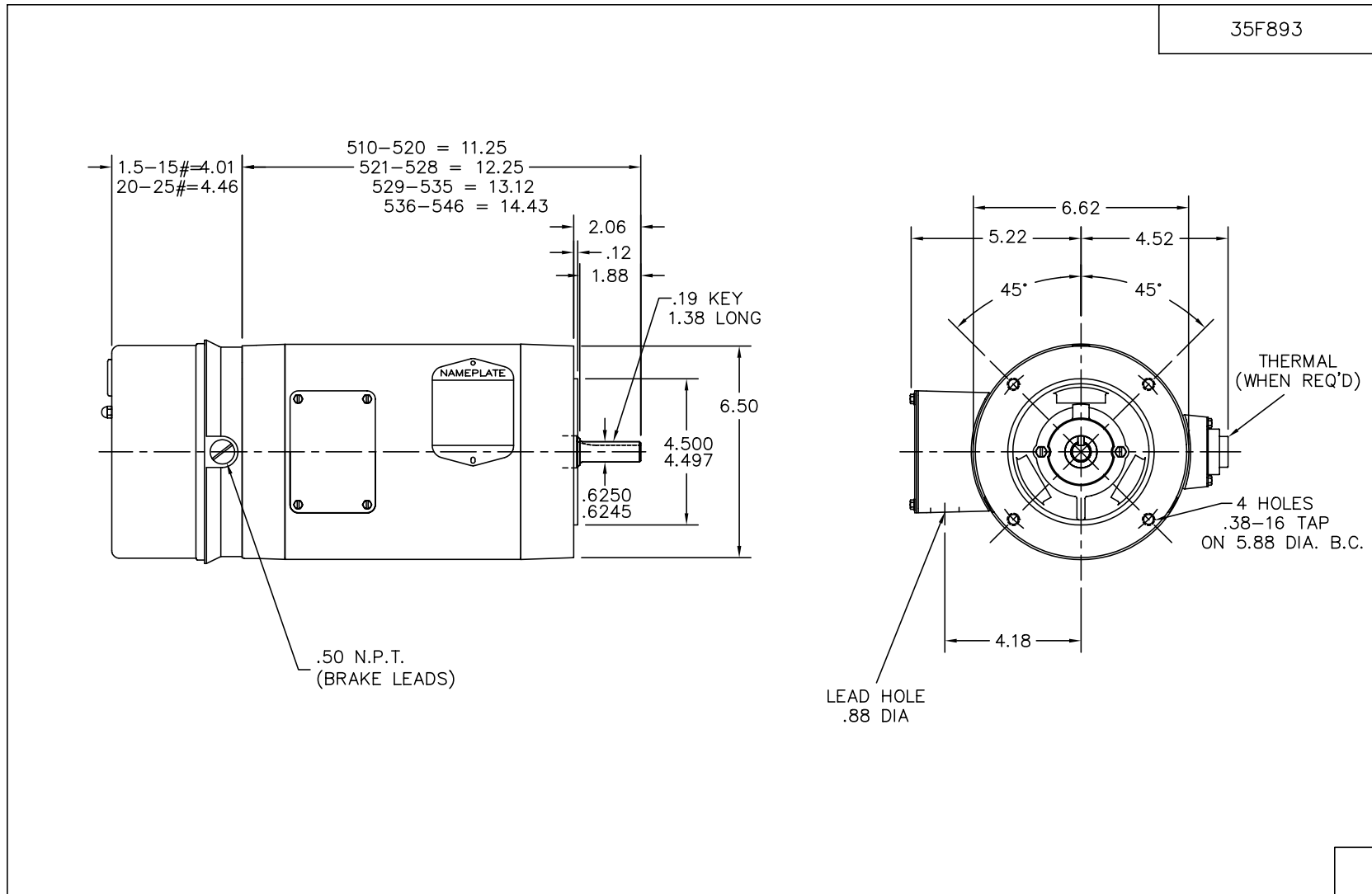
Nameplate Data				460 V, 60 Hz: High Voltage Connection	
Rated Output (HP)	.75			Full Load Torque	2.22 LB-FT
Volts	208-230/460			Start Configuration	direct on line
Full Load Amps	2.5-2.2/1.1			Breakdown Torque	10.2 LB-FT
R.P.M.	1750			Pull-up Torque	6.14 LB-FT
Hz	60	Phase	3	Locked-rotor Torque	7.34 LB-FT
NEMA Design Code	B	KVA Code	M	Starting Current	9.4 A
Service Factor (S.F.)	1.15			No-load Current	0.743 A
NEMA Nom. Eff.	84	Power Factor	73	Line-line Res. @ 25°C	22.3 Ω
Rating - Duty	40C AMB-CONT			Temp. Rise @ Rated Load	30°C
S.F. Amps				Temp. Rise @ S.F. Load	35°C
				Locked-rotor Power Factor	64.8
				Rotor inertia	0.0946 LB-FT <sup>2</sup>

Load Characteristics 460 V, 60 Hz, 0.75 HP

% of Rated Load	25	50	75	100	125	150	S.F.
Power Factor	32	49	63	72	79	84	76
Efficiency	69.5	80.4	83.8	84.3	84.1	82.1	84.4
Speed	1790	1777	1763	1750	1735	1717	1744
Line amperes	0.778	0.863	0.986	1.14	1.32	1.54	1.25

Performance Graph at 460V, 60Hz, 0.75HP Typical performance - Not guaranteed values





CUST. NAME		CUST. P.O.		CERTIFIED BY		MODEL		INSUL		AMB							
H.P.		MTG		TYPE		R.P.M.		VOLTS		ENCL		PHASE		FREQ		FRAME	
REMARKS:												<b>BALDOR ELECTRIC Co.</b>					
REV: F CHANGED FREP																	
Ω68J9Ω		SCALE: .25		BY: JKH		REVISED: 05/11/98		VERT 56C TENV 35M W/ STEARNS BRAKE (EXTERNALLY CONNECTED)									
		FILE: AAA00037663				TDR: 0149646											

35F893

CD0005



LOW VOLTAGE  
(2Y)



LINE

HIGH VOLTAGE  
(1Y)



LINE

NOTES:

1. INTERCHANGE ANY TWO LINE LEADS TO REVERSE ROTATION.
2. OPTIONAL THERMOSTATS ARE PROVIDED WHEN SPECIFIED.
3. ACTUAL NUMBER OF INTERNAL PARALLEL CIRCUITS MAY BE A MULTIPLE OF THOSE SHOWN ABOVE.
4. LEAD COLORS ARE OPTIONAL. LEADS MUST ALWAYS BE NUMBERED AS SHOWN.

REV. DESC: REVISE TO SHOW OPTIONAL COLORS			
REV. LTR: E	BY: JLP	REVISED: 01/19/99 10:15	TDR: 0171435
90000		FILE: AAA00005140	MDL: -
		MTL: -	

**BALDOR ELECTRIC Co.**

3PH, DV, 9 LEADS

CD0005