

BALDOR® • ***RELIANCE***

Product Information Packet

VEM2513T

15HP,1765RPM,3PH,60HZ,254TC,3938M,ODP,F1

Part Detail							
Revision:	E	Status:	PRD/A	Change #:		Proprietary:	No
Type:	AC	Prod. Type:	3938M	Elec. Spec:	39WGW916	CD Diagram:	CD0180
Enclosure:	OPSB	Mfg Plant:		Mech. Spec:	39M082	Layout:	39LYM082
Frame:	254TC	Mounting:	F1	Poles:	04	Created Date:	05-01-2015
Base:	N	Rotation:	R	Insulation:	F	Eff. Date:	09-06-2016
Leads:	9#12					Replaced By:	
Literature:		Elec. Diagram:					

Nameplate NP3553L										
CAT.NO.	VEM2513T									
SPEC.	39M082W916G1									
HP	15									
VOLTS	230/460									
AMP	35.4/17.7									
RPM	1765									
FRAME	254TC				HZ	60		PH	3	
SER.F.	1.15		CODE	G		DES	B		CL	F
NEMA-NOM-EFF	93		PF	86						
RATING	40C AMB-CONT									
CC	010A				USABLE AT 208V			37.4		
DE	6309				ODE	6208				
ENCL	OPSB			SN						
VPWM INVERTER READY										

Parts List		
Part Number	Description	Quantity
SA300104	SA 39M082W916G1	1.000 EA
RA287150	RA 39M082W916G1	1.000 EA
S/P107-000-005	SUPER-E PROC'S(254/6 FR.) ZK PLANT - POL	1.000 EA
HA6361A01	LIFTING LUG FOR 37, 39 & 40 FRAME ZINC	2.000 EA
HA6016	ADAPTER, CAST CONDUIT BOX	1.000 EA
09CB3000SP	CONDUIT BOX CAST	1.000 EA
51XW2520A12	.25-20 X .75, TAPTITE II, HEX WSHR SLTD	2.000 EA
HW1001A25	LOCKWASHER 1/4, ZINC PLT .493 OD, .255 I	2.000 EA
WD1000B17	T&B CX35TN TERMINAL	1.000 EA
11XW1032G06	10-32 X .38, TAPTITE II, HEX WSHR SLTD U	1.000 EA
39EP3200A02	FR E P, MACH - DR CVR MTG	1.000 EA
HA4051A00	PLASTIC CAP FOR GREASE FITTING	1.000 EA
HW5100A08	W3118-035 WVY WSHR (WB)	1.000 EA
39EP3400A01	STD FACE MTD ENDPLATE 309 BRG	1.000 EA
HA4051A00	PLASTIC CAP FOR GREASE FITTING	1.000 EA
10XN2520K28	1/4-20 X 1.75" HX HD SCRWGRADE 5, ZINC P	4.000 EA
HW1001A25	LOCKWASHER 1/4, ZINC PLT .493 OD, .255 I	4.000 EA
XY3816A12	3/8-16 FINISHED NUT	8.000 EA
HW1001A38	LOCKWASHER 3/8, ZINC PLT .688 OD, .382 I	1.000 EA
39FH4500A01	DRIP COVER, STAMPED	1.000 EA
10XN2520K16	1/4-20 X 1" HX HD SCRW GRADE 5, ZINC P	2.000 EA
HA2101A01	SPACER SCH. 80 .25 DIA. STAINLESS STEEL	2.000 EA
09CB3500SP	CONDUIT BOX LID, CAST	1.000 EA
51XW2520A12	.25-20 X .75, TAPTITE II, HEX WSHR SLTD	2.000 EA

Parts List (continued)		
Part Number	Description	Quantity
HW2501G25	KEY, 3/8 SQ X 2.875	1.000 EA
LB1115N	LABEL,LIFTING DEVICE (ON ROLLS)	1.000 EA
PK6016	BASELESS FOOT BRACKET FOR 39 & 40 FRAME	3.000 EA
10XN5013K20	1/2-13 X 1.25 LON HEX HD SCREW SAME AS	2.000 EA
HW1000A50	1/2 SAE FLAT WASHERS	2.000 EA
XY3816A12	3/8-16 FINISHED NUT	1.000 EA
39AD2002A01	BAFFLE PLATE 39 OPEN, SLOTTED BAND MTRS	1.000 EA
HW4500A03	GREASE FITTING, .125 NPT 1610(ALEMITE) 8	1.000 EA
HW4500A20	1/8NPT SL PIPE PLUG	1.000 EA
MJ1000A02	GREASE, POLYREX EM EXXON (USe 4824-15A)	0.030 LB
39AD2002A01	BAFFLE PLATE 39 OPEN, SLOTTED BAND MTRS	1.000 EA
HW4500A03	GREASE FITTING, .125 NPT 1610(ALEMITE) 8	1.000 EA
HW4500A20	1/8NPT SL PIPE PLUG	1.000 EA
MG1000Y03	MUNSELL 2.53Y 6.70/ 4.60, GLOSS 20,	0.050 GA
85XU0407S04	4X1/4 U DRIVE PIN STAINLESS	2.000 EA
HA3154A05	THRUBOLT STUD 3/8-16 X 16.875	4.000 EA
LB1119N	WARNING LABEL	1.000 EA
LC0181	CONNECTION LABEL	1.000 EA
NP3553L	ALUM SUPER-E VPWM INVERTER READY UL	1.000 EA
39PA1000	PACKAGING GROUP 39 PRINT	1.000 EA
MN416A01	TAG-INSTAL-MAINT no wire (1200/bx) 11/14	1.000 EA

AC Induction Motor Performance Data

Record # 12993 - Typical performance - not guaranteed values

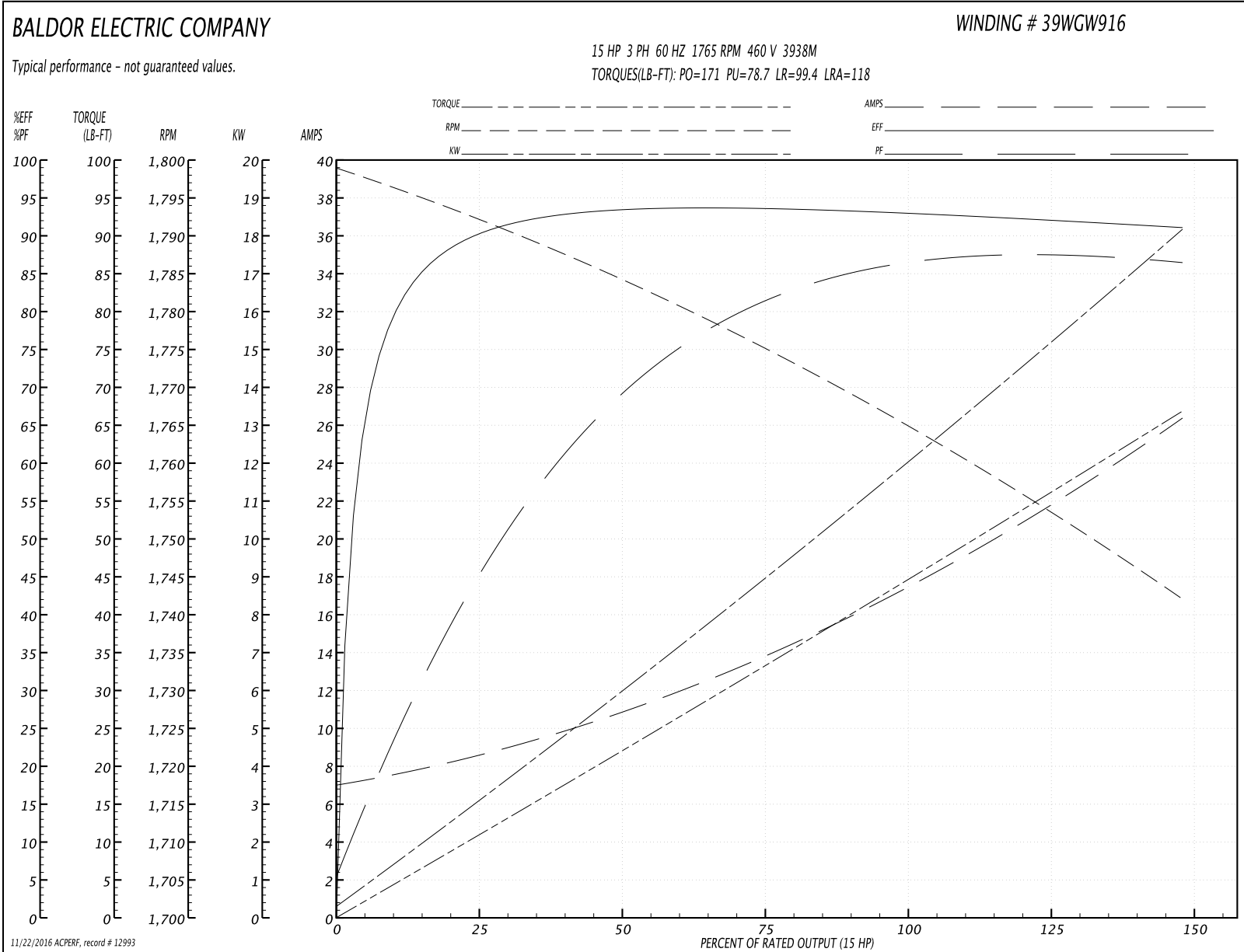
Winding: 39WGW916-R001	Type: 3938M	Enclosure: OPSB
-------------------------------	--------------------	------------------------

Nameplate Data				460 V, 60 Hz: High Voltage Connection	
Rated Output (HP)	15			Full Load Torque	44.6 LB-FT
Volts	230/460			Start Configuration	direct on line
Full Load Amps	35.4/17.7			Breakdown Torque	171 LB-FT
R.P.M.	1765			Pull-up Torque	78.7 LB-FT
Hz	60	Phase	3	Locked-rotor Torque	99.4 LB-FT
NEMA Design Code	B	KVA Code	G	Starting Current	118 A
Service Factor (S.F.)	1.15			No-load Current	7.27 A
NEMA Nom. Eff.	93	Power Factor	86	Line-line Res. @ 25°C	0.622 Ω
Rating - Duty	40C AMB-CONT			Temp. Rise @ Rated Load	22°C
S.F. Amps				Temp. Rise @ S.F. Load	29°C
				Locked-rotor Power Factor	35
				Rotor inertia	1.66 LB-FT ²

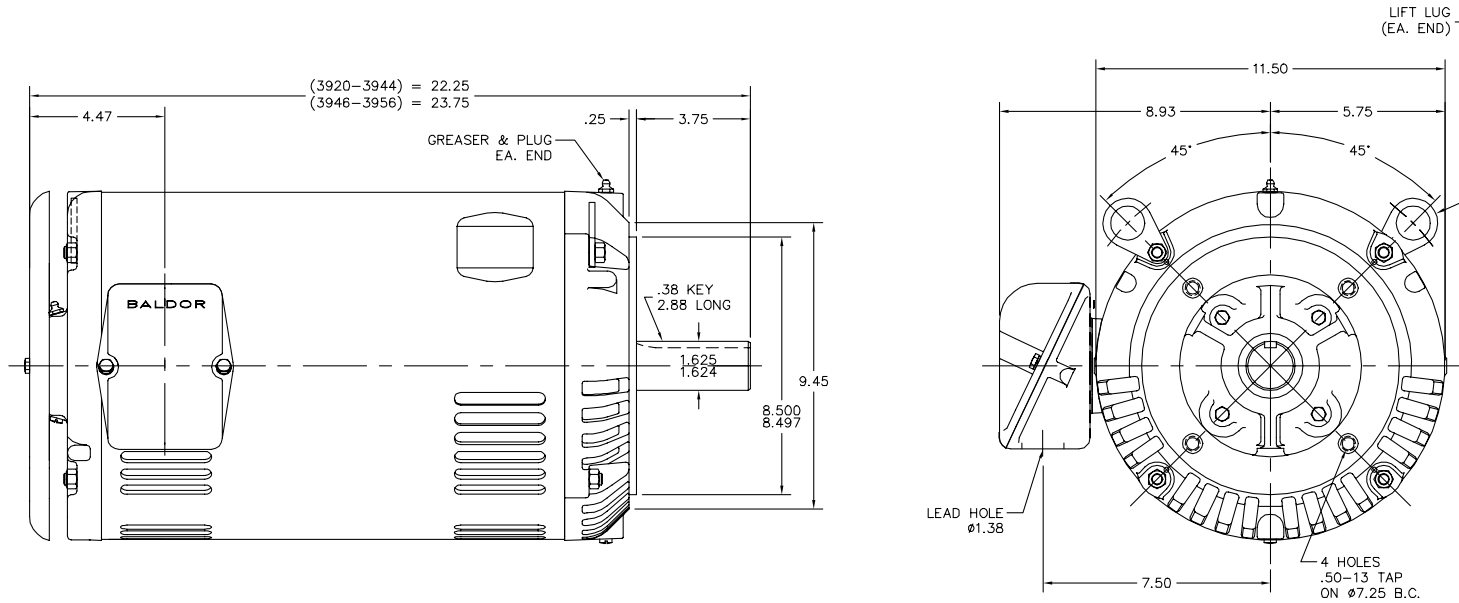
Load Characteristics 460 V, 60 Hz, 15 HP

% of Rated Load	25	50	75	100	125	150	S.F.
Power Factor	47	70	81	86	88	89	87
Efficiency	90.1	93.3	93.5	93.1	92.2	91	92.6
Speed	1792	1784	1775	1765	1754	1742	1759
Line amperes	8.27	10.72	13.99	17.67	21.74	26.21	20.11

Performance Graph at 460V, 60Hz, 15.0HP Typical performance - Not guaranteed values



39L\M082



39L\M082

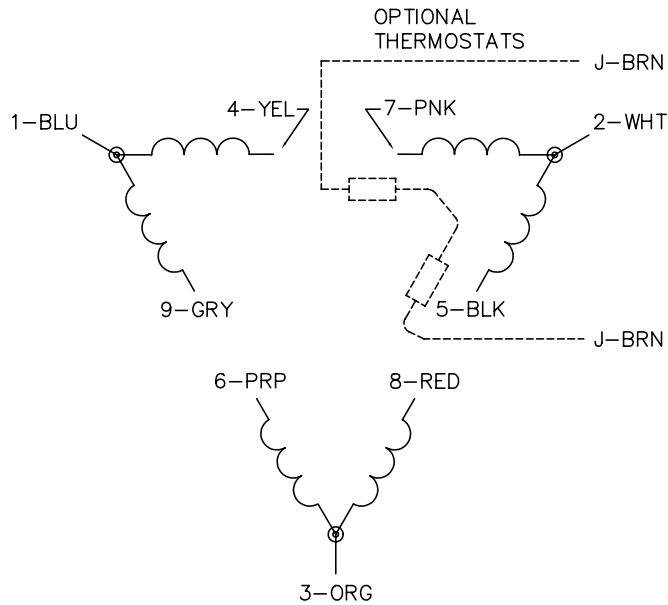
CUSTOMER IS RESPONSIBLE FOR DETERMINING THAT BALDOR'S PRODUCT WILL PERFORM SUITABLY IN THE INTENDED APPLICATION.

REV. DESC: REVISE LAYOUT TO SHOW NEW LOC. OF NP	VERSION: 03	TDR: 000000507956
REV. LTR: E	REVISED: 10:21:33 08/13/2009	BY: ENGREHO
FILE: \AAA\00049\064		
MTL: -		

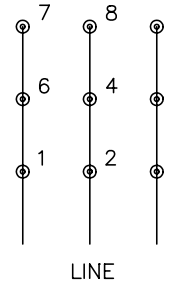
BALDOR • DODGE • RELIANCE

VERT OPSB 254-6TC W/ DRIP COVER
SH 1 of 1

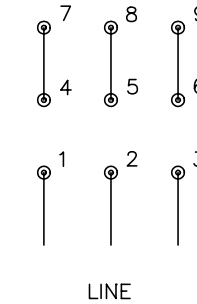
CD0180



LOW VOLTAGE
(2D)



HIGH VOLTAGE
(1D)



NOTES:

1. INTERCHANGE ANY TWO LINE LEADS TO REVERSE ROTATION.
2. OPTIONAL THERMOSTATS ARE PROVIDED WHEN SPECIFIED.
3. ACTUAL NUMBER OF INTERNAL PARALLEL CIRCUITS MAY BE A MULTIPLE OF THOSE SHOWN ABOVE.
4. LEAD COLORS ARE OPTIONAL. LEADS MUST ALWAYS BE NUMBERED AS SHOWN.

REV. DESC: REVISE TO SHOW OPTIONAL COLORS

REV. LTR: C BY: JLP

REVISED: 01/21/99 2:28

TDR: 0171435

0810D0

FILE: AAA00005148

MDL: -

MTL: -

BALDOR ELECTRIC Co.

3PH, DV, 9 LEADS, DELTA CONNECTION

CD0180