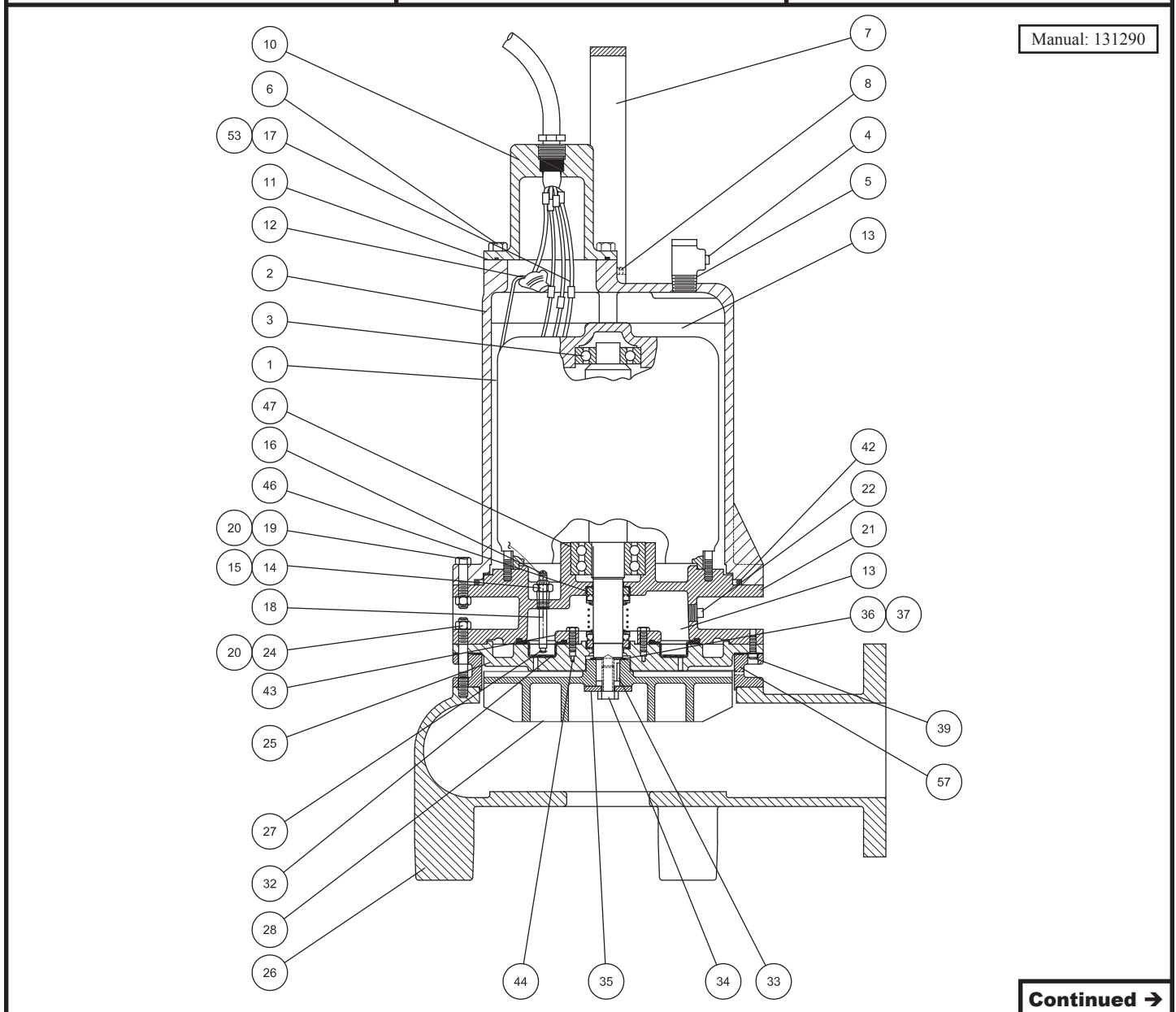


BARNES • PROSSER • CROWN SERVICE PARTS

| MODEL | PART NO. | MODEL | PART NO. | MODEL | PART NO. |
|------------|----------|------------|----------|-------------|----------|
| 4SEV4596DS | 142109 | 4SEV4524DS | 140226 | 4SEV11364DS | 140236 |
| 4SEV4546DS | 142110 | 4SEV4564DS | 140227 | 4SEV11334DS | 140237 |
| 4SEV4556DS | 142111 | 4SEV4534DS | 140228 | 4SEV11344DS | 140238 |
| 4SEV7596DS | 142112 | 4SEV4544DS | 140229 | 4SEV11354DS | 140239 |
| 4SEV7546DS | 142113 | 4SEV4554DS | 140230 | 4SEV15034DS | 140240 |
| 4SEV7556DS | 142114 | 4SEV7524DS | 140231 | 4SEV15044DS | 140241 |
| | | 4SEV7564DS | 140232 | 4SEV15054DS | 140242 |
| | | 4SEV7534DS | 140233 | | |
| | | 4SEV7544DS | 140234 | | |
| | | 4SEV7554DS | 140235 | | |



Continued →

Series 4SEV-DS

4" Horizontal Discharge - Submersible Non-Clog Pumps
4.5 - 15HP, 1150 & 1750RPM



www.cranepumps.com

BARNES • PROSSER • CROWN SERVICE PARTS

PARTS KITS

Seal Repair Kit.....P/N-130179
Overhaul Kit.....P/N-130175
Seal Tool Kit.....P/N-085737
Pressure Gauge Kit...P/N-085343

| ITEM | QTY | PART NO. | DESCRIPTION | |
|------|-------------------|-------------|--|---|
| 1 | 1 | 072692 | Motor- | 4SEV4524L |
| | | 072693 | | 4SEV4534L / 4SEV4544L |
| | | 072694 | | 4SEV7524L |
| | | 072695 | | 4SEV4564L / 4SEV7534L / 4SEV7544L |
| | | 072697 | | 4SEV7564L / 4SEV11364L / 4SEV11334L / 4SEV11344L / 4SEV15034L / 4SEV15044L |
| 2 | 1 | 053030 | Motor Housing | |
| 3 | 1 | 039734 | ◆ Ball Bearing | |
| 4 | 1 | 070624 | Pipe Closure | |
| 5 | 1 | 070623 | Pressure Relief Valve | |
| 6 | 4 | 1-529-1 | Cap Screw, | 3/8-16 x 1" Ig Stainless |
| 7 | 1 | 036863A | S.S. Lifting Strap | |
| 8 | 2 | 1-68-1 | Cap Screw, | 1/2-13 x 1-1/4" Ig Stainless |
| 10 | 1 | See Table 2 | Conduit Box & Cable Assembly | |
| 10a | 1 | ---- | Power Cable | (Not Sold Separately) |
| 10b | 1 | 072559 | * Gland Nut, | (For 7.5 & 11.3Hp 3Ph & 15Hp 575V) |
| 10c | 2 | 071431A | * Friction Ring | (For 7.5 & 11.3Hp 3Ph & 15Hp 575V) |
| 10d | 1 | 071430A | * Grommet | (For 7.5 & 11.3Hp 3Ph & 15Hp 575V) |
| 10e | 1 | ---- | * Control Cable | (Not Sold Separately) |
| 10f | 1 | 051448 | * Gland Nut | |
| 10g | 2 | 021531 | * Friction Ring | |
| 10h | 1 | 066871 | *◆ Grommet | |
| 10J | 1 | 030169 | * Ground Screw | 10-32 x 5/8 Lg Stainless |
| 11 | 1 | 051937 | *◆ Square Ring | |
| 12 | 5 | 016406 | ◆ Connector | |
| 13 | 2.5 Gal 35 oz. | 029034 | Oil - Motor Housing Oil - Seal Cavity | |
| 14 | 2 | 5-32-6 | Machine Screw | 6-32 x 1/4 Cad. Plt. Steel 5-32-6 |
| 15 | 2 | 052563 | Lockwasher | No. 6 Steel |
| 16 | 2 | 051487 | ◆ Moisture Sensor Wire | |
| 17 | 4 | 134013 | ◆ Connector | (Sensor Wires) |
| 18 | 2 | 039383 | Electrode | |
| 19 | 6 | 1-38-1 | Hex Hd Screw | 3/8-16 x 1.50" Ig Stainless |
| 20 | 6 | 15-23-1 | Nut | 3/8-16 Stainless |
| 21 | 1 | 039030 | Bearing Bracket | |
| 22 | 1 | 015000 | Pipe Plug | |
| 24 | 6 | 066103 | Stud | 3/8-16 x 3.88" Ig Stainless |
| 25 | 1 | 039038 | Seal Plate | |
| 26 | 1 | 066292 | Volute, 4SE Models | |
| 27 | 2 | 039934 | Caplug | |

Order Online: www.PumpCatalog.com

Continued →

SECTION 1D
PAGE 66
DATE 4/19



PUMPS & SYSTEMS

A Crane Co. Company

USA: (937) 778-8947 • Canada: (905) 457-6223 • International: (937) 615-3598

BARNES • PROSSER • CROWN SERVICE PARTS

PARTS LIST

| ITEM | QTY | PART NO. | DESCRIPTION | NOTES |
|------|-----|-----------|------------------------------------|--|
| 28 | 1 | | Impeller Cast Iron, 1750RPM | 4.5HP, 7.5HP, 11.3HP & 15.0HP |
| | | 136408TZ | 7.00" Dia. | 4.5HP STD |
| | | 136408TY | 7.38" Dia. | 7.5HP STD |
| | | 136408TX | 7.88" Dia. | |
| | | 136408TW | 8.00" Dia. | |
| | | 136408TV | 8.13" Dia. | |
| | | 136408TU | 8.25" Dia. | |
| | | 136408TT | 8.38" Dia. | 11.3HP STD |
| | | 136408TS | 8.50" Dia. | |
| | | 136408TR | 8.63" Dia. | |
| | | 136408TP | 8.75" Dia. | |
| | | 136408TN | 8.88" Dia. | |
| | | 136408TM | 9.00" Dia. | |
| | | 136408TL | 9.13" Dia. | |
| | | 136408TK | 9.25" Dia. | |
| | | 136408TJ | 9.38" Dia. | |
| | | 136408TH | 9.50" Dia. | |
| | | 136408TG | 9.63" Dia. | |
| | | 136408TF | 9.75" Dia. | |
| | | 136408TE | 9.88" Dia. | 15.0HP STD |
| 32 | 1 | 022873 | ◆◆ Diaphragm | |
| 33 | 1 | Q21-56-J8 | ◆◆ Shaft Key | 1/4 Sq. x 1.00" lg. Stainless |
| 34 | 1 | 11-81-1 | ◆◆ SKHD Screw | 1/2-13 x 1-1/4 lg 18-8 stainless |
| 35 | 1 | 4587-SS | ◆◆ Impeller Washer, | .531 x 1.562 Stainless |
| 36 | 2 | 001348 | ◆ Shim .031" x 1.5" O.D. | (Impeller) |
| 37 | 2 | 001349 | ◆ Shim .010" x 1.5" O.D. | (Impeller) |
| 39 | 2 | 036803 | Soc. Hd. Cap Screw | 1/4-20 x 3/4" lg Stainless |
| 42 | 1 | 056668 | ◆◆ Square-Ring | |
| 43 | 1 | 022879 | Diaphragm Clamp Ring | |
| 44 | 4 | 002203 | Cap Screw | 1/4-20 x 7/8" lg Steel |
| 46 | 1 | 039485 | ◆◆ Shaft Seal (Both Ends) | Carbon/Ceramic/Buna-N (STD) |
| 47 | 1 | 039332 | ◆ Ball Bearing | |
| 53 | 5 | 016405 | ◆ Insulator | |
| 57 | 1 | 131262 | Spacer Ring | |

| MODELS/ LENGTHS | ITEM #10 Moist. & Temp (STD) For: 7.5 & 11.3Hp, 3Ph, 230 & 460V. and 15Hp, 575V ONLY |
|--------------------|--|
| 40 Ft. (STD) | 072700XE |
| 50 Ft. | 072700XF |
| 75 Ft. | 072700XJ |
| 100 Ft. | 072700XL |
| 150 Ft. | 072700XS |

Order Online: www.PumpCatalog.com

End