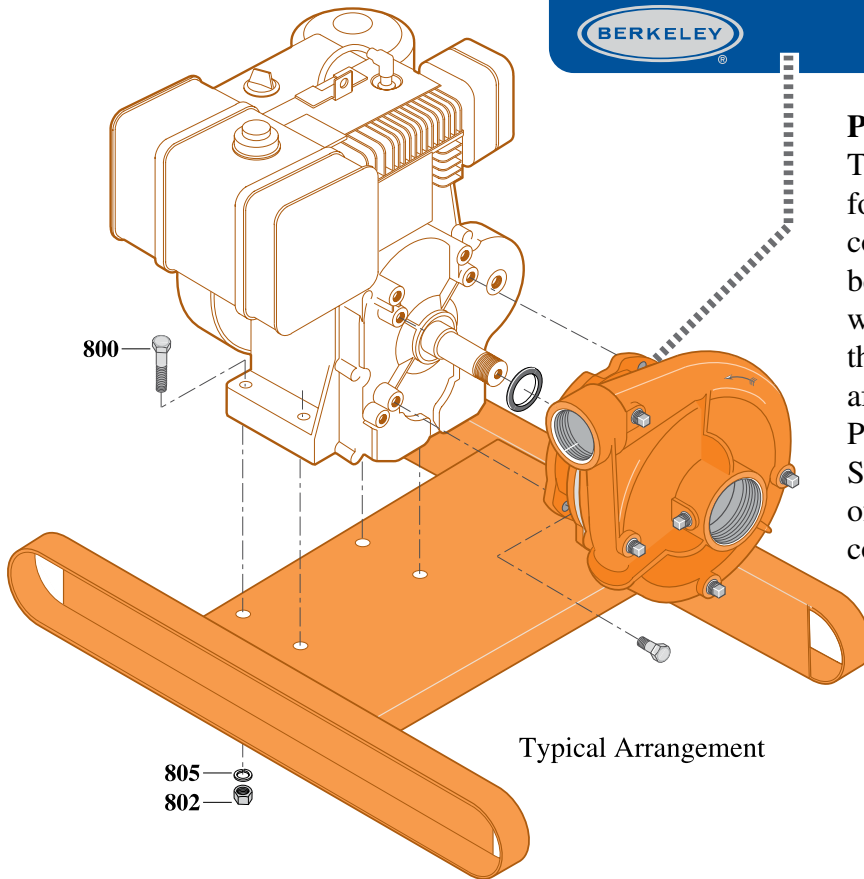
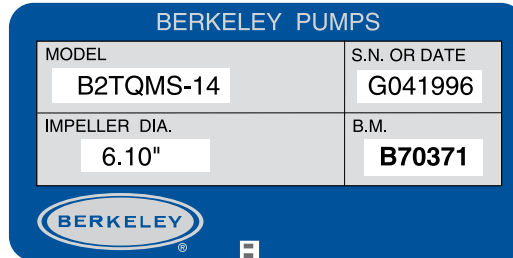




Type "B" Single Stage Centrifugal Pump Air Cooled Engine Drive

Section	AC
Page	Supplement A
Date	July 1, 2011
Supersedes 1/1/04	

SAMPLE ONLY



Typical Arrangement

Parts Ordering Information

The diagrams and parts lists given on the following pages depict a typical pump configuration. It is most important that before calling in for repair instructions, or when ordering replacement parts, locate the Berkeley nameplate on the pump. It is affixed to the motor bracket, as shown here. Provide all nameplate data, especially the S.N OR DATE number and the B.M. (Bill of Material) number to ensure receiving correct parts.

BASE M10733
BASE S37504
BASE H05248

Item	Description	Part Number
800	Capscrew, Hex 5/16-18x1-3/8 (4 Req.)	S26790
802	Nut, Hex 5/16-18 (4 Req.)	S23671
805	Spring Washer, 5/16 (4 Req.)	S23075

BASE S37505

Item	Description	Part Number
800	Capscrew, Hex 3/8-16x1-1/2 (4 Req.)	S26830
802	Nut, Hex 3/8-16 (4 Req.)	S23103
805	Spring Washer, 3/8 (4 Req.)	S23076

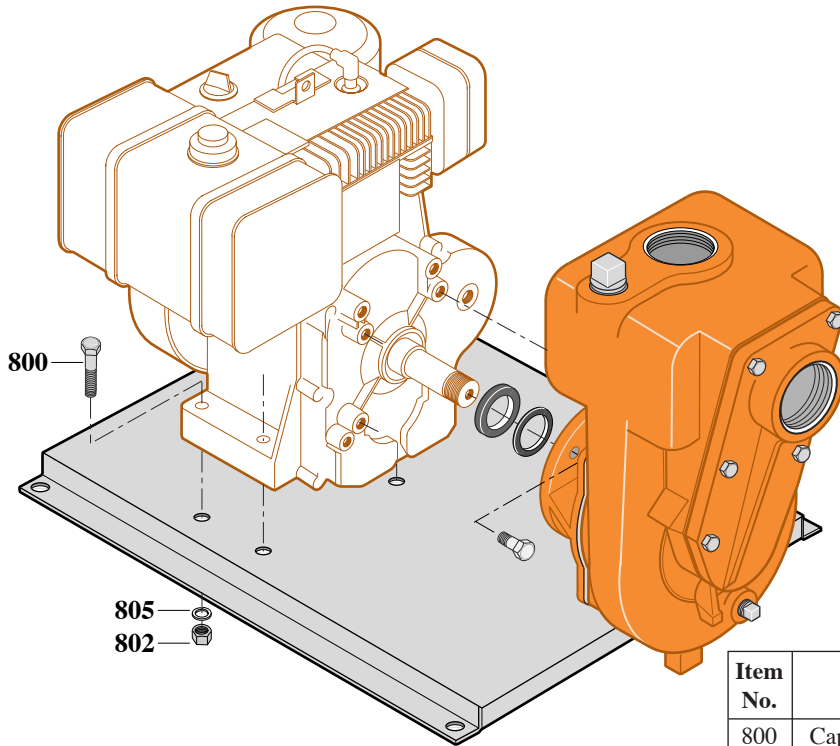
BASE S37521

Item	Description	Part Number
800	Capscrew, Hex 1/2-13x1 (4 Req.)	S26912
802	Nut, Hex 1/2-13 (4 Req.)	S23107
805	Spring Washer, 1/2 (4 Req.)	S23091



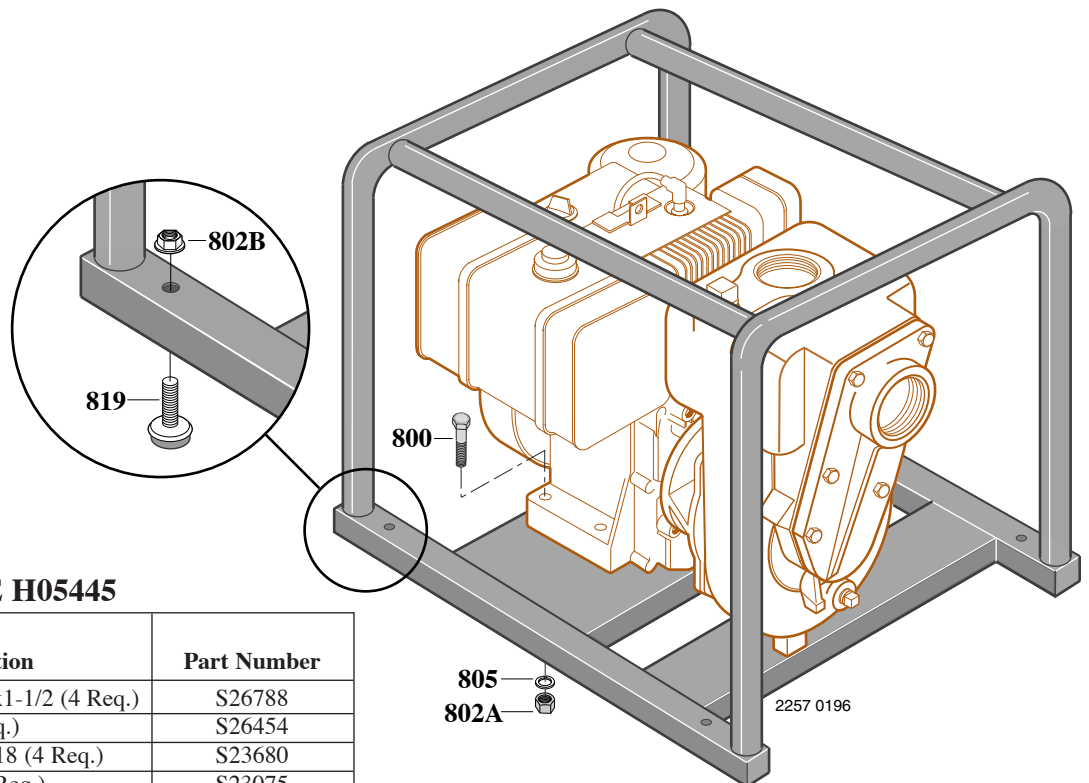
TYPE "B" SINGLE STAGE CENTRIFUGAL PUMP Air Cooled Engine Drive

Section	AC
Supplement	B
Date	January 1, 2004
Supersedes 2/1/96	



BASE L04044

Item No.	Part Description	Part Number
800	Capscrew, Hex 5/16-18x1-1/2 (4 Req.)	S26788
802	Nut, Hex 5/16-18 (4 Req.)	S23671
805	Spring Washer, 5/16 (4 Req.)	S23075



BASE H05445

Item No.	Part Description	Part Number
800	Capscrew, Hex 5/16-18x1-1/2 (4 Req.)	S26788
802A	Nut, Hex 5/16-18 (4 Req.)	S26454
802B	Nut, Hex Flanged 5/16-18 (4 Req.)	S23680
805	Spring Washer, 5/16 (4 Req.)	S23075
819	Foot, Base, Rubber Tipped (4 Req.)	M10800



**TYPE "B" SINGLE STAGE
CENTRIFUGAL PUMP
Air Cooled Engine Drive**

Section	AC
Supplement	C
Date	January 1, 2004
Supersedes 2/1/96	

REPLACEMENT AIR COOLED ENGINES

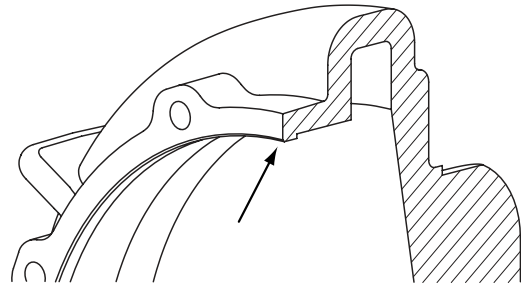
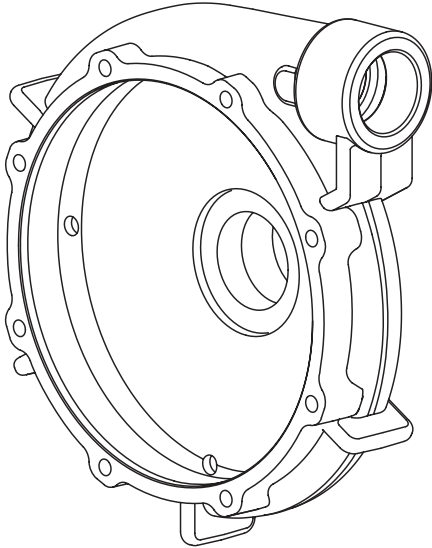
Model	HP	Engine Manufacturer	Manufacturer's Type No.	Starter	Battery Charger Generator	Fuel Tank	Crankshaft Extension	Catalog Number
EX13	4.5	Robin	Not Applicable	Rewind	Not Applicable	Included 0.70 Gal.	5/8"-18 Threaded	H05331
EX17	6	Robin	Not Applicable	Rewind	Not Applicable	Included 0.95 Gal.	5/8"-18 Threaded	H05330
EX27	9	Robin	Not Applicable	Rewind	Not Applicable	Included 1.59 Gal.	1"-14 Threaded	S30691
EH34	11	Robin	Not Applicable	12 Volt Electric	Included 10 Amp	Included 1.59 Gal.	1"-14 Threaded	H05504
EH41	13.5	Robin	Not Applicable	12 Volt Electric	Included 16 Amp	Included 1.85 Gal.	1"-14 Threaded	H05167
V-Twin	18	Briggs & Stratton Vanguard	Not Applicable	12 Volt Electric	Included 16 Amp	Not Applicable	1"-14 Threaded	H05159



Type "B" Single Stage Centrifugal Pump Air Cooled Engine Drive

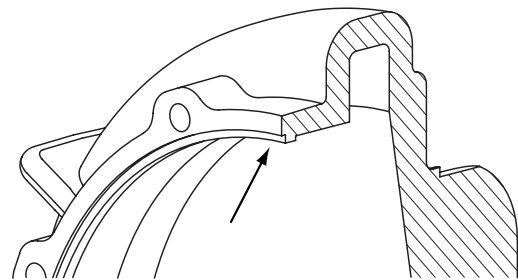
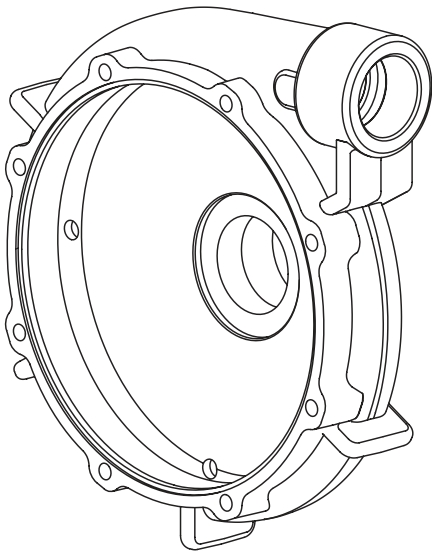
Section	AC
Page	Supplement E
Date	July 1, 2011
	New

Volute Sealing: Gasket Only



Style 1: There is a small chamfer along the back face of the volute, but no circumferential o-ring groove. This volute can **ONLY** be sealed with a gasket.

Volute Sealing: O-ring or Gasket



Style 2: O-ring groove machined into back face of volute. This volute can be sealed with a gasket or with an o-ring.