

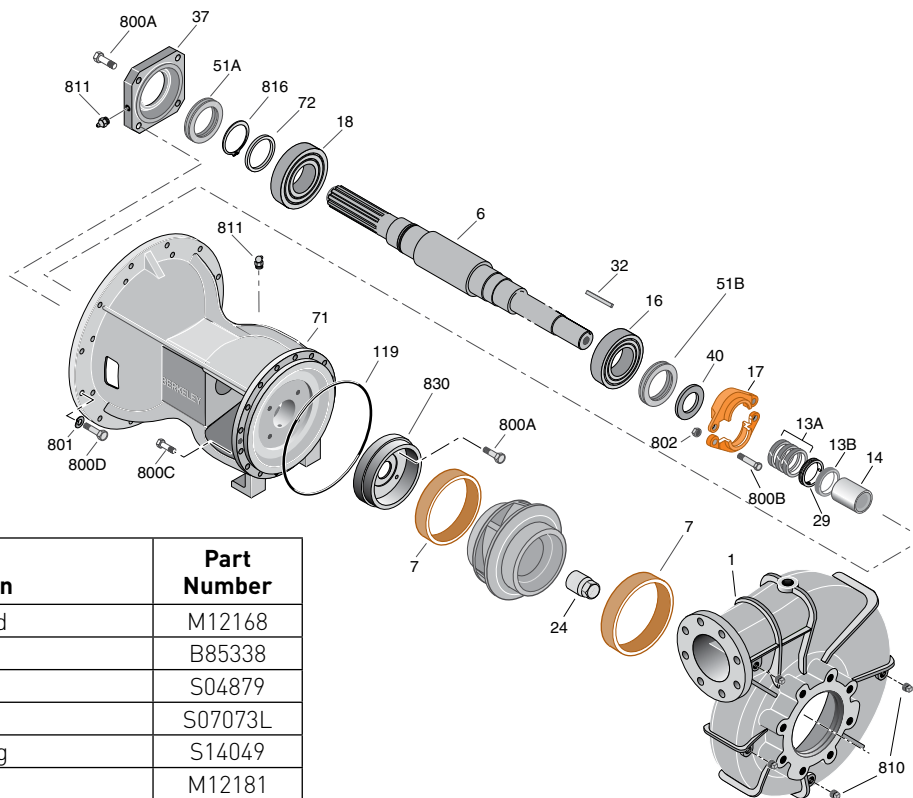
BERKELEY® B6XTQBBH

Cast Iron Impeller

SAE ENGINE MOUNT

Section	SAE
Page	245.1
Date	March 4, 2013
Supersedes 07/09/10	

B6XT Common Parts Groups Repair Parts List



Item No.	Part Description	Part Number
1	Volute Case, CW Flanged	M12168
6	Shaft	B85338
7	Wear Ring (Req. 2)	S04879
14	Shaft Sleeve	S07073L
16	Double Row Ball Bearing	S14049
18	Single Row Ball Bearing	M12181
32	Shaft Key, 3/8" Sq.	M14681
37	Bearing Cap	M12174
40	Water Slinger	M09682
51A	Grease Seal	M12241
51B	Grease Seal	M12177
71	Bracket	M12173
72	Thrust Ring	M12182
119	O-Ring	S14444
800A	3/8-16x1" Lg. Hex Hd Capscrew (8 Req.)	S26826
800C	5/8-11 x 1-1/2" Hex Hd Capscrew (16 Req.)	S26999
800D	3/8-16 x 1-1/4" Lg. Hex Hd. Capscrew (12 Req.)**	S26828
801	3/8" Lock Washer**	S23036
810	1/2" NPT Sq. Hd. Pipe Plug (4 Req.)	S23717
811	Grease Fitting (2 Req.)	M11141
816	External Retaining Ring	M12183
830	Balance Hub	M12175

Packing Components

Item No.	Part Description	Part Number
13A	Packing Ring (Req. 3)	S08294
13B	Metallic Packing Ring	S11093
17	Split Packing Gland	B82473
24	Locknut, Impeller	S07829
29	Lantern Ring	S19198
800B	1/2-13 x 2-3/4" Bolt (2 Req.)	S23794
802	1/2-13 Hex Nut (2 Req.)	S23347

*Replacement shaft sold as kit only. Kit includes Items No. 6 shaft, 14 sleeve and 16 and 18 bearings, 40 waterslinger, 72 thrust ring, and 816 retaining ring.

**Models B85335 and B85336 only.

Refer to following page for model specific repair parts listing.



BERKELEY® B6XTQBH

Cast Iron Impeller

SAE ENGINE MOUNT

Section	SAE
Page	245.2
Date	March 4, 2013
Supersedes 07/09/10	

B6XTQBH Series SAE 1, 2 & 3

Pump Series	Catalog Number	SAE	Style	Impeller	Impeller Locknut	SAE Adapter Kit*	Replacement Shaft Kit	Replacement Coupling
B6XTQBH Packing Construction	B85333	2/3	Flanged Suction Kit	M14679	S07829	-	B85338	B85410
	B85335	1	8-1/2"x13-1/2" B59878	15-1/2" Dia.		B80294		
	B85334	2/3	Flanged Discharge Kit	M14680	S07829	-		
	B85336	1	6" x 11" B59872	14" Dia.		B80294		

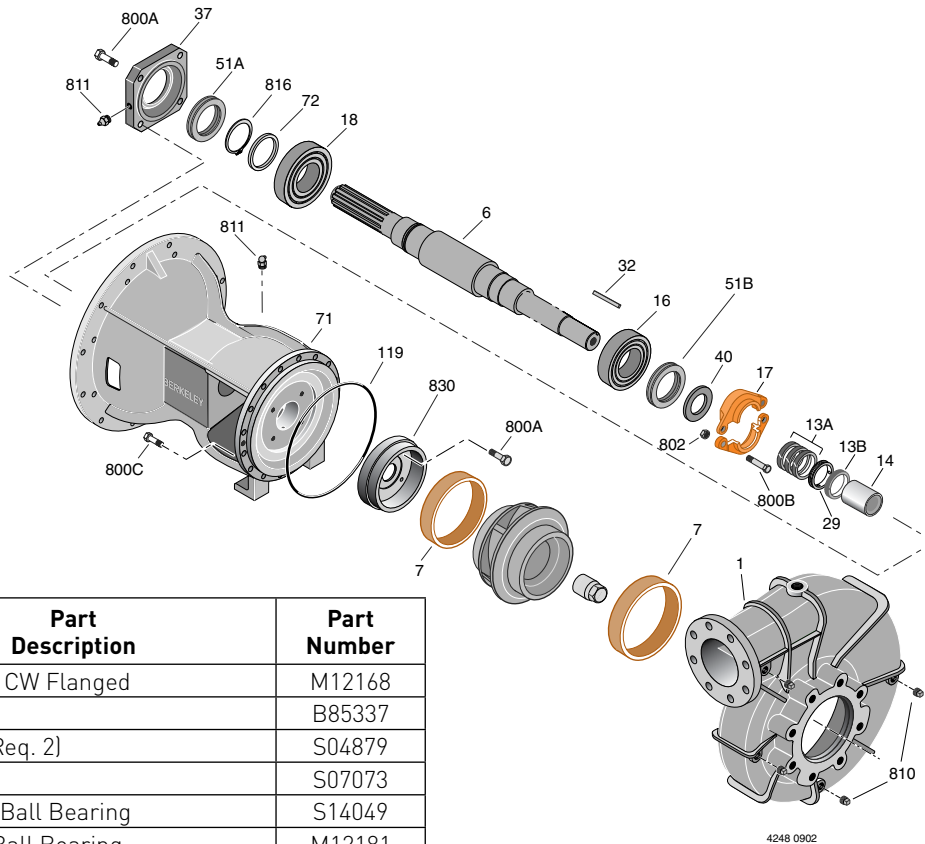
* Not illustrated.

BERKELEY® B6XTQBH Cast Iron Impeller

SAE ENGINE MOUNT

Section	SAE
Page	245.3
Date	March 4, 2013
Supersedes 04/15/06	

B6XT Common Parts Groups Repair Parts List



Item No.	Part Description	Part Number
1	Volute Case, CW Flanged	M12168
6	Shaft	B85337
7	Wear Ring [Req. 2]	S04879
14	Shaft Sleeve	S07073
16	Double Row Ball Bearing	S14049
18	Single Row Ball Bearing	M12181
32	Shaft Key, 3/8" Sq.	M14681
37	Bearing Cap	M12174
40	Water Slinger	M09682
51A	Grease Seal	M12241
51B	Grease Seal	M12177
71	Bracket	M12173
72	Thrust Ring	M12182
119	O-Ring	S14444
800A	3/8-16 x 1" Lg. Hex Hd Capscrew [8 Req.]	S26826
800C	5/8-11 x 1-1/2" Hex Hd Capscrew [16 Req.]	S26999
810	1/2" NPT Square Hd. Pipe Plug [4 Req.]	S23717
811	Grease Fitting [2 Req.]	S23702
816	External Retaining Ring	M12183
830	Balance Hub	M12175

Packing Components

Item No.	Part Description	Part Number
13A	Packing Ring [Req. 3]	S08294
13B	Metallic Packing Ring	S11093
17	Split Packing Gland	B82473
29	Lantern Ring	S19198
800B	1/2-13 x 2-3/4" Bolt [2 Req.]	S23794
802	1/2-13 Hex Nut [2 Req.]	S23347

Refer to following page for model specific repair parts listing.



BERKELEY® B6XTQBH

Cast Iron Impeller

SAE ENGINE MOUNT

Section	SAE
Page	245.4
Date	March 4, 2013
Supersedes 04/15/06	

B6XTQBH Series SAE 1, 2 & 3

Pump Series	Catalog Number	SAE	Style	Impeller	Impeller Locknut	SAE Adapter Kit	Replacement Shaft Kit	Replacement Coupling
B6XTQBH Packing Construction	B85333	2/3	Flanged Suction Kit	M14679	S07829	-	B85337	B77605
	B85335	1	8-1/2"x13-1/2" B59878	15-1/2" Dia.		M12423		
	B85334	2/3	Flanged Discharge Kit	M14680	S07829	-		
	B85336	1	6" x 11" B59872	14" Dia.		M12423		

BERKELEY® B6XTQBHS

SAE ENGINE MOUNT

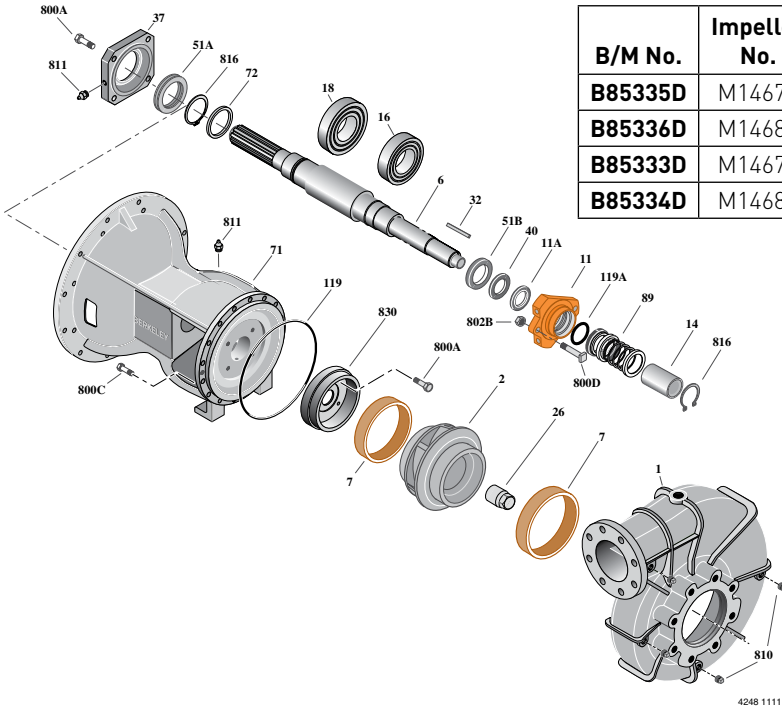
Cast Iron Impeller

Flanged Case, Mechanical Shaft Seal Construction

Section	SAE
Page	245.5
Date	March 4, 2013
Supersedes 01/01/12	

Table I

B/M No.	Impeller No.	Impeller Dia.	Bracket No.	Shaft No.	Shaft Spline No.	Shaft Ext.
B85335D	M14679	15-1/2"	M14962	M14678	1-1/2-10T	3"
B85336D	M14680	14"	M14962	M14678	1-1/2-10T	3"
B85333D	M14679	15-1/2"	M14962	M14678	1-1/2-10T	3"
B85334D	M14680	14"	M14962	M14678	1-1/2-10T	3"



4248 1111

Item No.	Part Description	Part Number
1	Case, Volute	M12168
2	Impeller	See Table 1
6	Shaft	See Table 1
7	Ring, Wearing [2 Rqd.]	S04879
11	Retainer, Mechanical Shaft Seal, Dry Run	M14960
11A	Dry run Gland Lip Seal	M12177
14	Sleeve, Shaft	S07073L
16	Bearing, Ball	S14049
18	Bearing, Ball	M12181
26	Locknut, impeller	S07829
32	Shaft key, 3/8" x 3/8" x 3-1/2"	M14681
37	Outer Bearing Cap Assembly	M12174
40	Slinger, Water	M09682
51A	Seal, Oil	M12241
51B	Seal, Oil	M12177
71	Bracket	See Table 1
72	Thrust Ring	M12182
89	Seal, Mechanical Shaft	M12469
119	O-Ring (Volute)	S14444

Item No.	Part Description	Part Number
119A	O-Ring (Gland)	M14973
800A	Capscrew, Hex 3/8-16x1" [8 Rqd.]	S26826
800C	Capscrew, Hex 5/8-11x1-3/4" [2 Rqd.] top ctr	S27001
802	Nut, Hex 1/2-13 [2 Rqd.]	S23347
810	Plug, Pipe 1/2 NPT [4 Rqd.]	S23717
811	Fitting, Grease	S23702
816	Ring, Retaining	M12183
830	Hub, Balance	M15164
•	Ring, Adapter, SAE 1/2	B80294
•	Coupling, replacement elastomeric	B85410

• Not illustrated.

NOTE 1: Shaft Replacement Kit is available for this model. Berkeley part number **B71894**. Pump shaft sold in replacement kit only. Refer to **Supplement C** for shaft kit components.

NOTE 2: Refer to **Supplement F** for dry run tank repair parts. Dry run lubrication system requires one gallon of food grade hydraulic oil (FGHO), viscosity 150 SSU at 100° F. Oil not supplied, purchase locally.

