

**xylem**  
Let's Solve Water

**TECHNICAL BROCHURE**

B4INGFK R1



# 4" GFK Series

SUBMERSIBLE SEWAGE PUMPS

 **GOULDS**  
WATER TECHNOLOGY  
a xylem brand

Order Online: [www.PumpCatalog.com](http://www.PumpCatalog.com)

## FEATURES

**SELF-CLEANING:** The patented design of the self-cleaning K-impeller has been proven to reduce clogging and maintain efficiency when pumping wastewater

**POWERFUL:** An efficient air-filled motor provides built-in thermal overload protection allowing the pump to run continuously without overheating

**ROBUST:** Components are made from robust cast iron for long life and easy maintenance

**DURABLE:** Heavy-duty long life bearings provide peace of mind

## APPLICATIONS

Used in a variety of residential, commercial and industrial applications such as:

- Sewage systems
- Flood and pollution control
- Dewatering/effluent
- Farms
- Hospitals
- Trailer courts
- Motels

## SPECIFICATIONS

- **Capacity:** up to 1600 GPM
- **Total head:** up to 112 feet
- **Insulation:** Class F: 310° F (155° C)
- **Maximum Fluid Temperature:** 104° F (40° C)
- **Phase:** Three-phase
- **Frequency:** 60 Hz
- **Impeller:** GFK Series: Self-cleaning K-impeller
- **Motor:** Air-filled 1750 rpm
- **Bearings:** Single row ball bearings
- **Upper-Lower Seal Configurations (configurations vary by model):**
  - Carbon/Aluminum Oxide - Aluminum Oxide/WCCR
  - Carbon/WCCR - WCCR/WCCR
- **Cable Length:** 50 ft (16 m) power cord

## AGENCY LISTINGS



Tested to UL 778 and CSA 22.2 108 standards by Canadian Standards Association

**PRODUCT SPECIFICATIONS**

GWT Part No.	HP	Phase	Hz	Voltage	Max Amps	Weight (lbs.)				
4GFK5022U	5	3	60	200	16	210				
4GFK5023U				230	14					
4GFK5024U				460	6.9					
4GFK5025U				575	6					
4GFK1022W	10			3	60	200	31	309		
4GFK1023W						230	26			
4GFK1024W						460	13			
4GFK1025W						575	11			
4GFK2022Y	20					3	60	200	59	397
4GFK2023Y								230	52	
4GFK2024Y								460	26	
4GFK2025Y								575	21	

**DIMENSIONS**

**4GFK 5 HP**

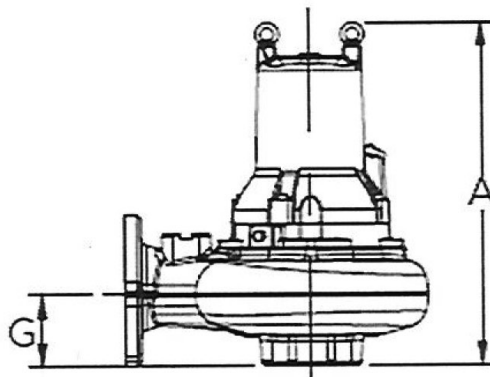
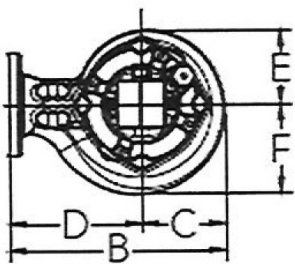
- A = 20.63"
- B = 18.27"
- C = 7.05"
- D = 11.22"
- E = 6.34"
- F = 7.64"
- G = 4.29"

**4GFK 10 HP**

- A = 23.31"
- B = 20.59"
- C = 8.39"
- D = 12.21"
- E = 7.64"
- F = 9.13"
- G = 4.61"

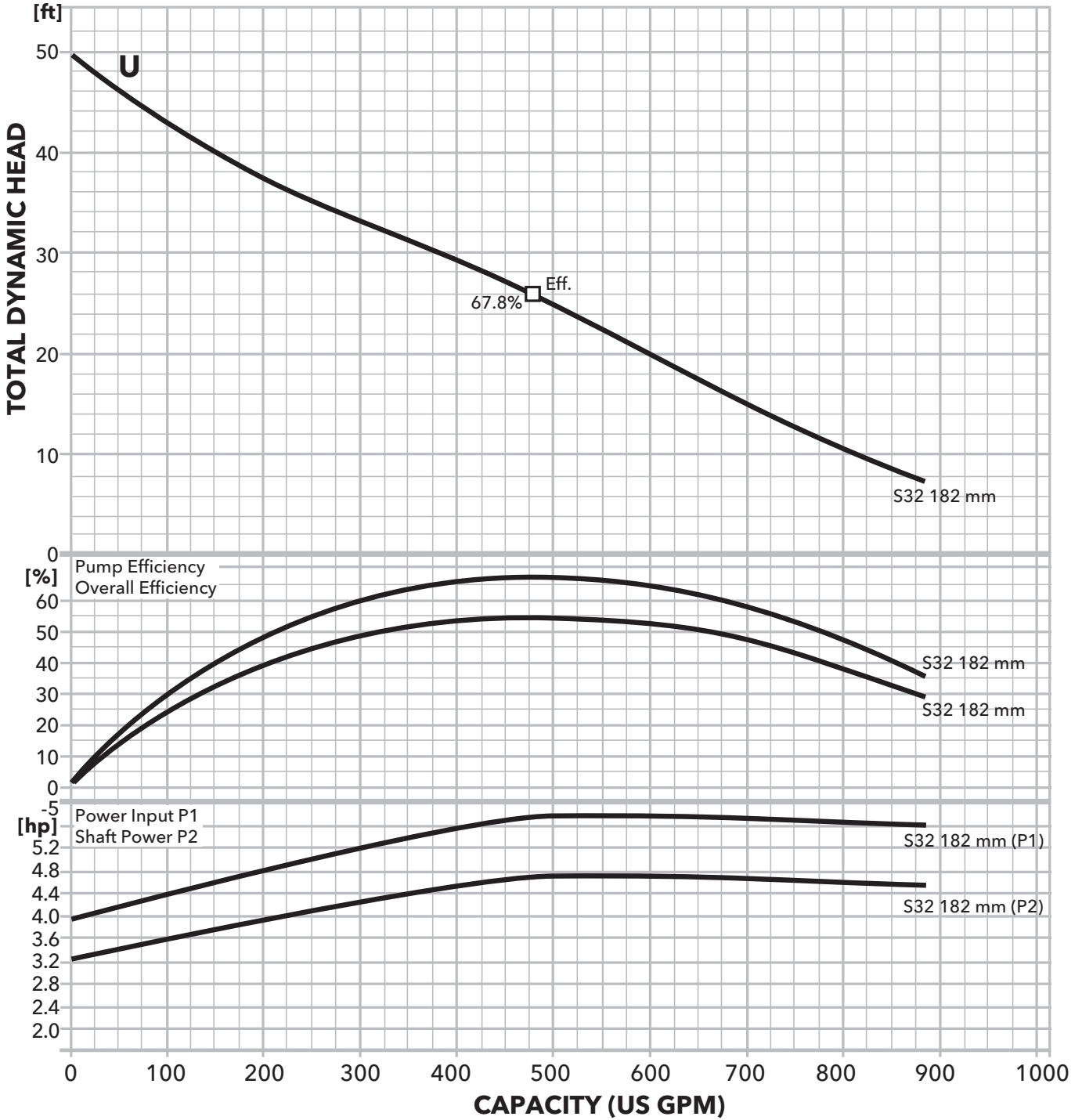
**4GFK 20 HP**

- A = 26.26"
- B = 20.91"
- C = 7.91"
- D = 12.99"
- E = 7.28"
- F = 8.66"
- G = 4.33"



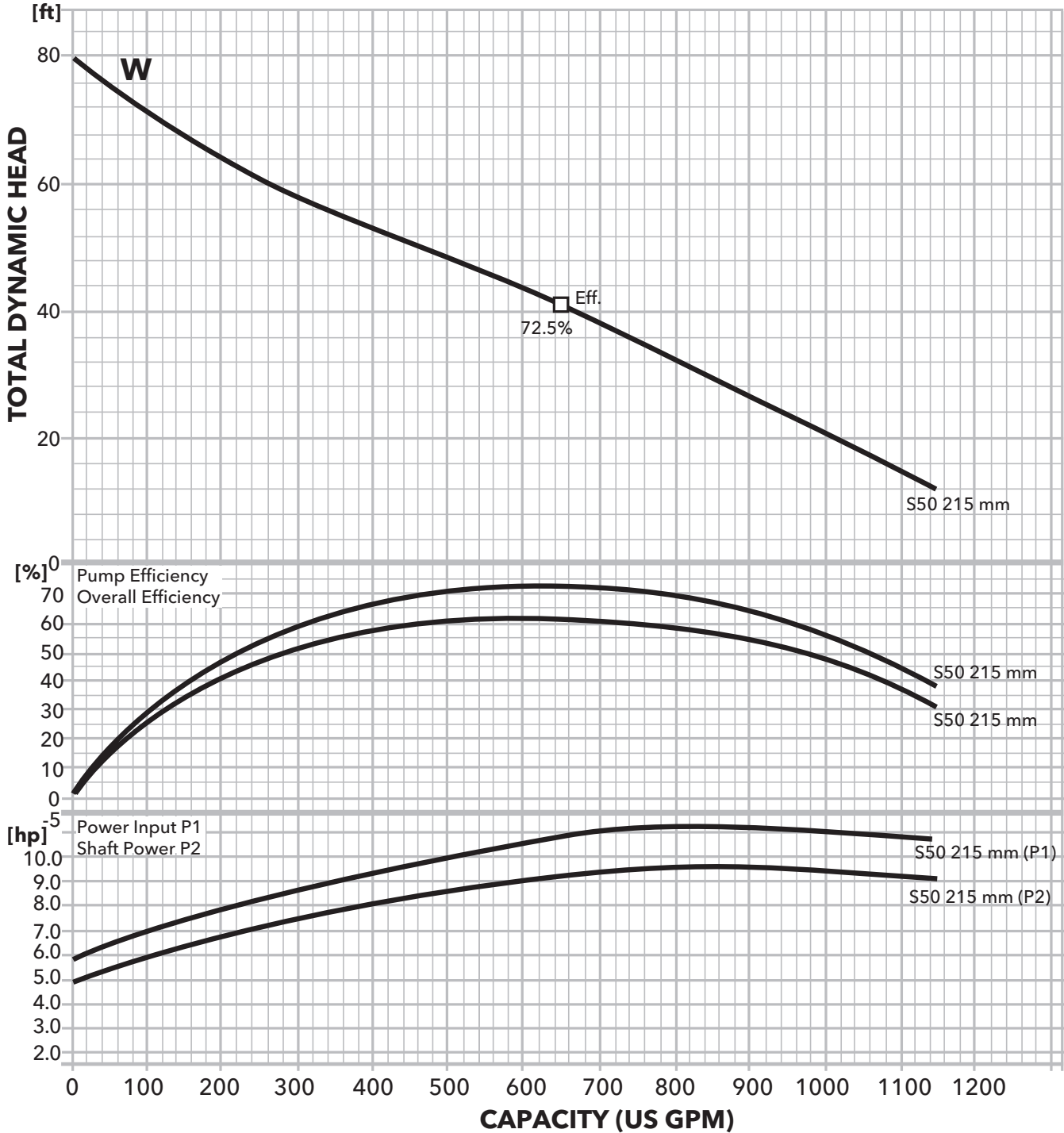
PERFORMANCE CURVES

4" GFK 5 HP - U



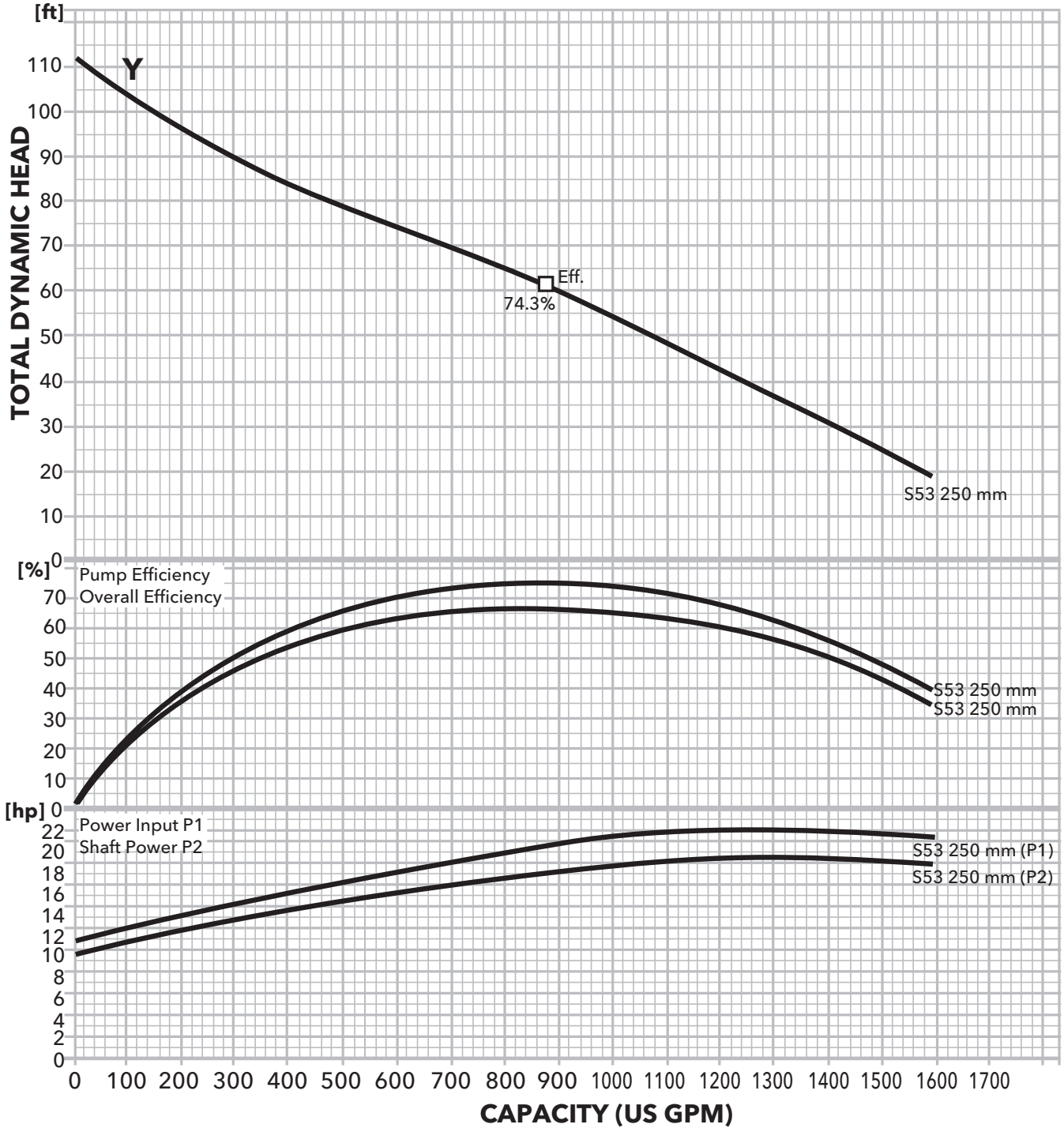
PERFORMANCE CURVES

4" GFK 10 HP - W



PERFORMANCE CURVES

4" GFK 20 HP - Y



**NOTES**

## Xylem |'zīləm|

- 1) The tissue in plants that brings water upward from the roots;
- 2) a leading global water technology company.

We're a global team unified in a common purpose: creating advanced technology solutions to the world's water challenges. Developing new technologies that will improve the way water is used, conserved, and re-used in the future is central to our work. Our products and services move, treat, analyze, monitor and return water to the environment, in public utility, industrial, residential and commercial building services settings. Xylem also provides a leading portfolio of smart metering, network technologies and advanced analytics solutions for water, electric and gas utilities. In more than 150 countries, we have strong, long-standing relationships with customers who know us for our powerful combination of leading product brands and applications expertise with a strong focus on developing comprehensive, sustainable solutions.

**For more information on how Xylem can help you, go to [www.xylem.com](http://www.xylem.com)**

**xylem**  
Let's Solve Water

Xylem Inc.  
Phone: (866) 325-4210  
Fax: (888) 322-5877  
[www.xylem.com/goulds](http://www.xylem.com/goulds)

Goulds is a registered trademark of Goulds Pumps, Inc. and is used under license.  
© 2020 Xylem Inc. B4INGFK R1 April 2020

**Order Online: [www.PumpCatalog.com](http://www.PumpCatalog.com)**