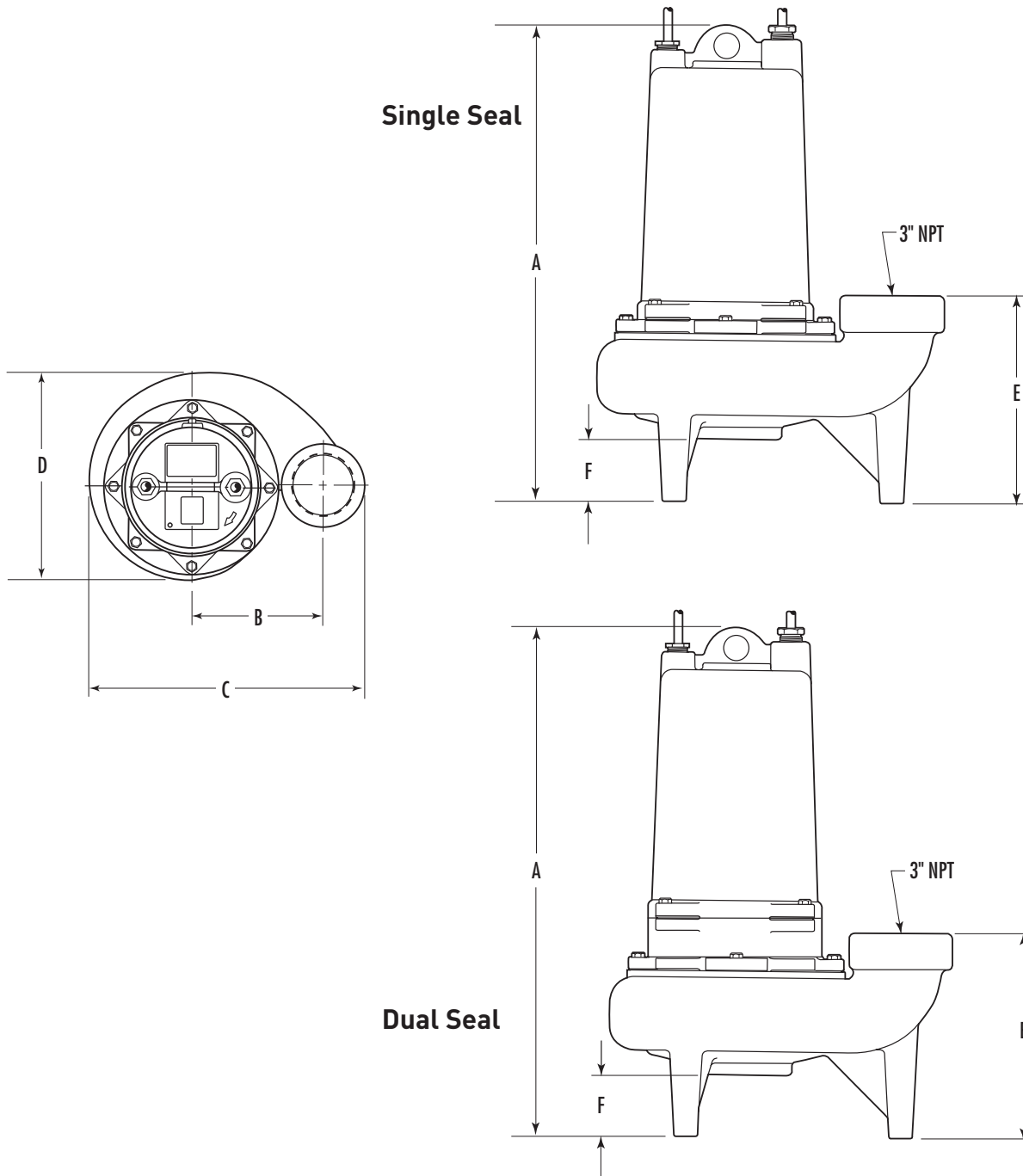


Dimensional Data – S3W-1750 RPM



	A	B	C	D	E	F
S3W – Single Seal	21	7-3/8	15-7/16	11-1/2	9-1/8	2-3/4
S3W – Dual Seal	22-3/4	7-3/8	15-7/16	11-1/2	9-1/8	2-3/4

ALL DIMENSIONS IN INCHES
 NOTE: CASTING DIMENSIONS MAY VARY ± 1/8"